



US00D342914S

# United States Patent [19]

[11] Patent Number: **Des. 342,914**

Grieco

[45] Date of Patent: **\*\* Jan. 4, 1994**

[54] ESCALATOR MOTION DETECTING CONTROL DEVICE

Primary Examiner—Kay H. Chin  
Attorney, Agent, or Firm—Terry M. Gernstein

[76] Inventor: **Bob Grieco**, 400 4th Washington Ave., Hawthorne, N.Y. 10532

[57] CLAIM

[\*\*] Term: **14 Years**

The ornamental design for an escalator motion detecting control device, as shown and described.

[21] Appl. No.: **781,284**

### DESCRIPTION

[22] Filed: **Oct. 23, 1991**

FIG. 1 is a perspective view of the escalator motion detecting control device embodying the design of the present invention;

[52] U.S. Cl. .... **D10/106; D34/30**

FIG. 2 is a front elevational view thereof;

[58] Field of Search ..... 198/321, 322, 323; 340/693; D34/29, 30, 28; D10/104, 106

FIG. 3 is a rear elevational view thereof;

[56] **References Cited**

### U.S. PATENT DOCUMENTS

D. 319,196	8/1991	Hwang	.....	D10/106
1,438,112	12/1922	Hendricks	.....	198/322
1,985,563	12/1934	FitzGerald	.....	198/322
4,499,986	2/1985	Tsuboi	.....	198/322

FIG. 4 is a side elevational view thereof, the side opposite being a mirror image of the side shown in FIG. 4;

FIG. 5 is a top plan view thereof;

FIG. 6 is a bottom view thereof; and,

FIG. 7 is a perspective view showing the placement of the device with respect to an escalator, with the escalator being shown in broken lines as it is not part of the claimed invention.

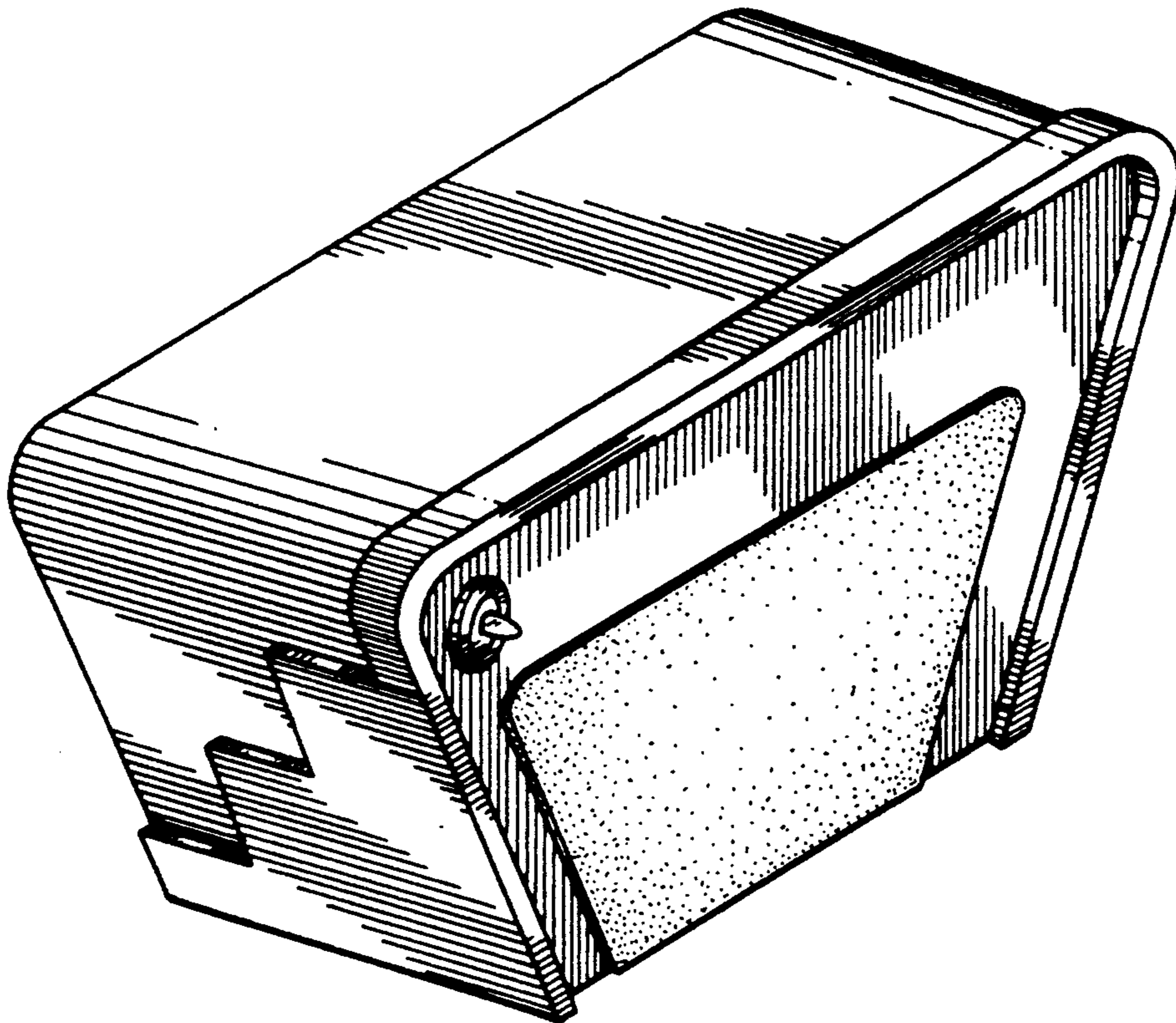


FIG. 1.

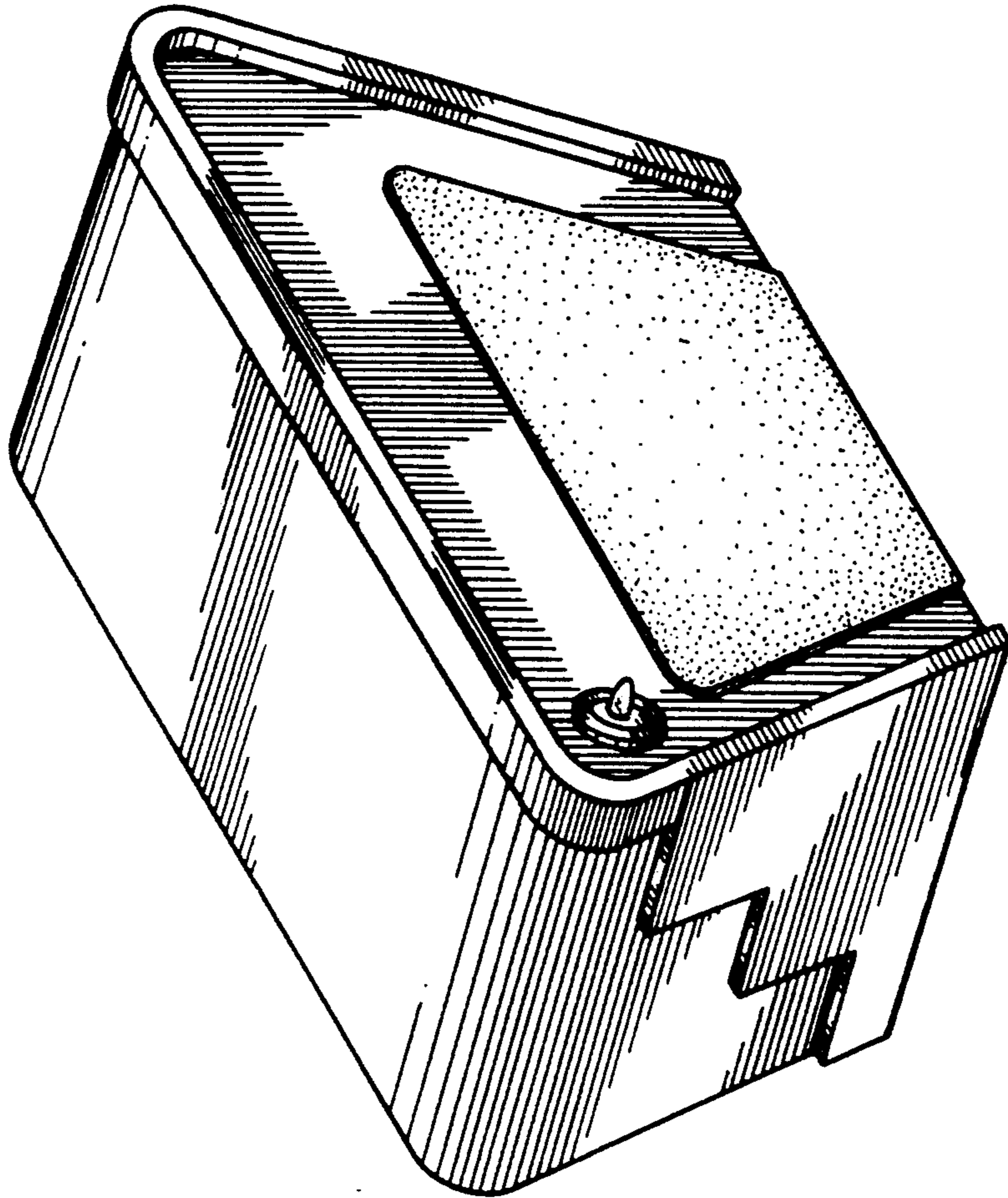


FIG. 4.

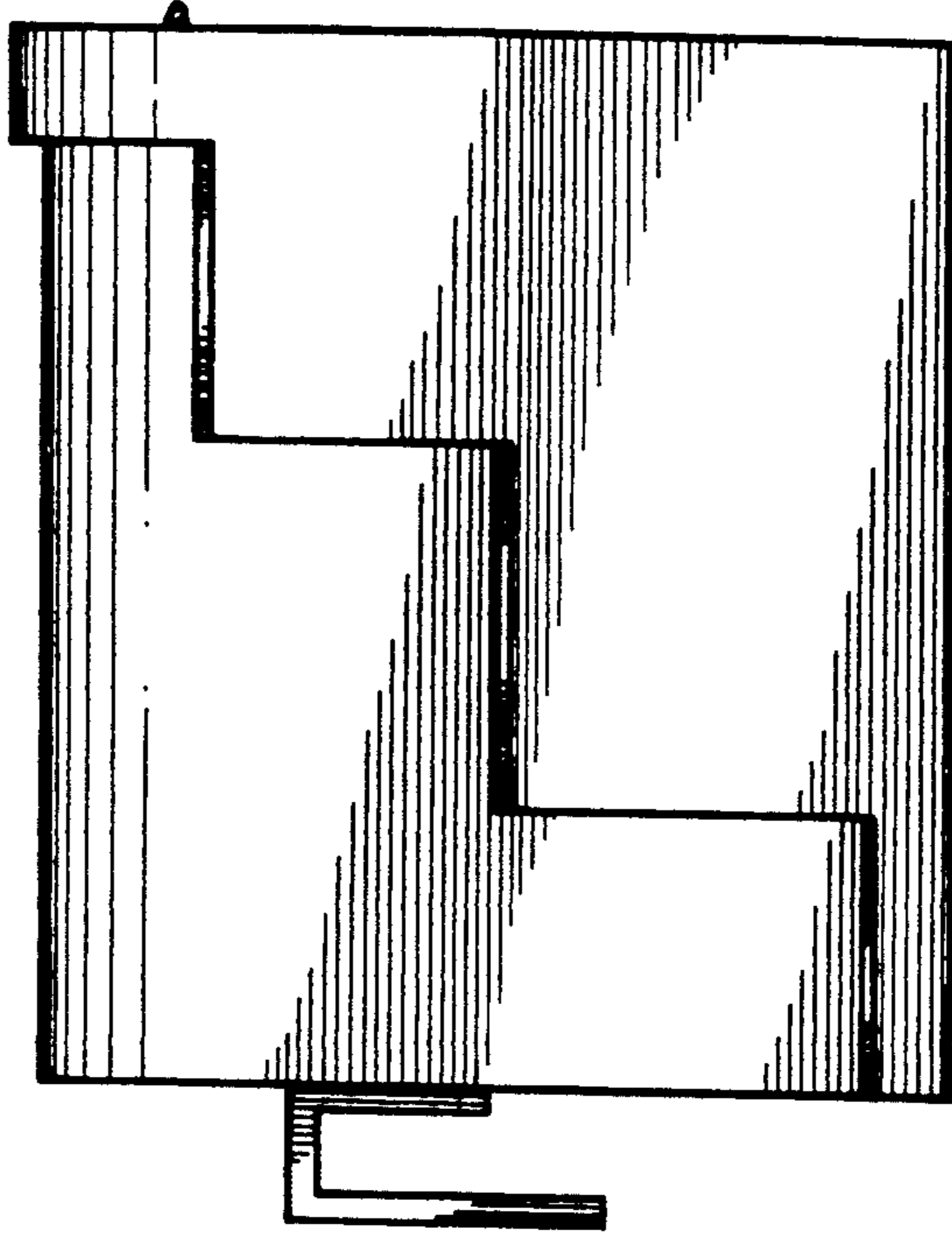


FIG. 2.

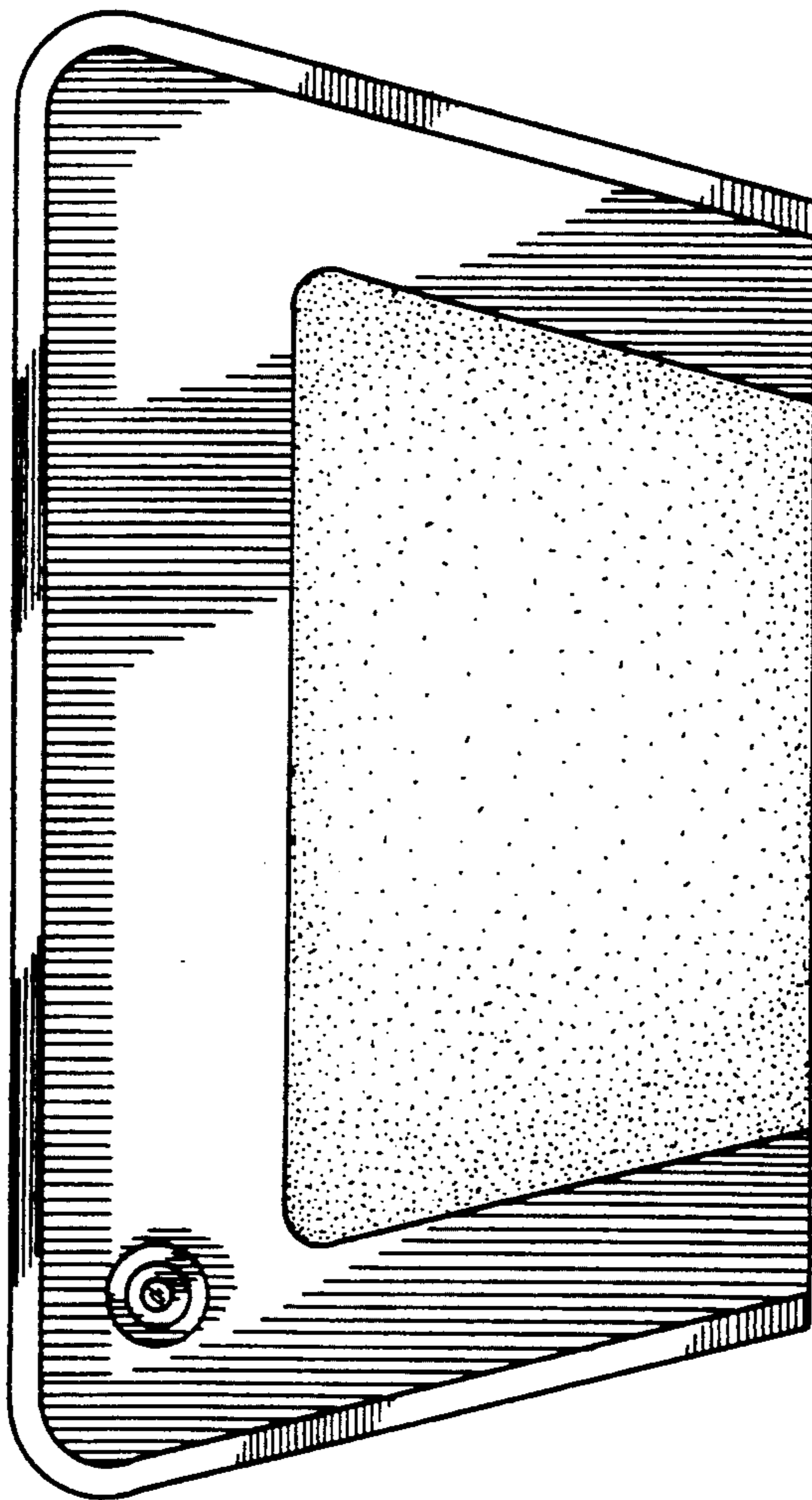


FIG. 3.

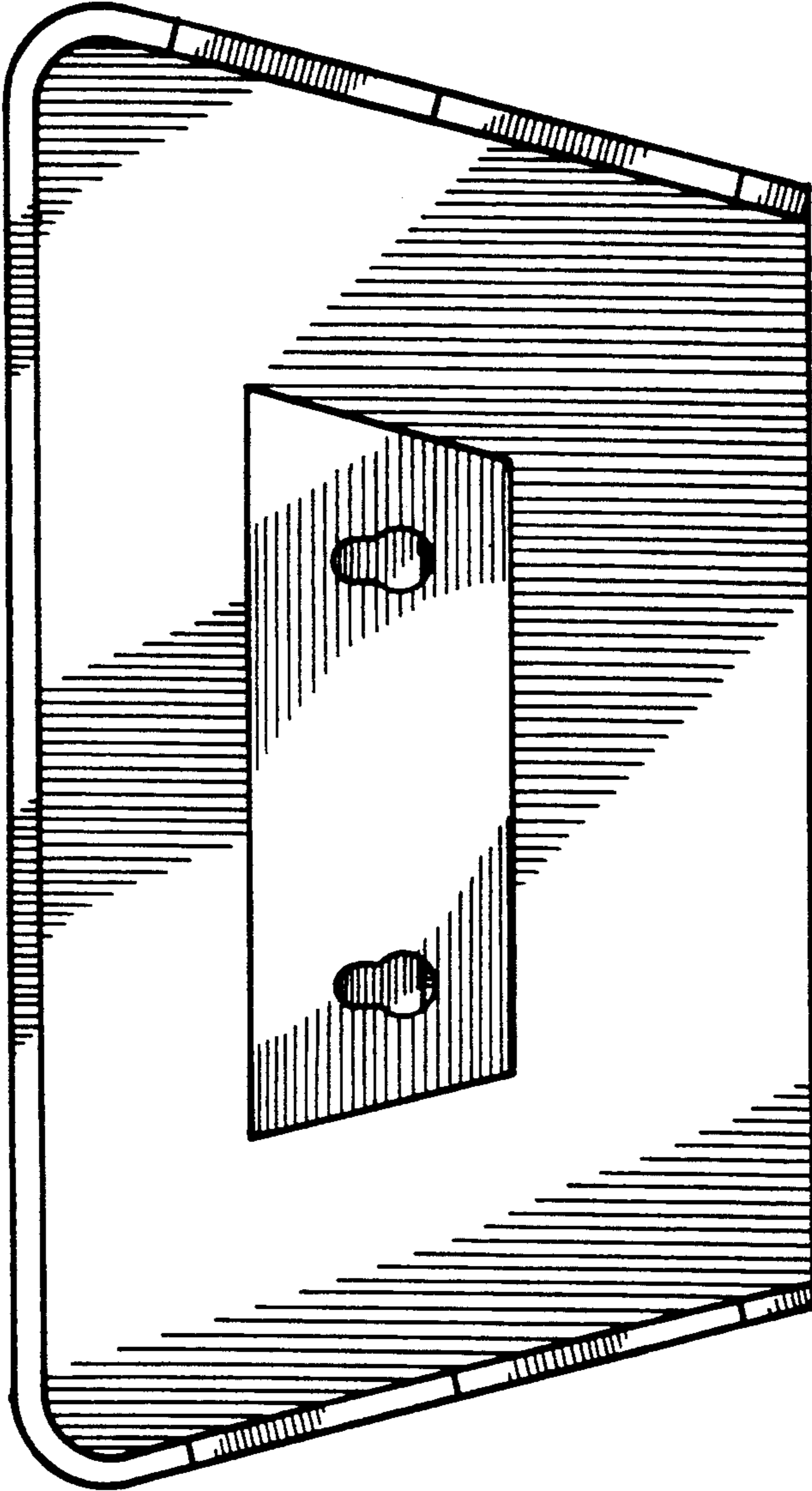




FIG. 5:

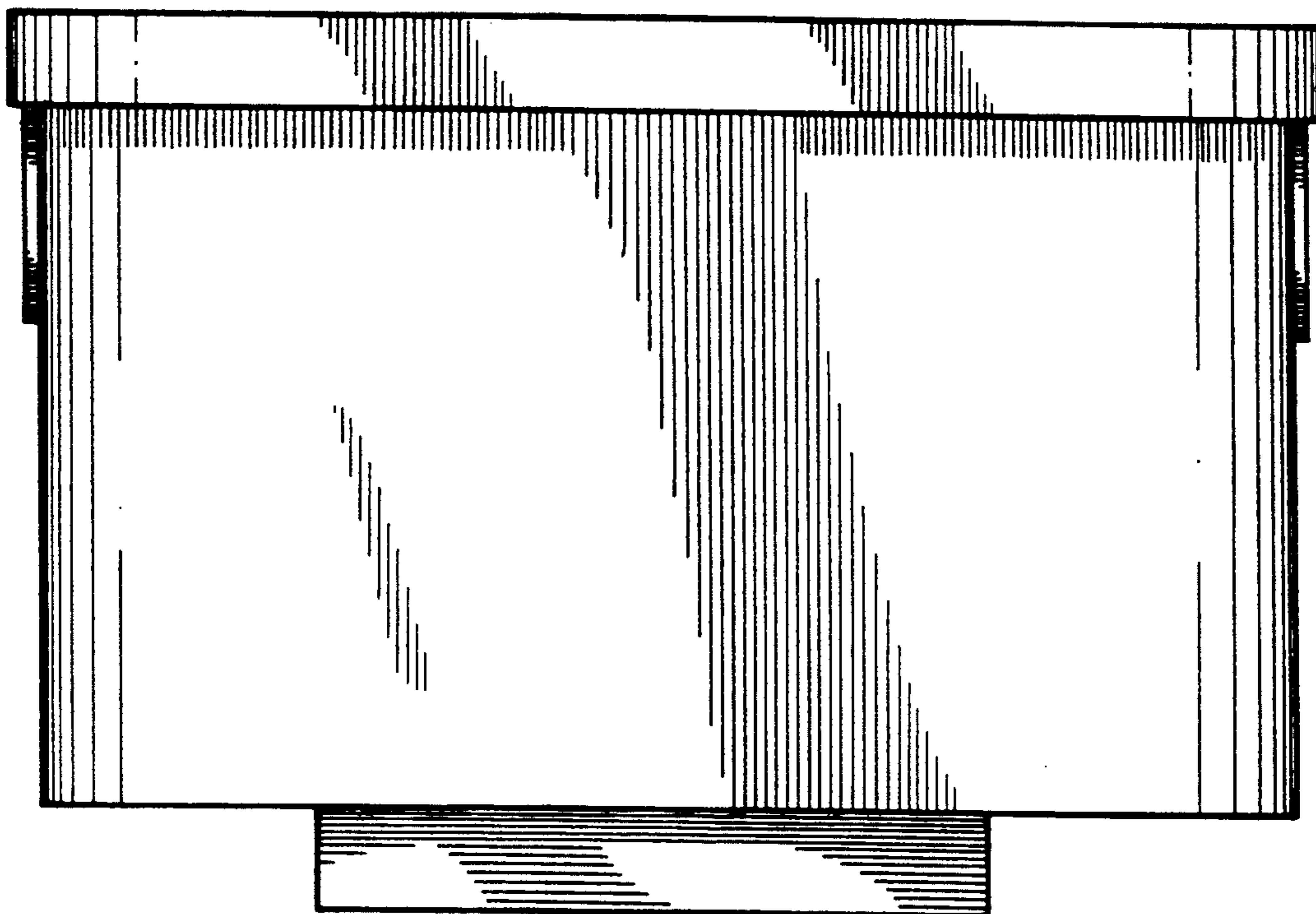


FIG. 6

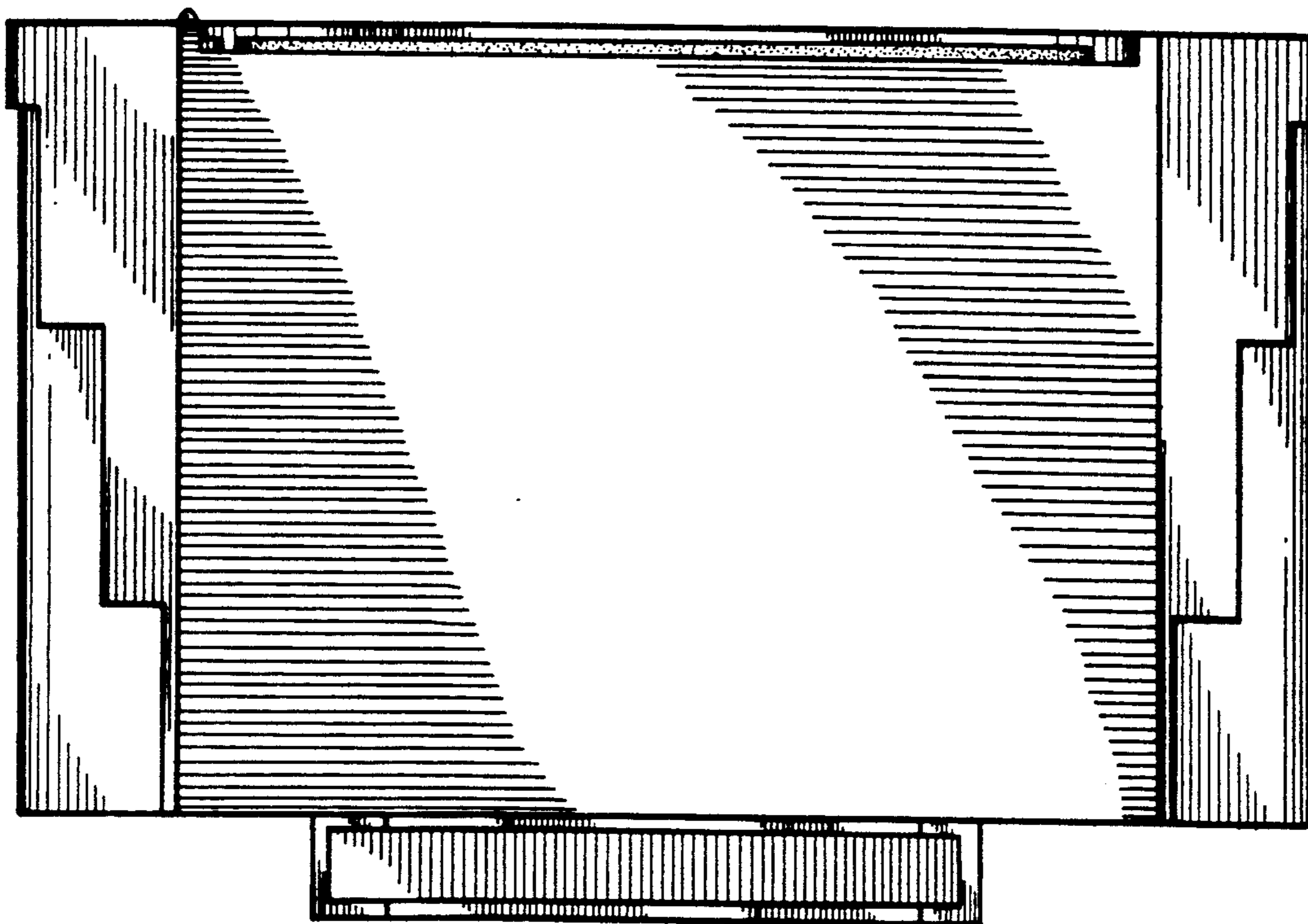


FIG. 7.

