



US00D342913S

# United States Patent [19]

[11] Patent Number: **Des. 342,913**

Loughlin

[45] Date of Patent: **\*\* Jan. 4, 1994**

[54] **FLASHING STROBE LIGHT FOR FIREFIGHTER'S LADDER**

*Attorney, Agent, or Firm—Walter G. Finch*

[76] Inventor: **Bernard M. Loughlin**, Box 385, Sayville, N.Y. 11782

[57] **CLAIM**

The ornamental design for a flashing strobe light for firefighter's ladder, as shown and described.

[\*\*] Term: **14 Years**

**DESCRIPTION**

[21] Appl. No.: **834,716**

FIG. 1 is a perspective view of a flashing strobe light for firefighter's ladder incorporating features of this design; FIG. 2 is a side view of the flashing strobe light for firefighter's ladder of FIG. 1;

[22] Filed: **Feb. 12, 1992**

[52] U.S. Cl. .... **D10/114; D26/37**

FIG. 3 is a front view of the flashing strobe light for firefighter's ladder of FIG. 1;

[58] Field of Search ..... 362/157, 158, 183, 190, 362/191, 396, 119; 340/321; D26/24, 37, 40; D10/114

FIG. 4 is a bottom view of the flashing strobe light for firefighter's ladder of FIG. 1;

[56] **References Cited**

**U.S. PATENT DOCUMENTS**

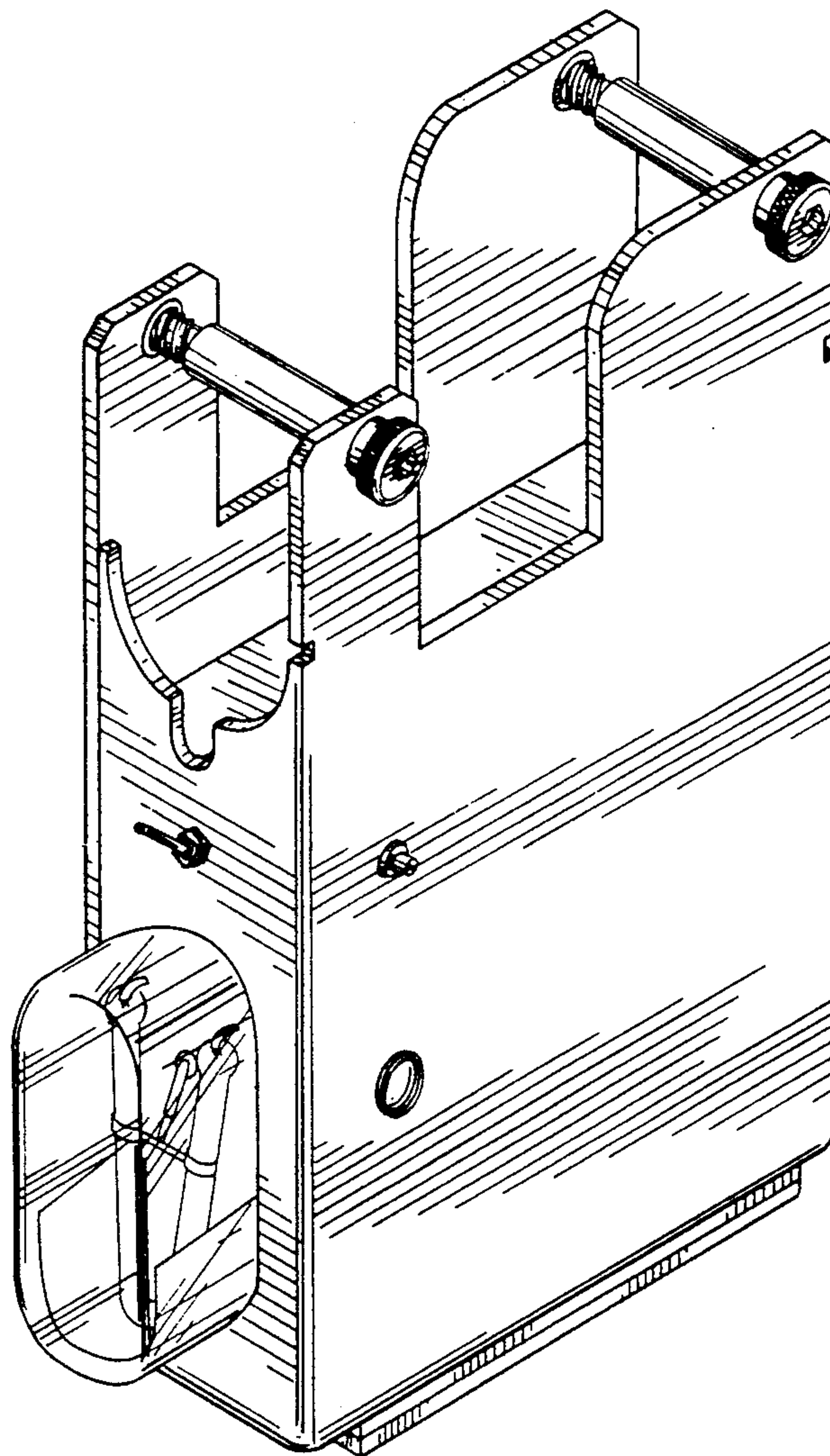
4,090,185	5/1978	Patty .....	340/321
4,766,525	8/1988	Loughlin .....	362/191 X
4,827,245	5/1989	Lipman .....	340/321

FIG. 5 is the opposite side view of the flashing strobe light for firefighter's ladder of FIG. 2;

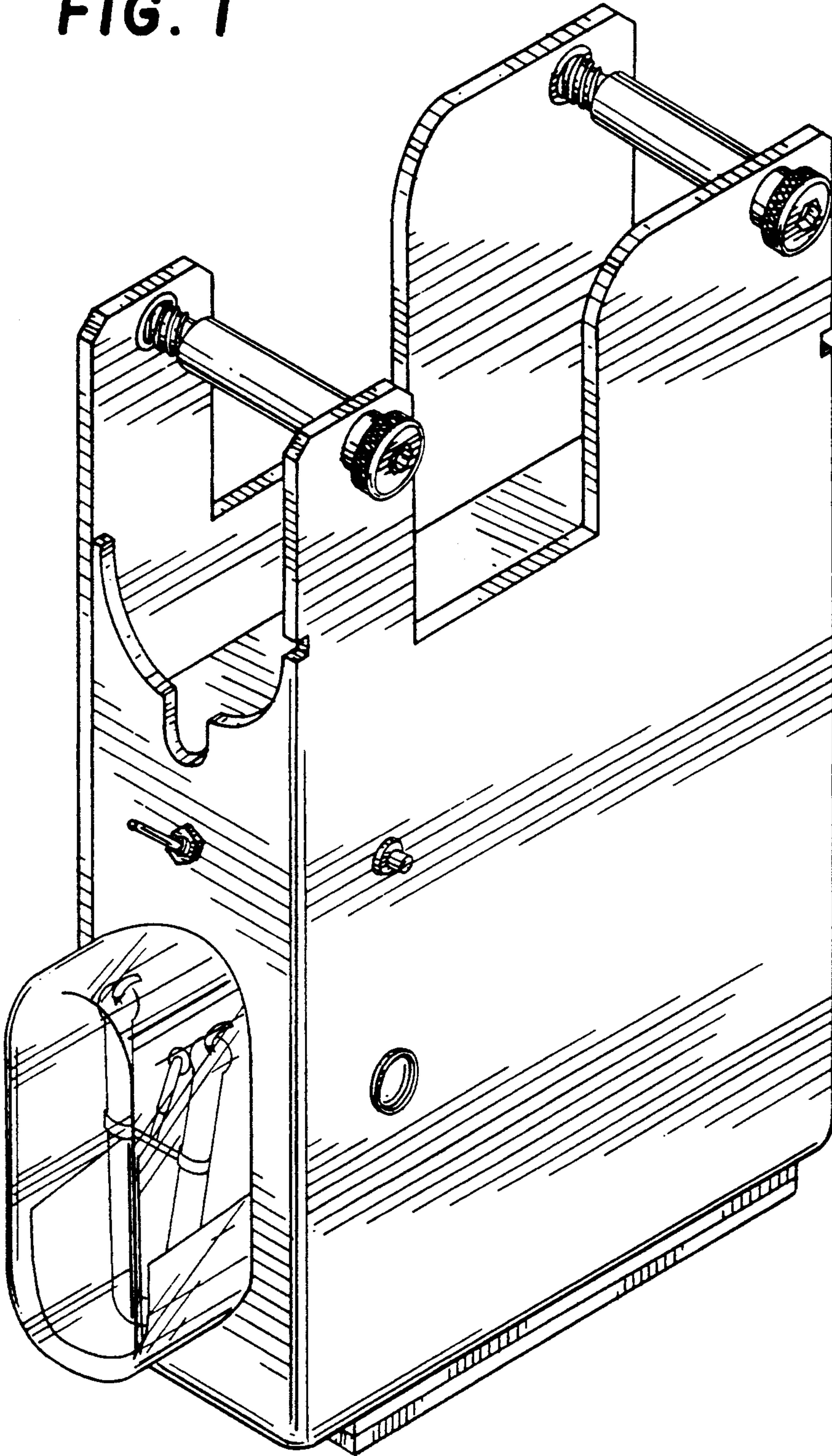
FIG. 6 is the rear view of the flashing strobe light for firefighter's ladder of FIG. 3; and,

FIG. 7 is the top view of the flashing strobe light for firefighter's ladder.

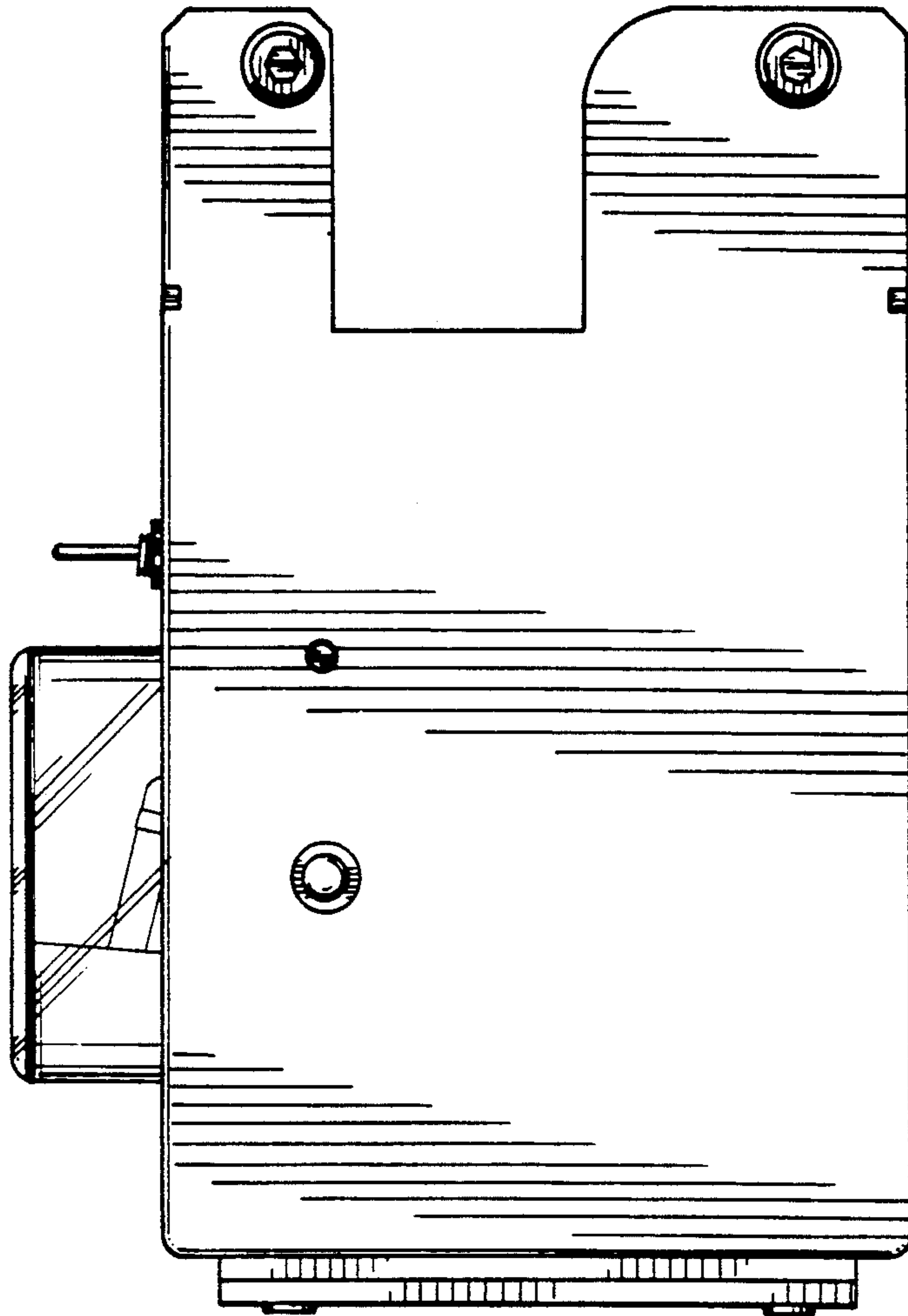
*Primary Examiner—Susan J. Lucas*



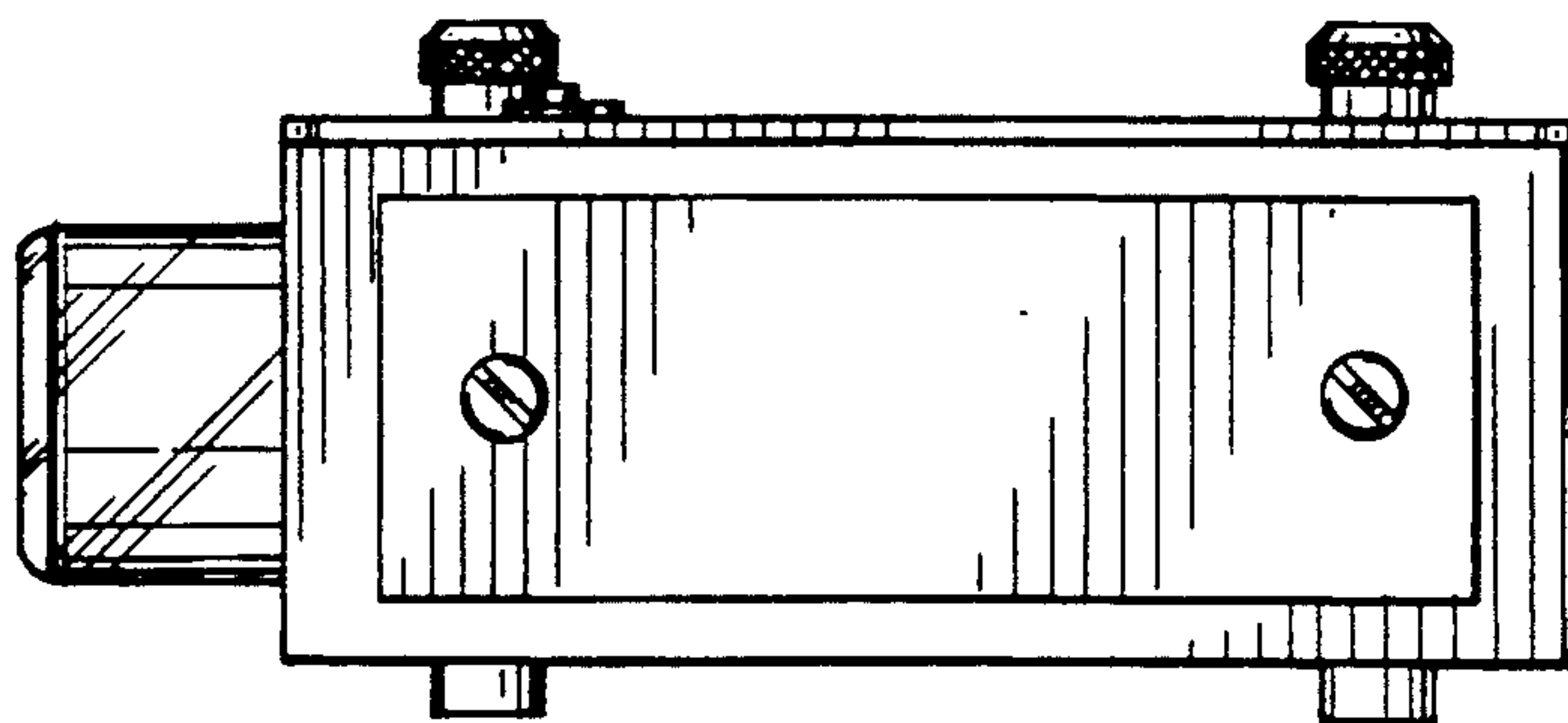
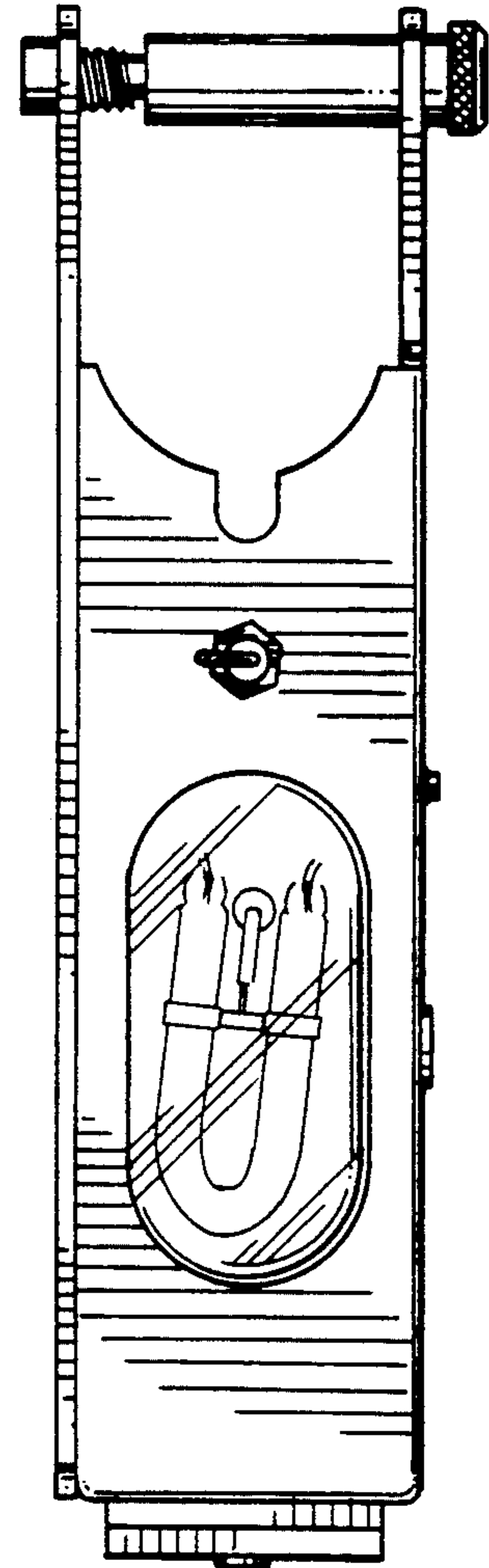
**FIG. 1**



**FIG. 2**



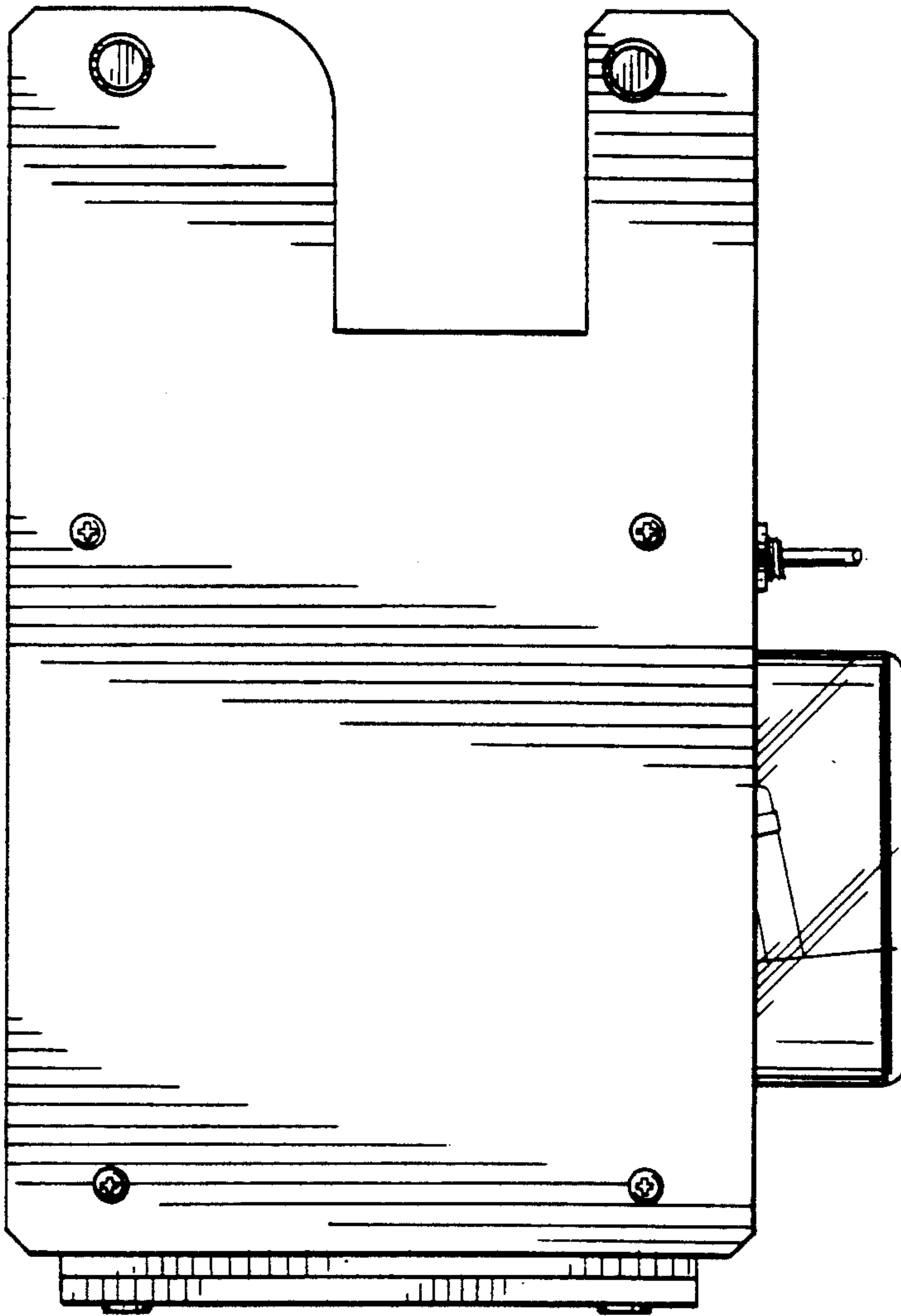
**FIG. 3**



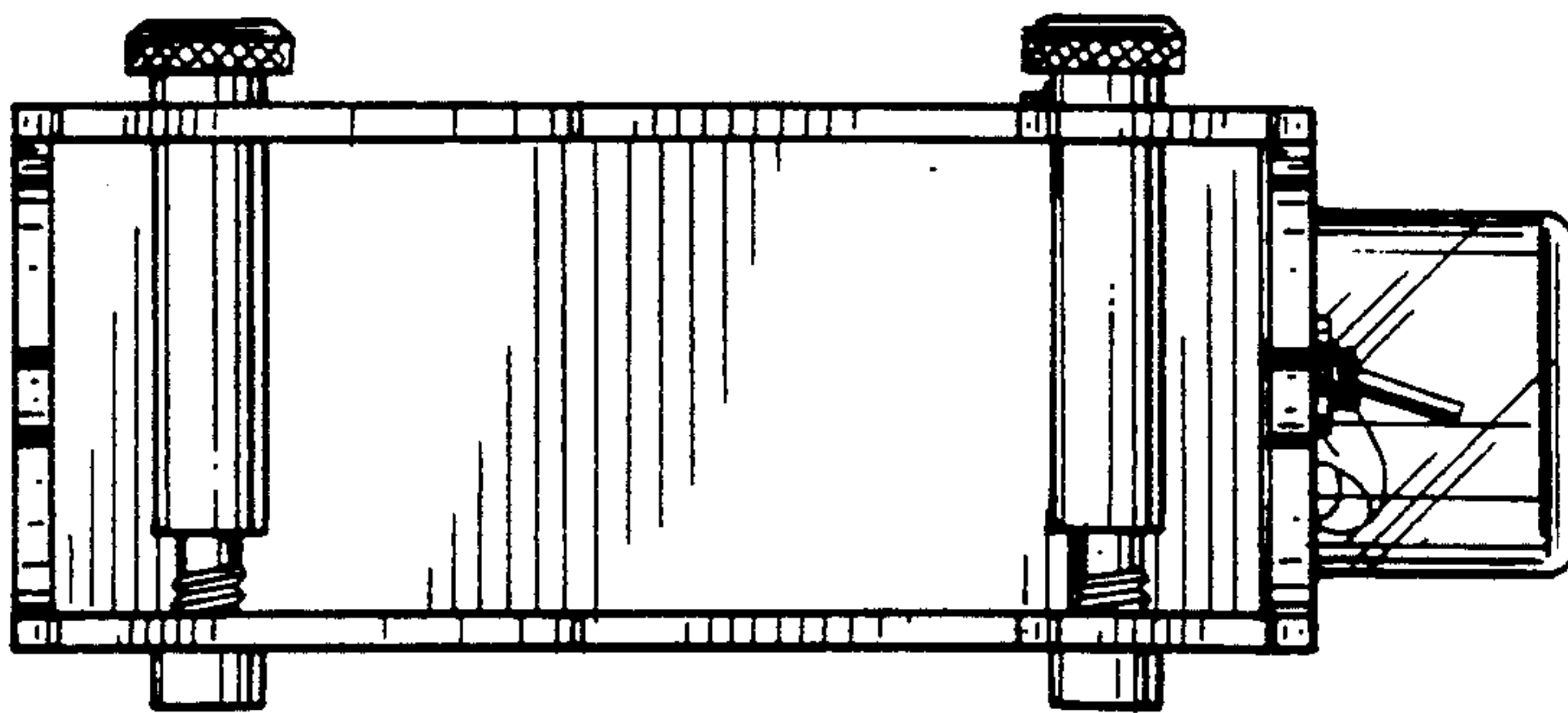
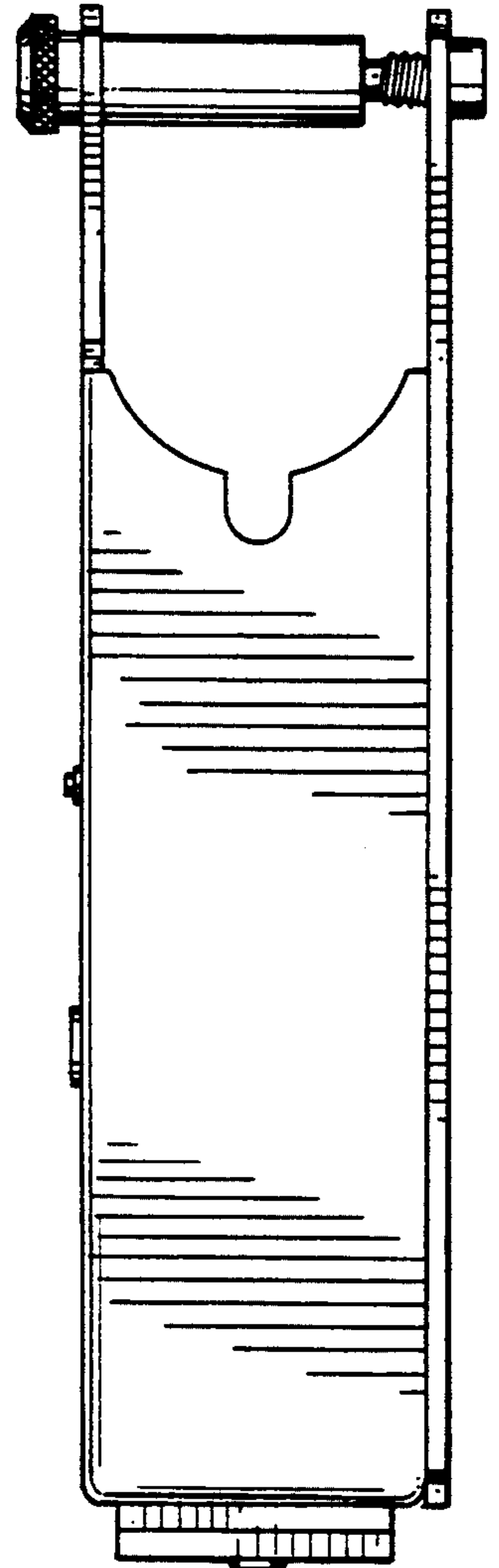
**FIG. 4**



**FIG. 5**



**FIG. 6**



**FIG. 7**