



US00D342907S

United States Patent [19]

[11] Patent Number: **Des. 342,907**

Kamatsuda

[45] Date of Patent: **** Jan. 4, 1994**

[54] **AUTOMATIC DRAFTING MACHINE**

[75] Inventor: **Satoshi Kamatsuda**, Tokyo, Japan

[73] Assignee: **Mutoh Industries Ltd.**, Tokyo, Japan

[**] Term: **14 Years**

[21] Appl. No.: **764,404**

[22] Filed: **Sep. 23, 1991**

[30] **Foreign Application Priority Data**

May 17, 1991 [JP] Japan 3-14375

[52] U.S. Cl. **D10/63; D10/46**

[58] Field of Search 33/1B, 1C, 1M, 1X; 226/95; 271/194; 346/29, 112, 134, 139; D10/46, 63

[56] **References Cited**

U.S. PATENT DOCUMENTS

- D. 295,613 5/1988 Tanner D10/46
- D. 305,208 12/1989 Ross et al. D10/46
- D. 307,725 5/1990 Paik D10/46
- D. 325,572 4/1992 Chen D10/46 X
- D. 332,623 1/1993 Iwanaga D18/52

OTHER PUBLICATIONS

Mutoh; various personal plotters; brochure.

Mutoh-Exciting Products Ver. 8; various personal plotters; brochure.

Primary Examiner—Nelson C. Holtje
Assistant Examiner—Antoine D. Davis
Attorney, Agent, or Firm—Sughrue, Mion, Zinn, Macpeak & Seas

[57] **CLAIM**

The ornamental design for a automatic drafting machine, as shown.

DESCRIPTION

FIG. 1 is a perspective view of the automatic drafting machine;

FIG. 2 is a perspective view of the automatic drafting machine, this perspective view of automatic drafting machine cover opens;

FIG. 3 is a front view of the automatic drafting machine;

FIG. 4 is a plan view of the automatic drafting machine;

FIG. 5 is a right view of the automatic drafting machine;

FIG. 6 is a left view of the automatic drafting machine;

FIG. 7 is a back view of the automatic drafting machine; and,

FIG. 8 is a bottom view of the automatic drafting machine.

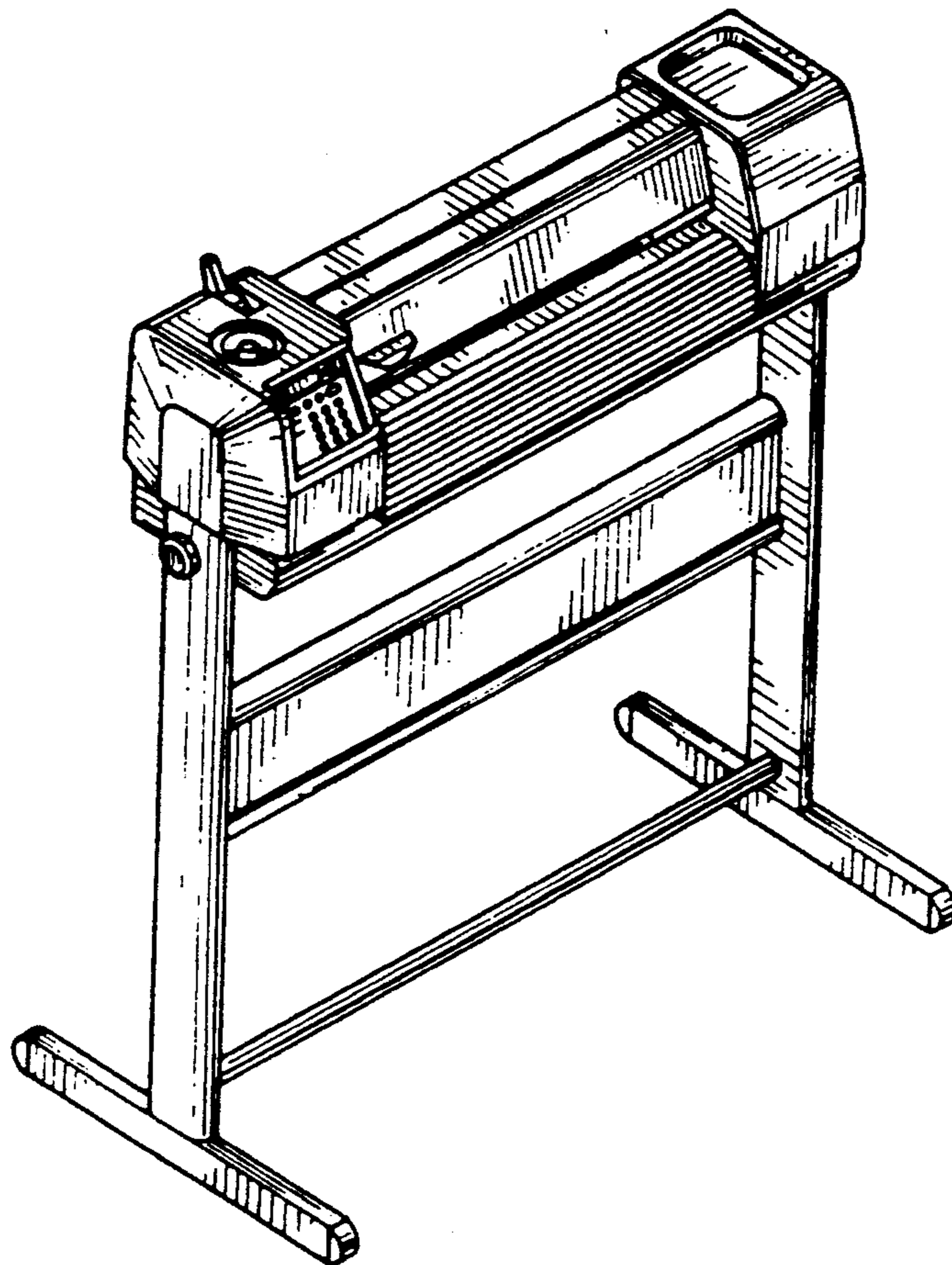


FIG. 1

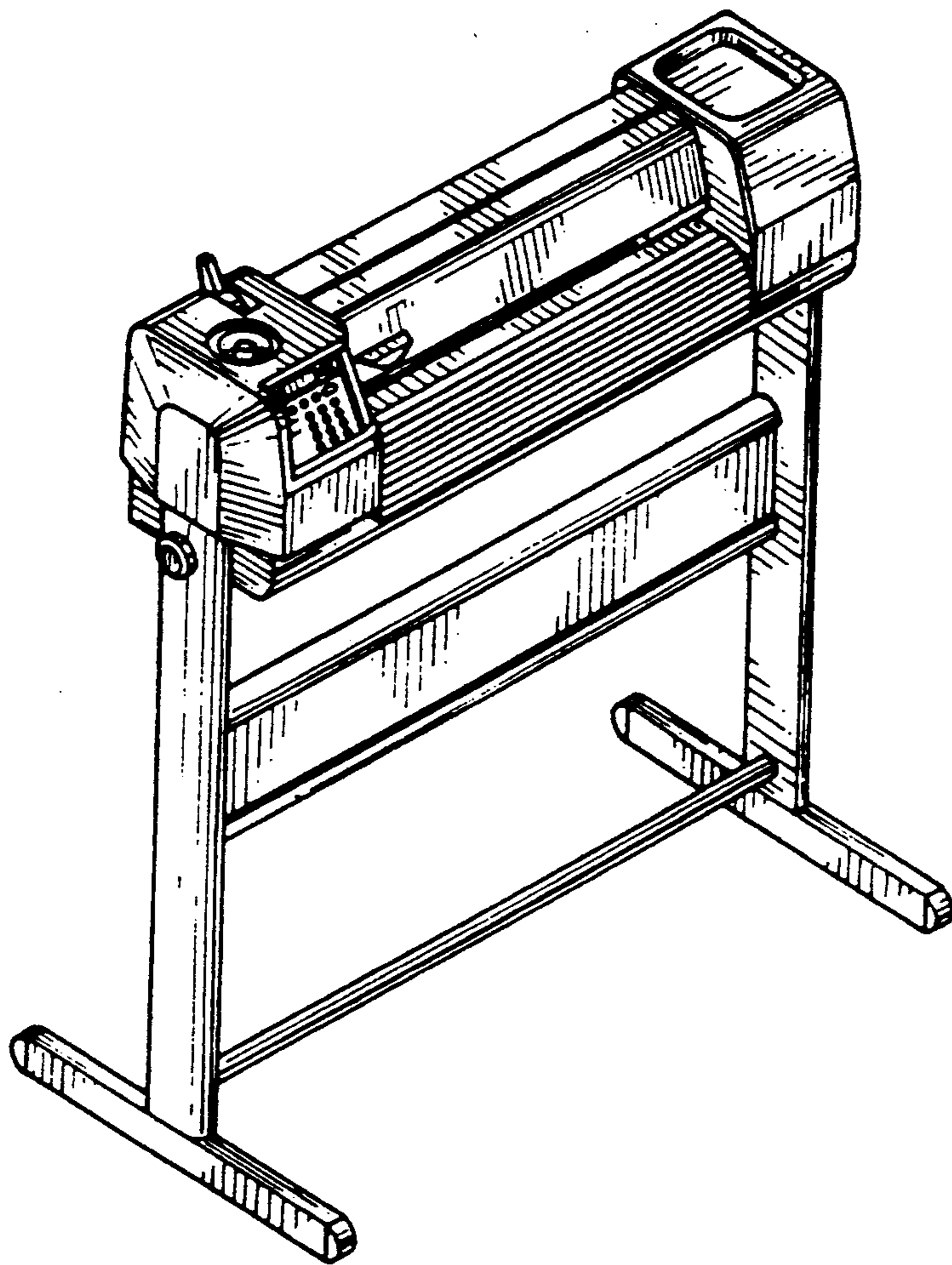


FIG. 2

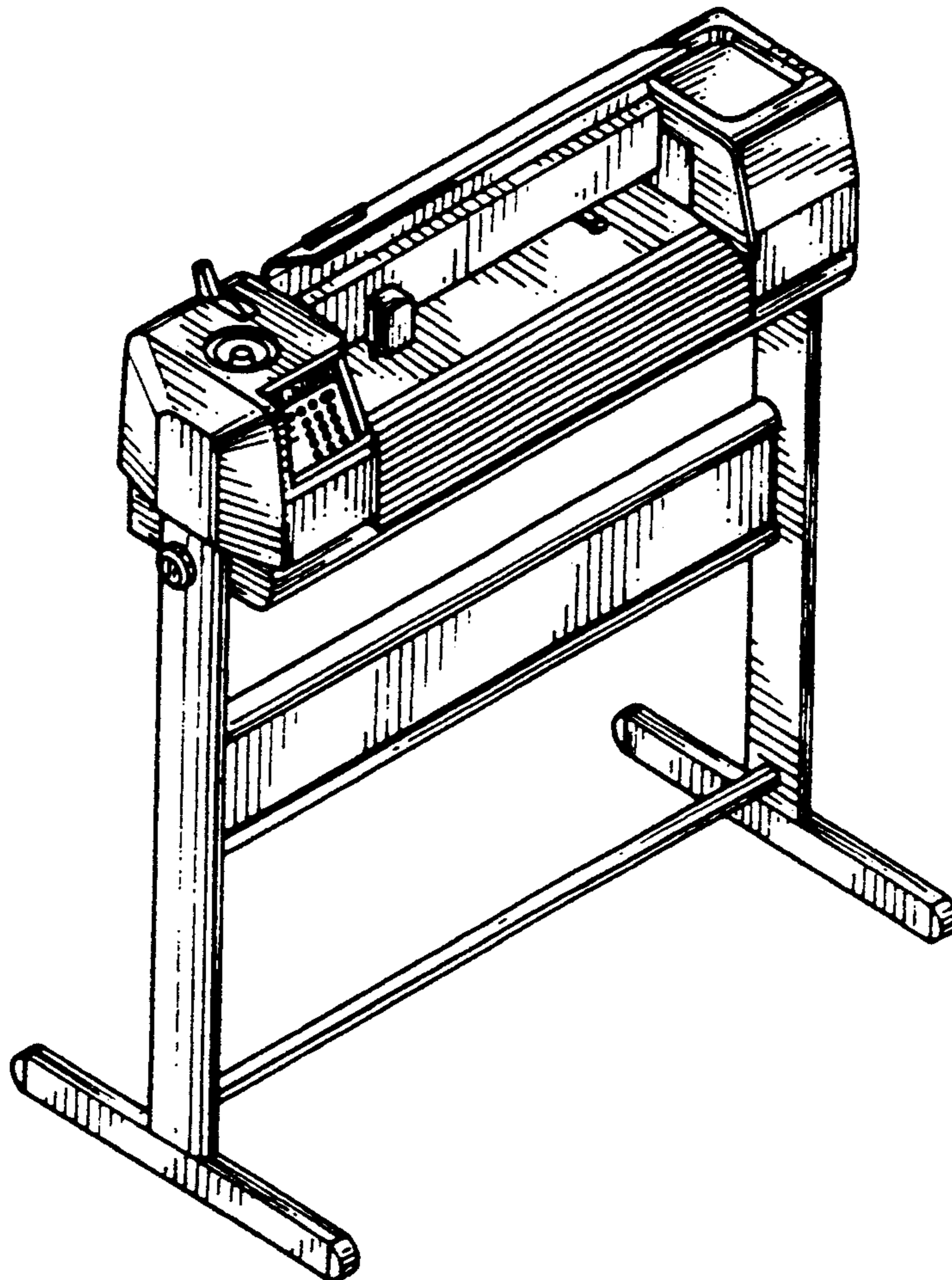


FIG. 3

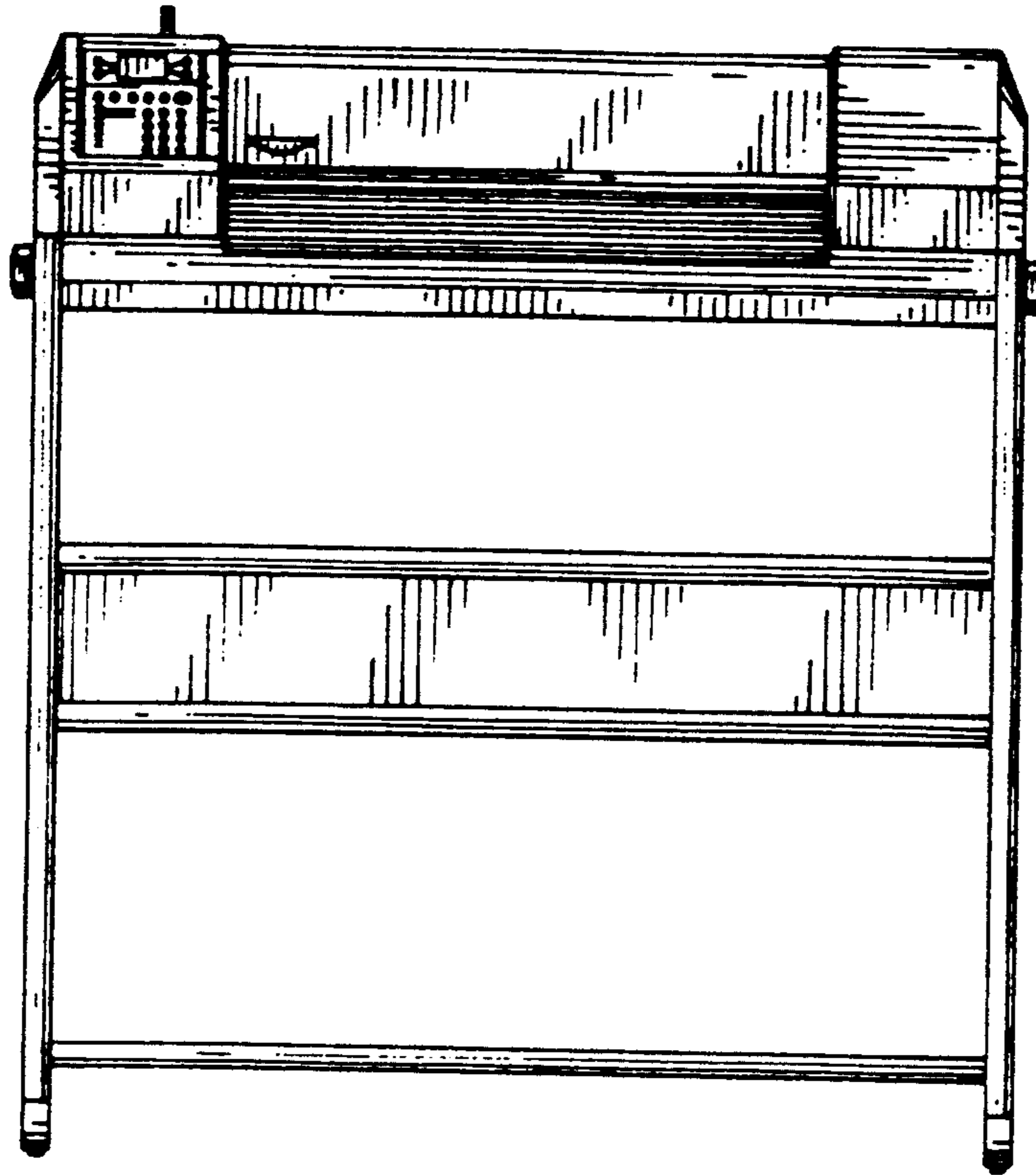


FIG. 4

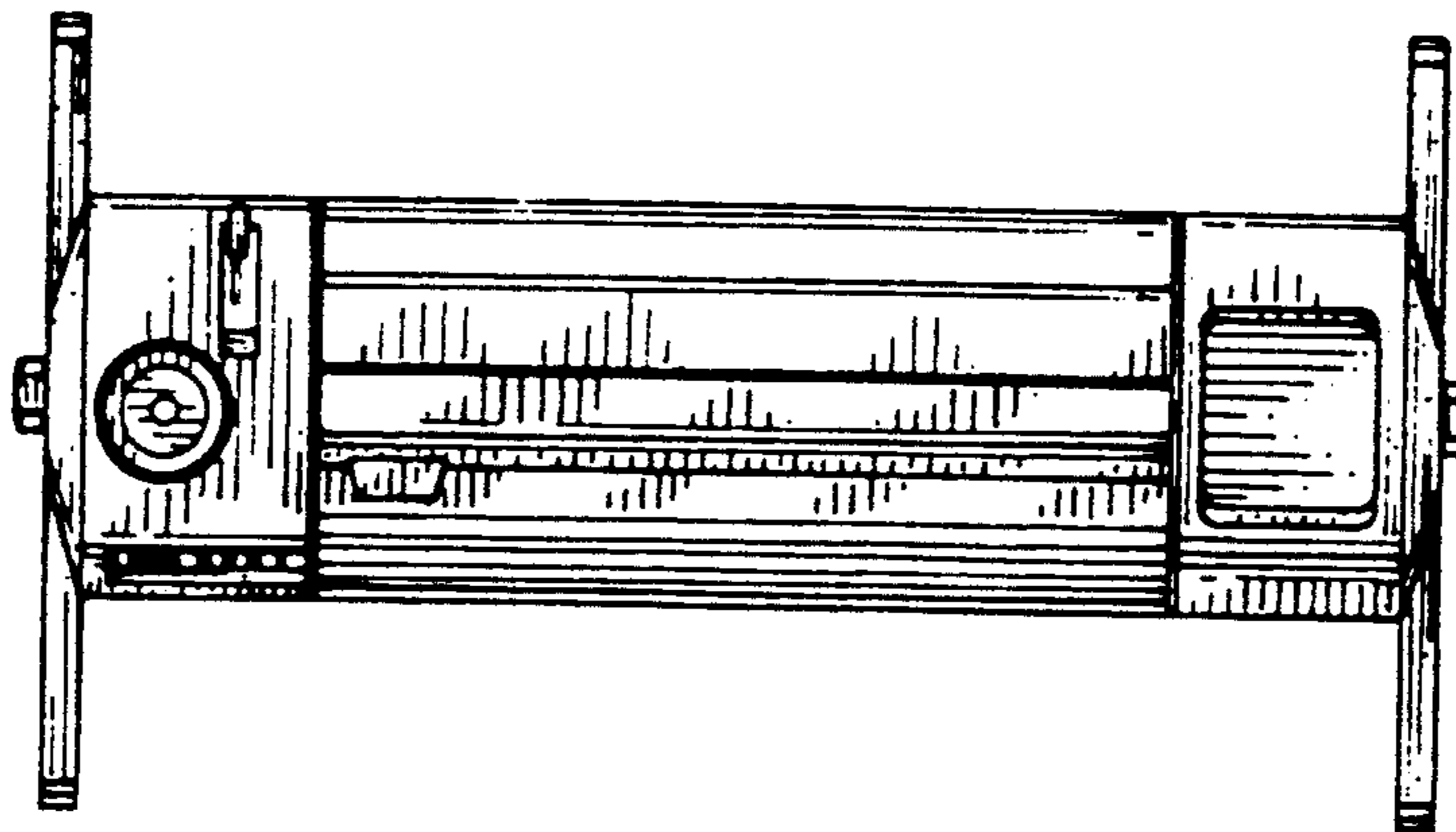


FIG. 5

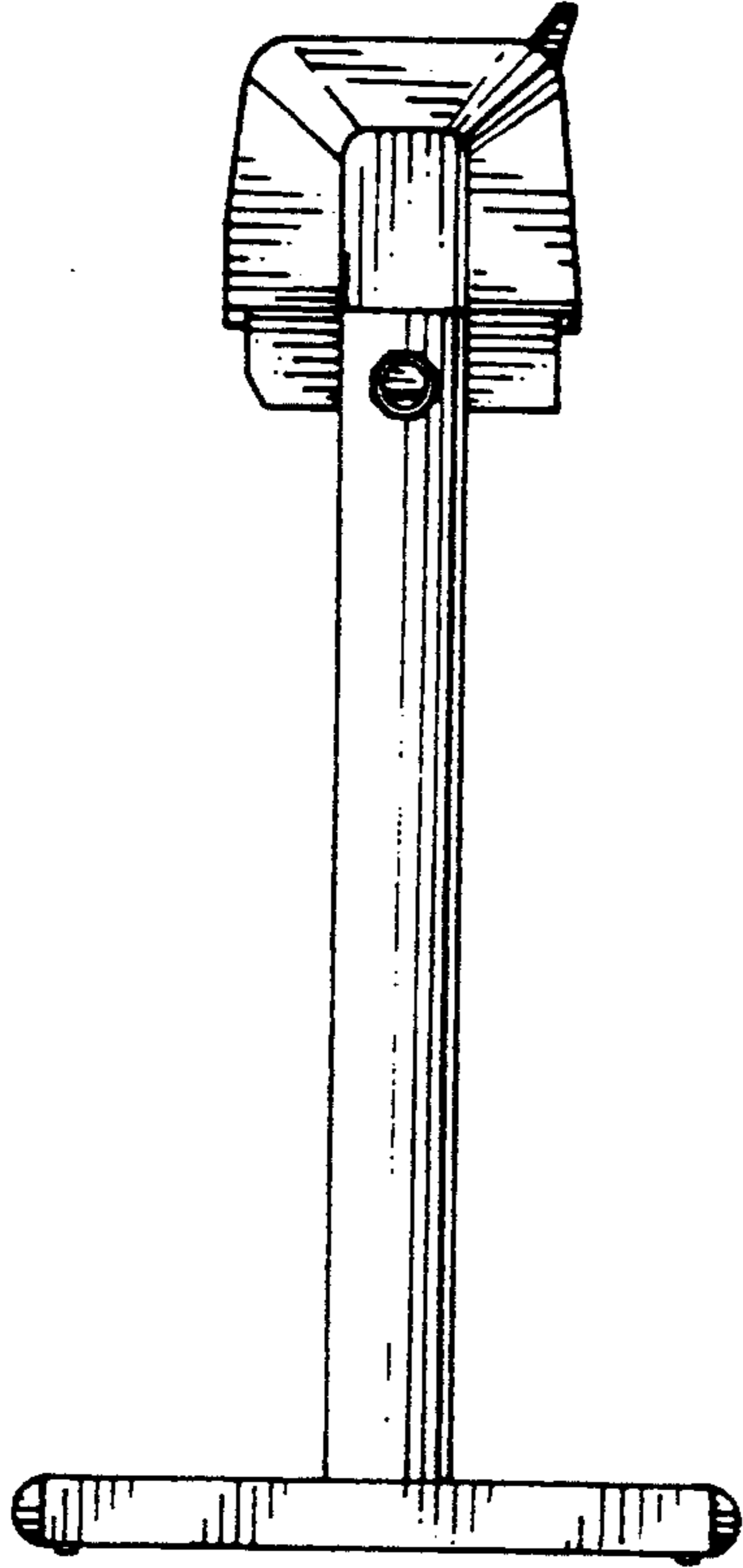


FIG. 6

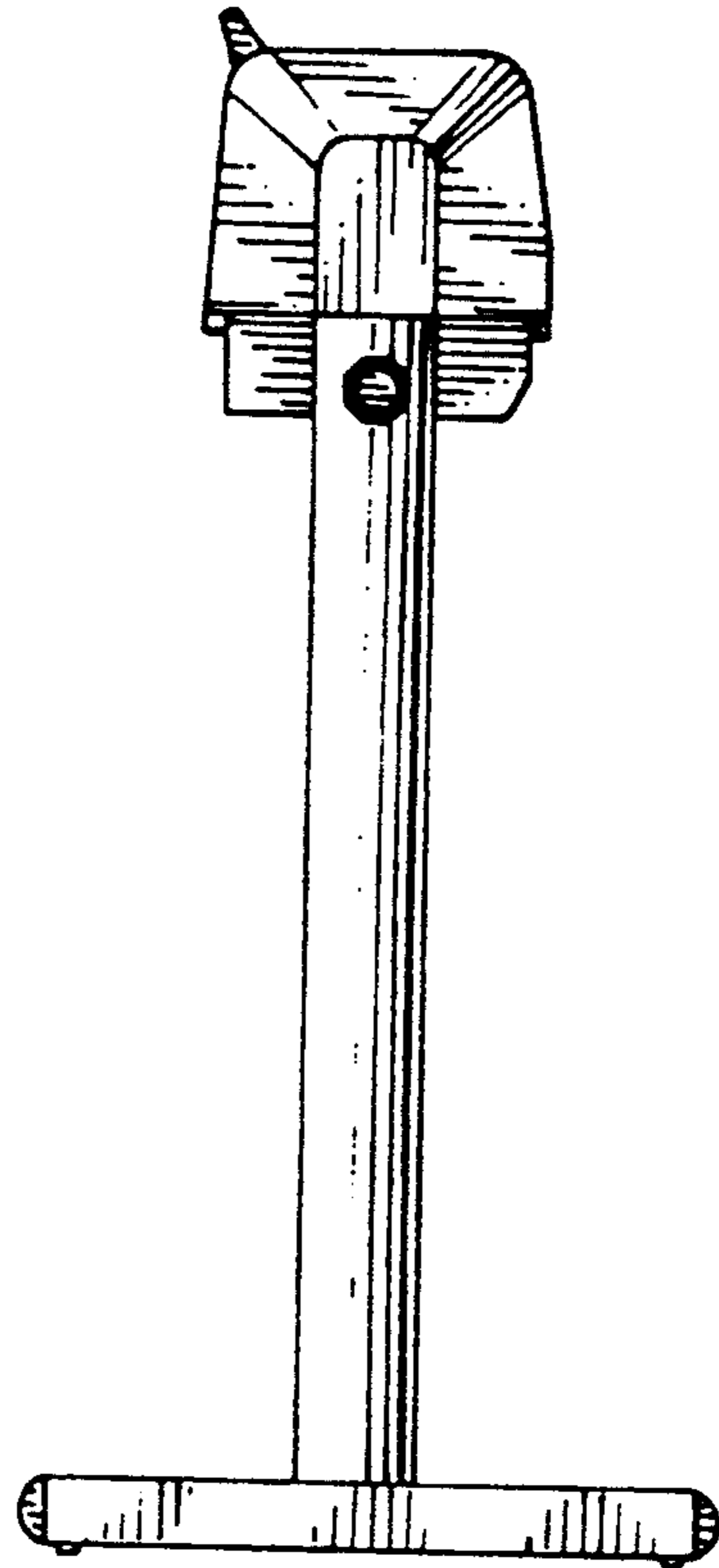


FIG. 7

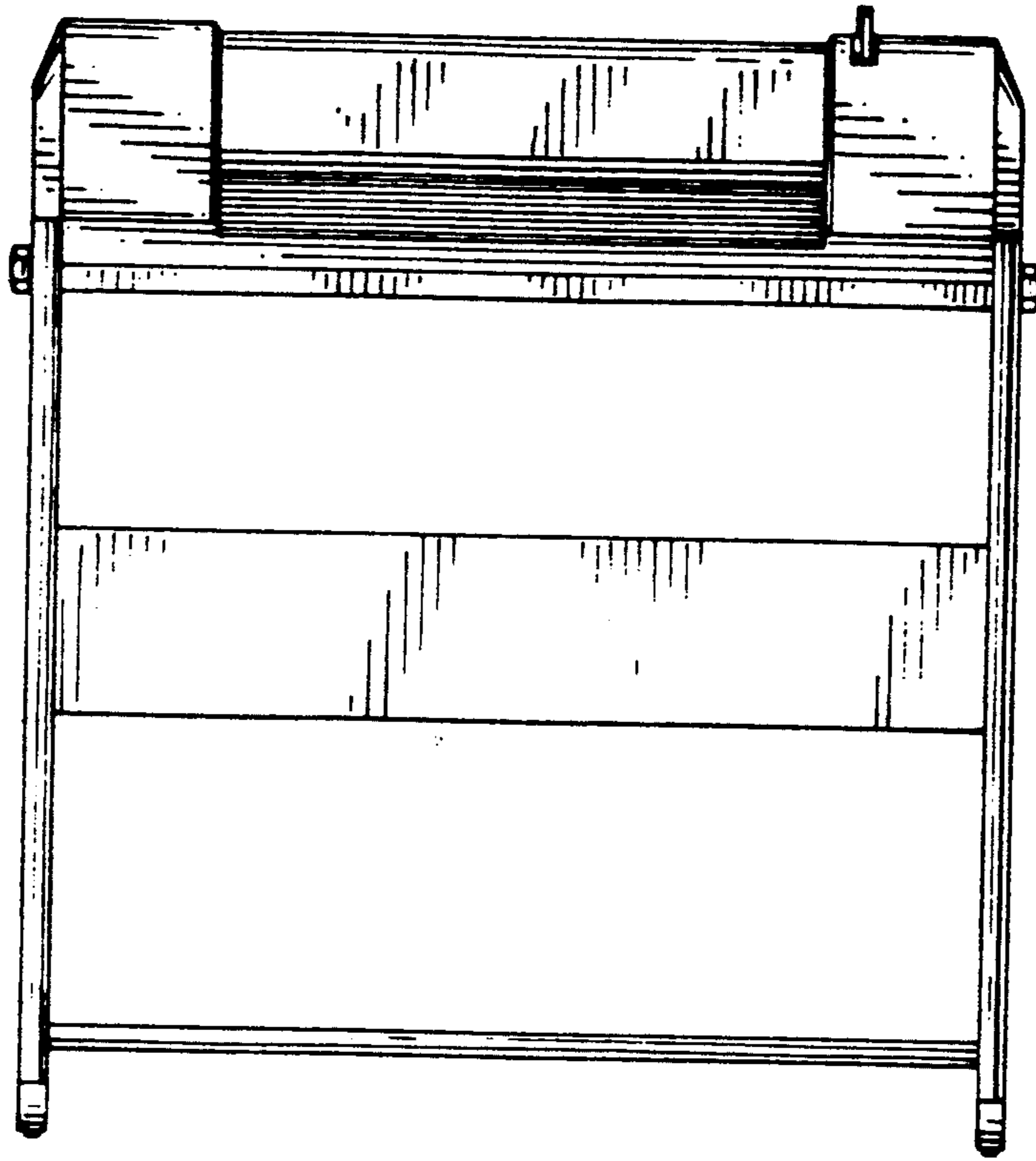


FIG. 8

