



US00D342898S

United States Patent [19] Cane

[11] Patent Number: **Des. 342,898**
[45] Date of Patent: **** Jan. 4, 1994**

[54] **POURING DEVICE FOR LIQUID**
[75] Inventor: **Michael R. Cane**, Stockton, England
[73] Assignee: **Imperial Chemical Industries Plc**,
London, England
[**] Term: **14 Years**
[21] Appl. No.: **796,239**
[22] Filed: **Nov. 22, 1991**

3,185,358 5/1965 Marler 222/475
3,212,686 10/1965 DiPierro et al. 222/472
3,672,547 6/1972 Kozlowski 222/567
3,744,675 7/1973 Song 222/545
4,750,648 6/1988 Krydiak 222/484
4,926,390 5/1990 Murzsa 366/249

FOREIGN PATENT DOCUMENTS

0034824 9/1981 European Pat. Off. B65D 5/56

OTHER PUBLICATIONS

"Moducolor" brochure by Fonder Appareils Sous of Orleans Cedex, France.

Primary Examiner—Alan P. Douglas
Assistant Examiner—Ann Hunt
Attorney, Agent, or Firm—Cushman, Darby & Cushman

[30] **Foreign Application Priority Data**
May 22, 1991 [GB] United Kingdom 2014875
[52] U.S. Cl. **D9/447**
[58] Field of Search D9/434, 435, 443, 447;
222/544, 545, 562

[57] CLAIM

The ornamental design for a pouring device for liquid, as shown and described.

DESCRIPTION

FIG. 1 is a top perspective view of a pouring device for liquid showing my new design;
FIG. 2 is a bottom perspective view thereof;
FIG. 3 is a side elevational view, the opposite side view being a mirror image thereof; and,
FIG. 4 is a top plan view thereof.

[56] **References Cited**
U.S. PATENT DOCUMENTS
D. 112,880 1/1939 Hacmac D9/443
D. 120,999 3/1940 Murdock D9/439
D. 194,890 3/1963 Marler D9/447
D. 230,140 1/1974 Schimke D9/443
1,814,083 7/1931 Flautt .
1,845,966 2/1932 Flautt .
2,272,867 2/1942 Cobel 65/31
2,886,218 5/1959 Marcus 222/517
3,168,226 2/1965 Underwood et al. 222/472

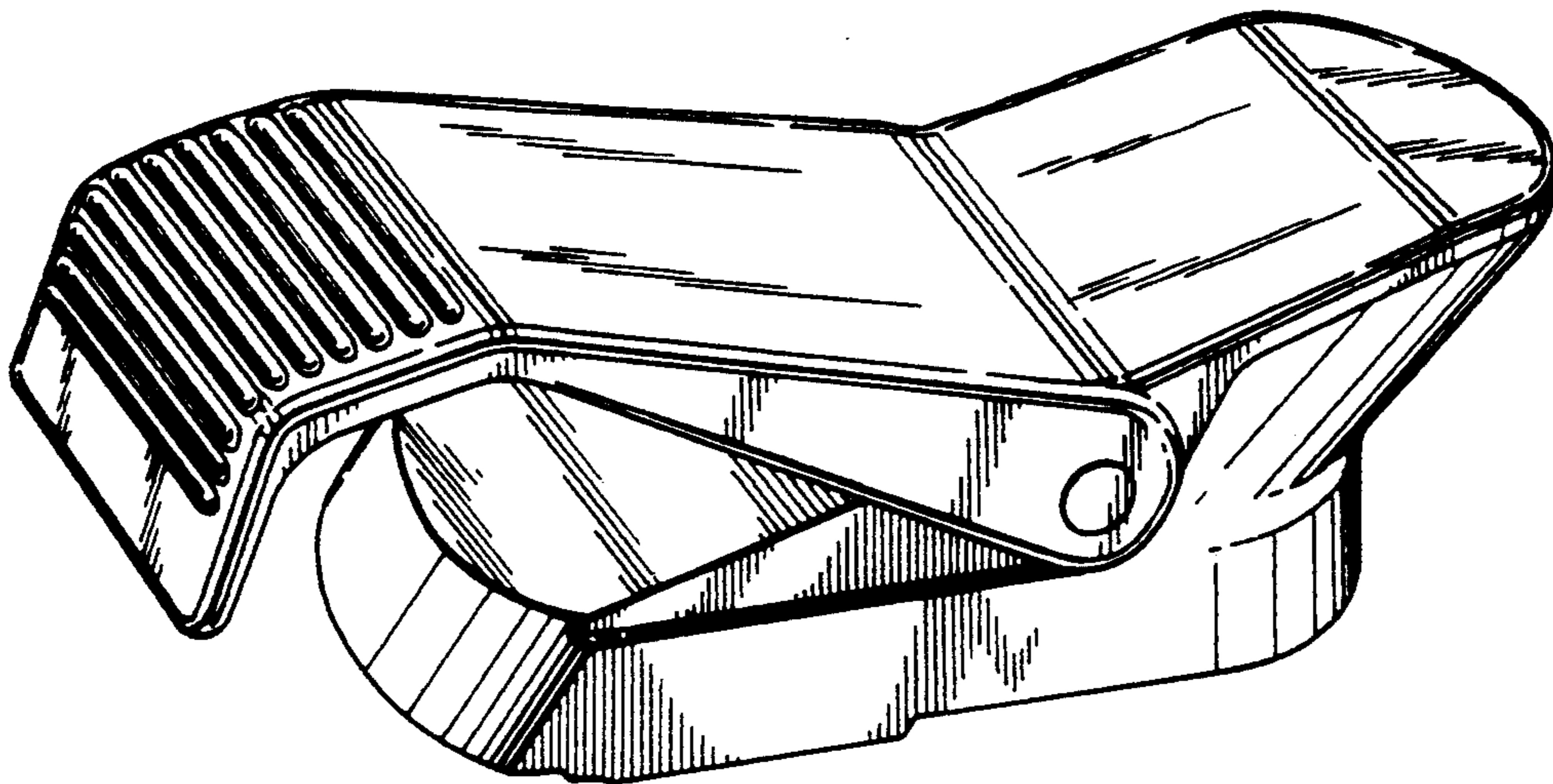


FIG. 1

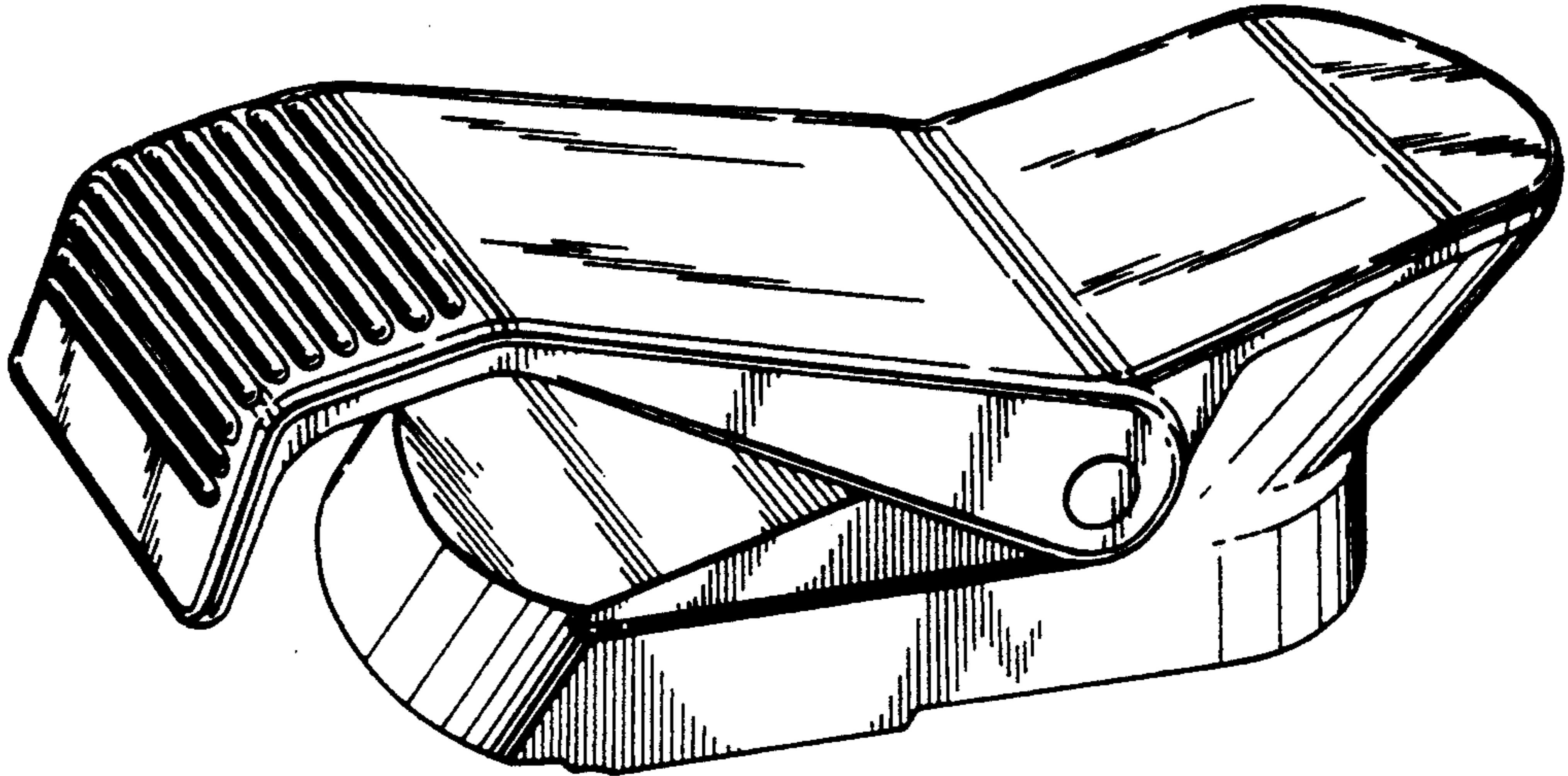


FIG. 2

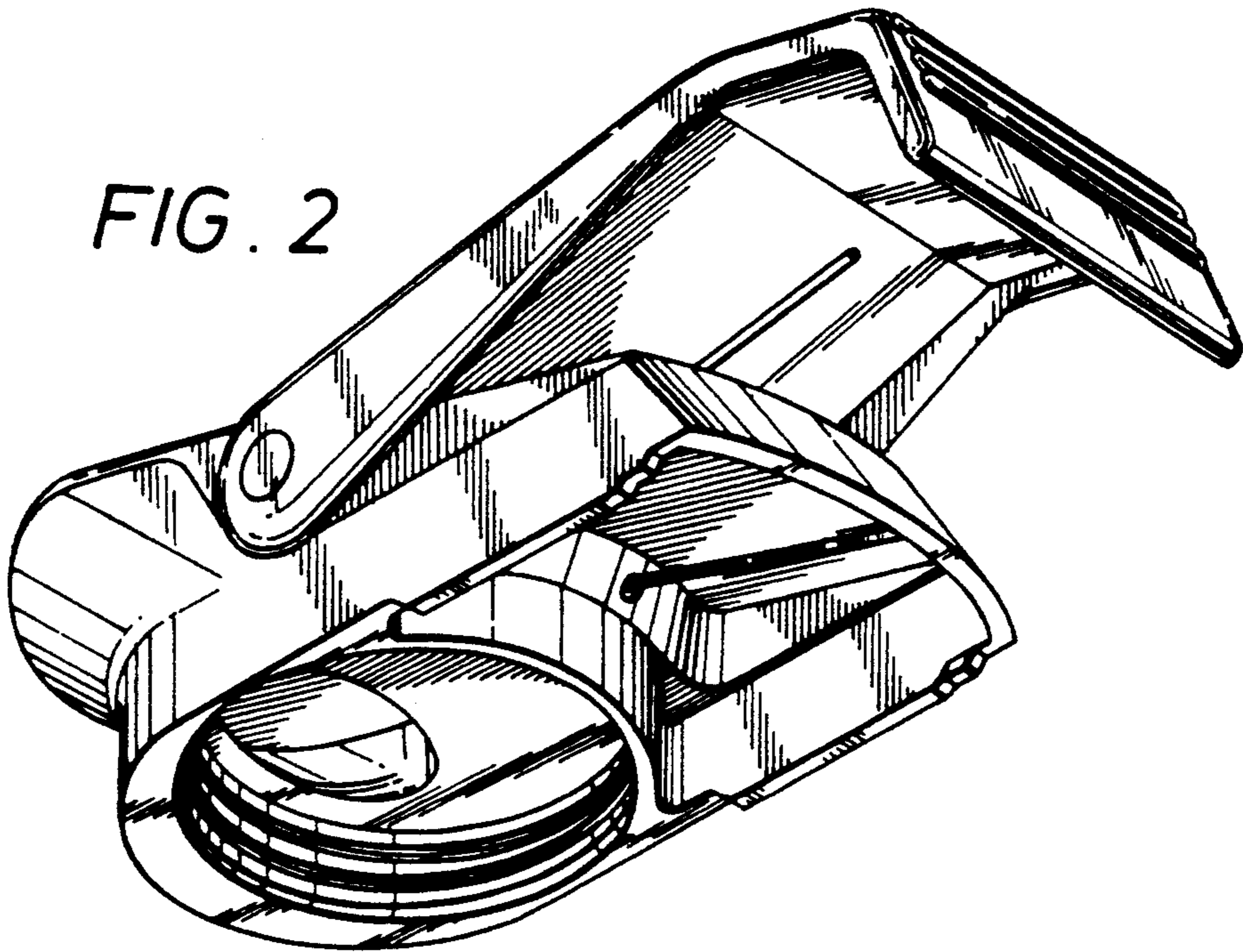


FIG. 3

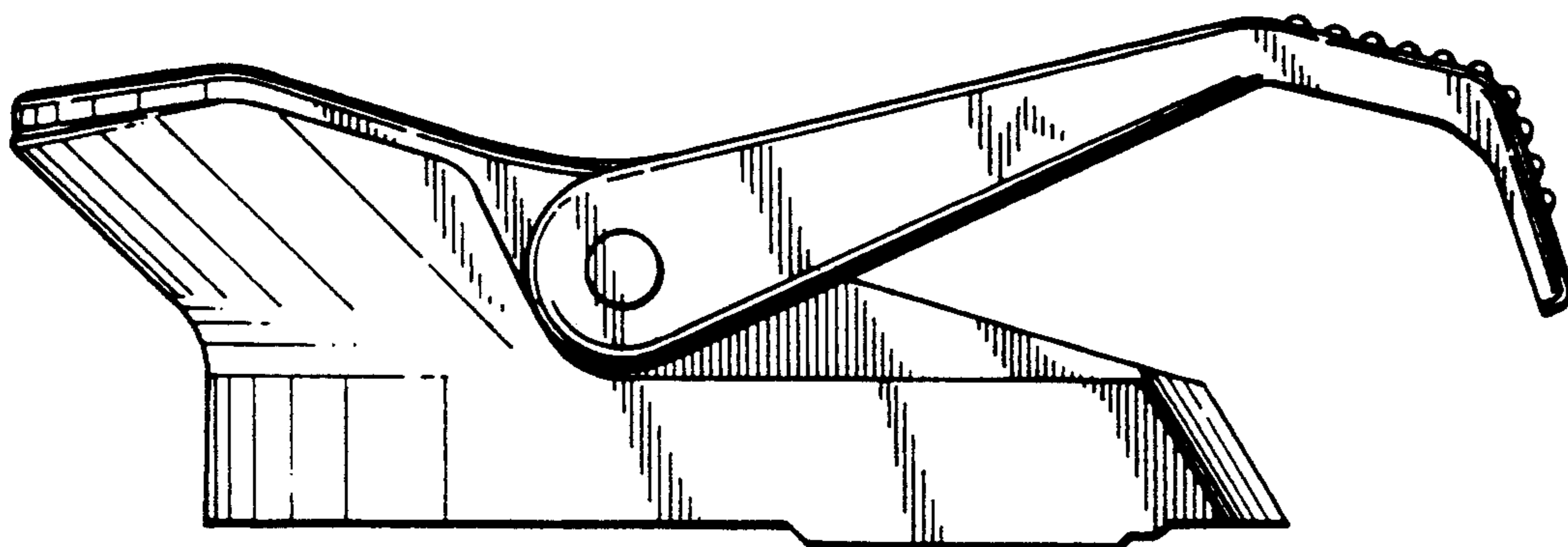


FIG. 4

