



US00D342897S

United States Patent [19]
Cochrane

[11] **Patent Number: Des. 342,897**
[45] **Date of Patent: ** Jan. 4, 1994**

[54] **BOTTLE CLOSURE**

[76] **Inventor: Benjamin A. Cochrane**, 181 Sonora Ave., Danville, Calif. 94526

[**] **Term: 14 Years**

[21] **Appl. No.: 947,543**

[22] **Filed: Dec. 29, 1986**

[52] **U.S. Cl. D9/435; D9/454**

[58] **Field of Search D9/435, 445, 454; 215/324, 340, 353**

[56] **References Cited**

U.S. PATENT DOCUMENTS

D. 289,143 4/1987 Guillaume D9/445
833,116 10/1906 Bell 215/324

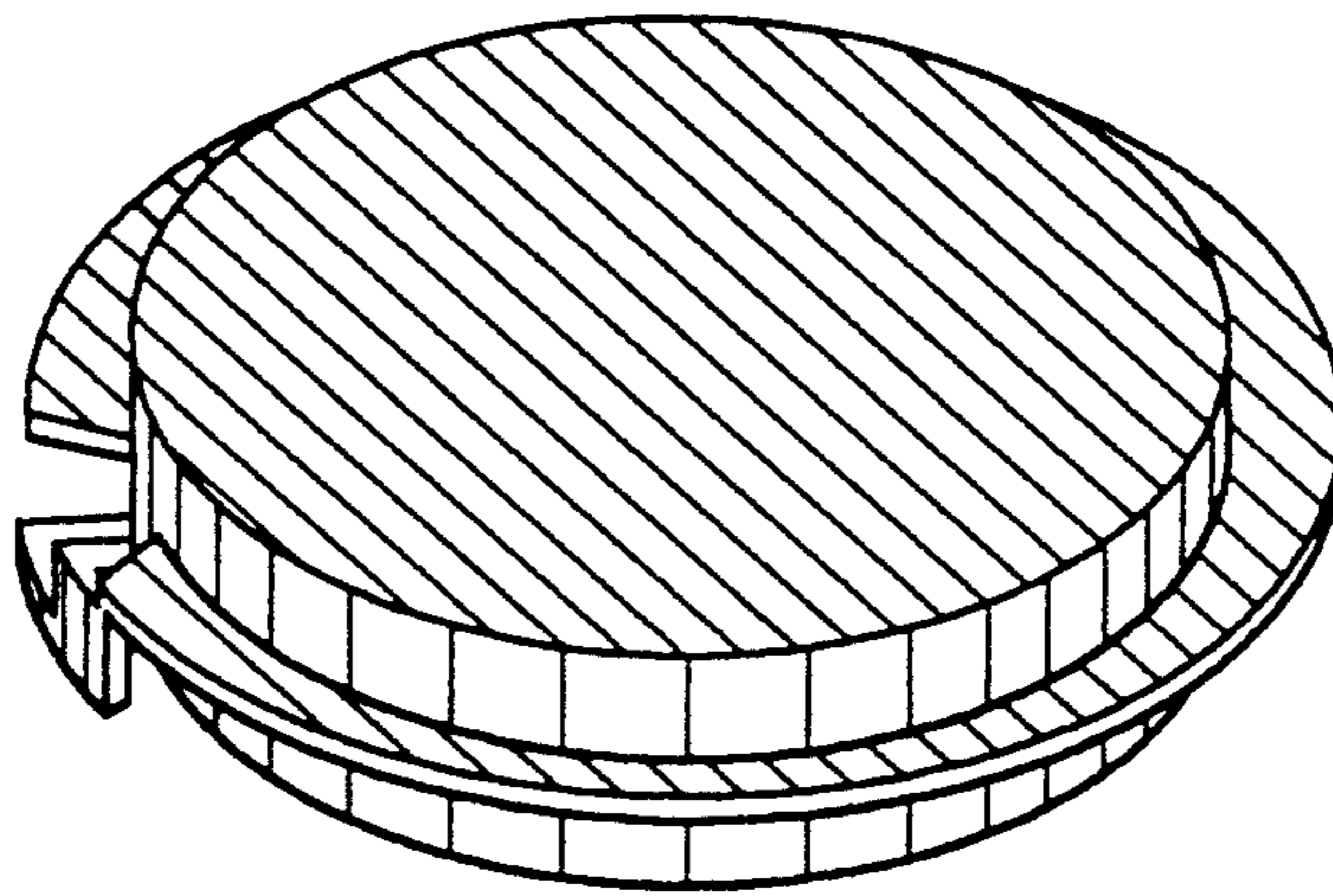
Primary Examiner—Bernard Ansher
Assistant Examiner—Dominic Simone
Attorney, Agent, or Firm—Plante Strauss & Vanderburgh

[57] **CLAIM**

The ornamental design for a bottle closure, as shown and described.

DESCRIPTION

FIG. 1 is a perspective view of the bottle closure showing my new design;
FIG. 2 is a left side elevational view thereof;
FIG. 3 is a front elevational view thereof;
FIG. 4 is a right side elevational view thereof;
FIG. 5 is a top plan view thereof; and,
FIG. 6 is a bottom plan view thereof.



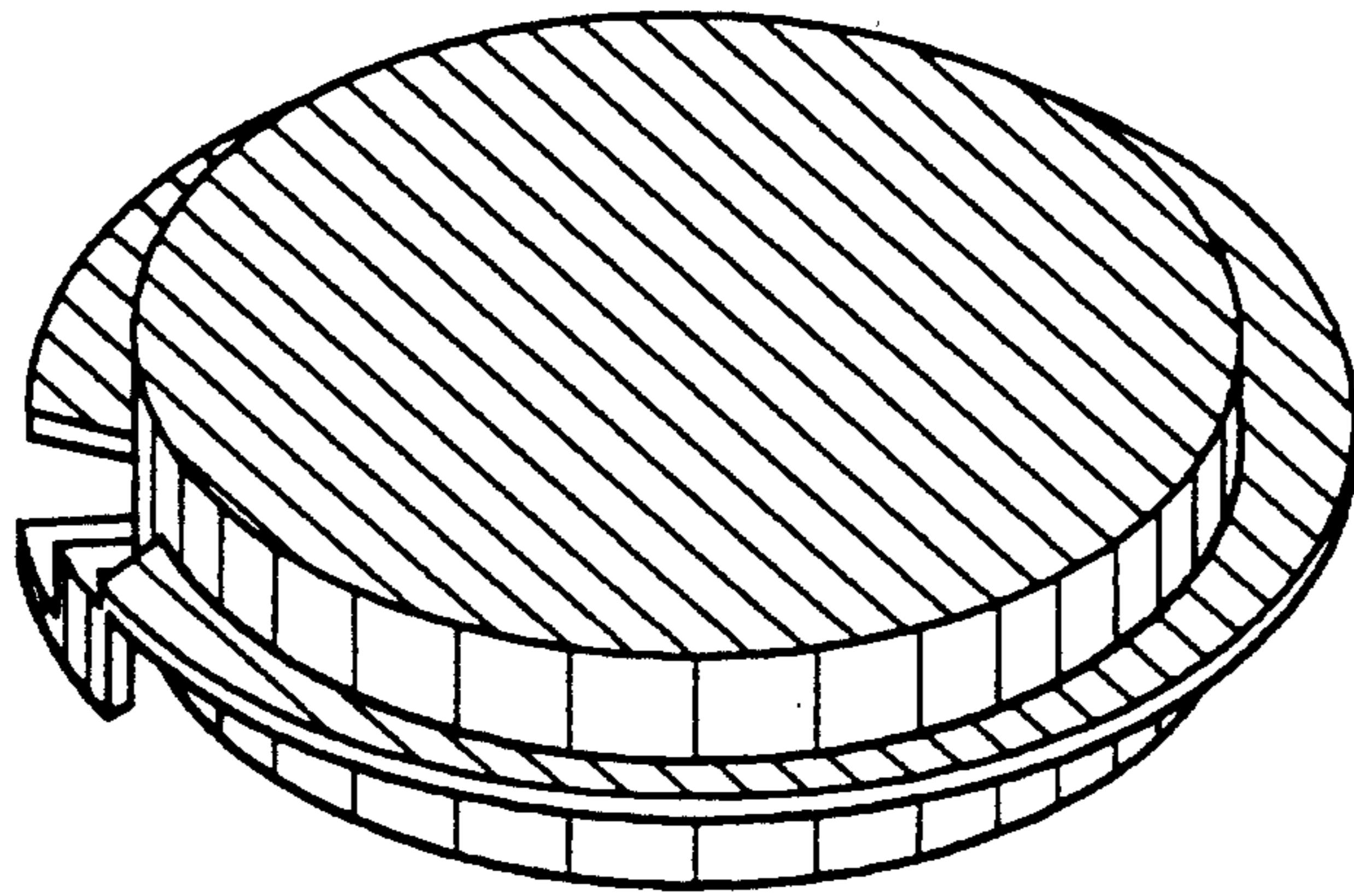


FIGURE 1

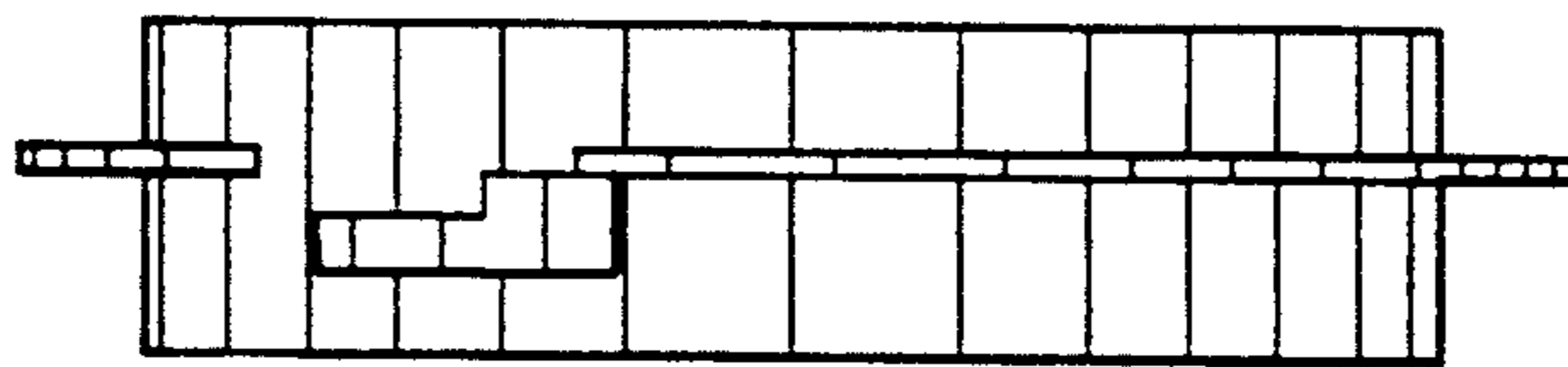


FIGURE 2

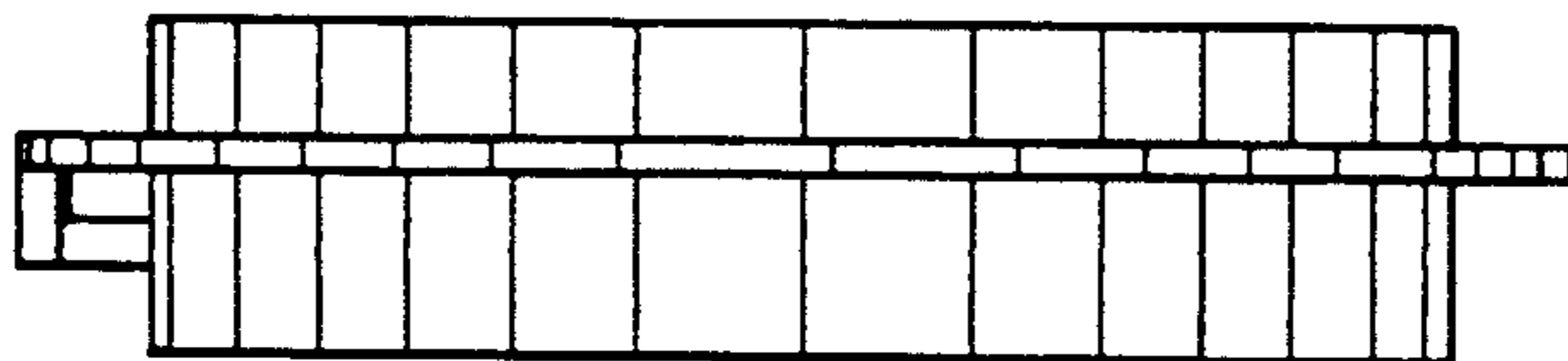


FIGURE 3

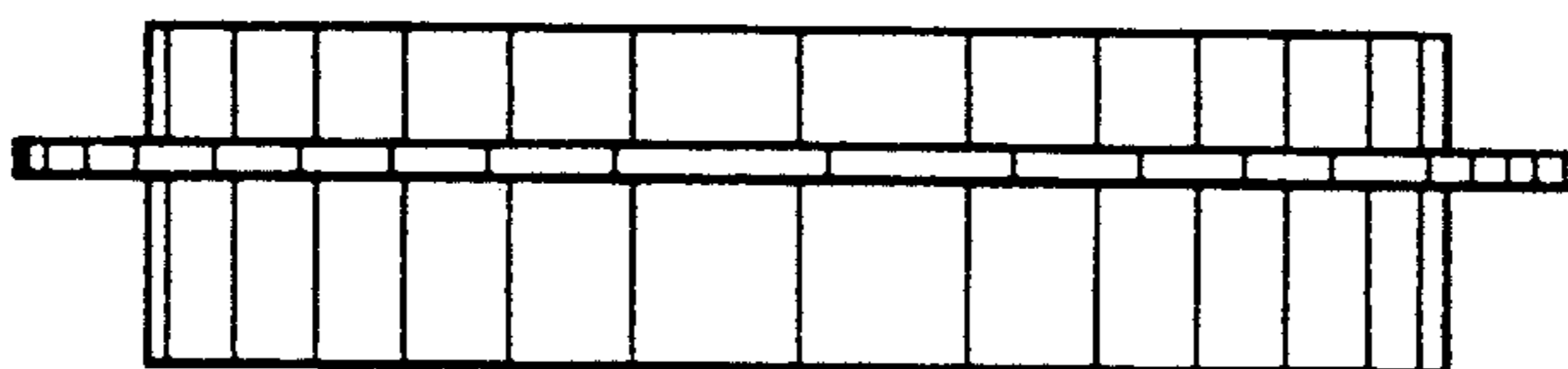


FIGURE 4

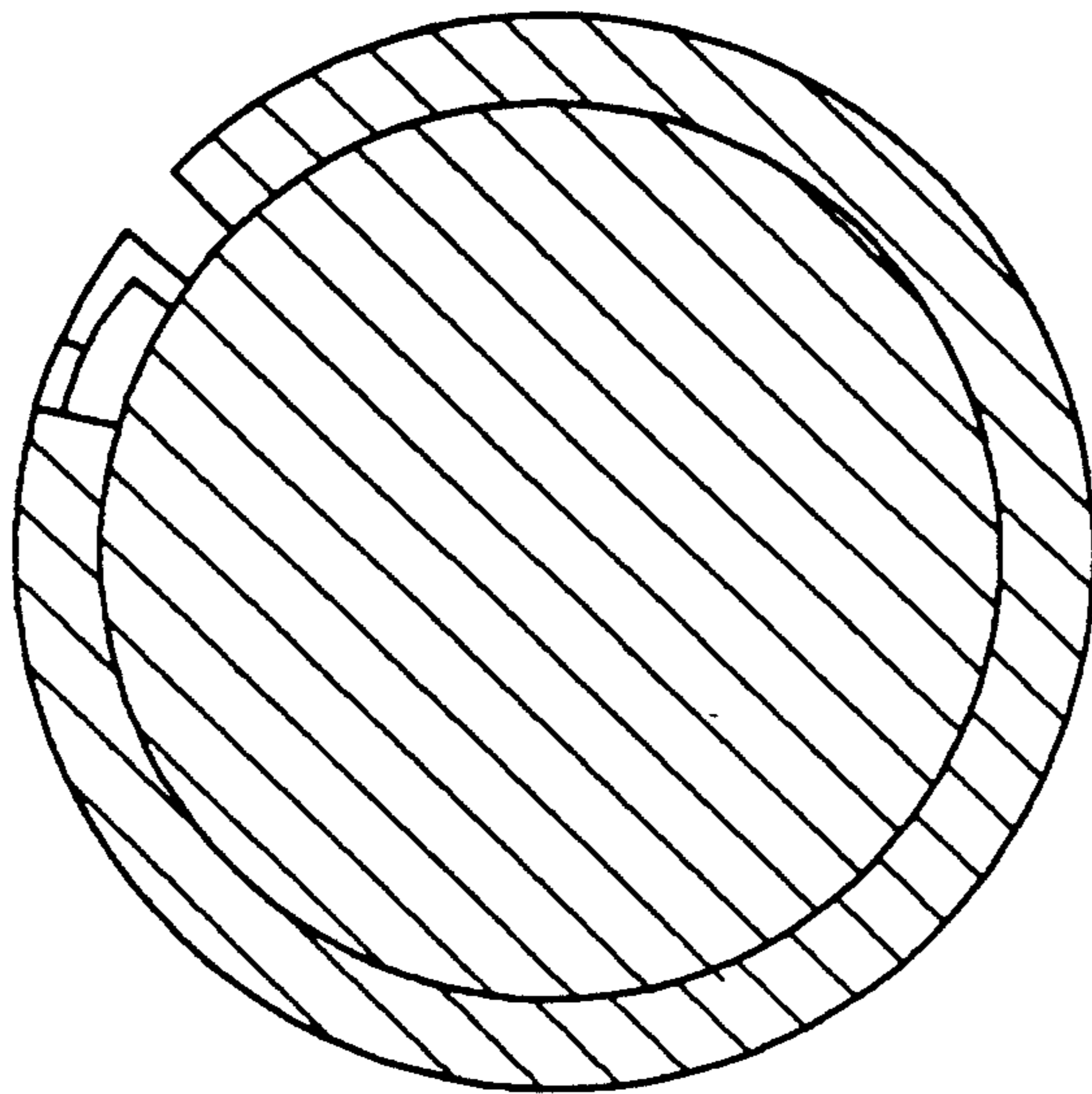


FIGURE 5

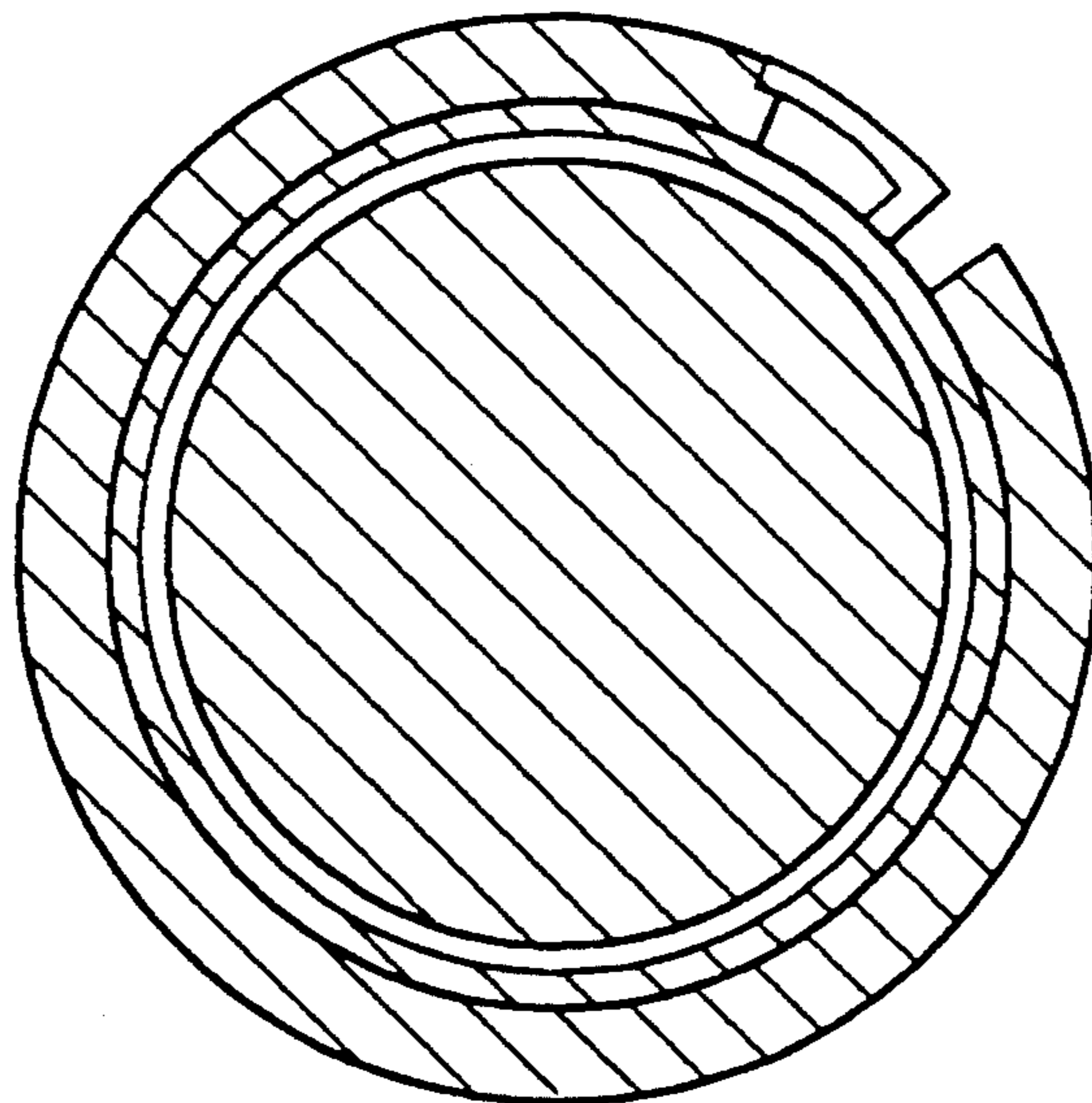


FIGURE 6