



US00D342896S

United States Patent [19] Gottofredi

[11] Patent Number: **Des. 342,896**
[45] Date of Patent: **** Jan. 4, 1994**

[54] CONTAINER

- [75] Inventor: **Angelo Gottofredi, Fidenza, Italy**
- [73] Assignee: **Barilla G.e.R. F.lli Societa per Azioni, Parma, Italy**
- [**] Term: **14 Years**
- [21] Appl. No.: **928,309**
- [22] Filed: **Aug. 12, 1992**

[30] Foreign Application Priority Data

- Feb. 12, 1992 [IT] Italy MI92 O 000074
- [52] U.S. Cl. **D9/425**
- [58] Field of Search D9/424, 425, 341, 431, D9/456, 414, 426; D7/601, 602; 206/508, 503, 511, 518, 519; 229/1.5R, 2.5R; 220/23.6, 675, 669

[56] References Cited

U.S. PATENT DOCUMENTS

- D. 193,952 10/1962 Reifers D9/425
- D. 194,166 11/1962 Ringlen D9/425
- D. 196,537 10/1963 Bostrom D9/425
- D. 275,165 8/1984 Grusin D9/431 X
- D. 276,026 10/1984 Hexamer D9/425
- 3,344,974 10/1967 Bostrom 206/518 X
- 3,615,039 10/1971 Ward 206/518
- 4,616,762 10/1986 Alexander 206/518 X

OTHER PUBLICATIONS

Lewisystems Cat., 1984, p. 28, Item #2110-5 and #1812-8.

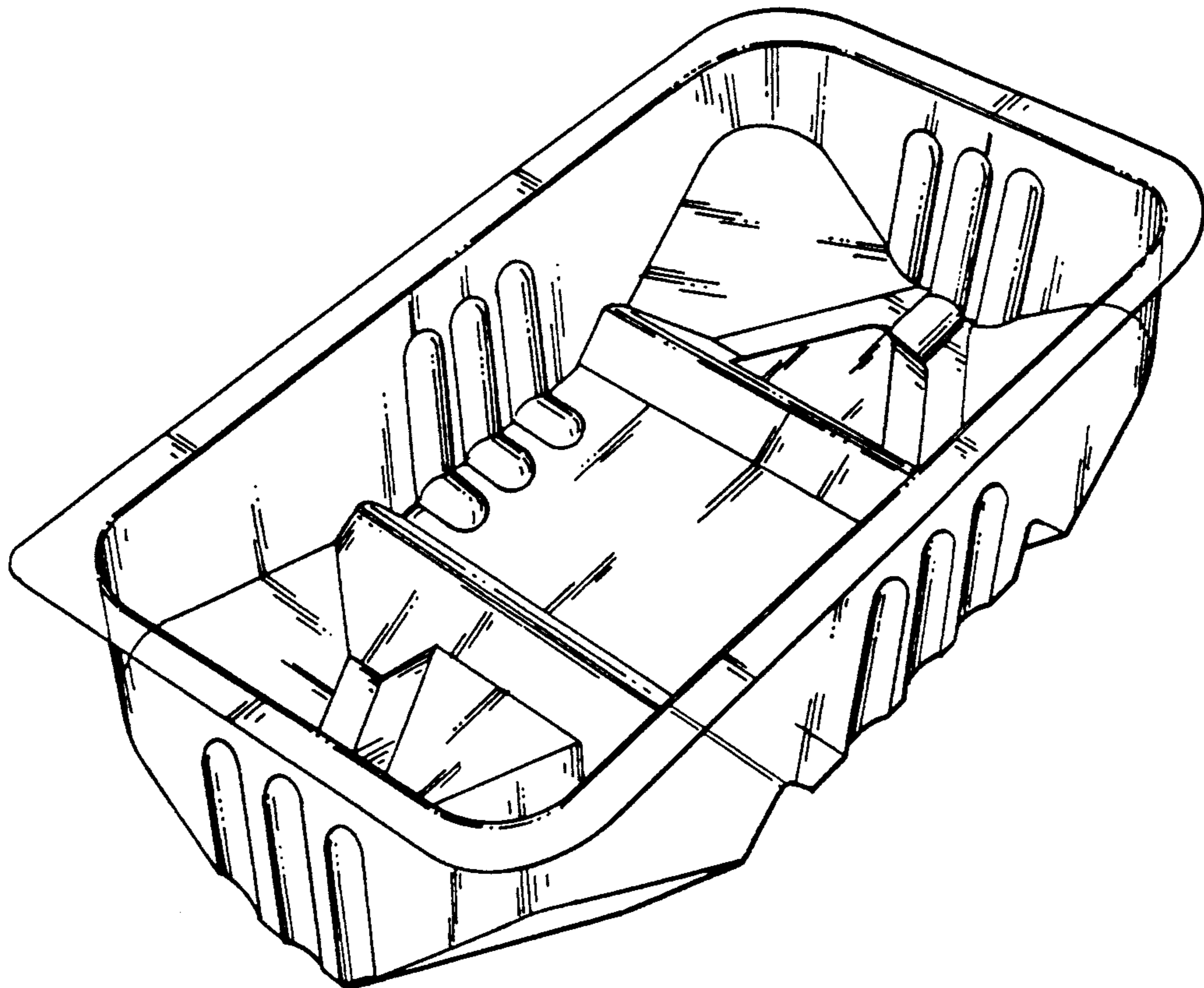
Primary Examiner—Prabhakar G. Deshmukh
Attorney, Agent, or Firm—Sughrue, Mion, Zinn, Macpeak & Seas

[57] CLAIM

The ornamental design for a container, as shown and described.

DESCRIPTION

FIG. 1 is a perspective view of a container showing my new design;
 FIG. 2 is a perspective view of a second embodiment of the container;
 FIG. 3 is a top plan view of FIG. 1;
 FIG. 4 is a top plan view of FIG. 2;
 FIG. 5 is a front elevational view of FIG. 1; the rear elevational view being a mirror image thereof;
 FIG. 6 is a front elevational view of FIG. 2; the rear elevational view being a mirror image thereof;
 FIG. 7 is a bottom plan view of FIG. 1;
 FIG. 8 is a bottom plan view of FIG. 2;
 FIG. 9 is a left side elevational view of FIG. 1; the right side elevational view being a mirror image thereof; and,
 FIG. 10 is a left side elevational view of FIG. 2; the right side elevational view being a mirror image thereof.



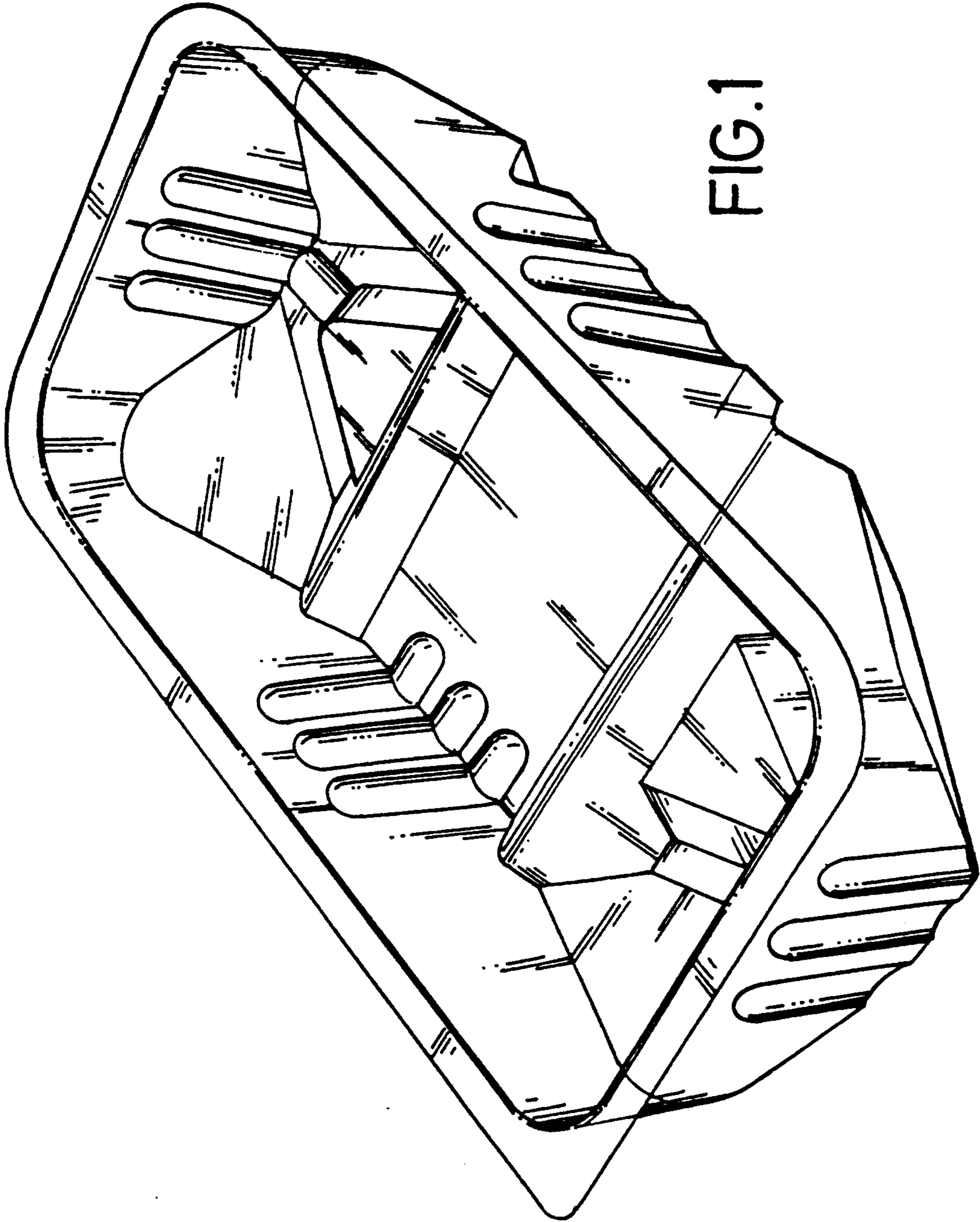


FIG.1

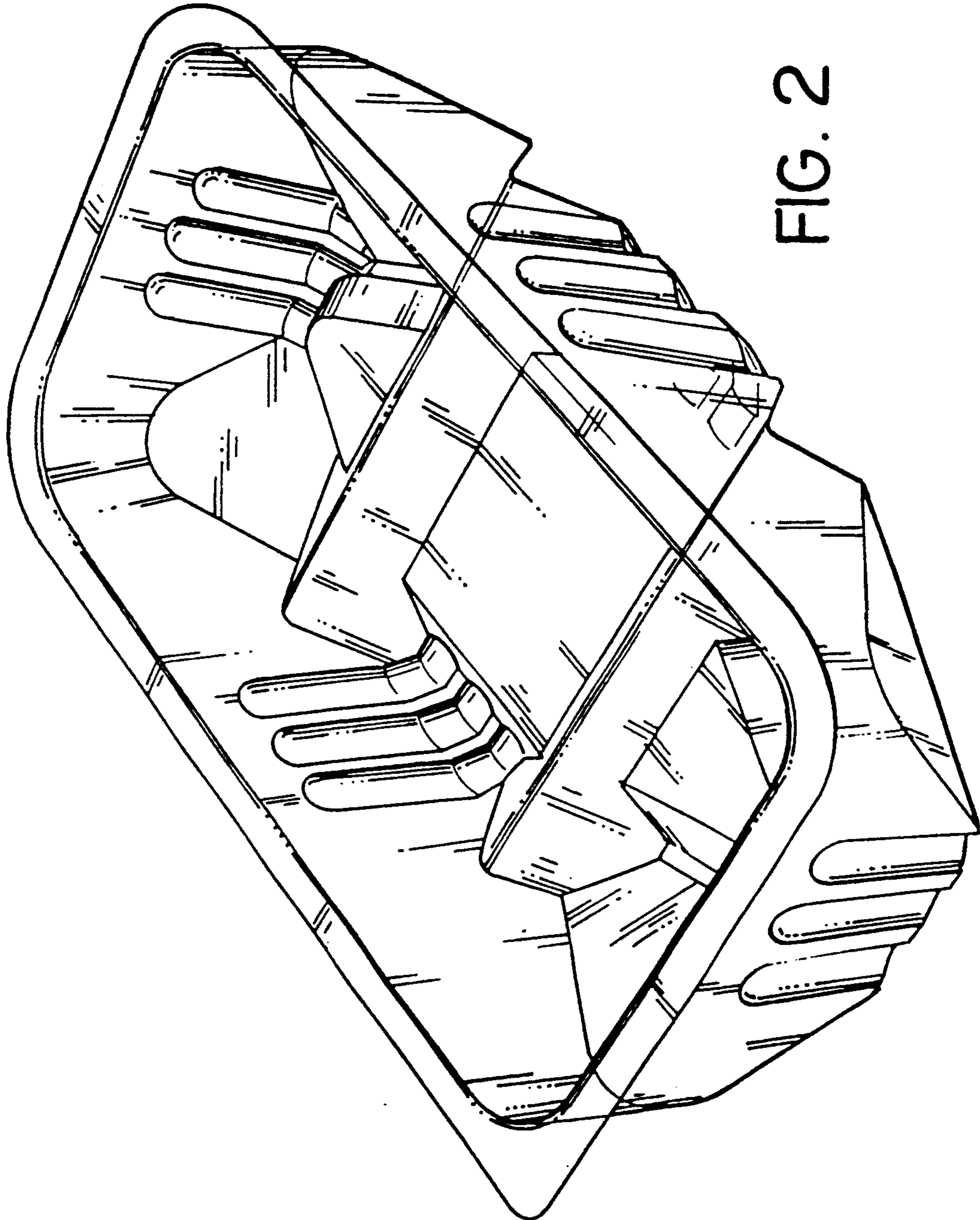


FIG. 2

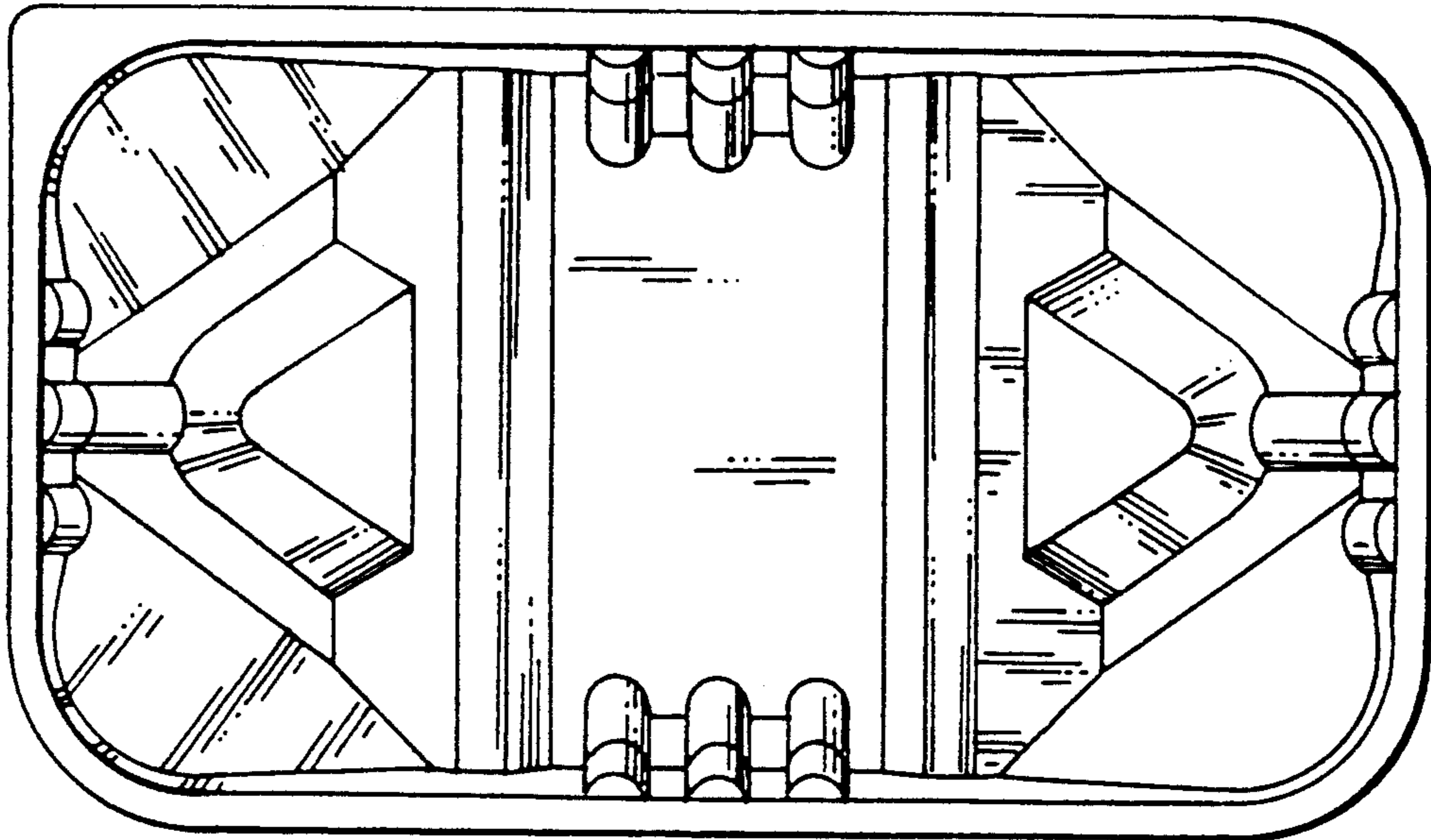


FIG. 3

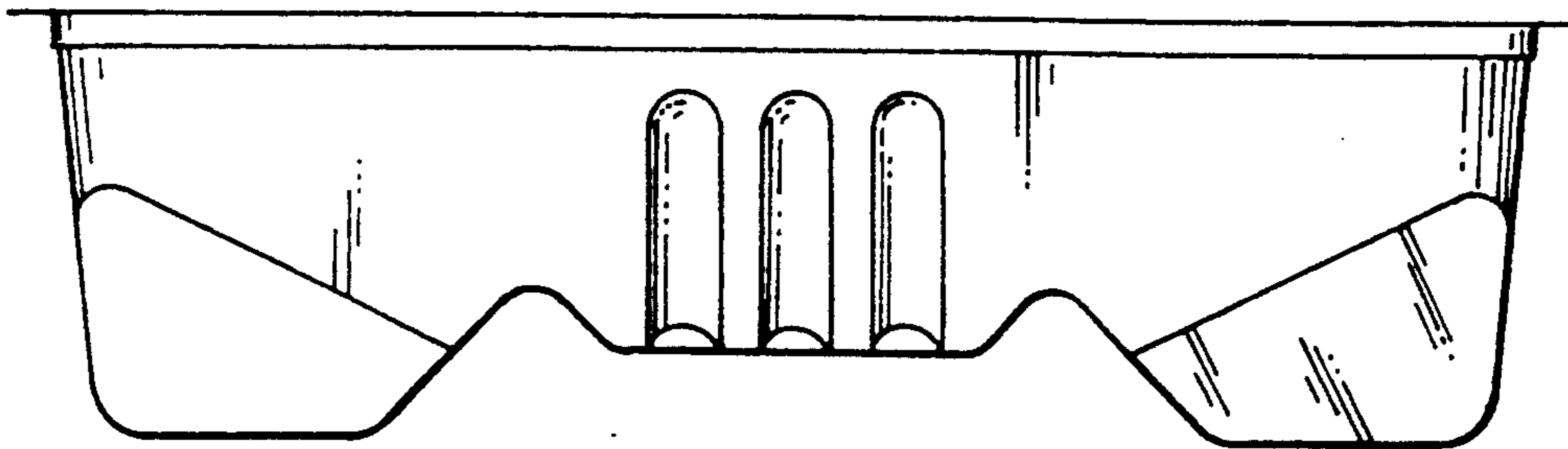


FIG. 5

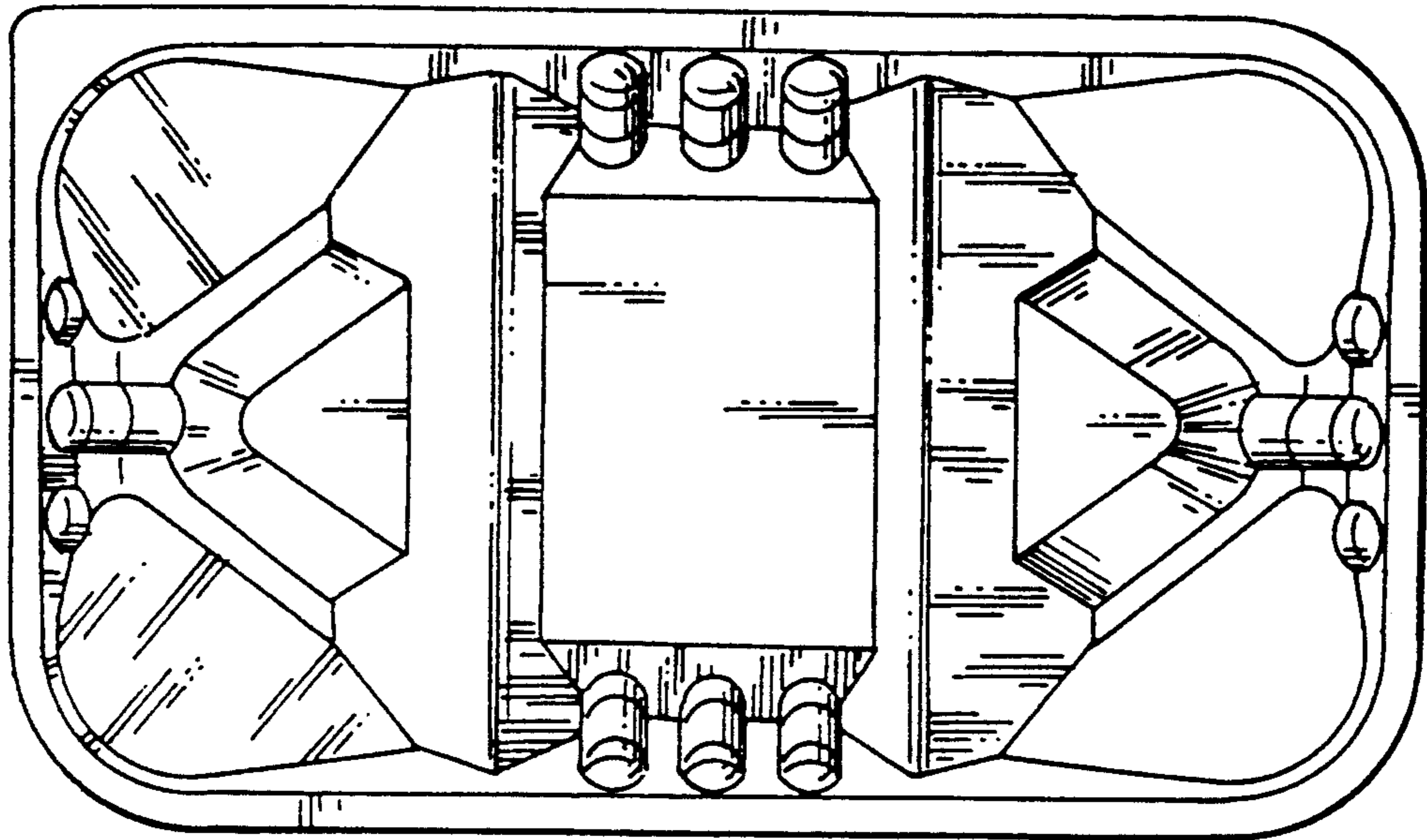


FIG. 4

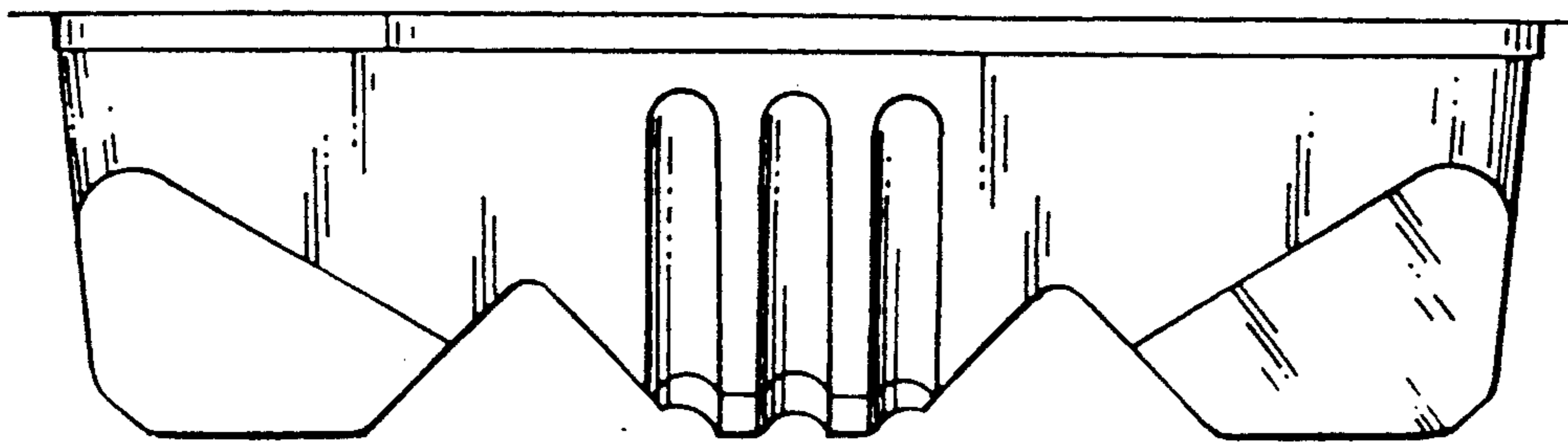


FIG. 6

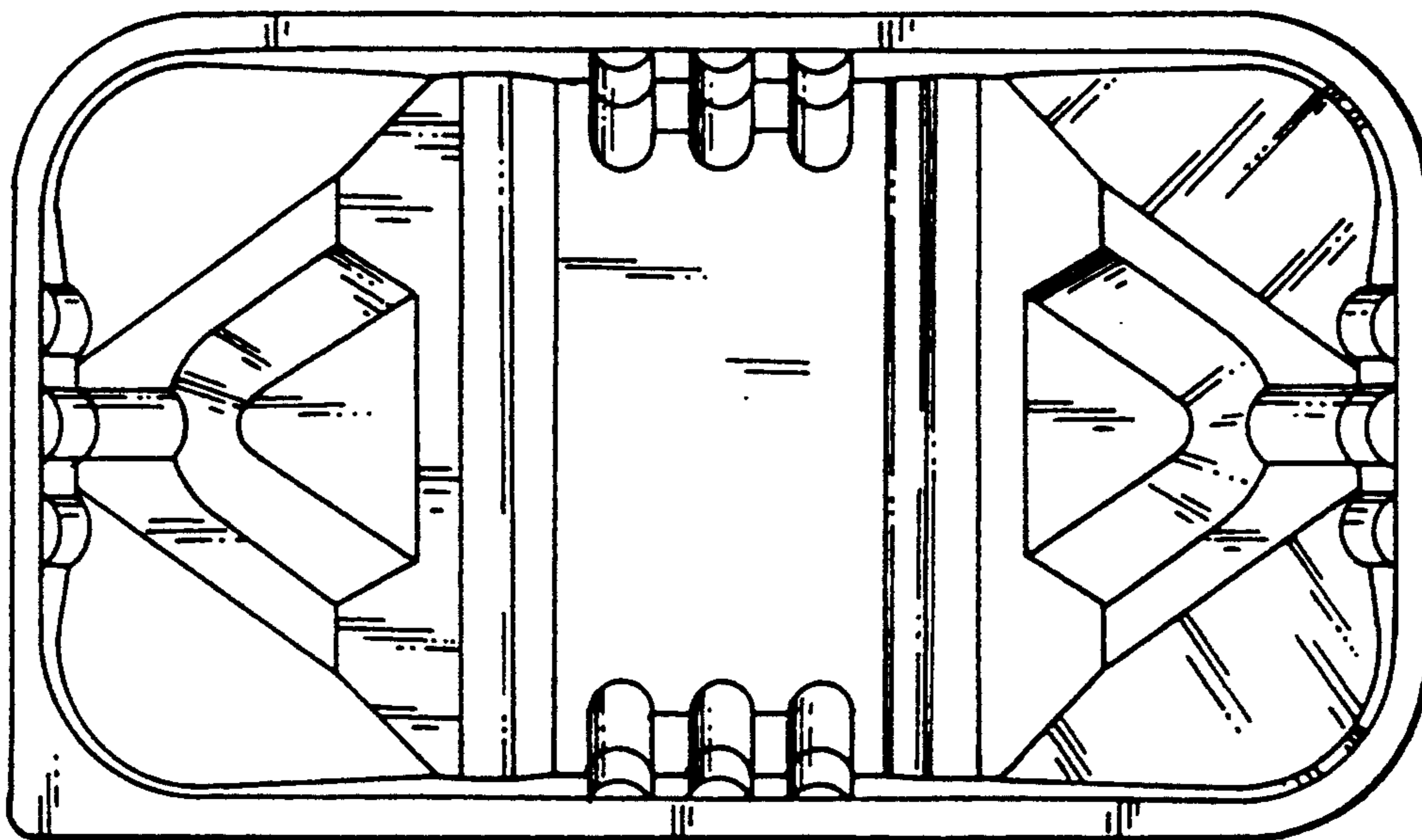


FIG. 7

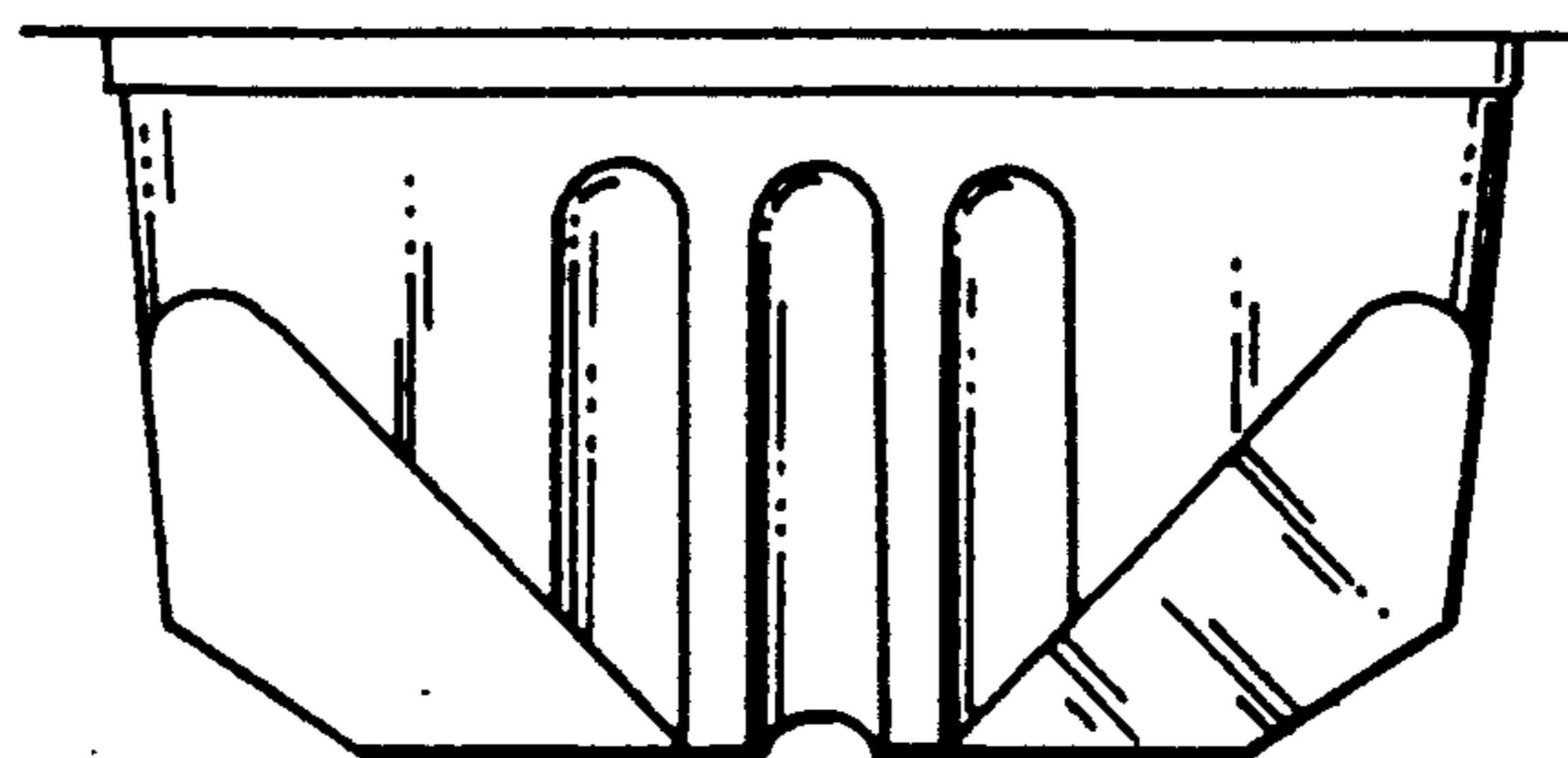


FIG. 9

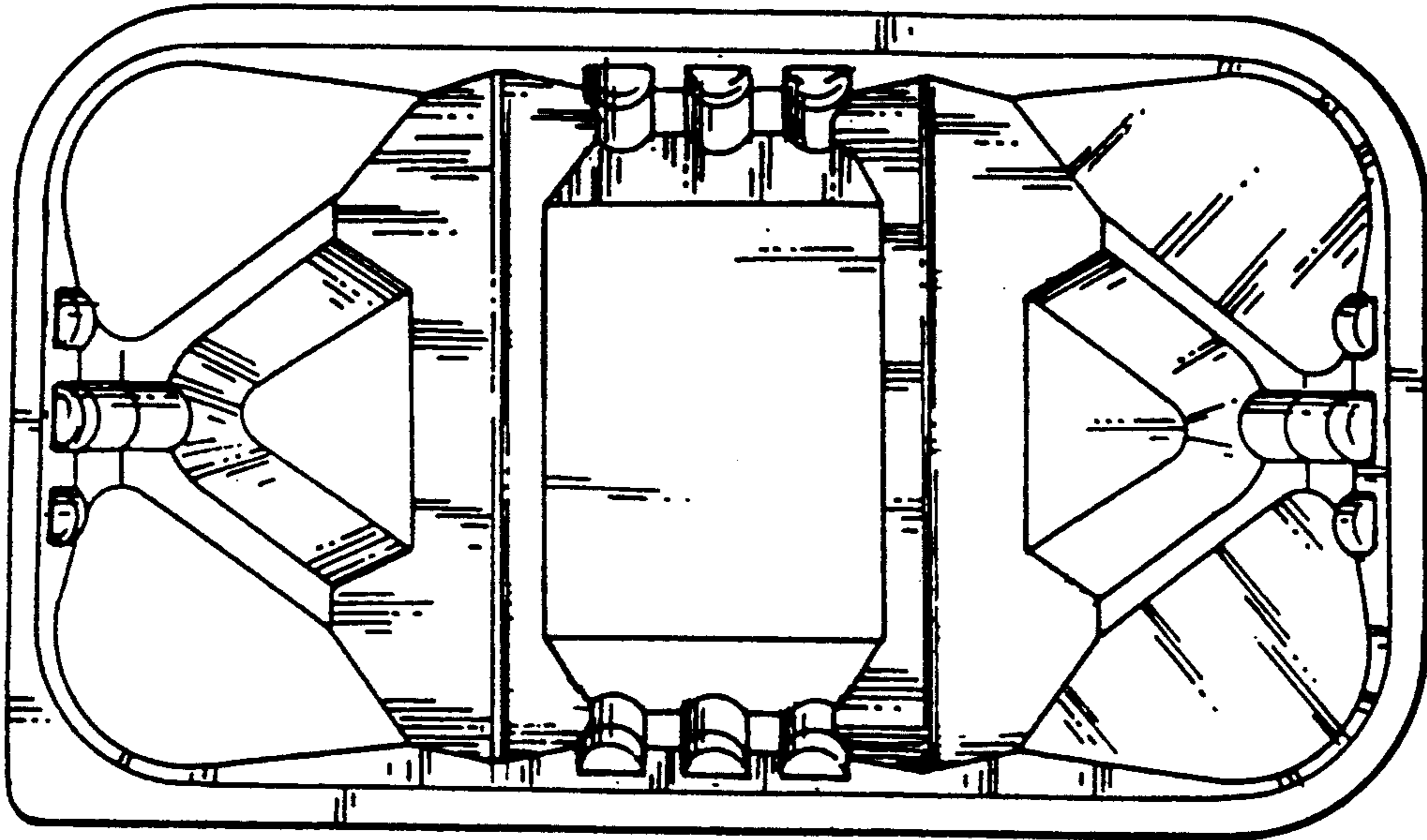


FIG. 8

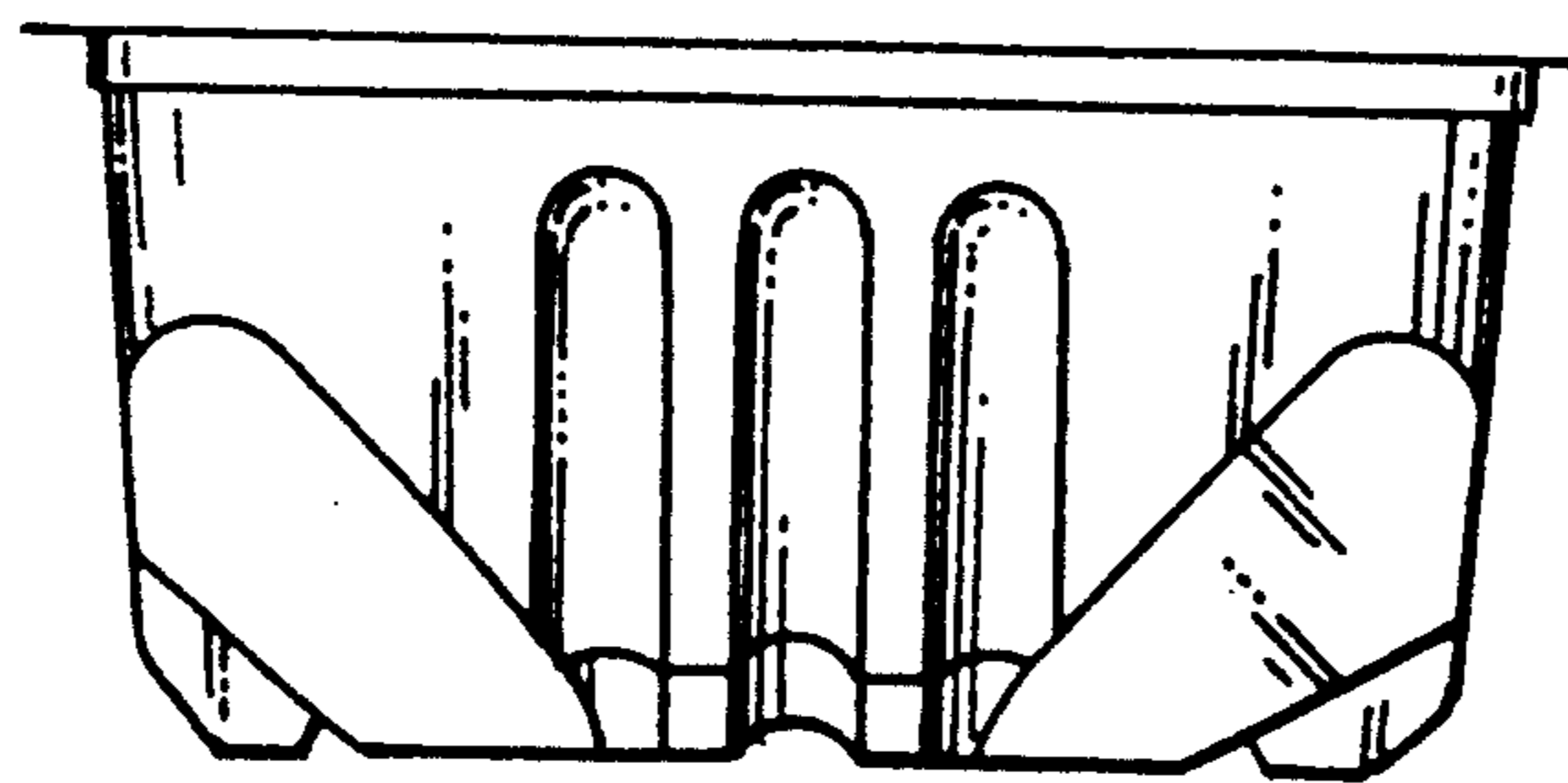


FIG. 10