



US00D342895S

**United States Patent** [19]  
**Mall**

[11] **Patent Number: Des. 342,895**

[45] **Date of Patent: \*\* Jan. 4, 1994**

- [54] **STACKABLE CONTAINER FOR STORING EXCESS LENGTHS OF ELECTRIC CORD CONTAINERS**
- [76] **Inventor: Richard Mall, 3036 E. 6th St., Long Beach, Calif. 90814**
- [\*\*] **Term: 14 Years**
- [21] **Appl. No.: 665,454**
- [22] **Filed: Mar. 6, 1991**
- [52] **U.S. Cl. .... D9/423**
- [58] **Field of Search ..... D9/420-423, 337, 428, 424 206/508, 509, 520, 349, 348, 338, 524.6, 525, 328-334, 508, 511; D3/30.1, 105; 220/23.6, 213, 334, 380, 658, 216, 225, 699, 700, 701, 380; D34/40**

4,485,923	12/1984	Schwalkert .....	206/508
4,494,651	1/1985	Malcolm .....	206/334 X
4,545,487	10/1985	Asmus .....	206/508
4,691,828	9/1987	Slusarczyk et al. ....	206/509 X
4,793,488	12/1988	Mortensen .....	206/334 X
4,844,263	7/1989	Hadtke .....	206/508

*Primary Examiner*—Prabhakar G. Deshmukh  
*Attorney, Agent, or Firm*—Fulwider, Patton, Lee & Utecht

[57] **CLAIM**

The ornamental design for a stackable container for storing excess lengths of electric cord containers, as shown and described.

**DESCRIPTION**

FIG. 1 is a perspective view of a stackable container for storing excess lengths of electric cord containers showing my new design;  
 FIG. 2 is a top plan view thereof;  
 FIG. 3 is a bottom plan view thereof;  
 FIG. 4 is a front elevational view thereof;  
 FIG. 5 is a rear elevational view thereof;  
 FIG. 6 is a left side elevational view thereof; and,  
 FIG. 7 is a right side elevational view thereof.

- [56] **References Cited**
- U.S. PATENT DOCUMENTS**
- D. 316,330 4/1991 Vicento ..... D3/30.1 X
- D. 320,518 10/1991 Sandt ..... D3/30.1 X
- 3,412,888 11/1968 Andrews et al. .... 206/508 X
- 3,907,147 9/1975 Goobeck ..... 220/23.6 X
- 3,913,741 10/1975 Pirie ..... 206/508
- 3,981,401 9/1976 Blanchard ..... 206/508
- 4,286,713 9/1981 Marchais ..... 220/380 X

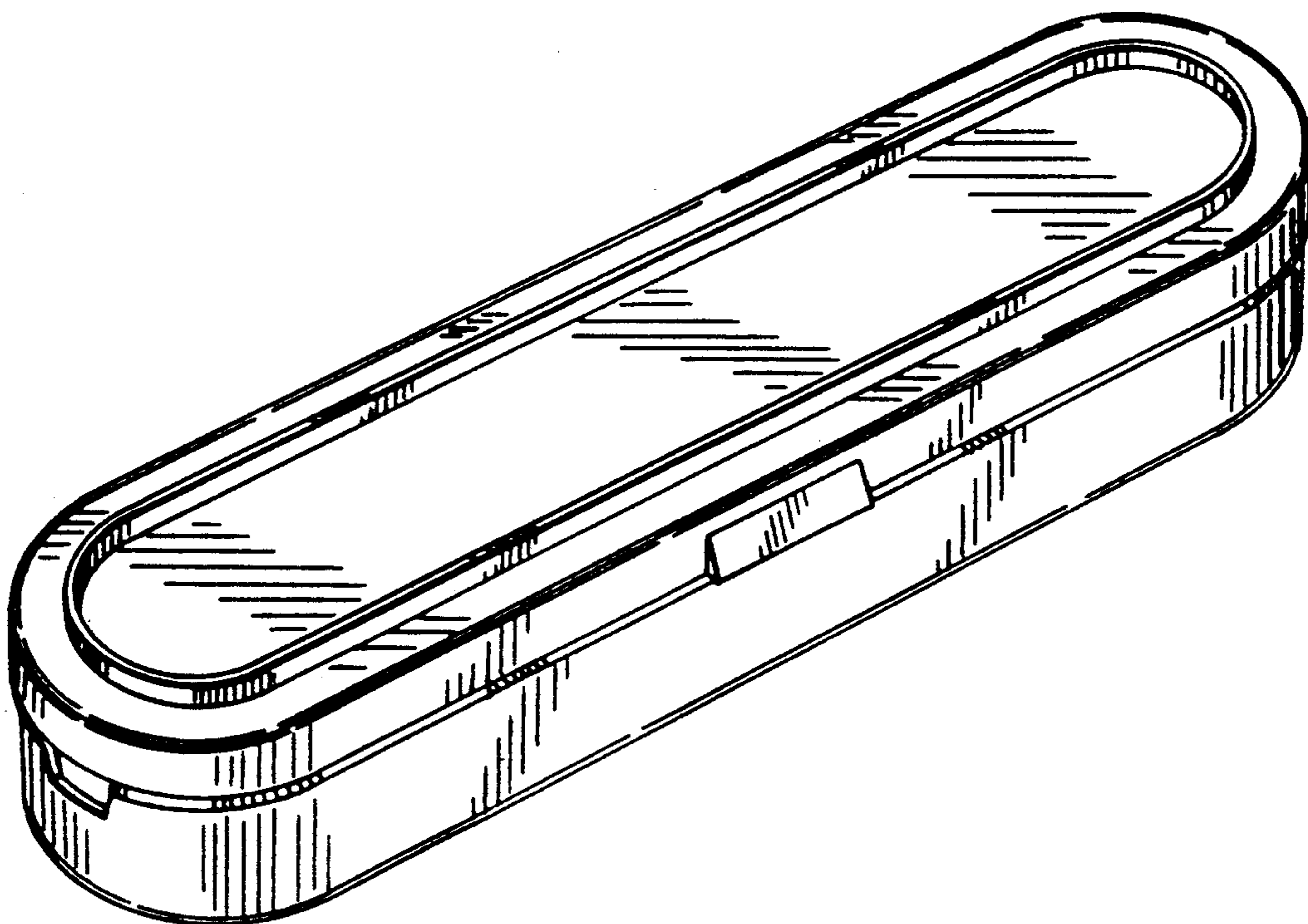


FIG. 1

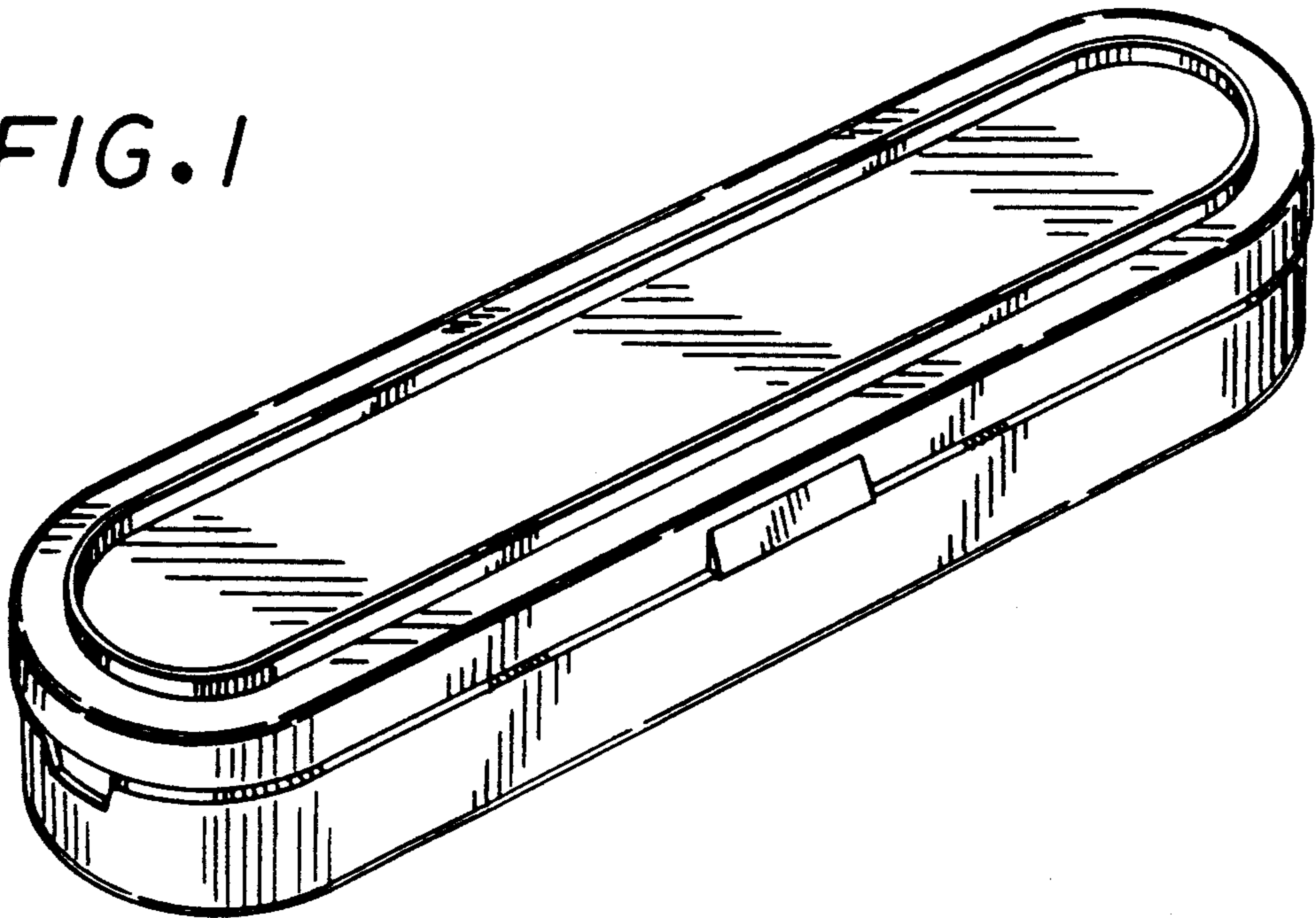


FIG. 2

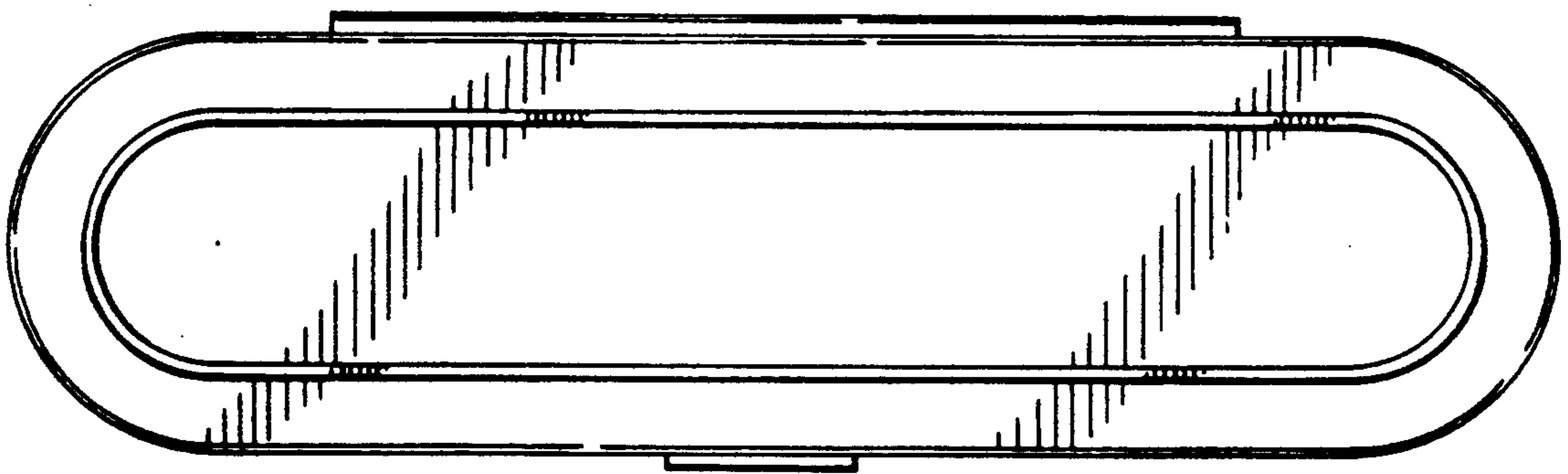
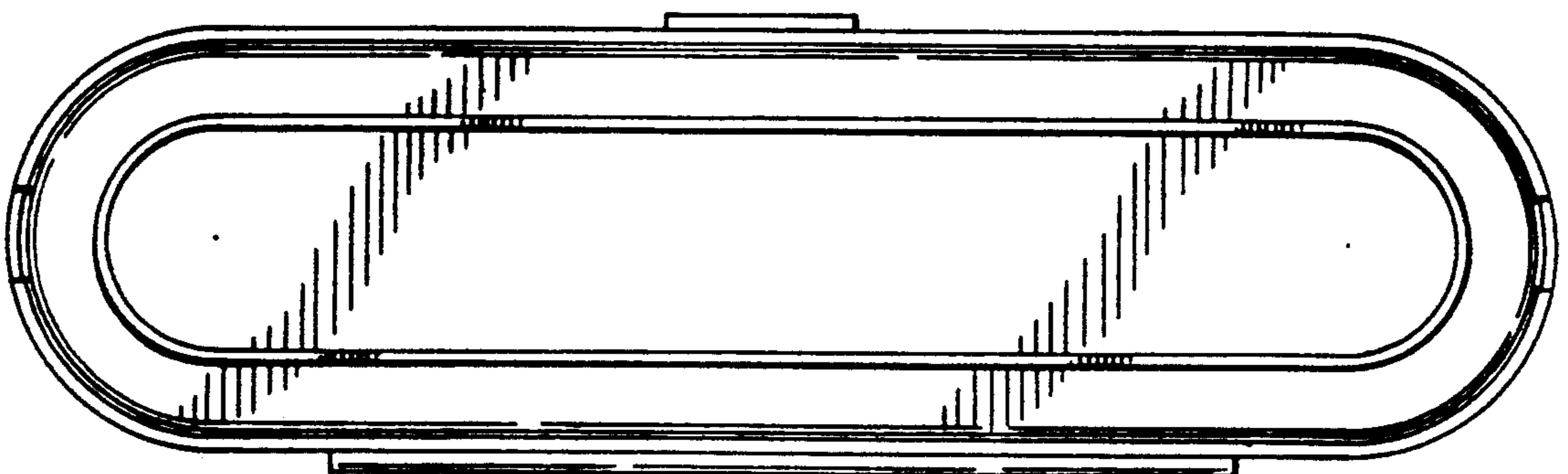


FIG. 3



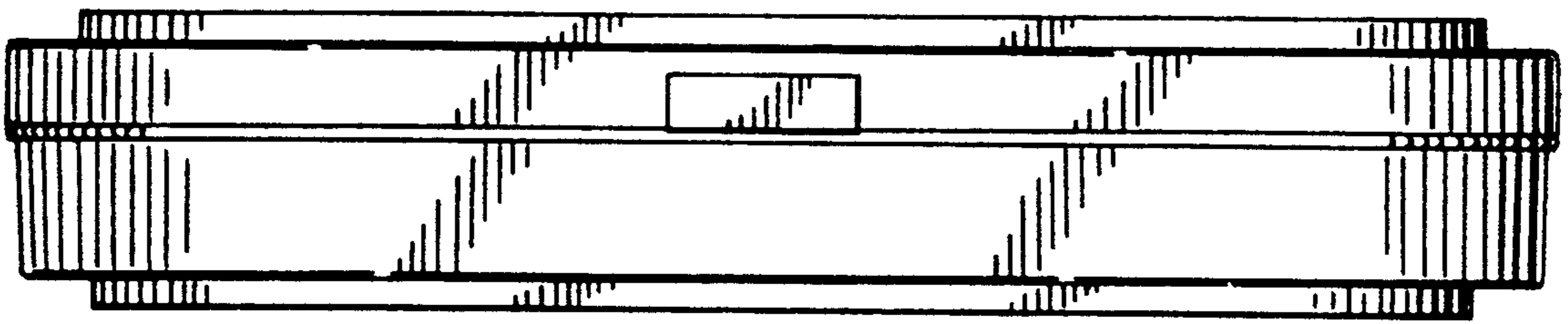


FIG. 4

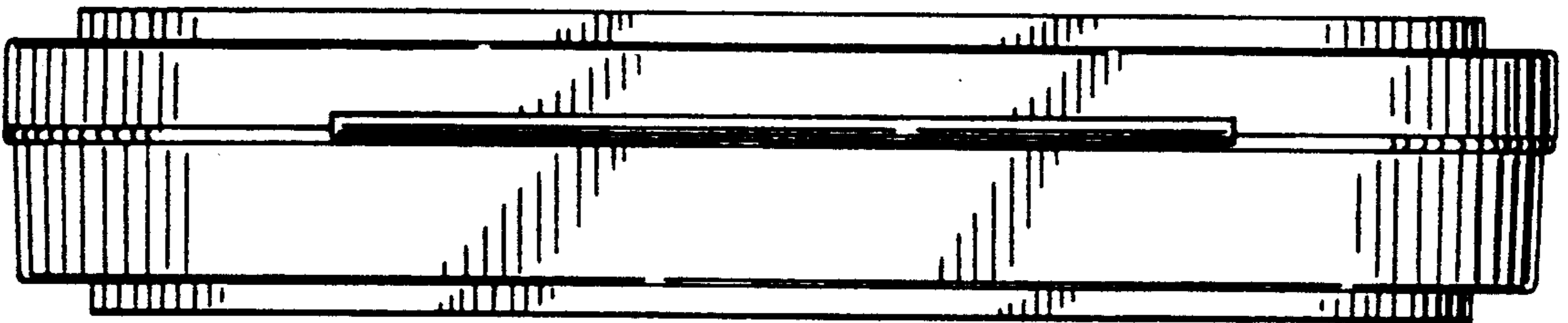


FIG. 5

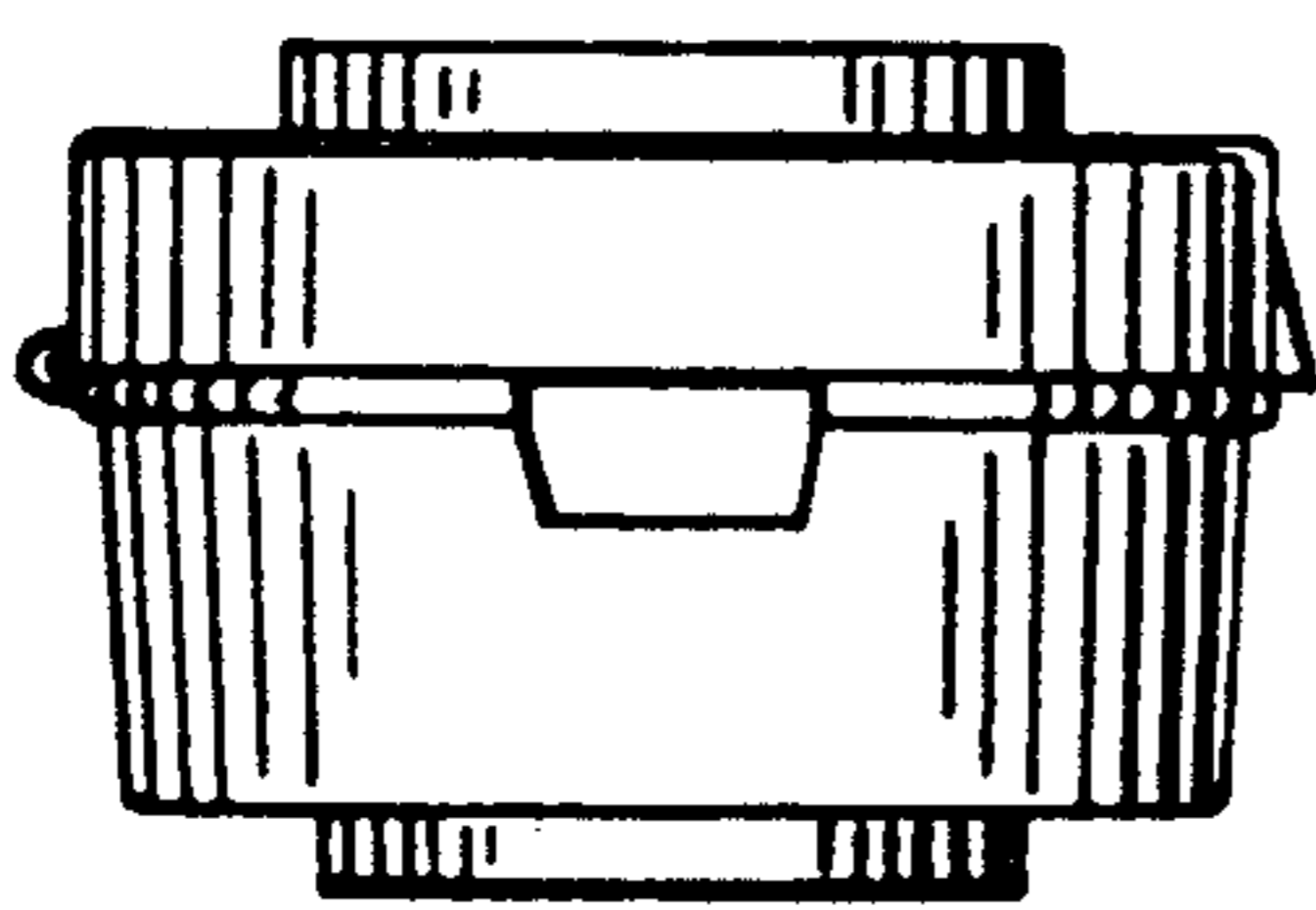


FIG. 6

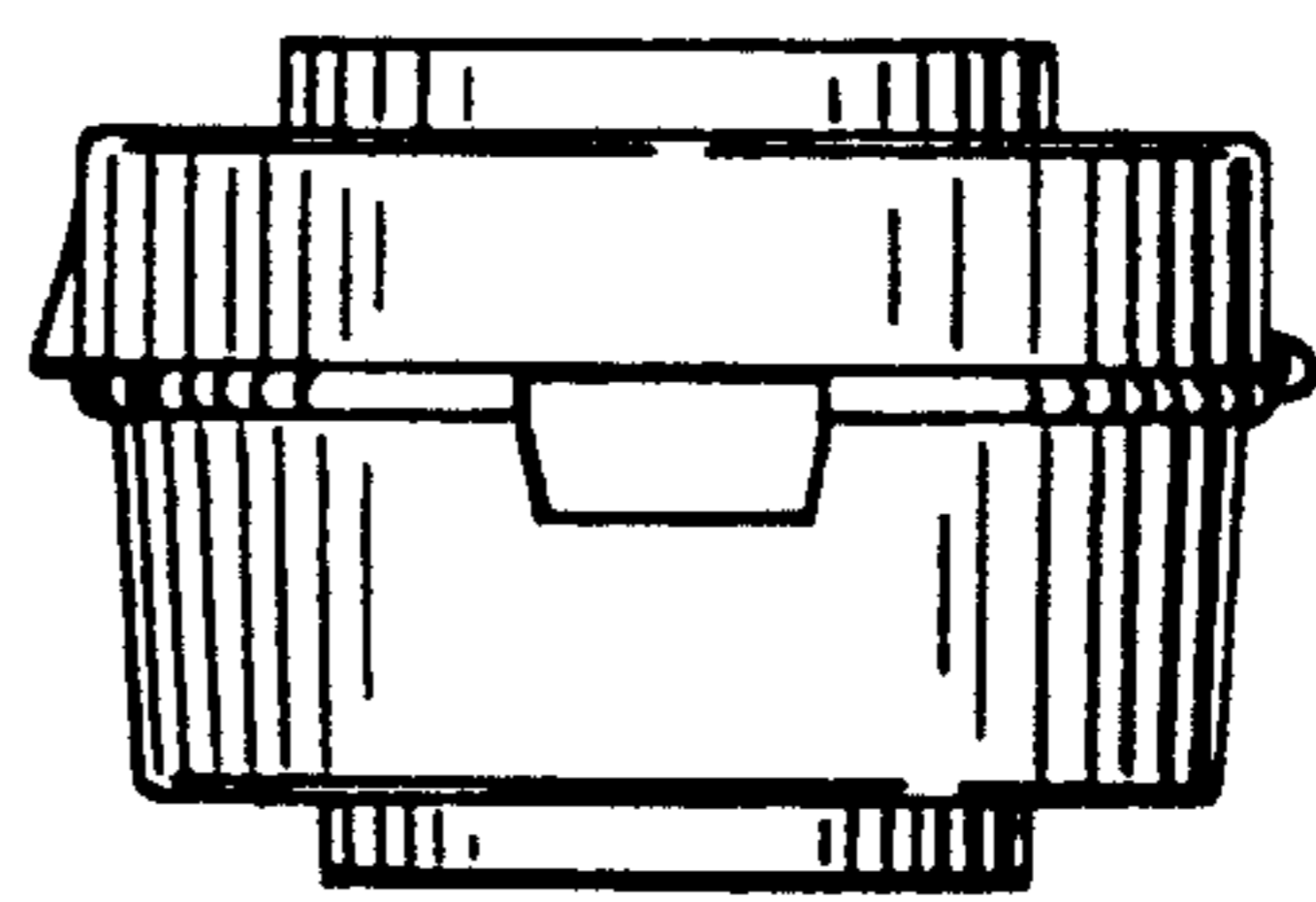


FIG. 7