



US00D342892S

# United States Patent [19]

[11] Patent Number: **Des. 342,892**

**Teerds**

[45] Date of Patent: **\*\* Jan. 4, 1994**

[54] **BOX WITH SLIDE TOP**

4,688,023 8/1987 McGill et al. .... 220/346 X

[76] Inventor: **Albert W. D. Teerds**, P.O. Box 17,  
4926 ZG Lage Zwaluwe,  
Netherlands

*Primary Examiner*—Prabhakar G. Deshmukh  
*Attorney, Agent, or Firm*—Oblon, Spivak, McClelland,  
Maier & Neustadt

[\*\*] Term: **14 Years**

[57] **CLAIM**

[21] Appl. No.: **713,348**

The ornamental design for a box with slide top, as shown and described.

[22] Filed: **Oct. 7, 1991**

[52] U.S. Cl. .... **D9/341; D9/418; D9/432**

**DESCRIPTION**

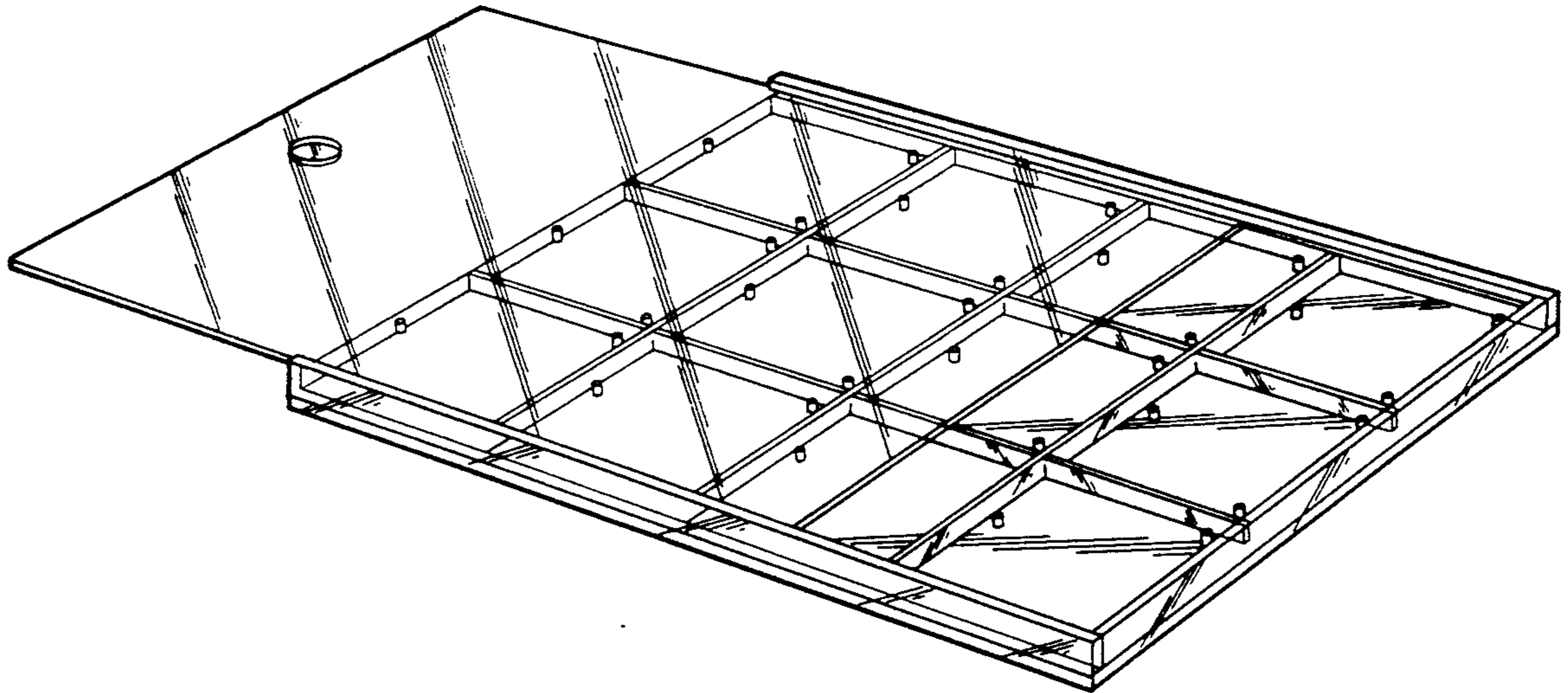
[58] **Field of Search** ..... D9/341, 418, 432, 424,  
D9/425, 415; 206/45.31, 45.34, 45.15, 557, 561,  
564; 220/345, 346, 662, 676, 602; D6/476

FIG. 1 is a perspective view of a box with slide top showing my new design;  
FIG. 2 is a perspective view thereof with the top slide cover shown in partially open position;  
FIG. 3 is a top plan view thereof;  
FIG. 4 is a front elevational view thereof;  
FIG. 5 is a rear elevational view thereof;  
FIG. 6 is a right side elevational view thereof, the left side elevational view being a mirror image thereof;  
FIG. 7 is a bottom plan view thereof; and,  
FIG. 8 is a perspective view of a second embodiment of my new design, the other views being similar to what is shown in FIGS. 2-7 with the changes shown in FIG. 8.

[56] **References Cited**

**U.S. PATENT DOCUMENTS**

D. 238,147	12/1975	Vartiainen et al. ....	D9/432
D. 276,964	1/1985	Boland, II .....	D9/341 X
D. 281,145	10/1985	Moe .....	D9/424 X
2,035,340	3/1936	Primavera .....	220/345 X
3,180,697	4/1965	Mulch .....	220/345 X
3,630,344	12/1971	Bergh et al. ....	220/345 X



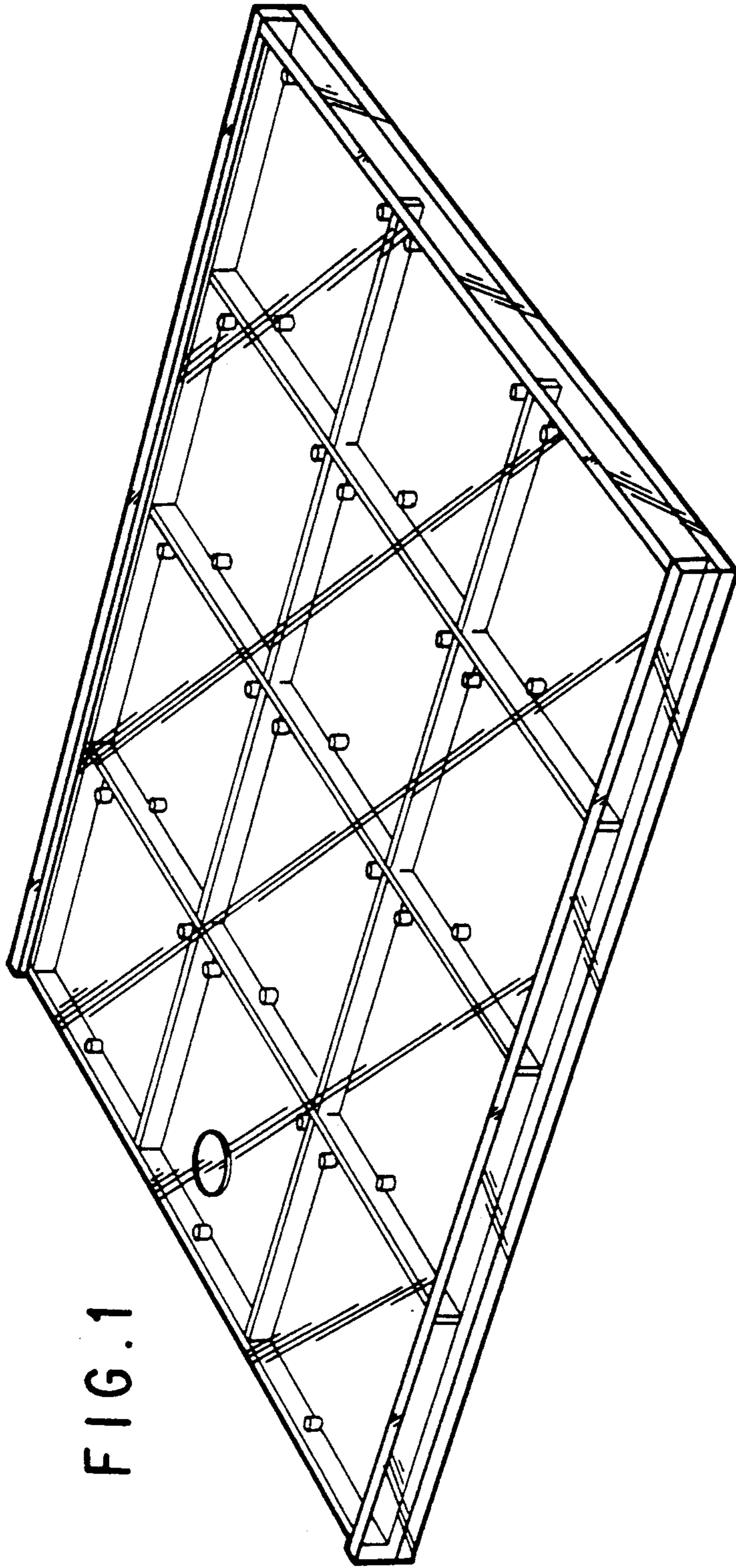


FIG. 1

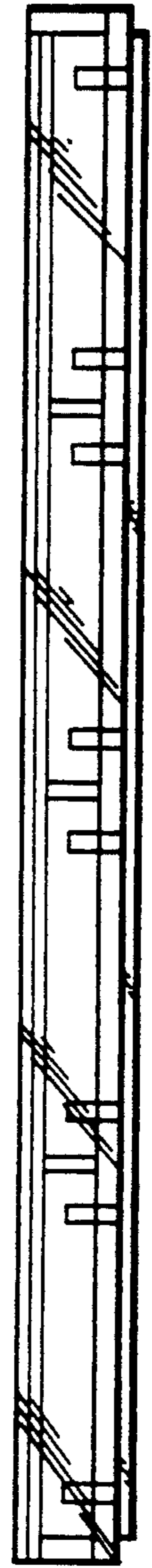


FIG. 6

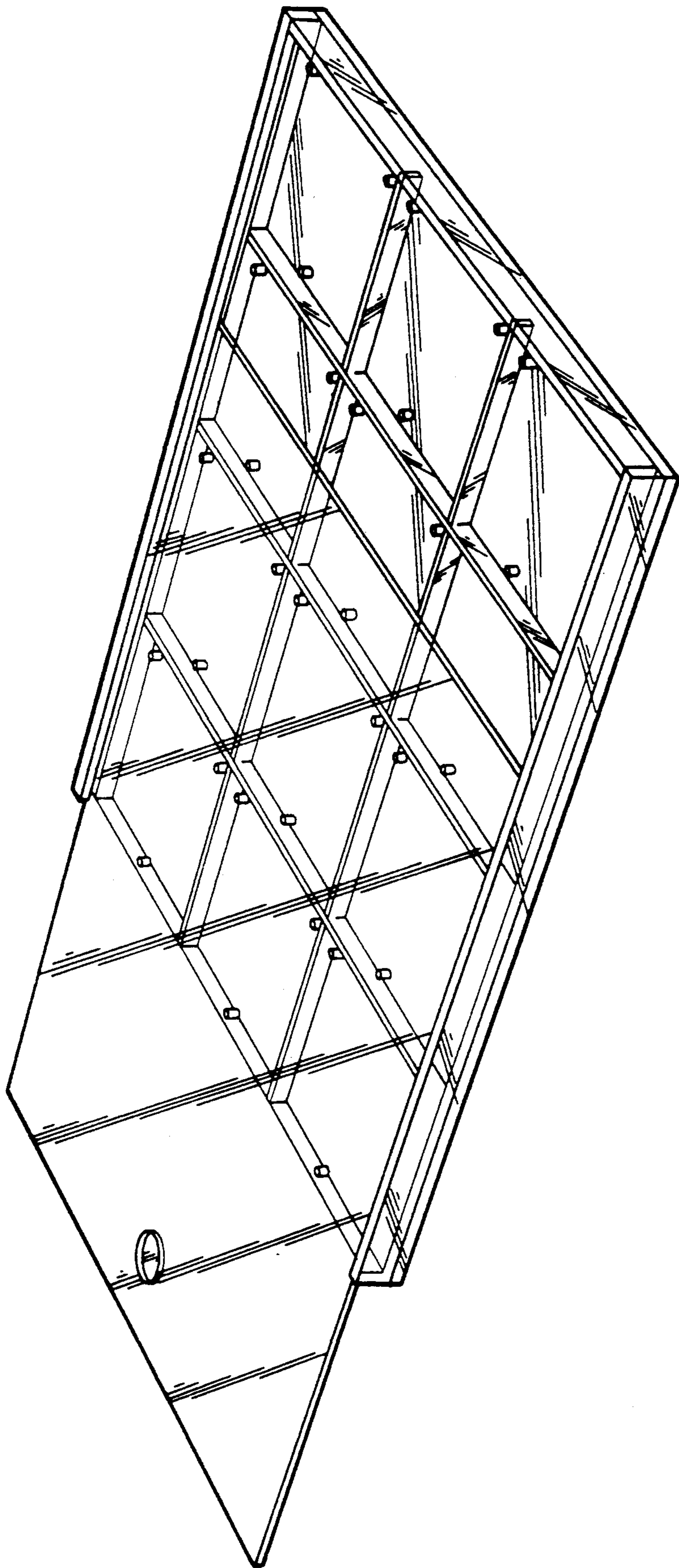


FIG. 2

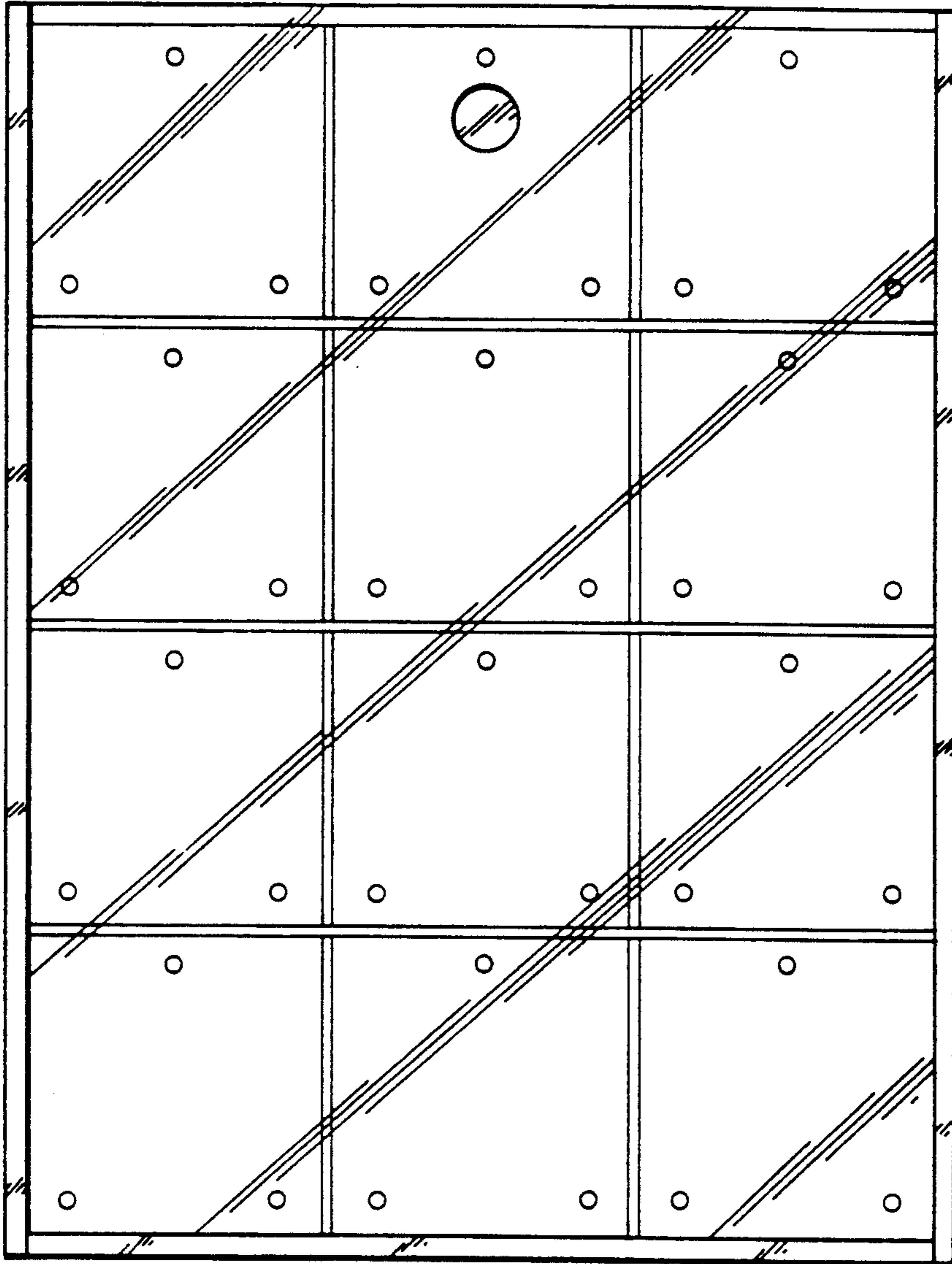


FIG. 3



FIG. 4



FIG. 5

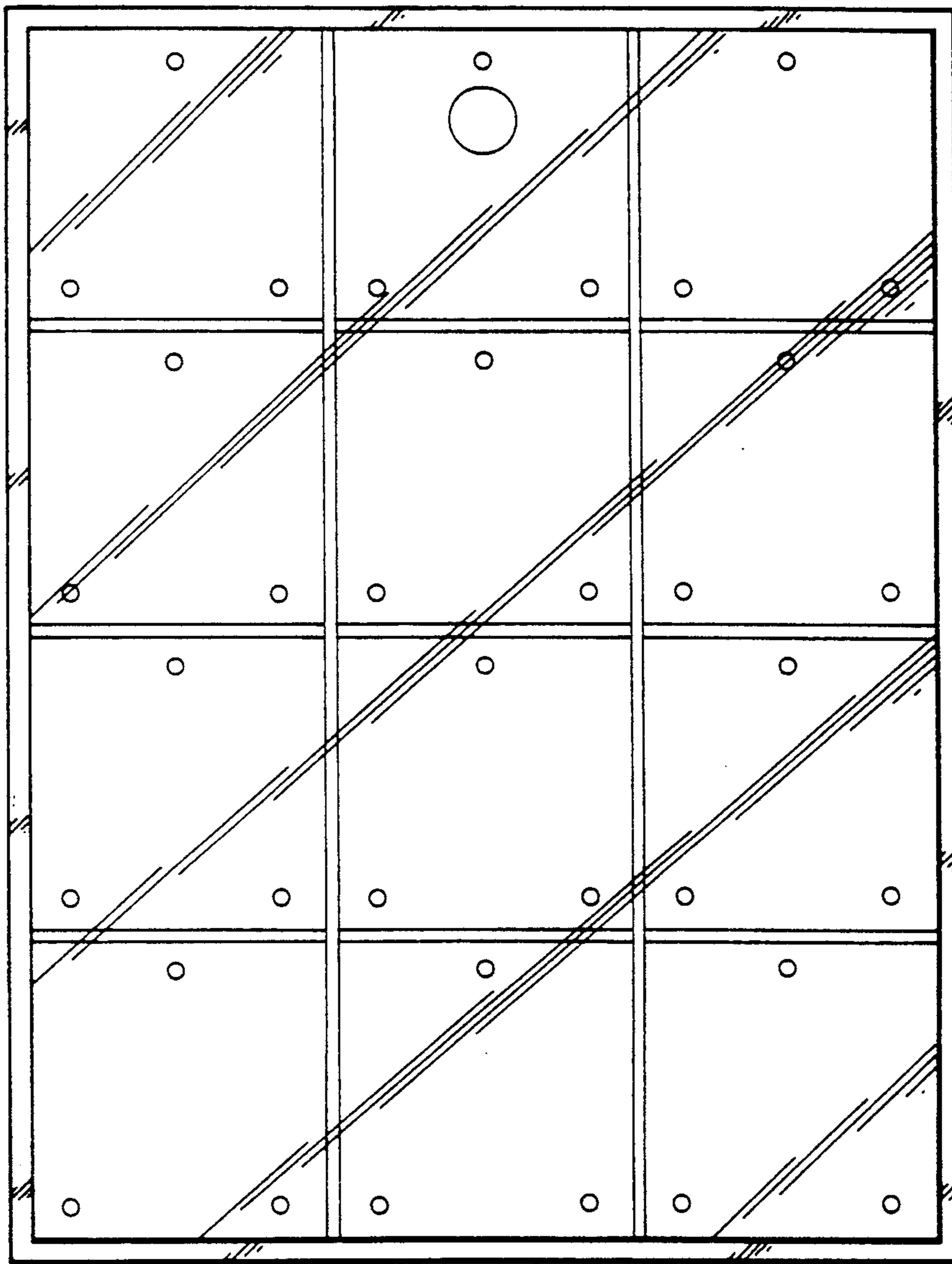


FIG. 7

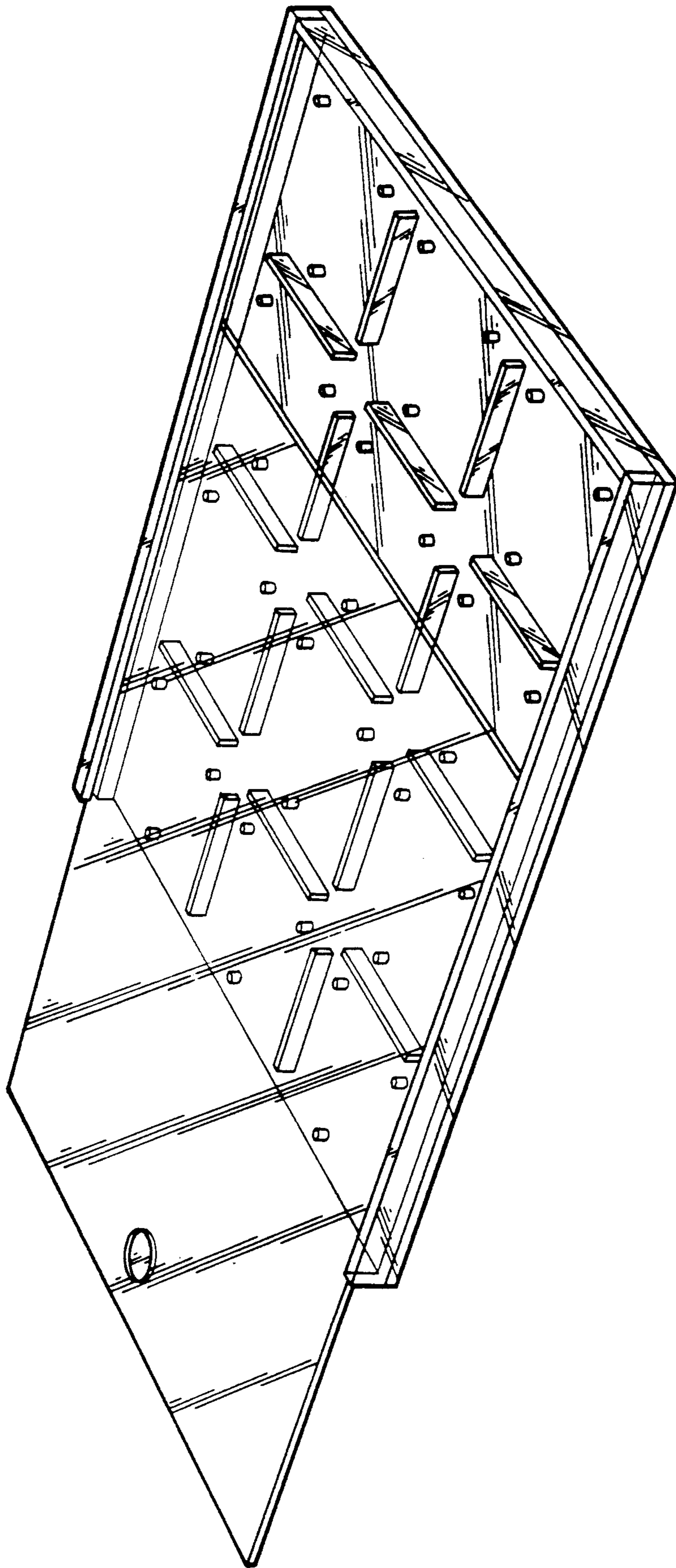


FIG. 8