



US00D342890S

United States Patent [19] Ramierz

[11] Patent Number: **Des. 342,890**
[45] Date of Patent: **** Jan. 4, 1994**

[54] **WEIGHTED TOWEL CLIP**

5,150,485 9/1992 Maguire 5/417

[76] Inventor: **Michael A. Ramierz**, 9035 Topanga Canyon Blvd., West Hills, Calif. 91304

OTHER PUBLICATIONS

Handbook of Designs and Motifs; ©1950; p. 77; floral motif (bottom row-center).

[**] Term: **14 Years**

Primary Examiner—B. J. Bullock
Attorney, Agent, or Firm—S. Michael Bender

[21] Appl. No.: **2,280**

[57] CLAIM

[22] Filed: **Dec. 7, 1992**

The ornamental design for a weighted towel clip, as shown and described.

[52] U.S. Cl. **D8/395**

[58] Field of Search **D8/394, 395; 24/500, 24/501, 502, 509, 510, DIG. 13**

DESCRIPTION

[56] References Cited

U.S. PATENT DOCUMENTS

- D. 304,978 12/1989 Harrington D8/395
- D. 310,323 9/1990 Kiyokane D8/395
- 2,553,070 5/1951 Van Megroot 24/518
- 2,922,209 1/1960 Longhi 24/DIG. 13

FIG. 1 is a front elevational view of the weighted towel clip showing my new design;
FIG. 2 is a rear elevational view thereof;
FIG. 3 is a left side elevational view thereof;
FIG. 4 is a right side elevational view thereof;
FIG. 5 is a top plan view thereof; and,
FIG. 6 is a bottom plan view thereof.

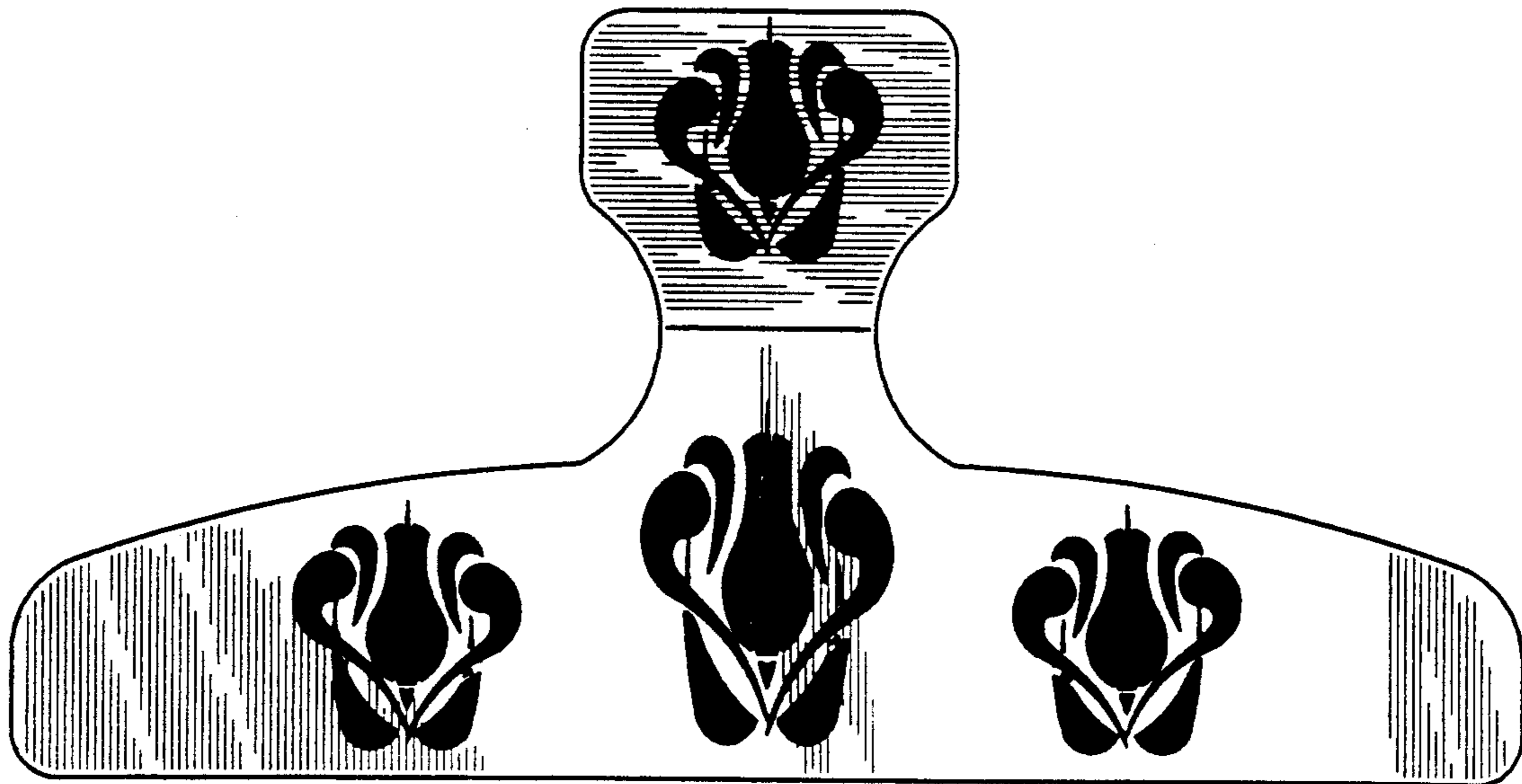
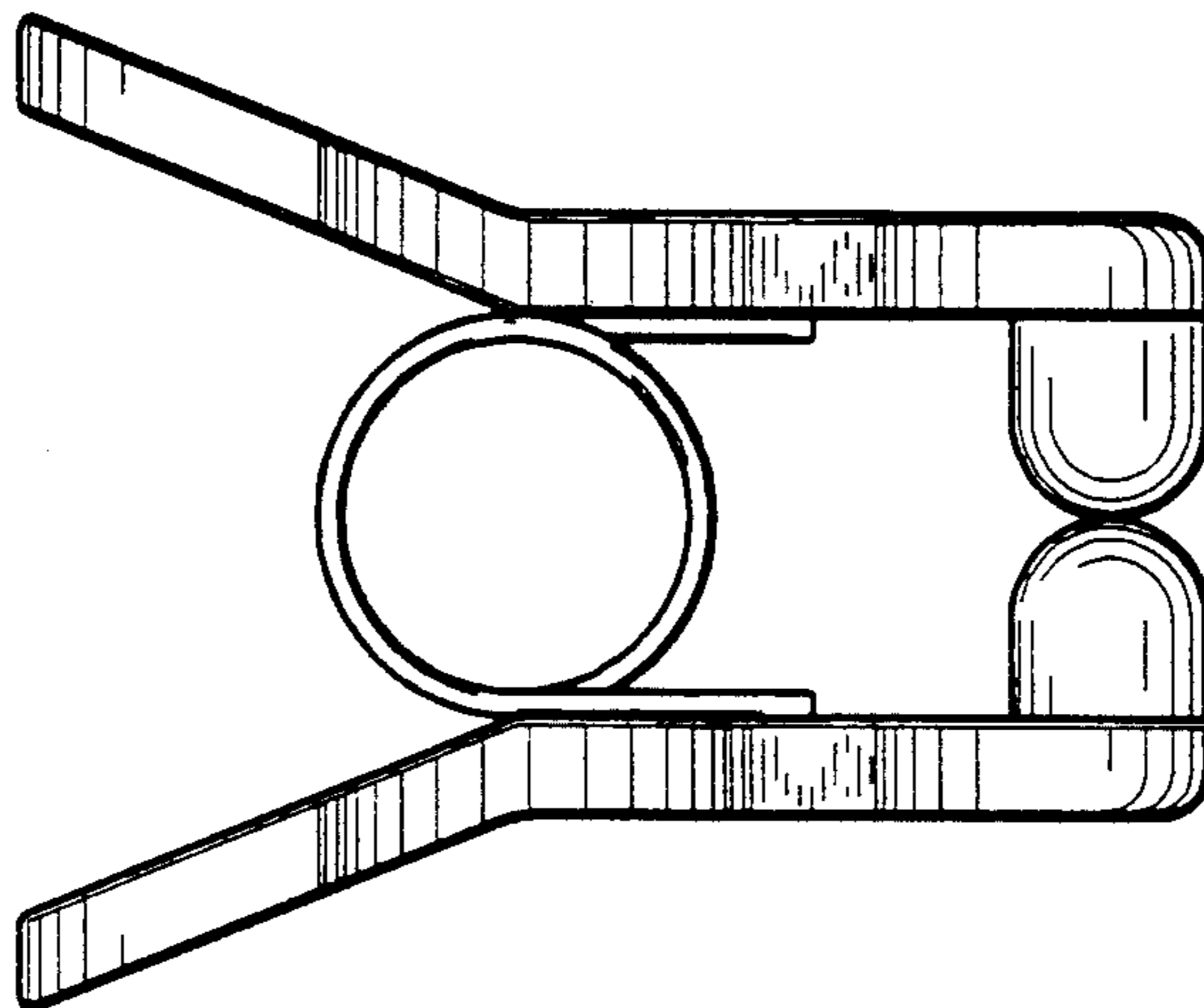


FIG. 1

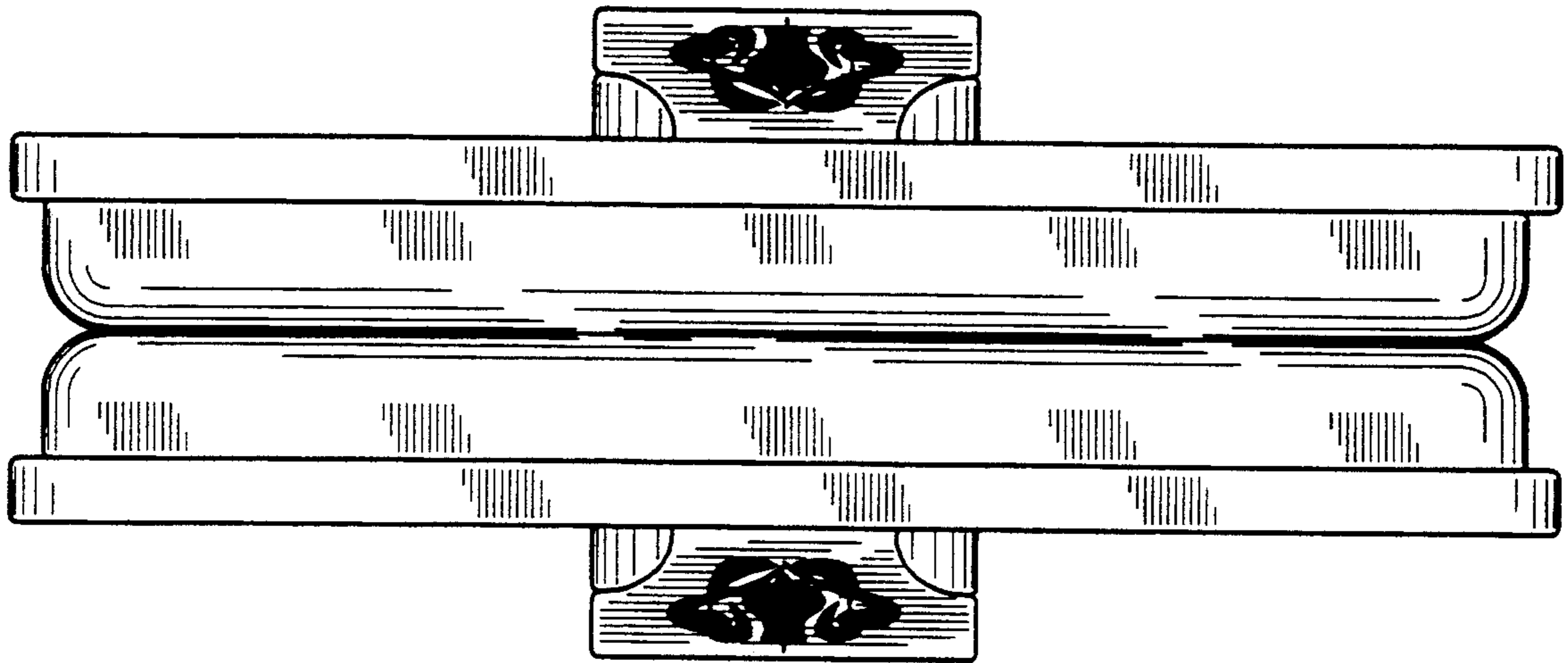


FIG. 2

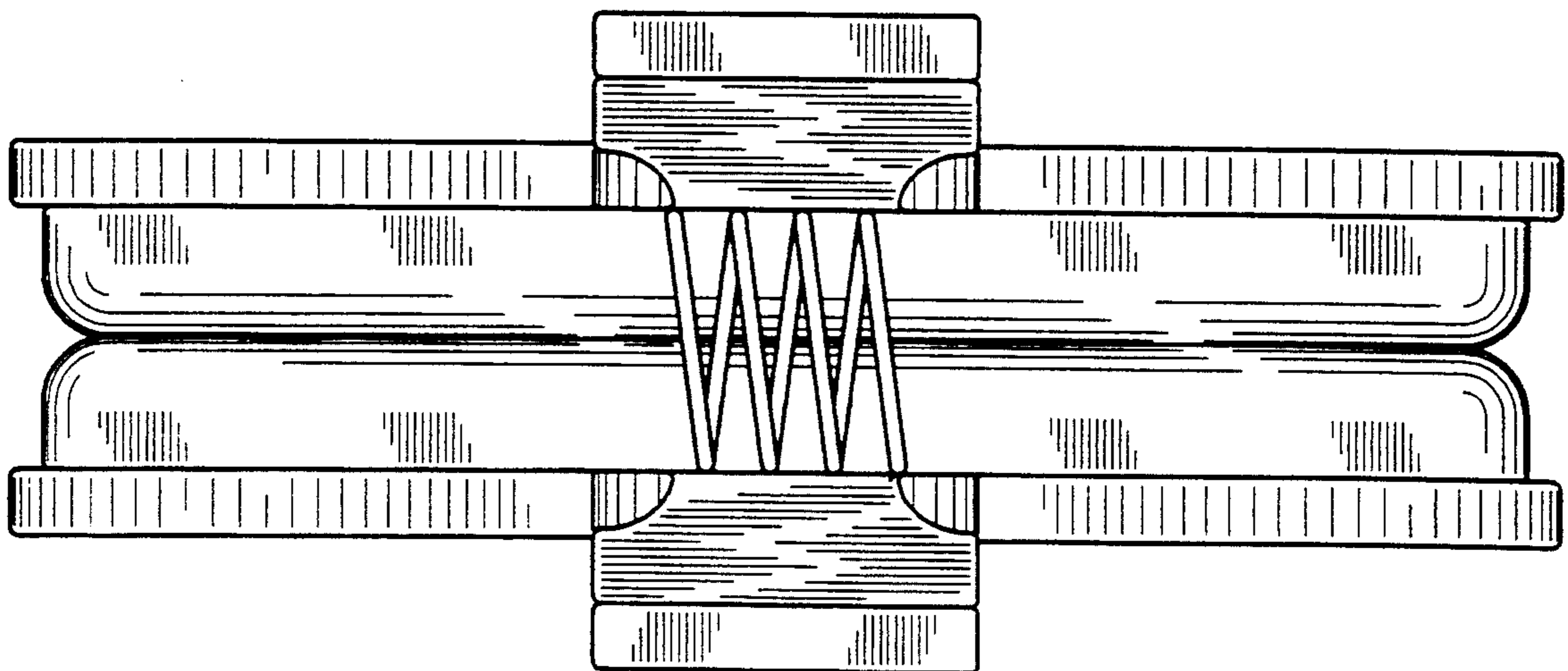


FIG. 3

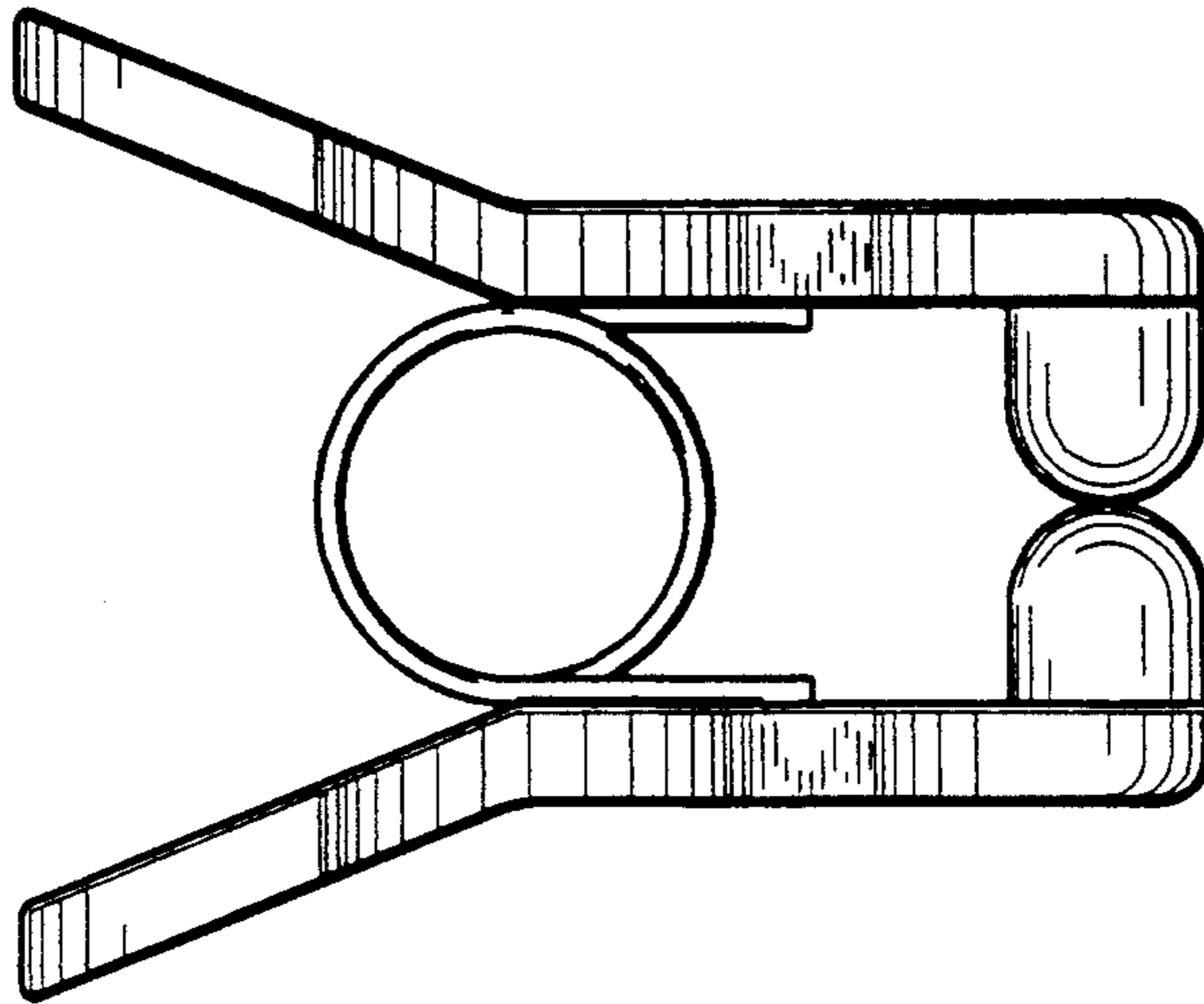


FIG. 4

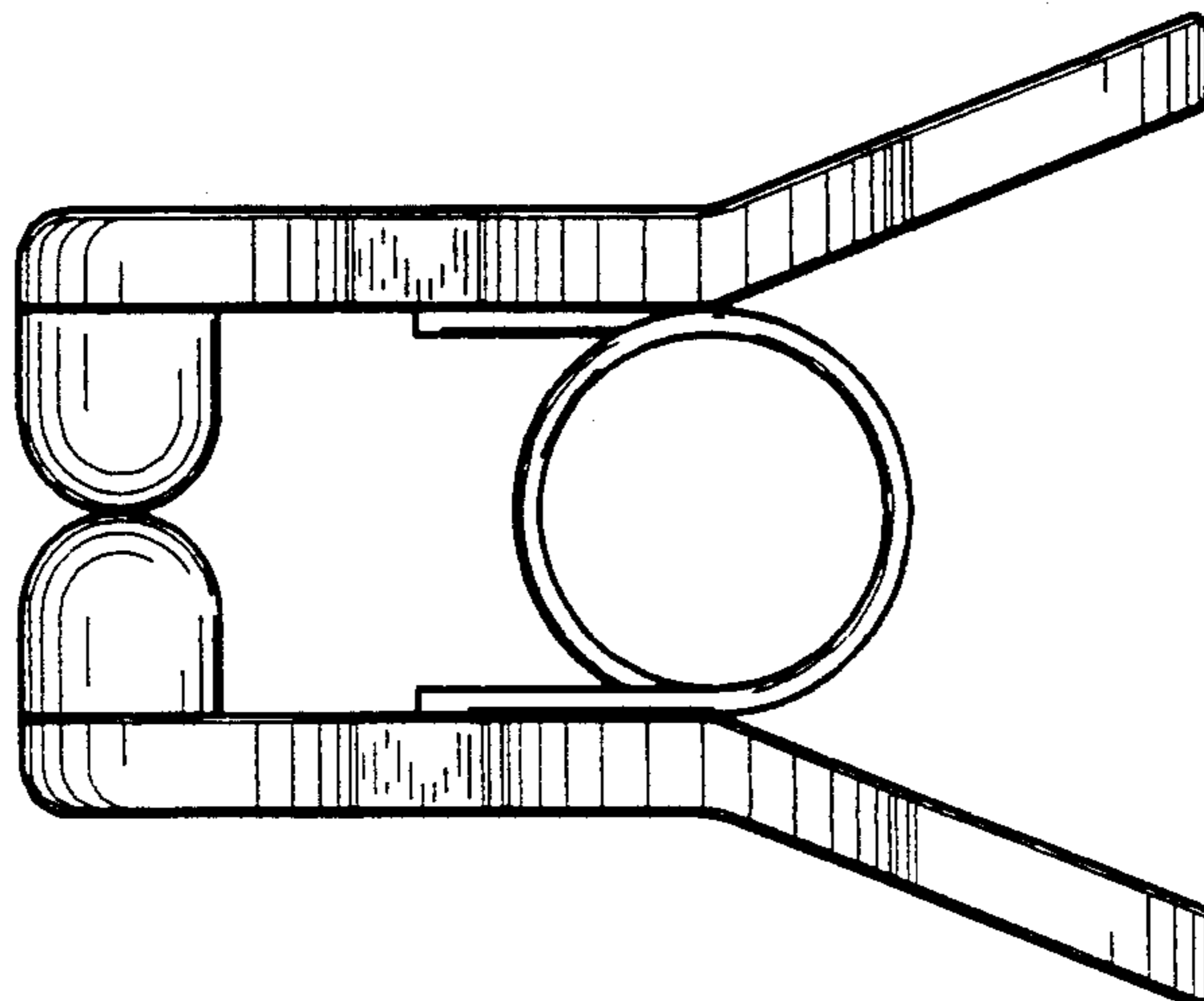


FIG. 5

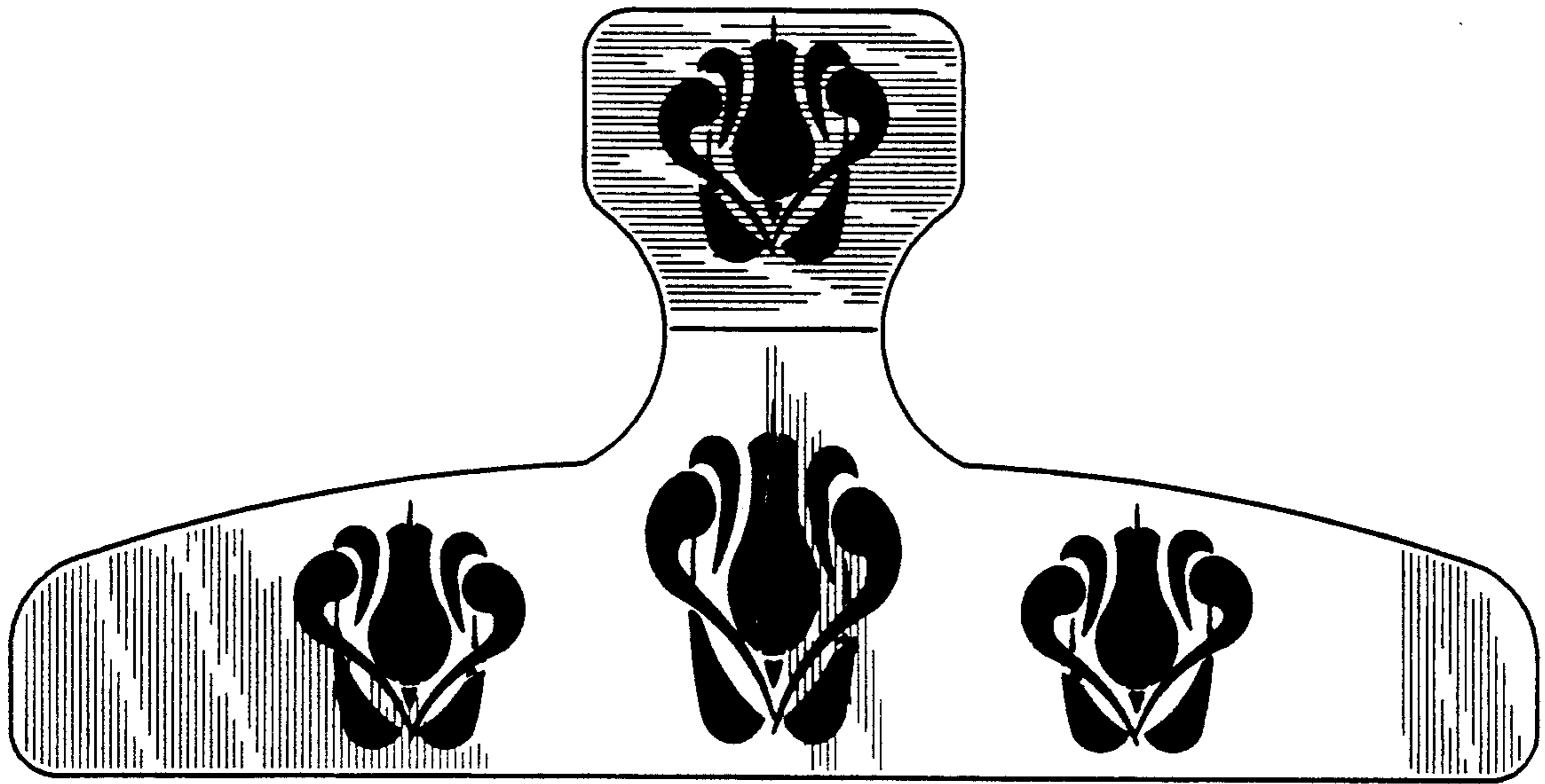


FIG. 6

