



US00D342888S

# United States Patent [19]

[11] Patent Number: **Des. 342,888**

Rutter et al.

[45] Date of Patent: **\*\* Jan. 4, 1994**

[54] **CASTER WHEEL BRAKE**

[75] Inventors: **Bryce G. Rutter**, St. Louis; **James D. Houseman**, St. Charles, both of Mo.

[73] Assignee: **Saf-T-Loc, Inc.**, St. Louis, Mo.

[\*\*] Term: **14 Years**

[21] Appl. No.: **802,930**

[22] Filed: **Oct. 29, 1991**

[52] U.S. Cl. .... **D8/375**

[58] Field of Search ..... **D8/375; 16/18R, 16/18CA, 16/47**

[56] **References Cited**

**U.S. PATENT DOCUMENTS**

D. 210,932 5/1968 Libhart ..... **D8/375**

**OTHER PUBLICATIONS**

Faultless Caster Co., 1965, p. 70, caster, top of page.  
Payson Casters Inc. Feb. 24, 1986, p. 13, caster, located on right middle of page.  
Colson Catalog, Jun. 13, 1988, p. 3, caster brakes, circled item located at bottom of page.

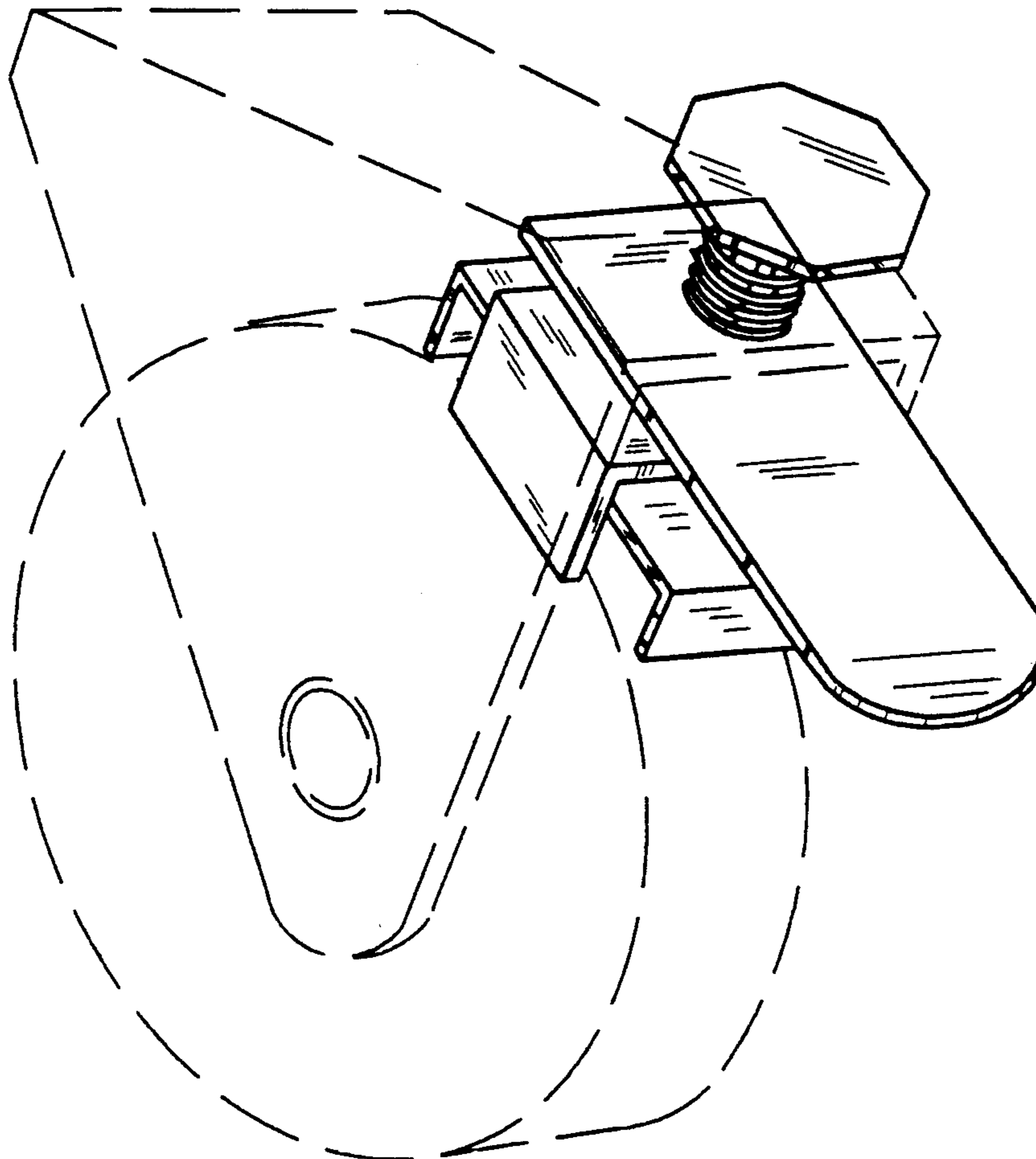
*Primary Examiner*—Wallace R. Burke  
*Assistant Examiner*—H. Baynham  
*Attorney, Agent, or Firm*—Polster, Lieder, Woodruff & Lucchesi

[57] **CLAIM**

The ornamental design for a caster wheel brake, as shown and described.

**DESCRIPTION**

FIG. 1 is a front perspective view of a caster wheel brake showing our new design;  
FIG. 2 is an enlarged front perspective view thereof;  
FIG. 3 is a top, partially in perspective view thereof at a reduced scale;  
FIG. 4 is a bottom, partially in perspective view thereof;  
FIG. 5 is an enlarged left side elevational view thereof;  
FIG. 6 is a right side elevational view thereof;  
FIG. 7 is a front, partially in perspective view thereof; and,  
FIG. 8 is a rear, partially in perspective view thereof.  
The broken line showing of a caster wheel is for illustrative purposes only and forms no part of the claimed design.



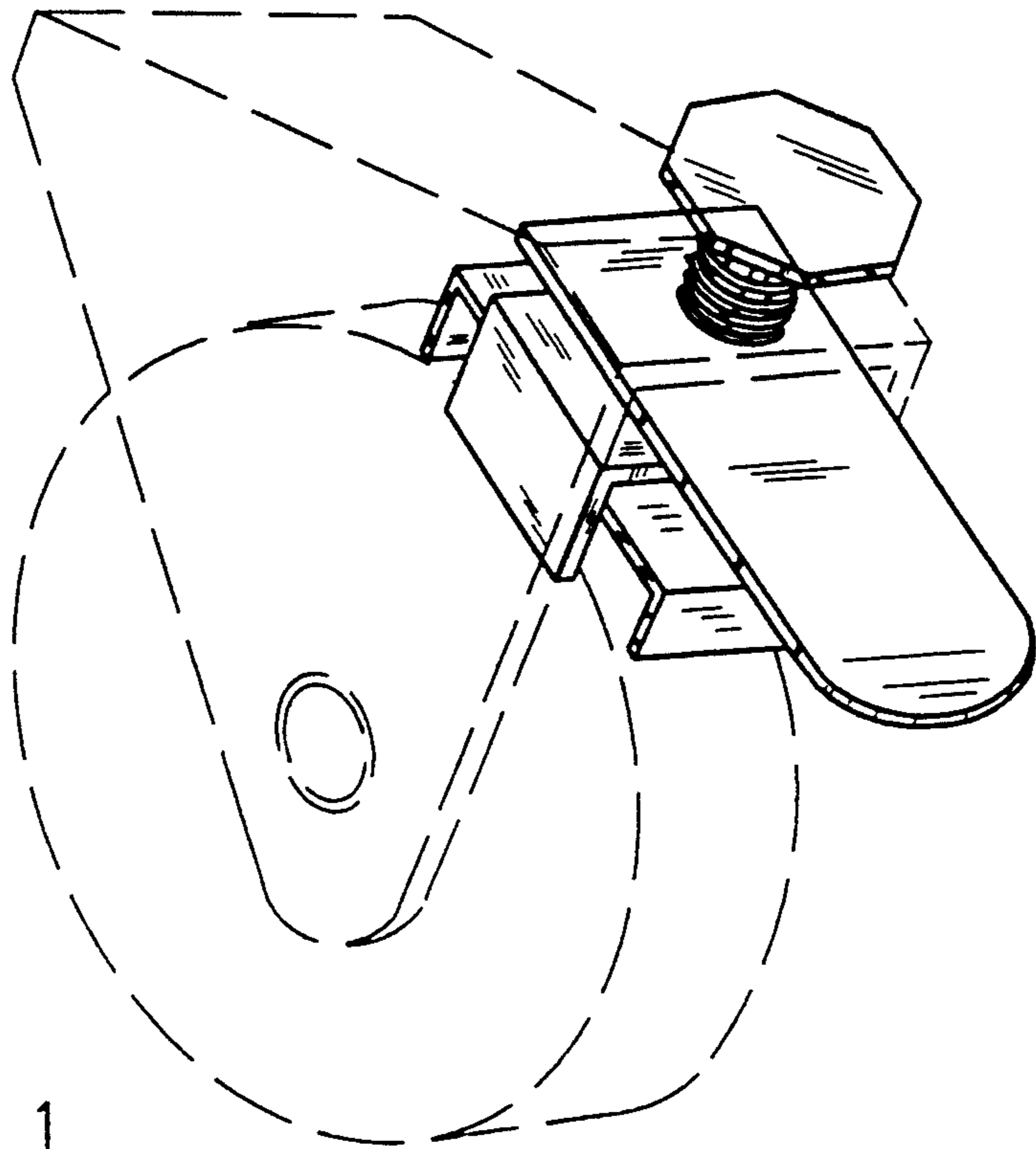


FIG. 1

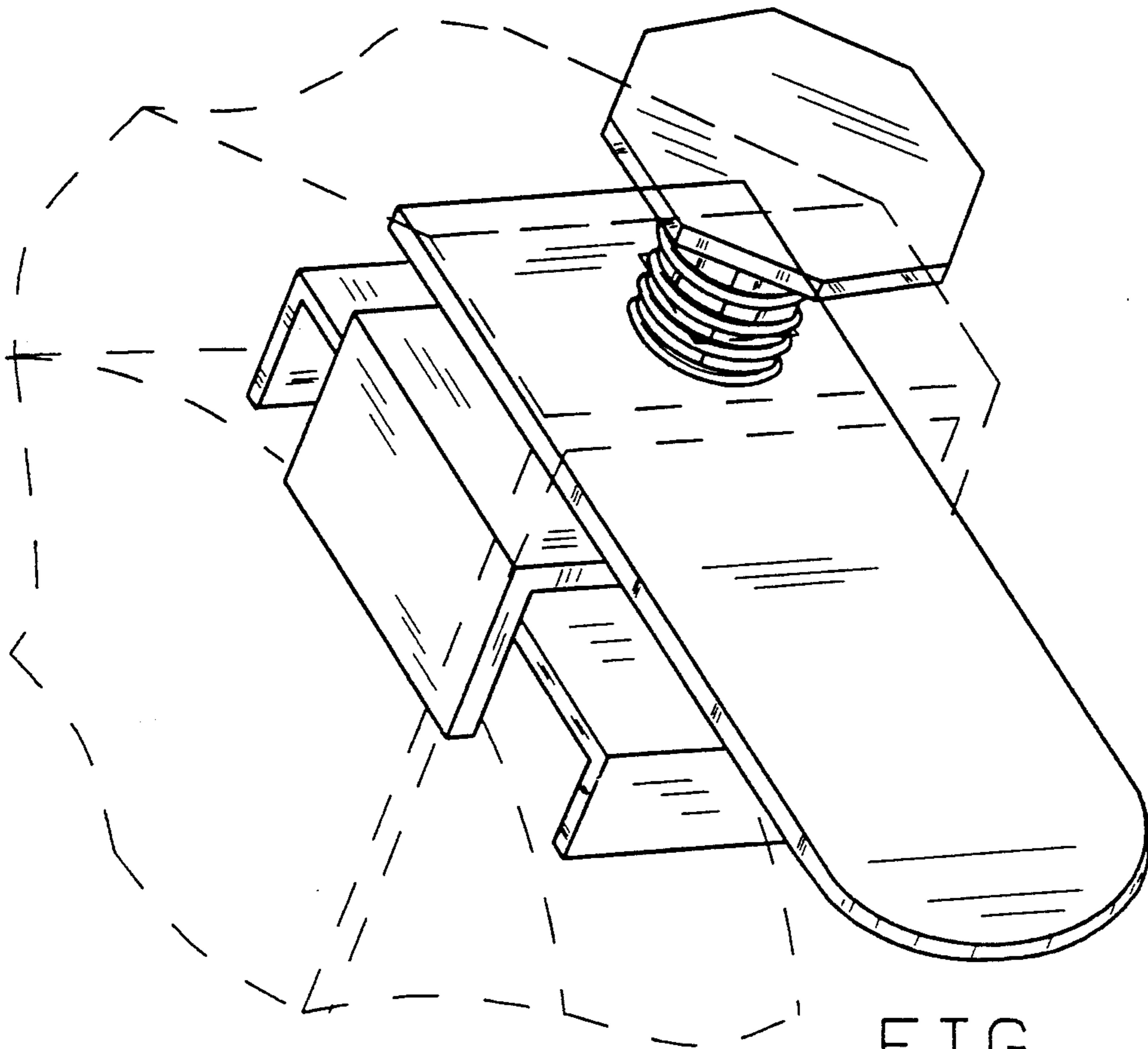


FIG. 2

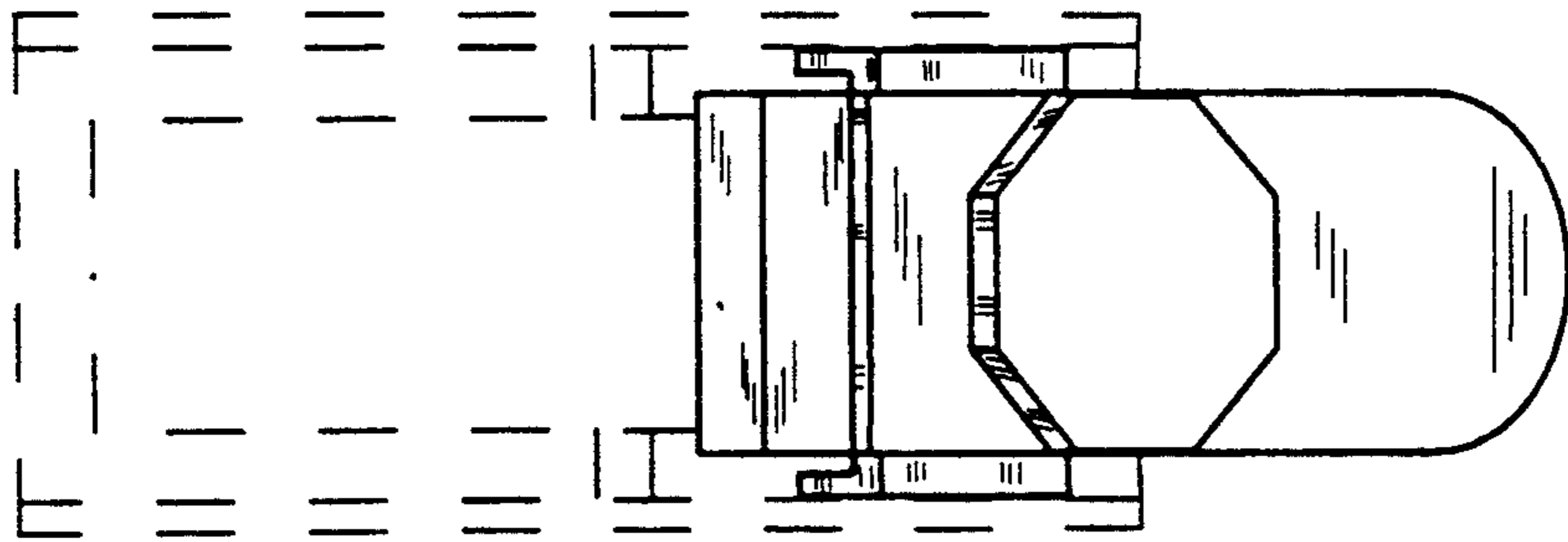


FIG. 3



FIG. 4

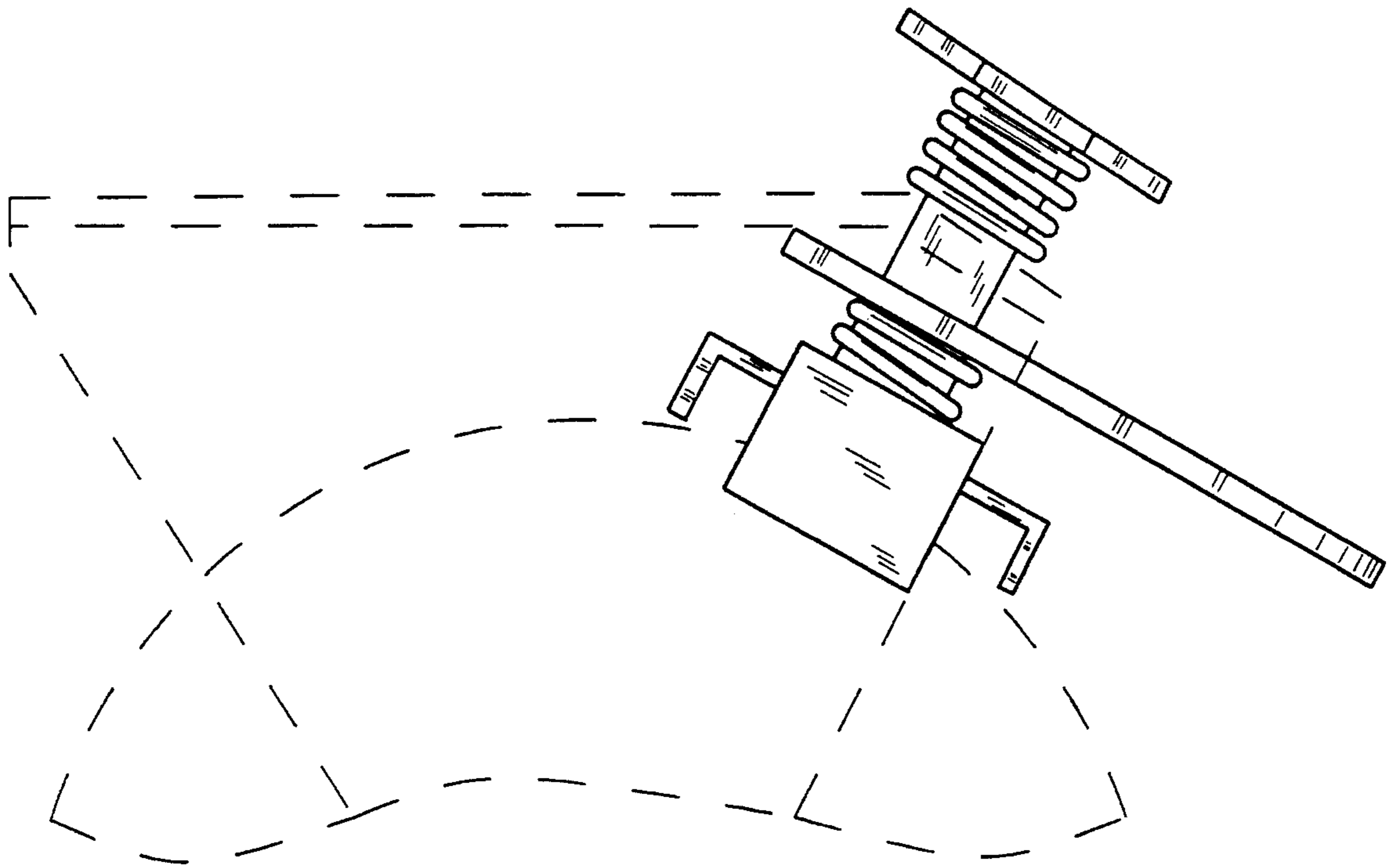


FIG. 5

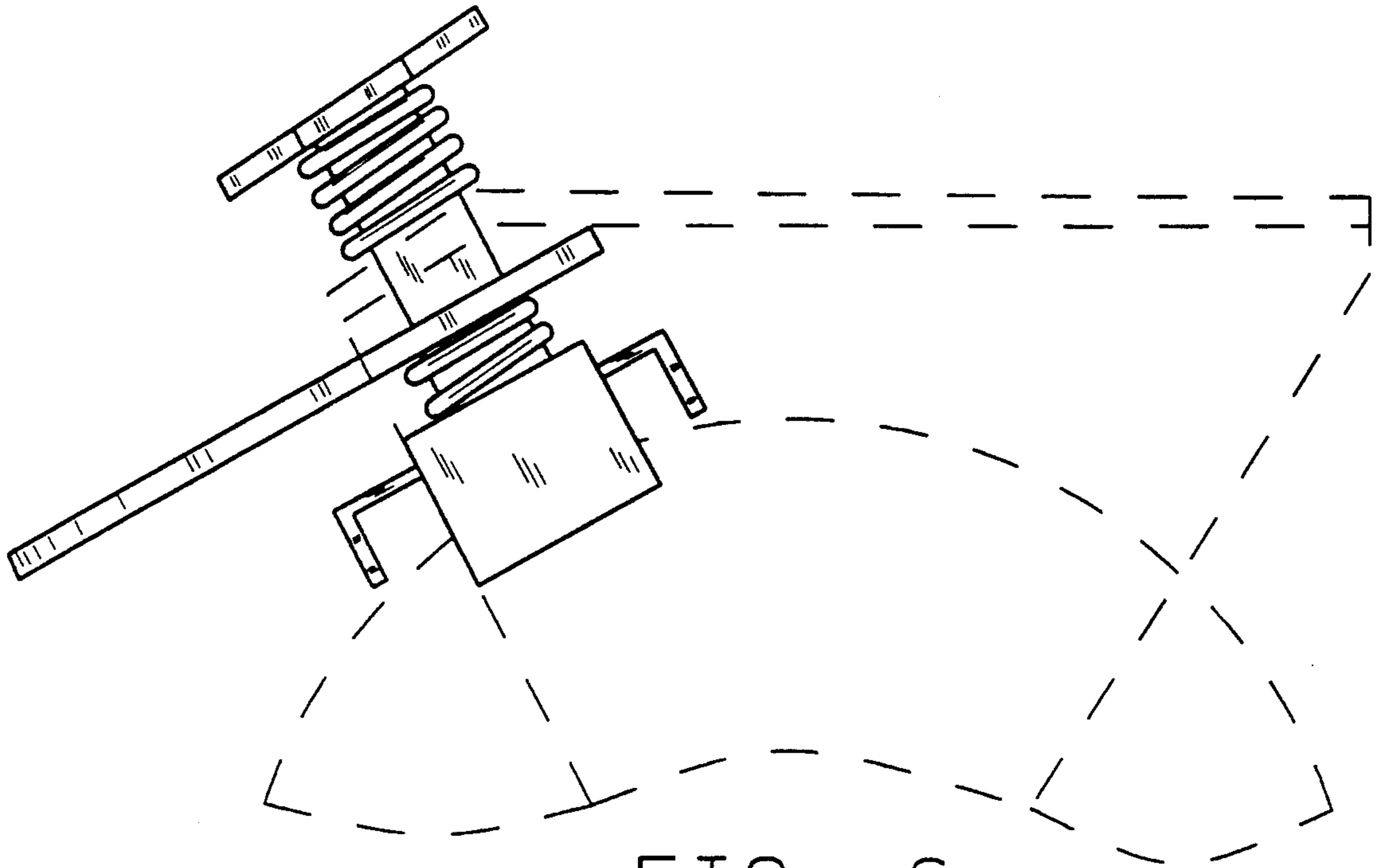


FIG. 6

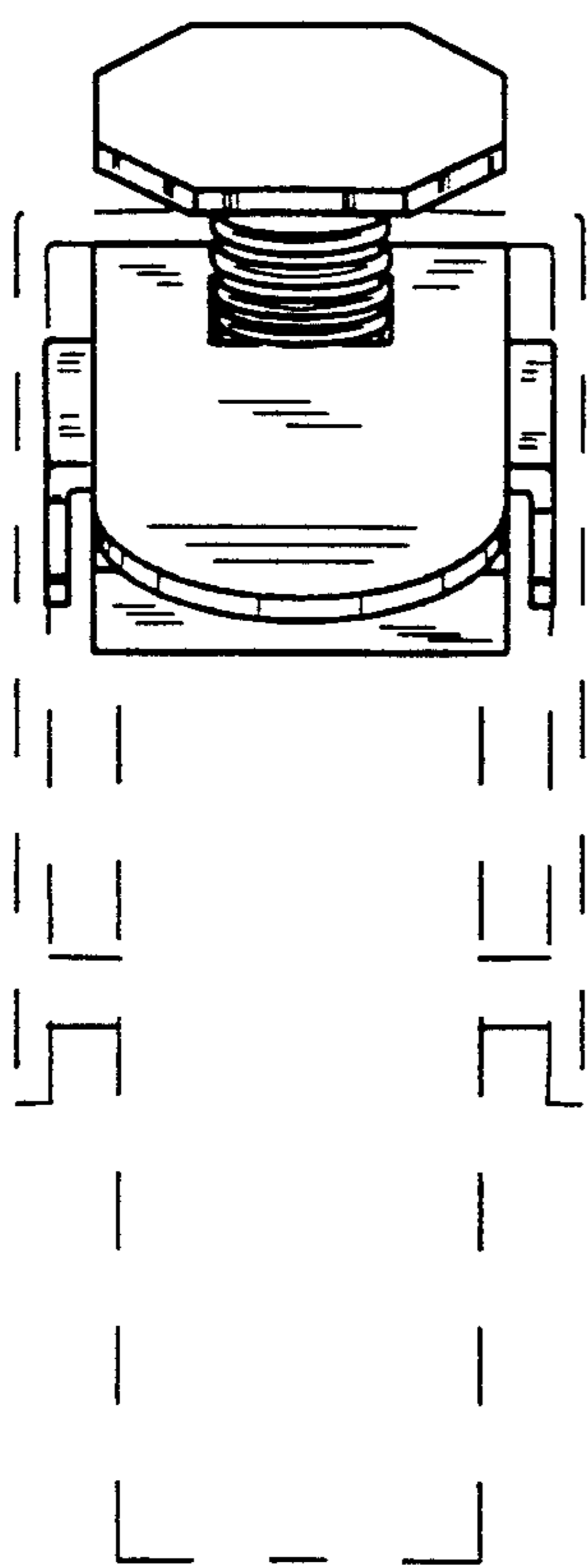


FIG. 7

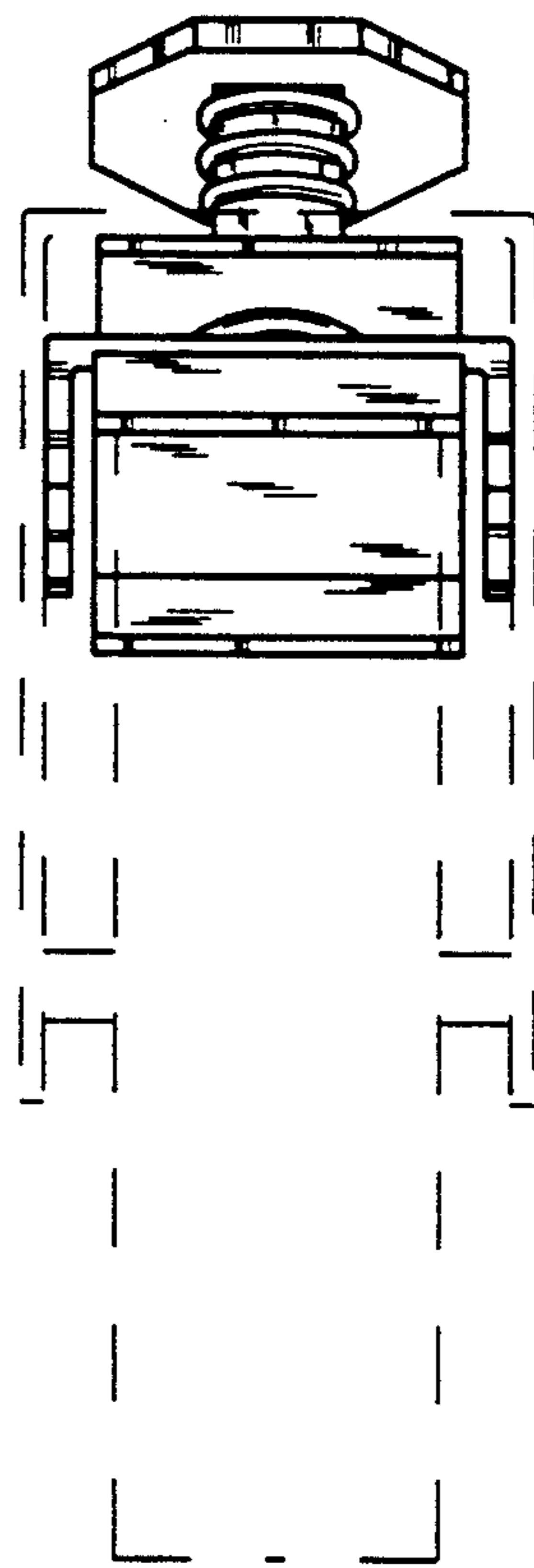


FIG. 8