



US00D342887S

United States Patent [19]

[11] Patent Number: **Des. 342,887**

Eizen

[45] Date of Patent: **** Jan. 4, 1994**

[54] KEY BLANK

[75] Inventor: **Noach Eizen, Lezion, Israel**

[73] Assignee: **Mul-T-Lock Ltd., Yavne, Israel**

[**] Term: **14 Years**

[21] Appl. No.: **643,668**

[22] Filed: **Jan. 18, 1991**

[30] Foreign Application Priority Data

Jul. 23, 1990 [IL] Israel 16728

[52] U.S. Cl. **D8/347**

[58] Field of Search **D8/347-348;**
70/336, 344, 393, 395, 402, 405, 408, 456, R

[56] References Cited

U.S. PATENT DOCUMENTS

D. 278,880	5/1985	Widen	D8/347
D. 333,973	3/1993	Eizen	D8/347
3,349,589	10/1967	Fricke	70/395
3,780,393	12/1973	Gaetke	D8/347 X
4,922,229	5/1990	Guenst	D8/347 X

OTHER PUBLICATIONS

Ilco Unicam Catalogue No. 60R (1984) p. S6, Lowe & Fletcher LF3 Key.

Ilco Unicam Catalogue No. 60R (1984) p. 116 Chrysler Sec. Key.

Primary Examiner—Brian N. Vinson
Attorney, Agent, or Firm—Ladas & Parry

[57] CLAIM

The ornamental design for a key blank, as shown and described.

DESCRIPTION

FIG. 1 is a front elevational view of a key blank showing my new design;

FIG. 2 is an enlarged horizontal cross-sectional view thereof, taken midway along the length of the key blade;

FIG. 3 is a right side elevational view thereof;

FIG. 4 is a top plan view thereof;

FIG. 5 is a rear elevational view thereof;

FIG. 6 is a left side elevational view thereof; and,

FIG. 7 is a bottom plan view thereof.

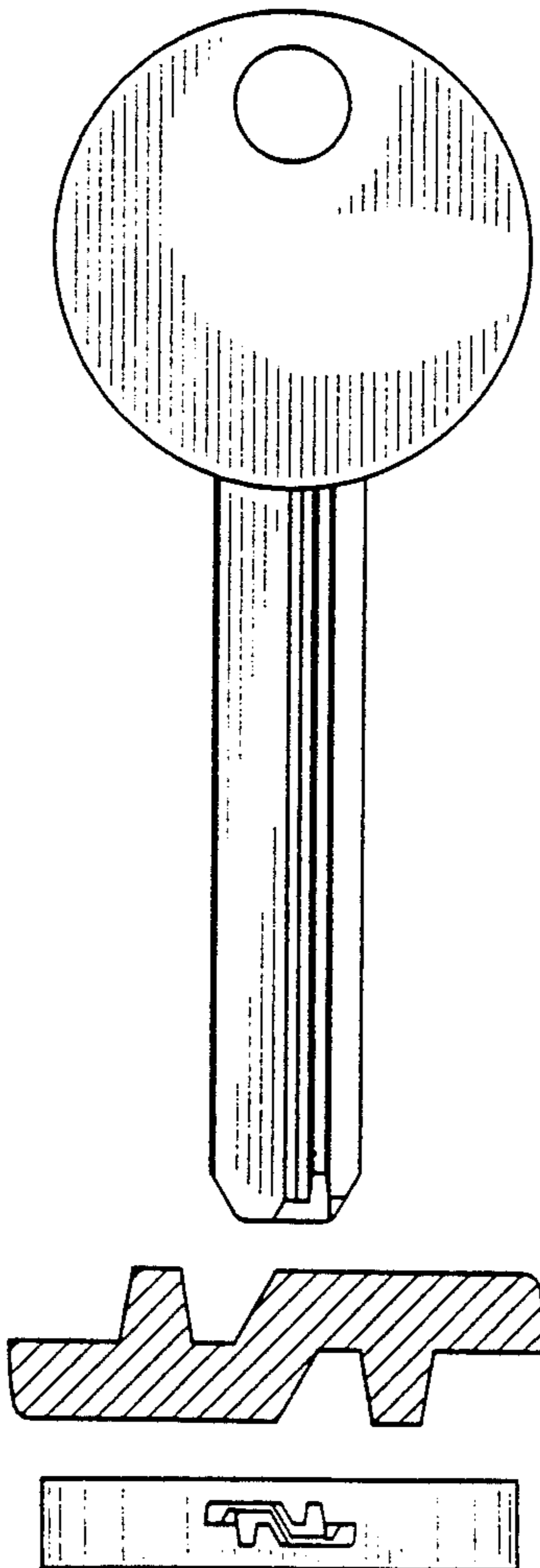




FIG. 4

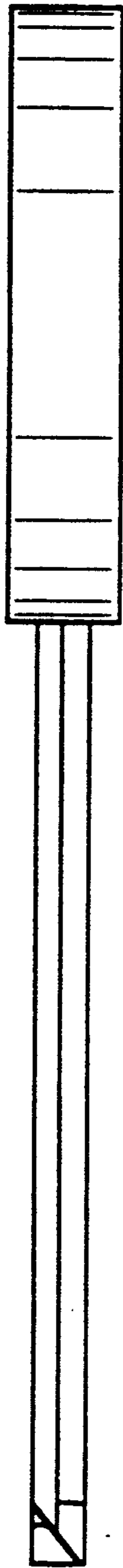


FIG. 3

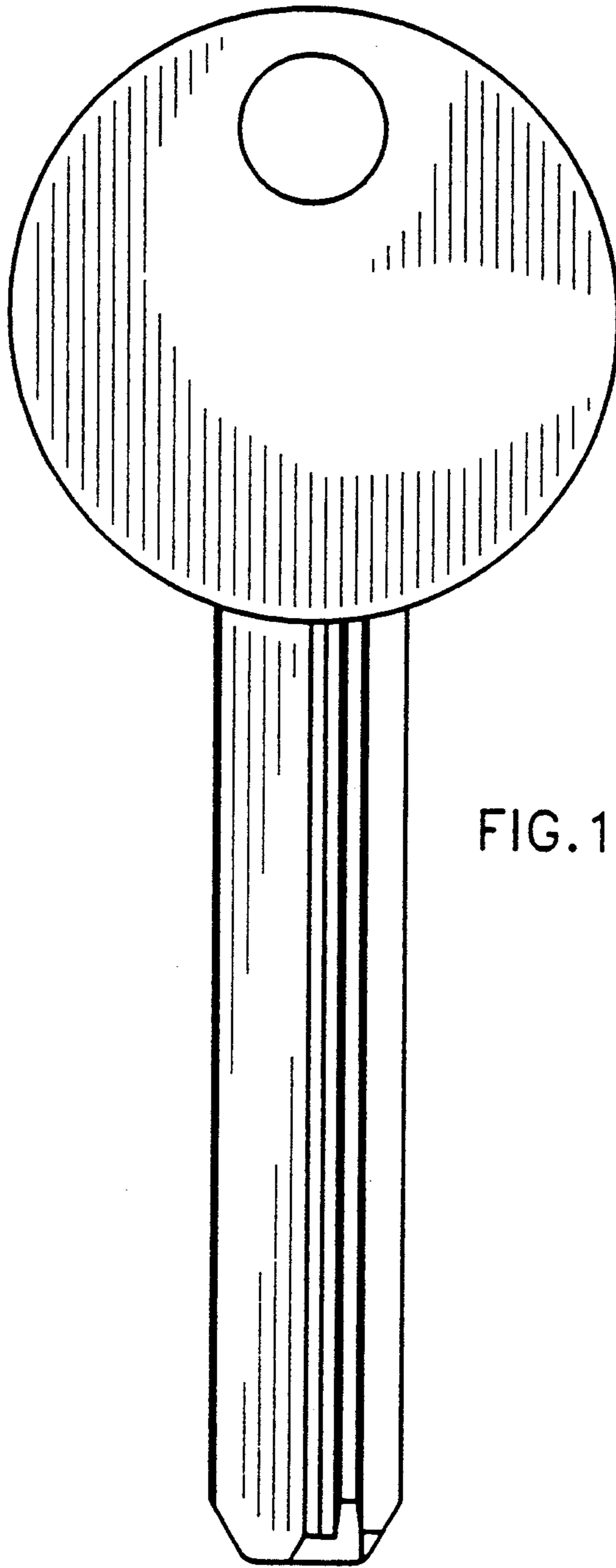


FIG. 1

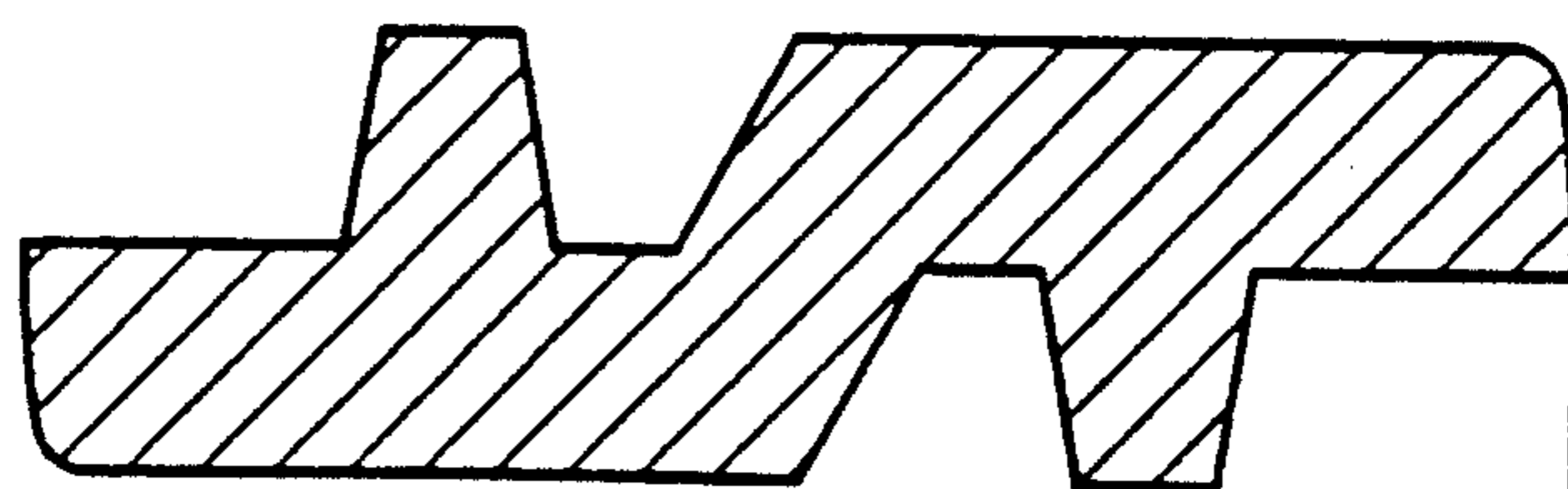


FIG. 2

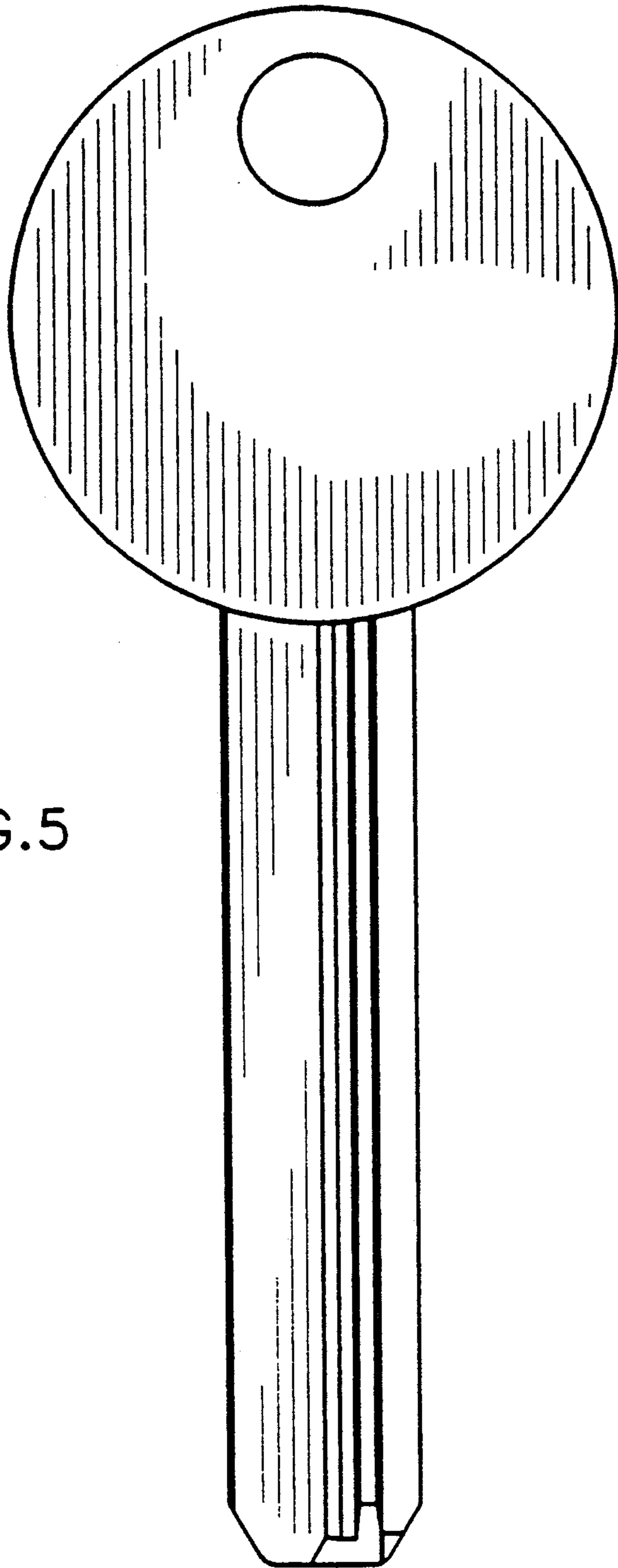


FIG. 5

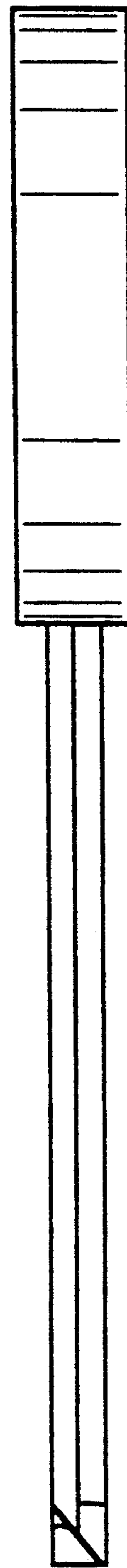


FIG. 6

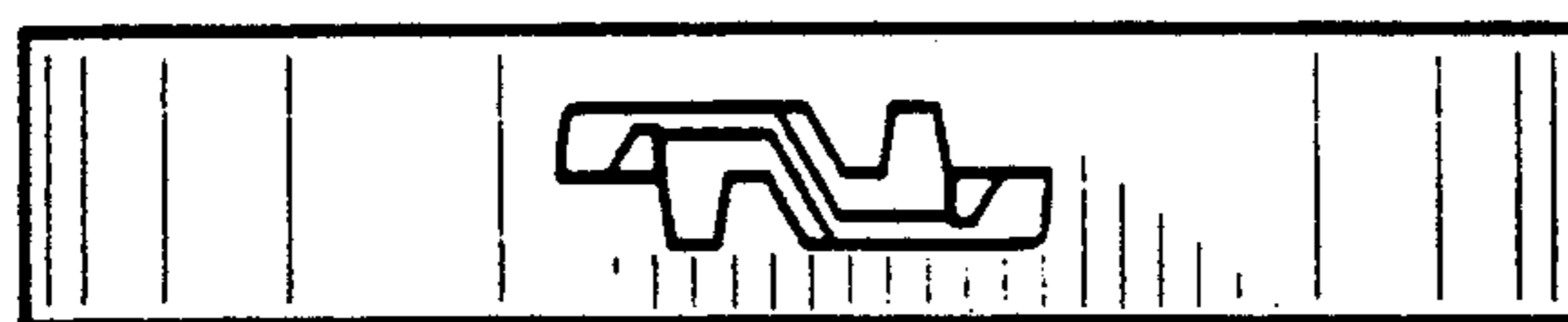


FIG. 7