



US00D342885S

United States Patent [19]

[11] Patent Number: **Des. 342,885**

Keller

[45] Date of Patent: **** Jan. 4, 1994**

[54] DOOR LATCH

[76] Inventor: **Gary Keller**, 1000 S. Broadway,
Salem, Ohio 44460

[**] Term: **14 Years**

[21] Appl. No.: **710,941**

[22] Filed: **Jun. 6, 1991**

[52] U.S. Cl. **D8/331; D8/343**

[58] Field of Search **D8/330-331, 343, 344;**
292/DIG, 17, 163, 169.19, 177

[56] References Cited

U.S. PATENT DOCUMENTS

4,804,216 2/1989 Marotto 292/1 X

OTHER PUBLICATIONS

Schlage Builders Hardware Catalogue (1962) p. F-11
Latch Unit F2332.

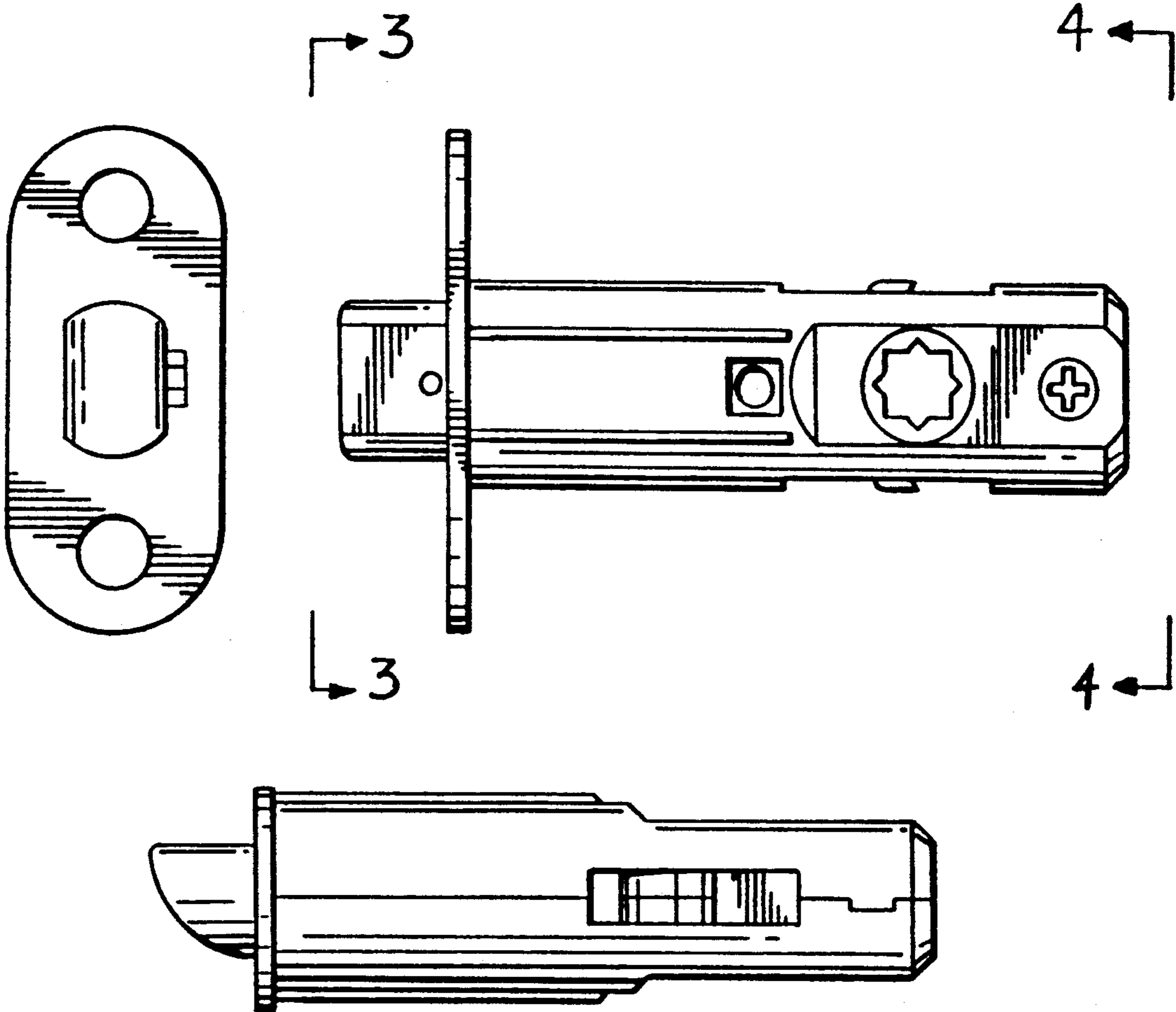
Primary Examiner—Brian N. Vinson
Attorney, Agent, or Firm—Harpman & Harpman

[57] CLAIM

The ornamental design for a door latch, as shown and described.

DESCRIPTION

FIG. 1 is a top plan view of the door latch;
FIG. 2 is a bottom plan view thereof;
FIG. 3 is an end view on lines 3—3 of FIG. 1;
FIG. 4 is an end view on lines 4—4 of FIG. 1; and,
FIG. 5 is a side plan view thereof.



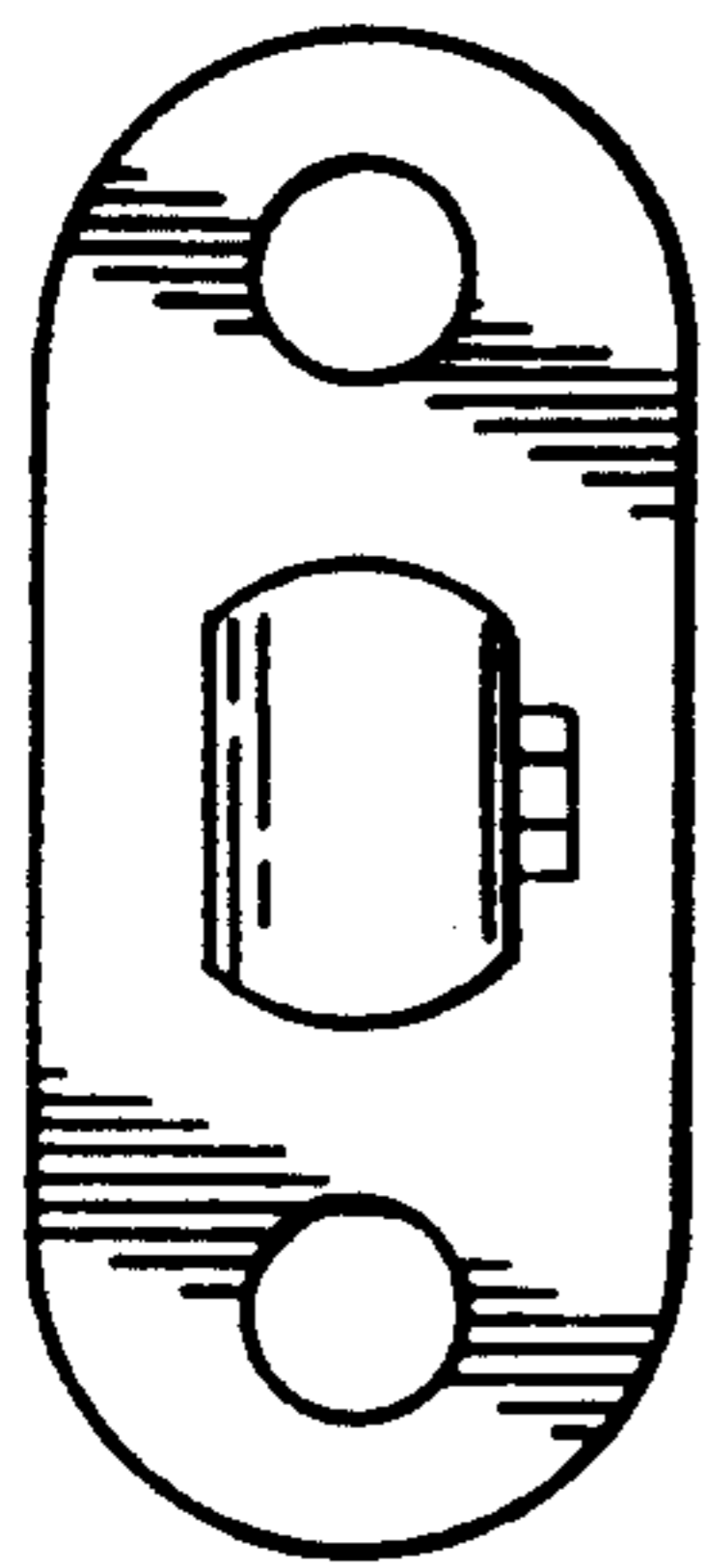


FIG. 3

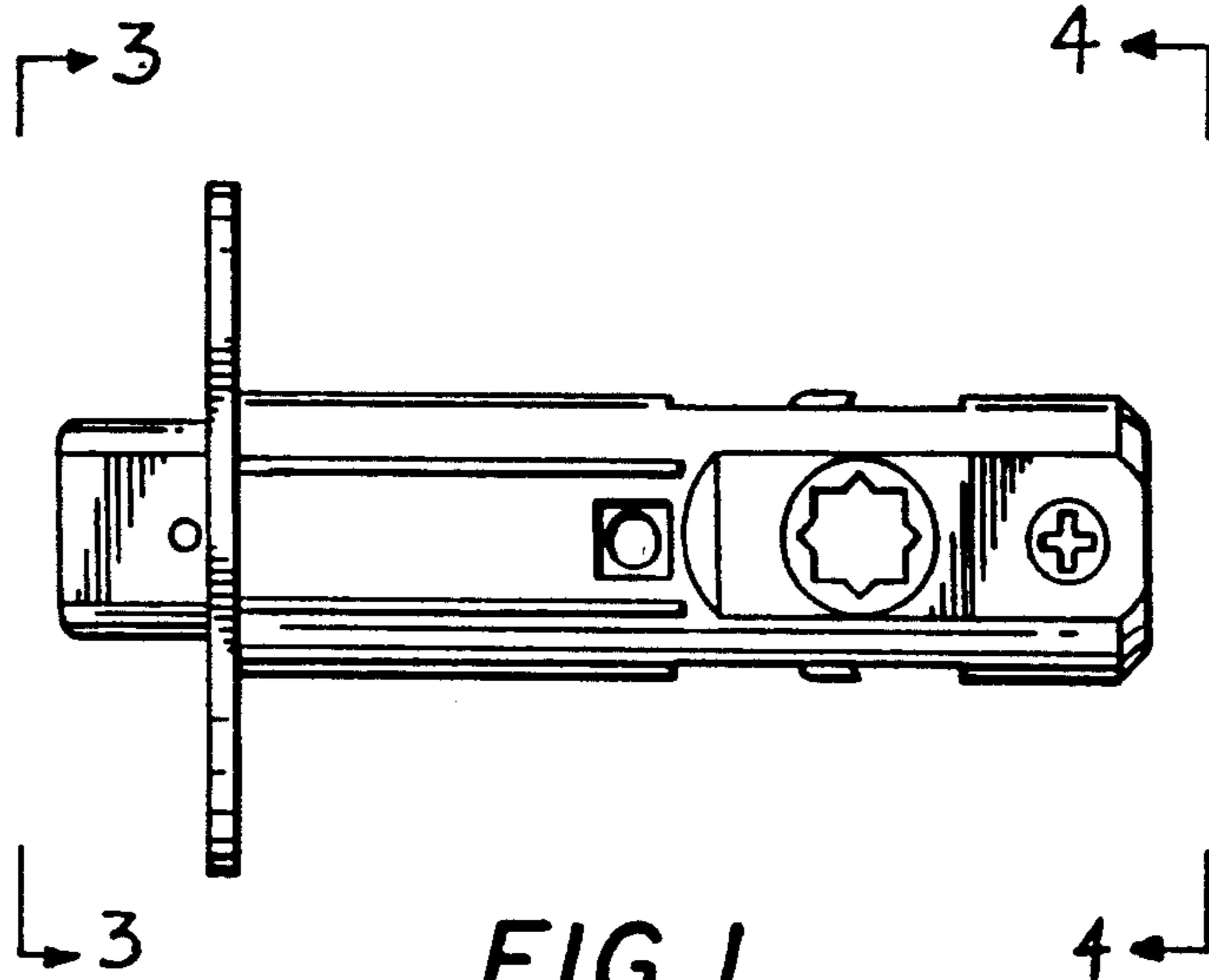


FIG. 1

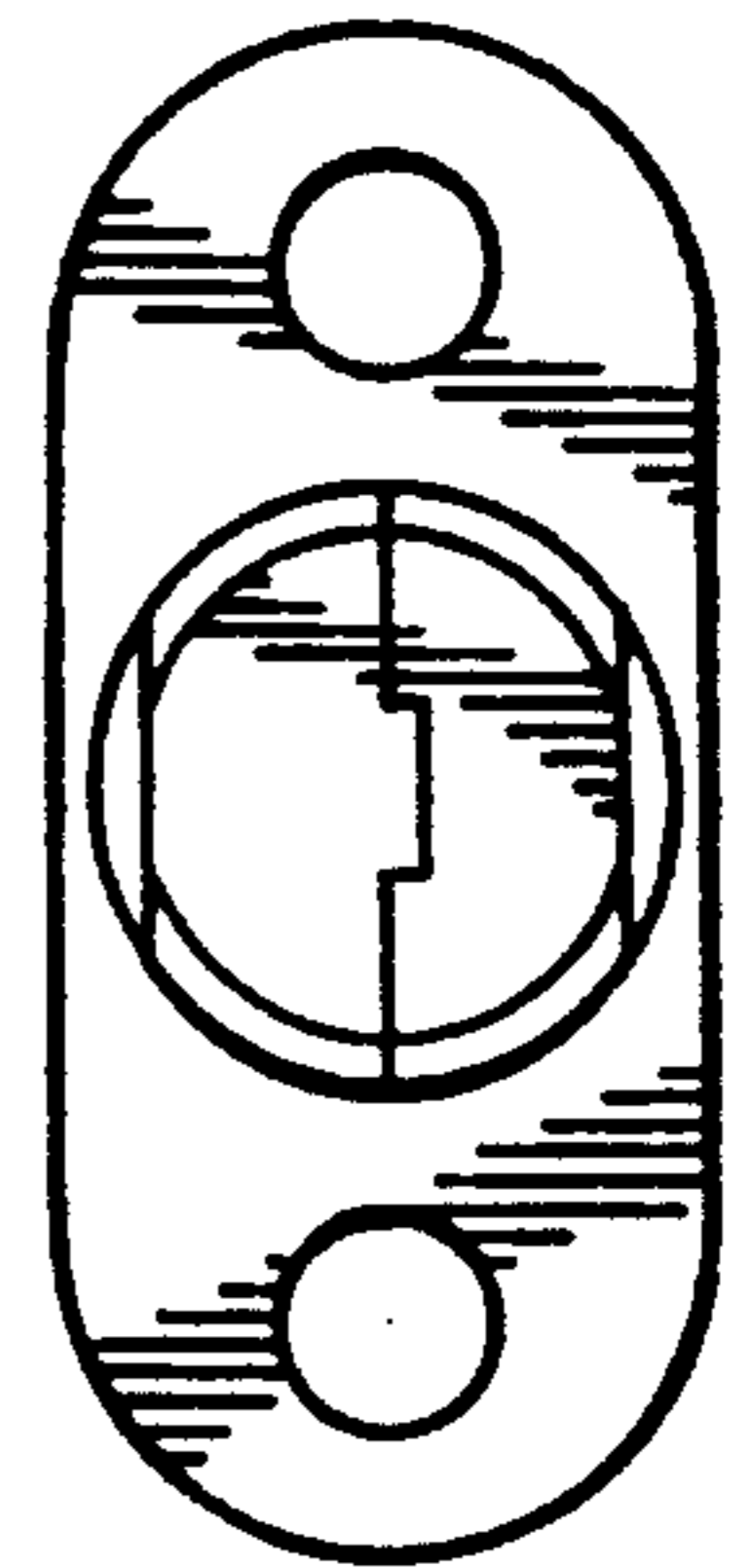


FIG. 4

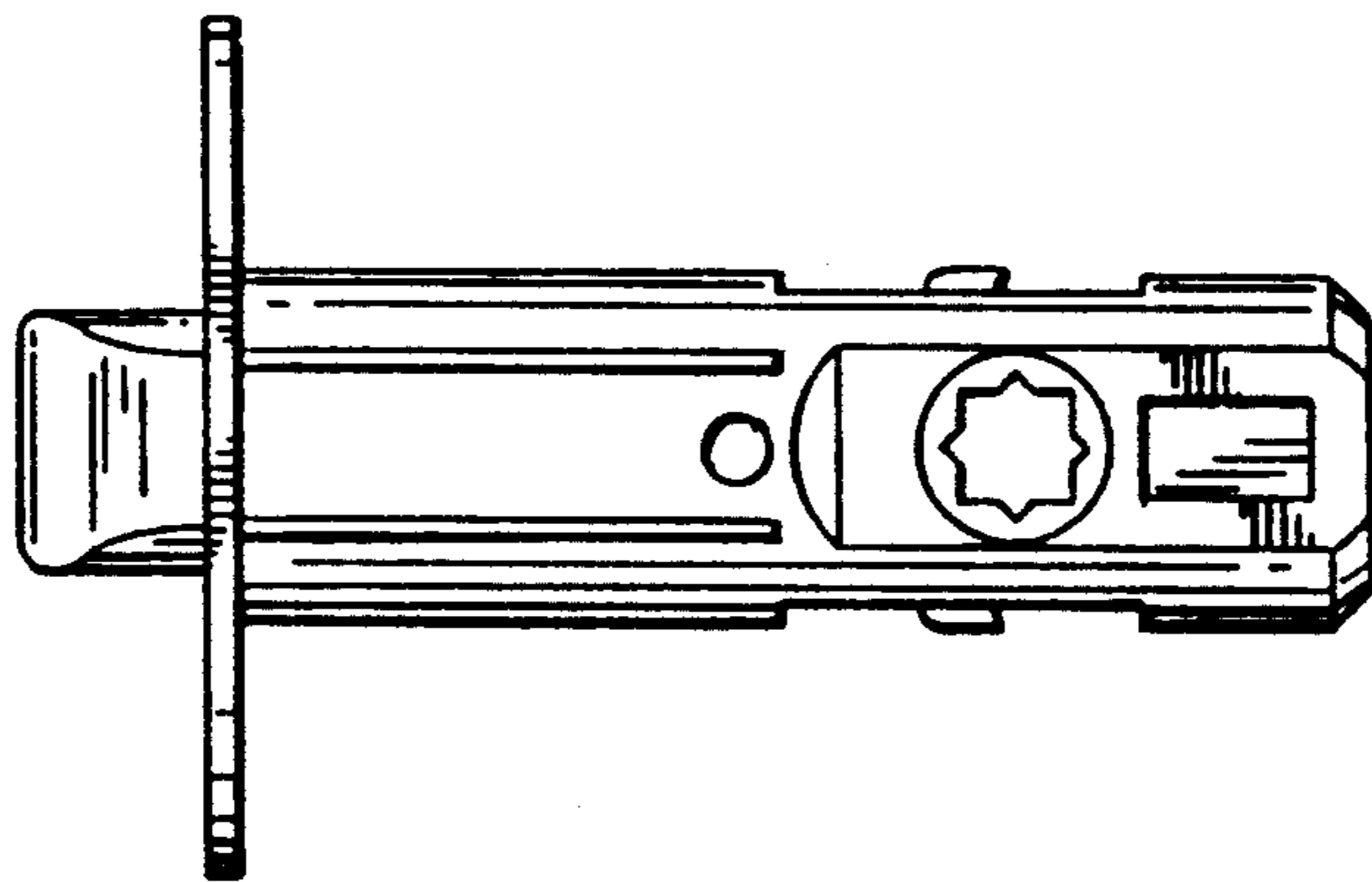


FIG. 2

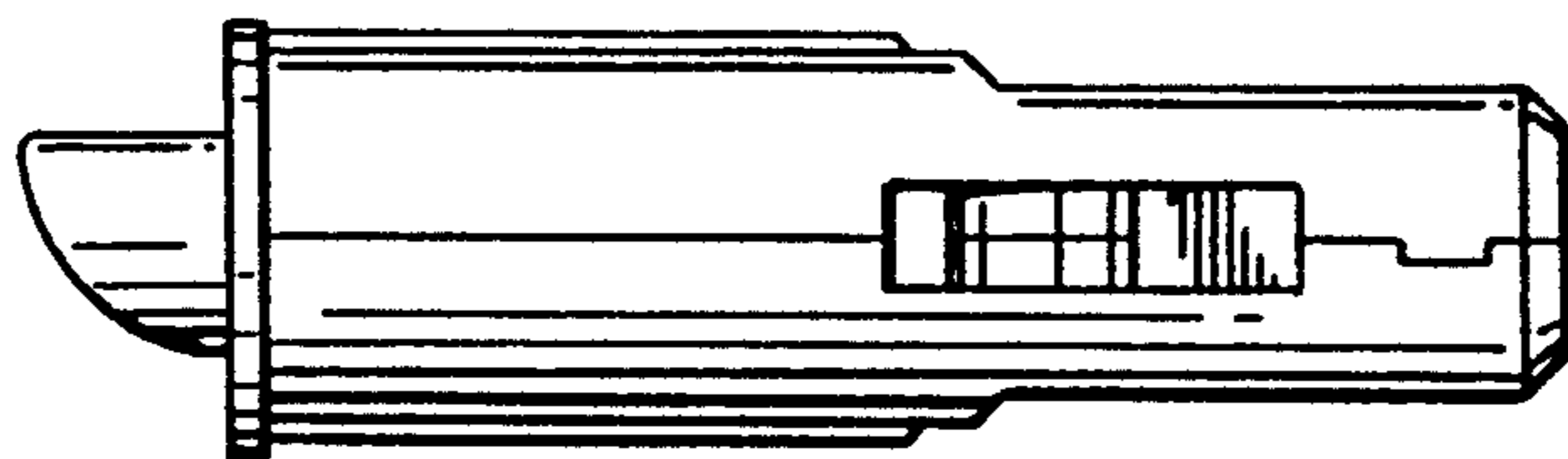


FIG. 5