



US00D342880S

United States Patent [19]

Clancy

[11] Patent Number: **Des. 342,880**

[45] Date of Patent: **** Jan. 4, 1994**

[54] **WRENCH SOCKET HOLDER**

[76] Inventor: **Daniel Clancy, 24585 Bashian, Novi, Mich. 48375**

[**] Term: **14 Years**

[21] Appl. No.: **909,467**

[22] Filed: **Jul. 6, 1992**

[52] U.S. Cl. **D8/71**

[58] Field of Search **D8/71; D9/415; 81/44, 81/15.3; 211/69, 69.5; 206/349, 378, 379**

[56] **References Cited**

U.S. PATENT DOCUMENTS

- D. 154,029 6/1949 Dumont D8/71
- D. 225,272 11/1972 Wheeler D8/71
- D. 292,480 10/1987 Smirne D8/71

Primary Examiner—Alan P. Douglas
Assistant Examiner—J. H. Musgrove

Attorney, Agent, or Firm—Krauss & Young

[57] **CLAIM**

The ornamental design for the wrench socket holder, as shown and described.

DESCRIPTION

FIG. 1 is a perspective view of a wrench socket holder showing my new design; (the socket shown in phantom outline is for purposes of illustration and is not a part of the invention);

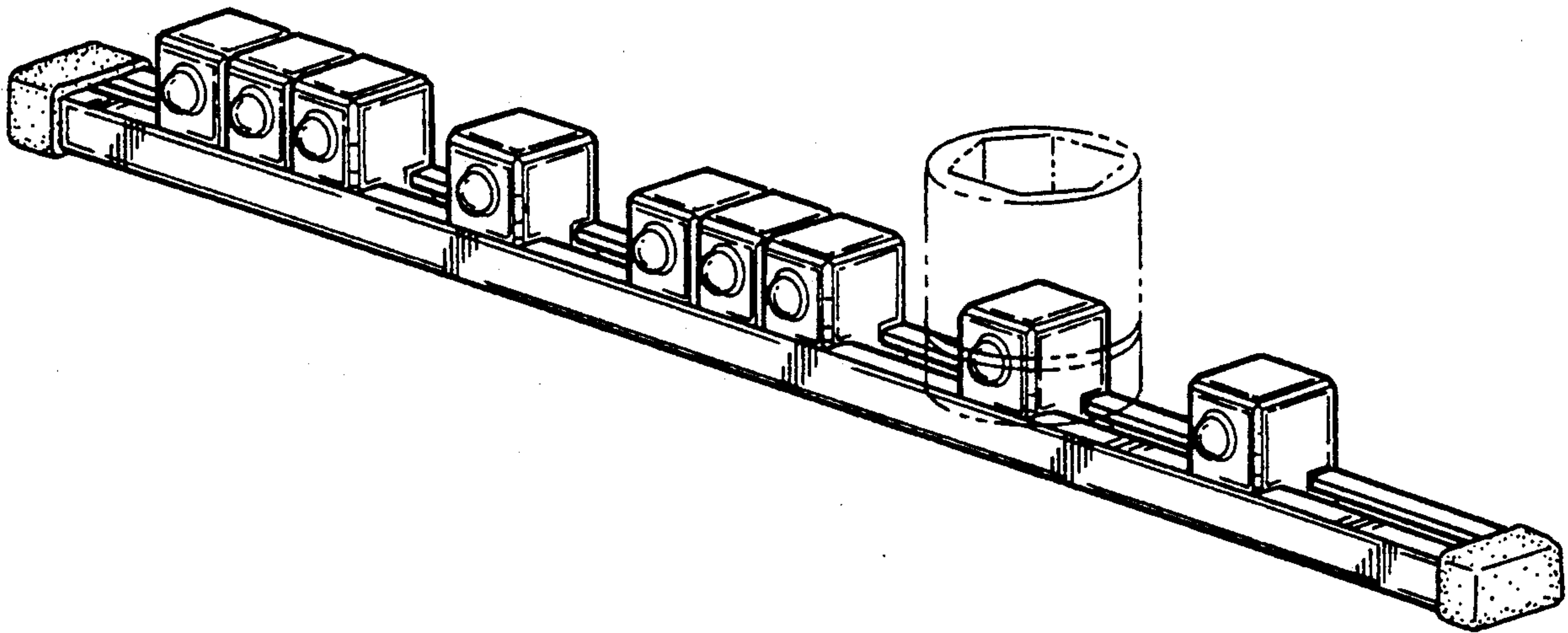
FIG. 2 is a left side elevational view of the holder of FIG. 1;

FIG. 3 is a right side elevational view of the holder of FIG. 1;

FIG. 4 is a front elevational view of the holder of FIG. 1;

FIG. 5 is a rear elevational view of the holder of FIG. 1;

FIG. 6 is a top plan view of the holder of FIG. 1; and, FIG. 7 is a bottom plan view of the holder of FIG. 1.



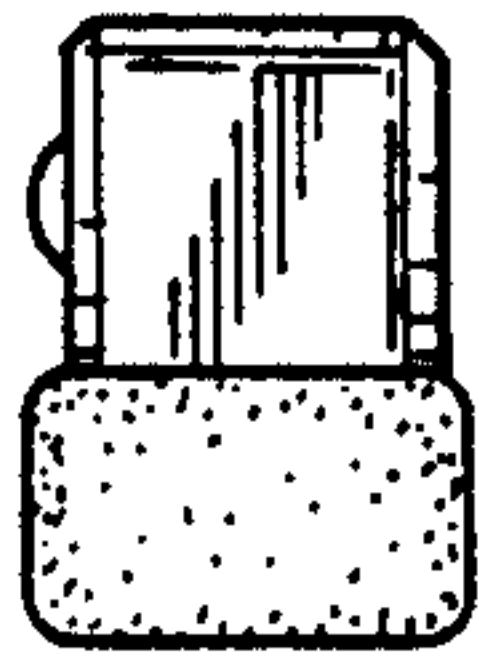
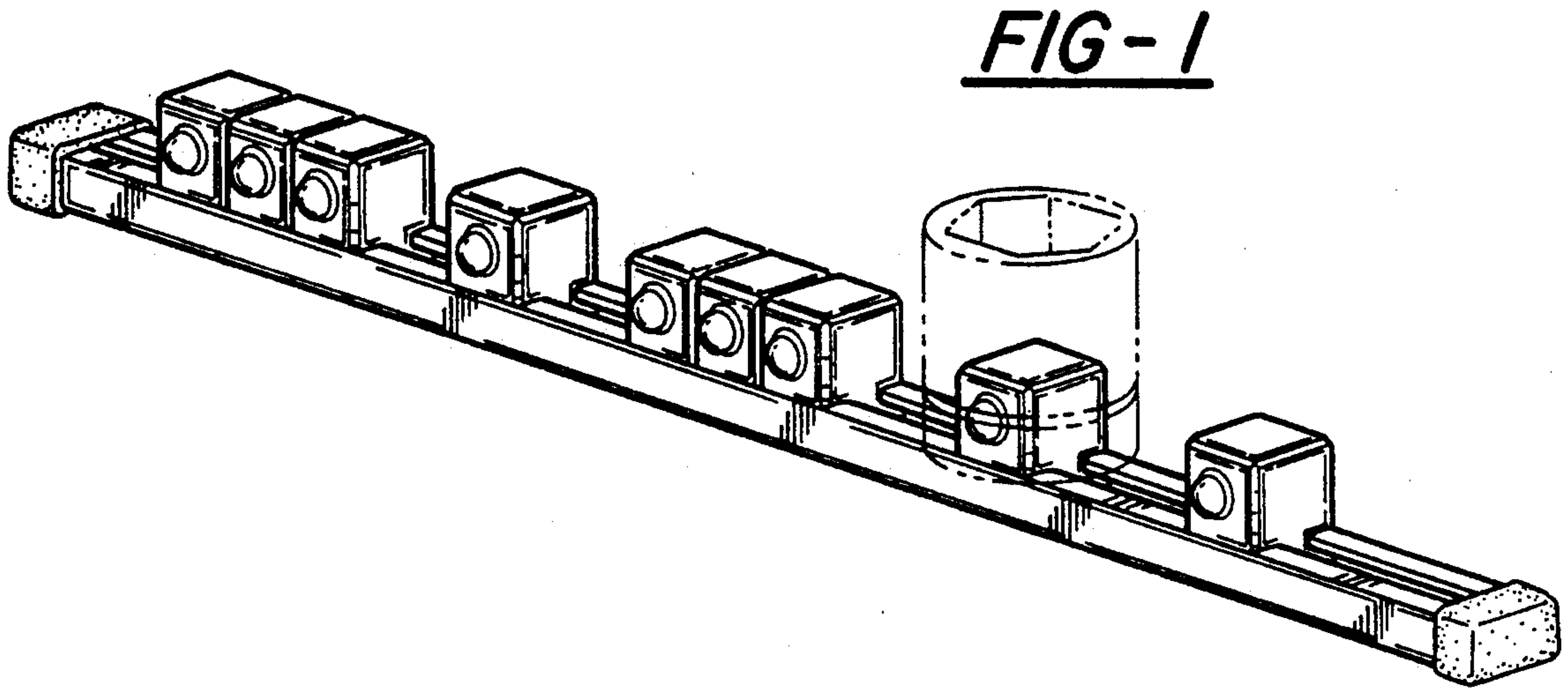


FIG-2

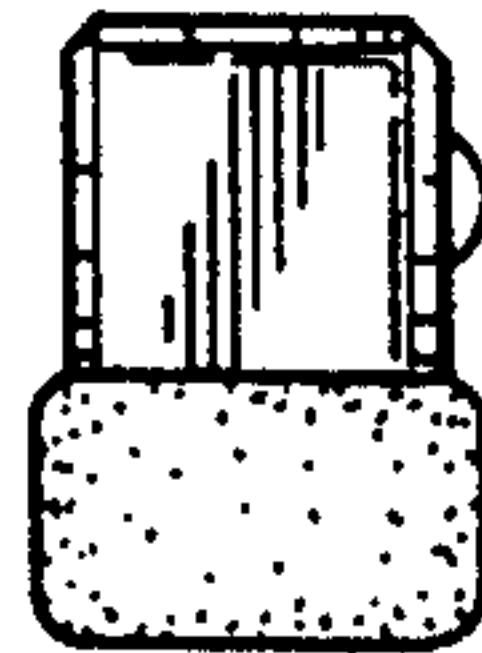


FIG-3

