



US00D342878S

# United States Patent [19]

Watanabe et al.

[11] Patent Number: **Des. 342,878**

[45] Date of Patent: **\*\* Jan. 4, 1994**

## [54] PORTABLE ELECTRIC HAMMER DRILL

[75] Inventors: **Satoru Watanabe; Masakazu Sakamoto**, both of Tokyo, Japan

[73] Assignee: **Ryobi Ltd.**, Hiroshima, Japan

[\*\*] Term: **14 Years**

[21] Appl. No.: **788,715**

[22] Filed: **Nov. 6, 1991**

### [30] Foreign Application Priority Data

May 7, 1991 [JP] Japan ..... 3-13193

[52] U.S. Cl. .... **D8/68**

[58] Field of Search ..... D8/61, 68; 81/57.13, 81/57.14, 57.11; 173/170; 408/124, 125

### [56] References Cited

#### U.S. PATENT DOCUMENTS

- D. 300,717 4/1989 Hasegawa et al. .... D8/68
- D. 314,498 2/1991 Hoshino et al. .... D8/68
- D. 314,698 2/1991 Zurwelle ..... D8/68
- D. 325,860 5/1992 Fushiya et al. .... D8/68

## OTHER PUBLICATIONS

Bosch catalog sheet for light electric hammers.  
Hitachi catalog sheet for electric hammers.

*Primary Examiner*—Alan P. Douglas  
*Assistant Examiner*—J. H. Musgrove  
*Attorney, Agent, or Firm*—Sughrue, Mion, Zinn, Macpeak & Seas

## [57] CLAIM

The ornamental design for a portable electric hammer drill, as shown.

## DESCRIPTION

FIG. 1 is a perspective view of the front end, one side and top of a portable electric hammer drill showing our new design;

FIG. 2 is a side elevational view thereof showing said one side;

FIG. 3 is a side elevational view thereof showing the opposite side;

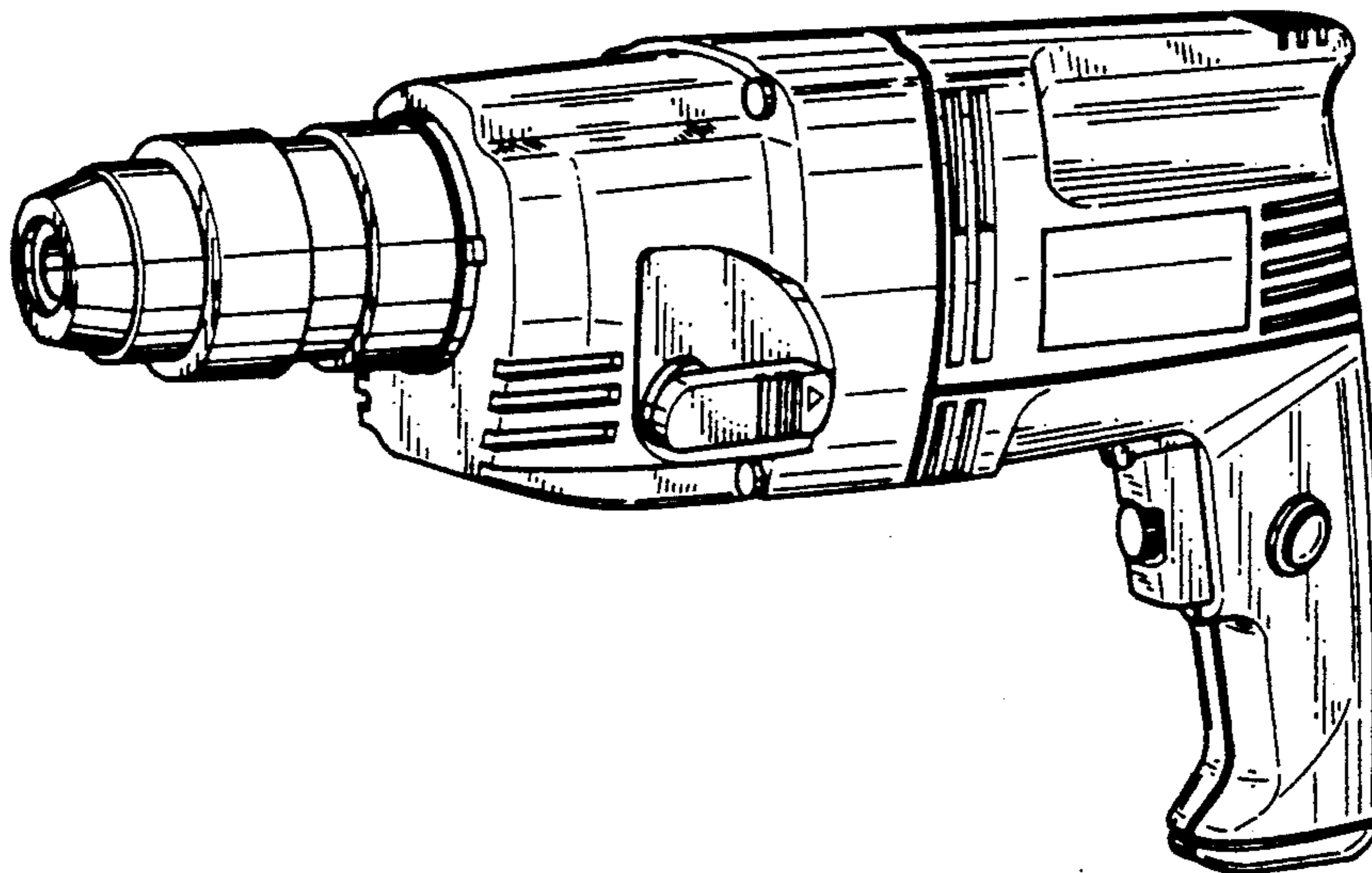
FIG. 4 is a front end elevational view thereof;

FIG. 5 is a rear end elevational view thereof;

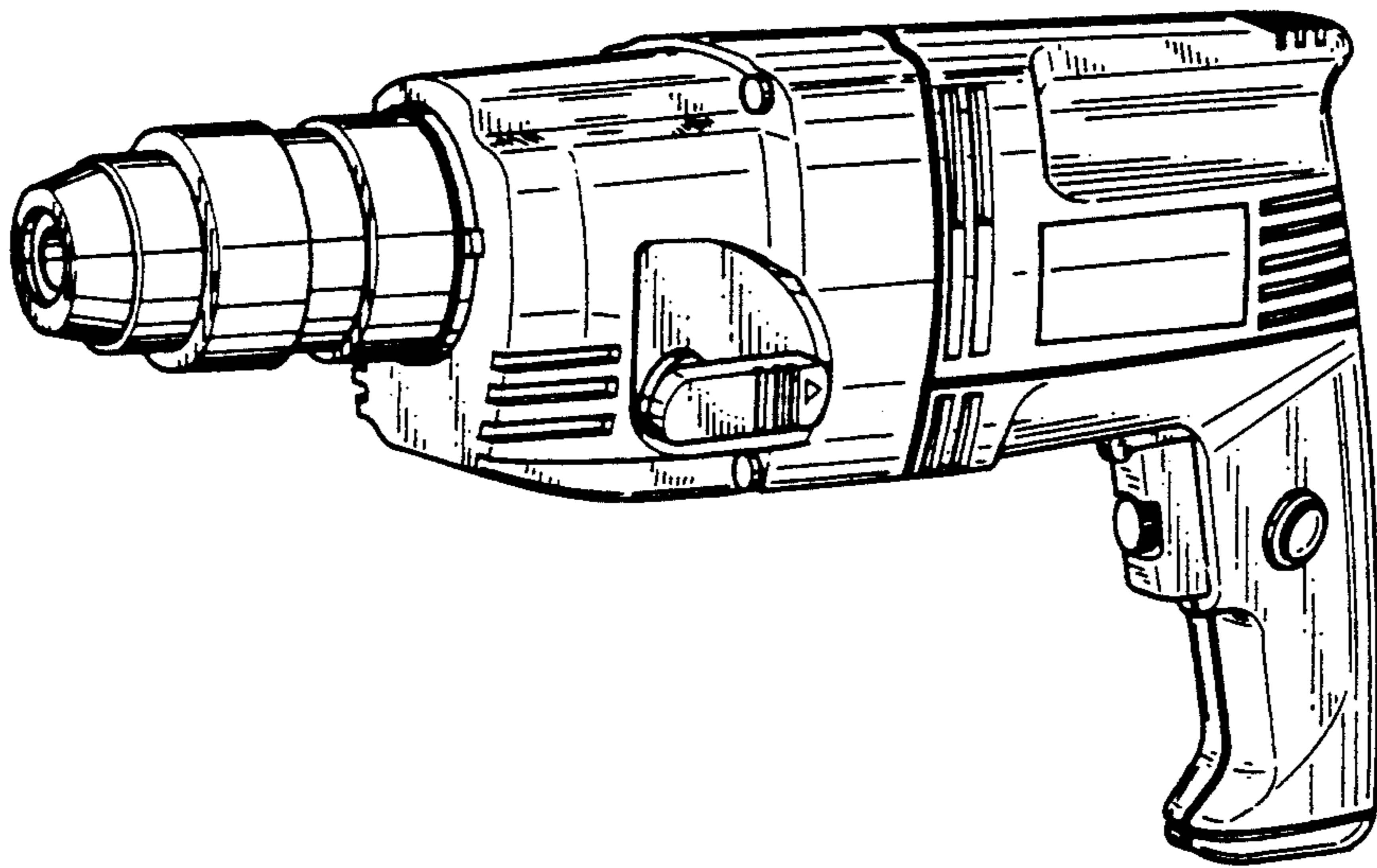
FIG. 6 is a top plan view thereof;

FIG. 7 is a bottom plan view thereof; and,

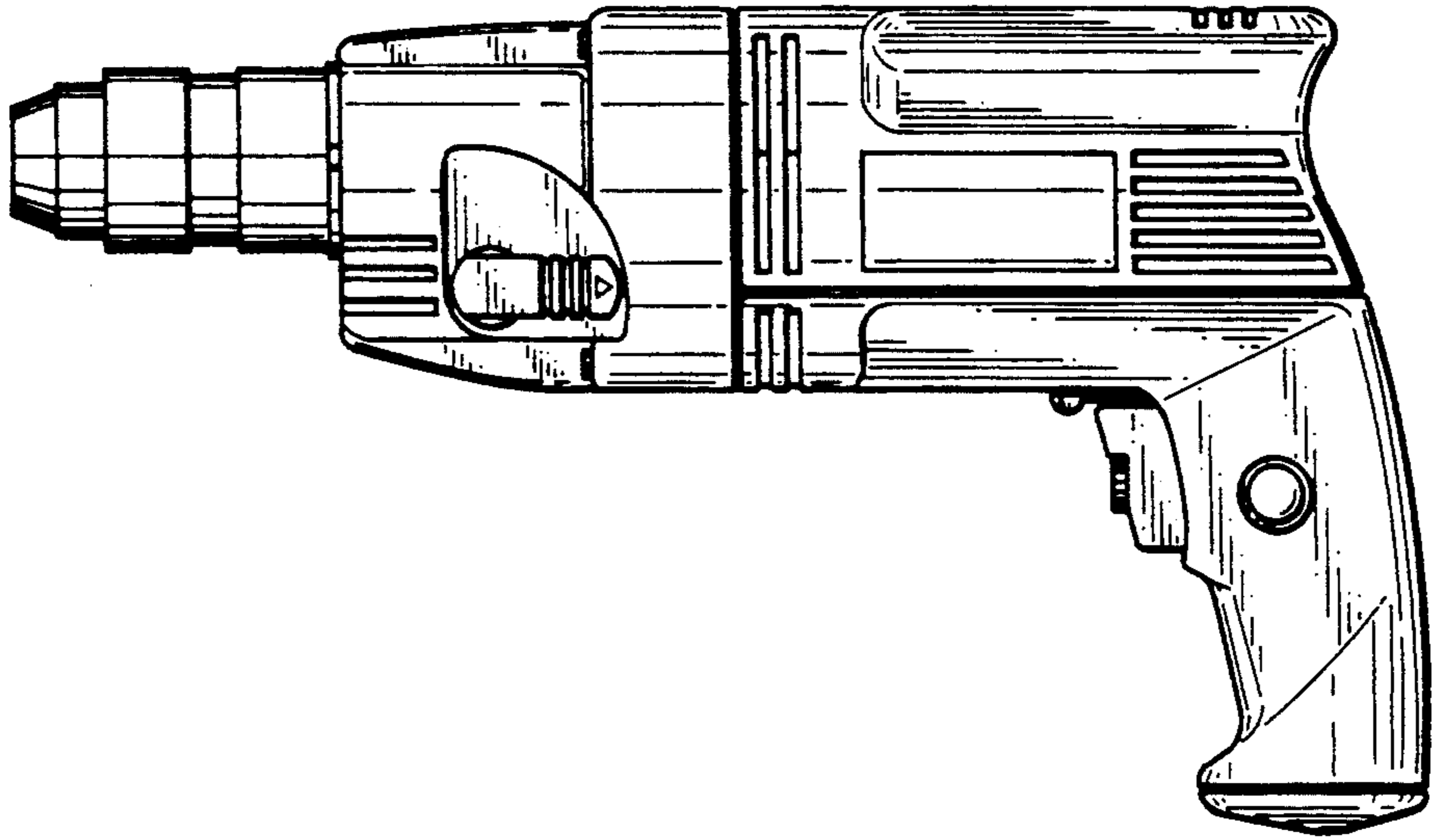
FIG. 8 is a bottom and left side perspective view thereof.



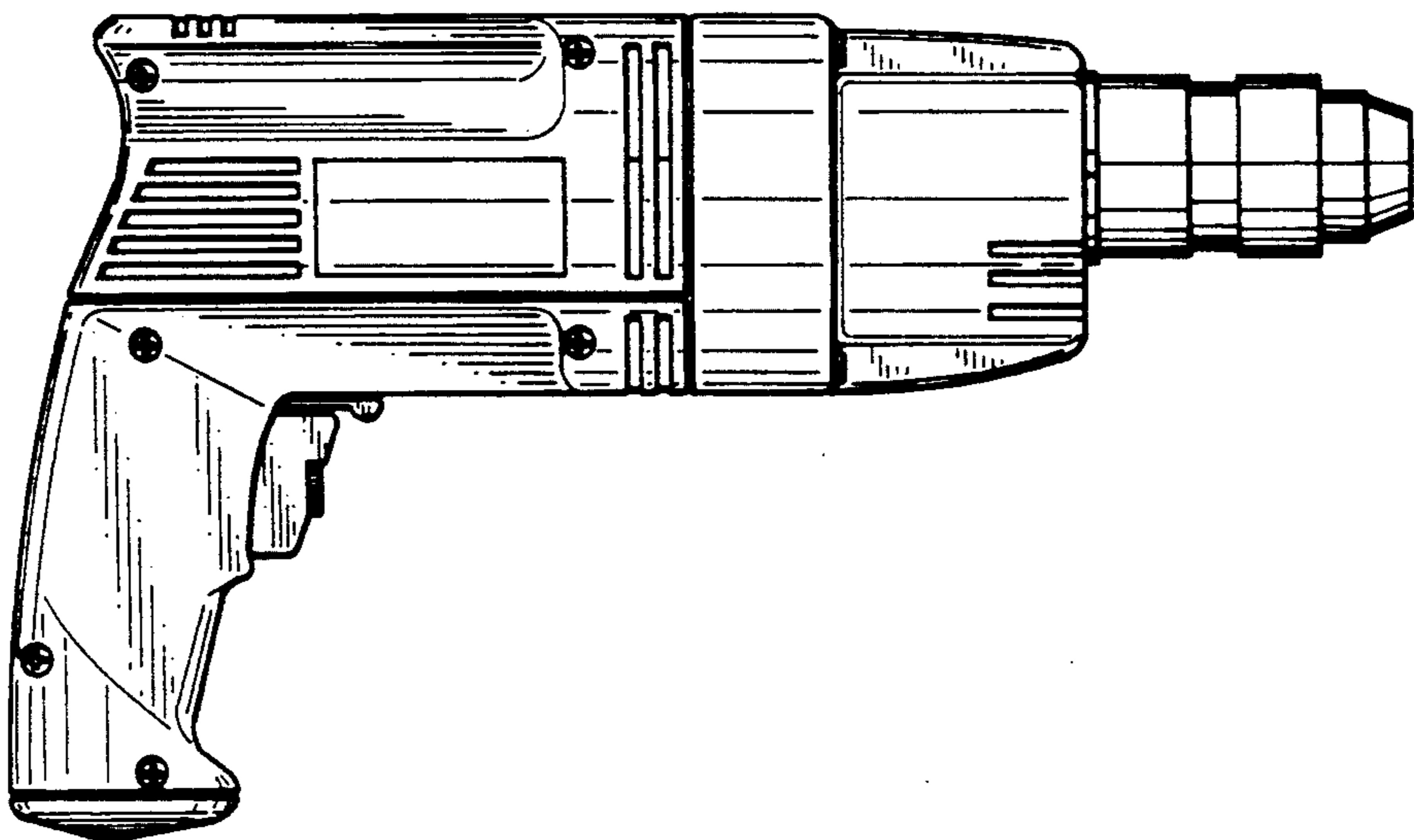
*Fig. 1*



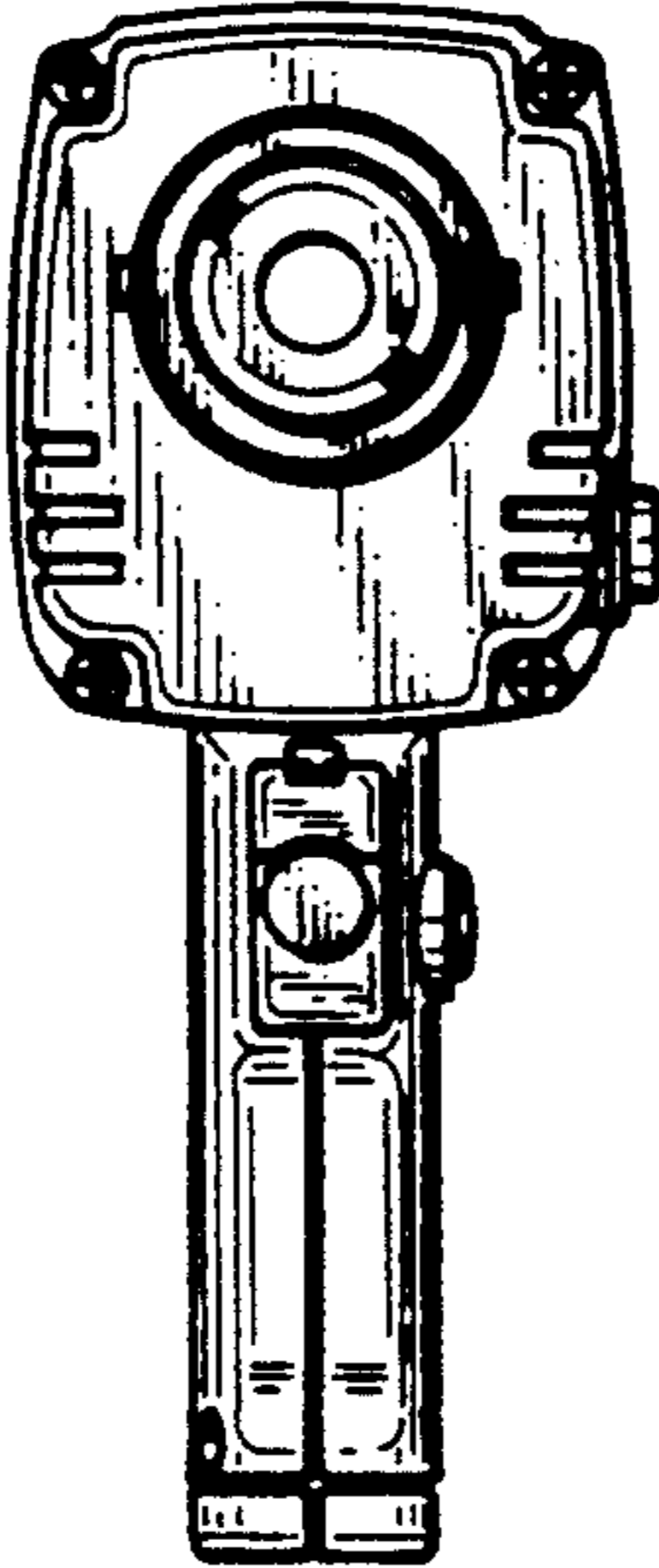
*Fig. 2*



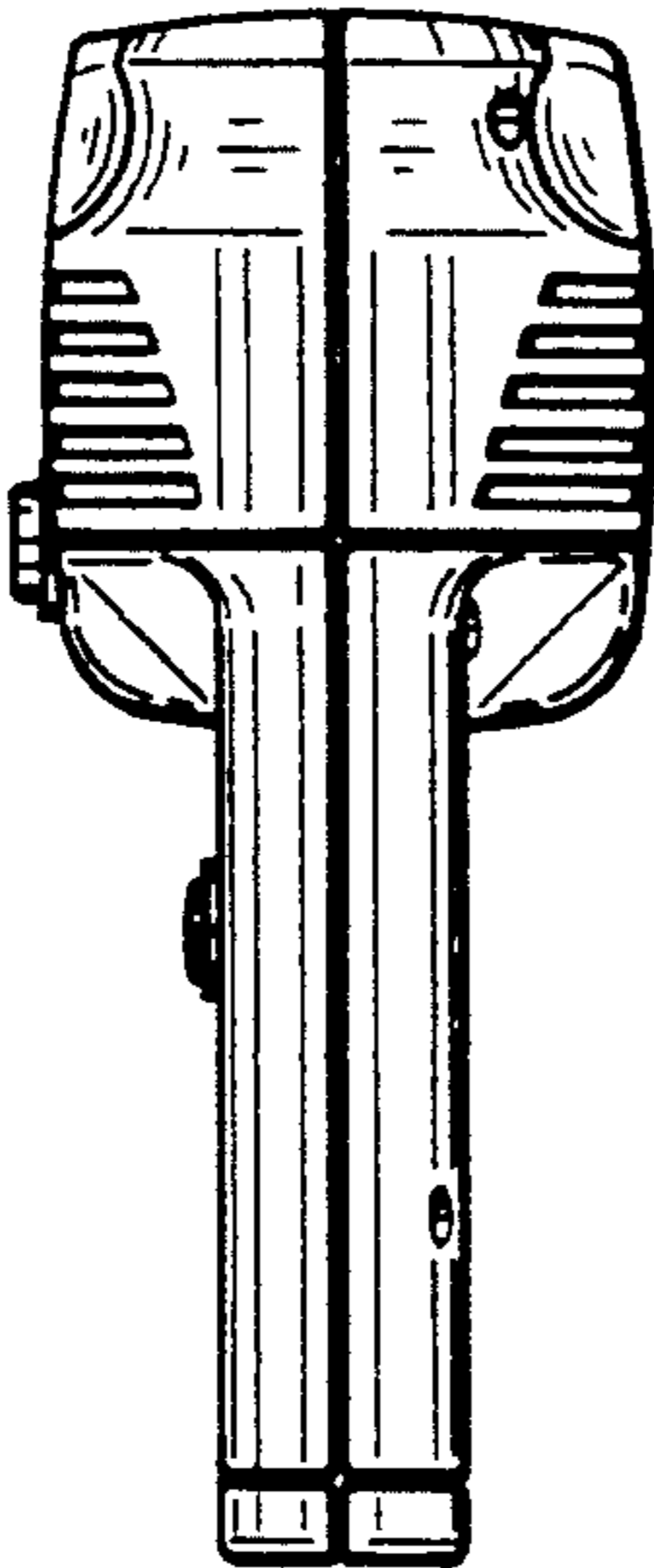
*Fig. 3*



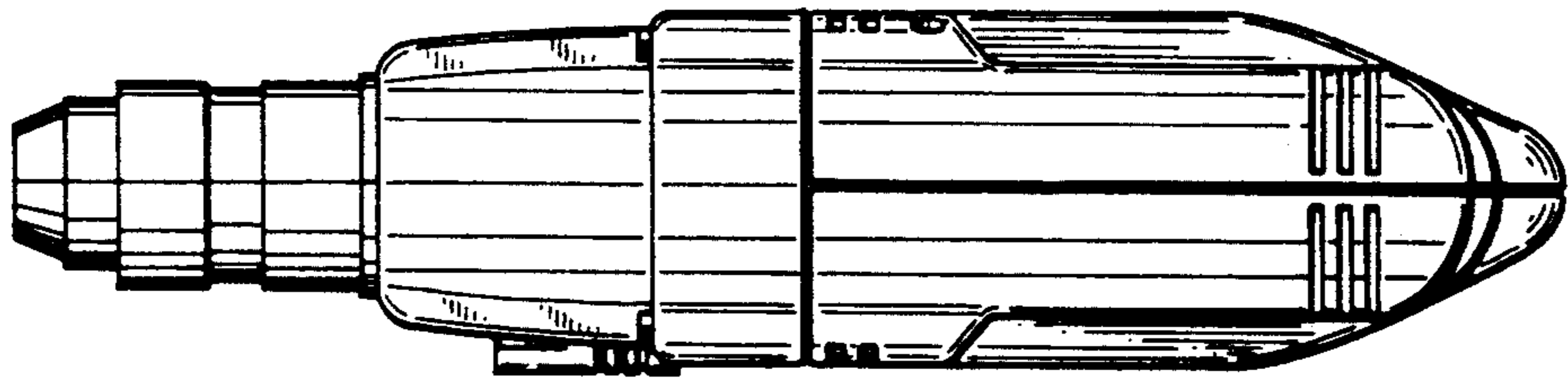
*Fig. 4*



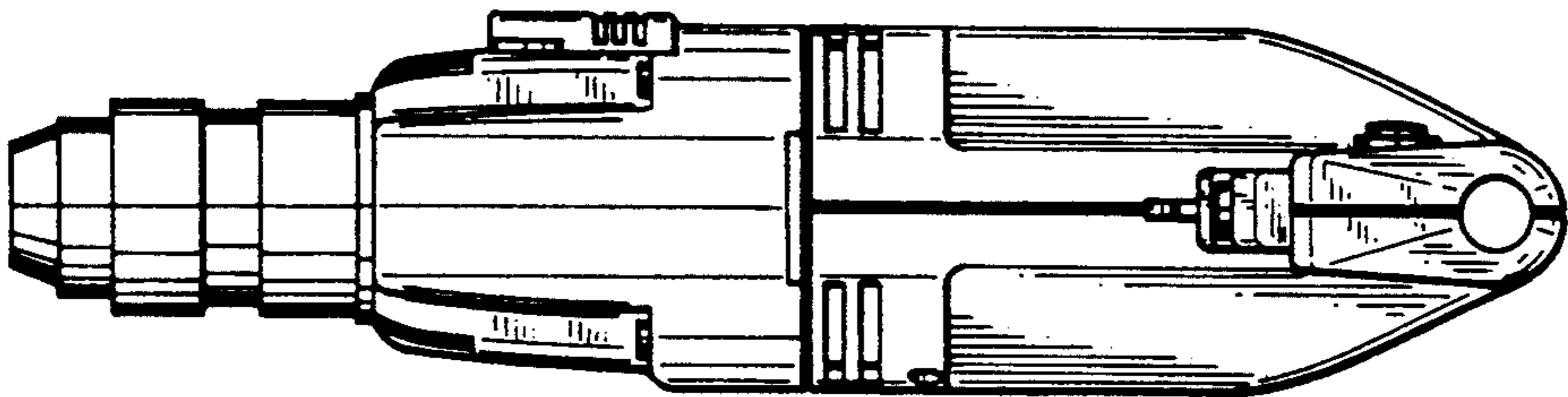
*Fig. 5*



*Fig. 6*



*Fig. 7*



*Fig. 8*

