



US00D342875S

United States Patent [19]

Franke et al.

[11] Patent Number: **Des. 342,875**

[45] Date of Patent: **** Jan. 4, 1994**

[54] **POWER HEAD FOR A VEGETATION CUTTER**

[75] Inventors: **Jeffery S. Franke, Charlotte, N.C.;
John E. McCallum, York, S.C.;
Claudia A. Isaacs, Charlotte, N.C.;
Kenneth E. Mason, Fort Mill, S.C.**

[73] Assignee: **Textron Inc., Providence, R.I.**

[**] Term: **14 Years**

[21] Appl. No.: **690,121**

[22] Filed: **Apr. 23, 1991**

[52] U.S. Cl. **D8/8; D15/17;
D15/1**

[58] Field of Search **D8/8; 30/272, 276;
56/10.1, 12.7, 249, 255, 289, 295; D15/1,
10-13, 16, 17**

[56] **References Cited**

U.S. PATENT DOCUMENTS

| | | | |
|------------|---------|----------------------|---------|
| D. 239,329 | 3/1976 | Schramm et al. | D77/1 R |
| D. 250,745 | 1/1979 | Kuwano | D8/8 |
| D. 252,130 | 6/1979 | Hoff | D8/8 |
| D. 257,844 | 1/1981 | Stevens | D15/1 |
| D. 260,394 | 8/1981 | Tuggle | D8/8 |
| D. 274,620 | 7/1984 | Murakami et al. | D15/1 |
| D. 276,160 | 10/1984 | Tuggle et al. | D15/1 |
| D. 284,862 | 7/1986 | Iida | D15/1 |
| D. 290,365 | 6/1987 | Hatano et al. | D15/16 |
| D. 292,980 | 12/1987 | Tomita et al. | D15/16 |
| D. 296,555 | 7/1988 | Rosenblad | D15/1 |
| D. 304,196 | 10/1989 | Tuggle et al. | D15/1 |

| | | | |
|------------|--------|---------------------|-----------|
| D. 305,432 | 1/1990 | Hashigaki | D15/1 |
| D. 307,147 | 4/1990 | Sasaki et al. | D15/1 |
| D. 309,457 | 7/1990 | Eifert et al. | D15/1 |
| D. 324,051 | 2/1992 | Tuggle et al. | D8/8 |
| D. 332,455 | 1/1993 | Whetsel | D15/16 |
| 3,556,232 | 1/1971 | Koziski | 175/88 |
| 4,286,675 | 9/1981 | Tuggle | 173/163 |
| 4,350,123 | 9/1982 | Kossek et al. | 123/2 |
| 4,391,041 | 7/1983 | Porter-Bennet | 30/296.1 |
| 4,733,471 | 3/1988 | Rahe | 30/296.1 |
| 4,841,929 | 6/1989 | Tuggle et al. | 123/198 E |

OTHER PUBLICATIONS

1989-1990 Homelite Outdoor Power Equipment Catalog, pp. 6-13.

Primary Examiner—Bernard Ansher
Assistant Examiner—Sandra Morris
Attorney, Agent, or Firm—Perman & Green

[57] **CLAIM**

The ornamental design for a power head for a vegetation cutter, as shown and described.

DESCRIPTION

FIG. 1 is a perspective view of a power head for a vegetation cutter, showing our new design; FIG. 2 is a front elevational view thereof; FIG. 3 is a rear elevational view thereof; FIG. 4 is a top plan view thereof; FIG. 5 is a bottom plan view thereof; FIG. 6 is a right side elevational view thereof; and, FIG. 7 is a left side elevational view thereof.

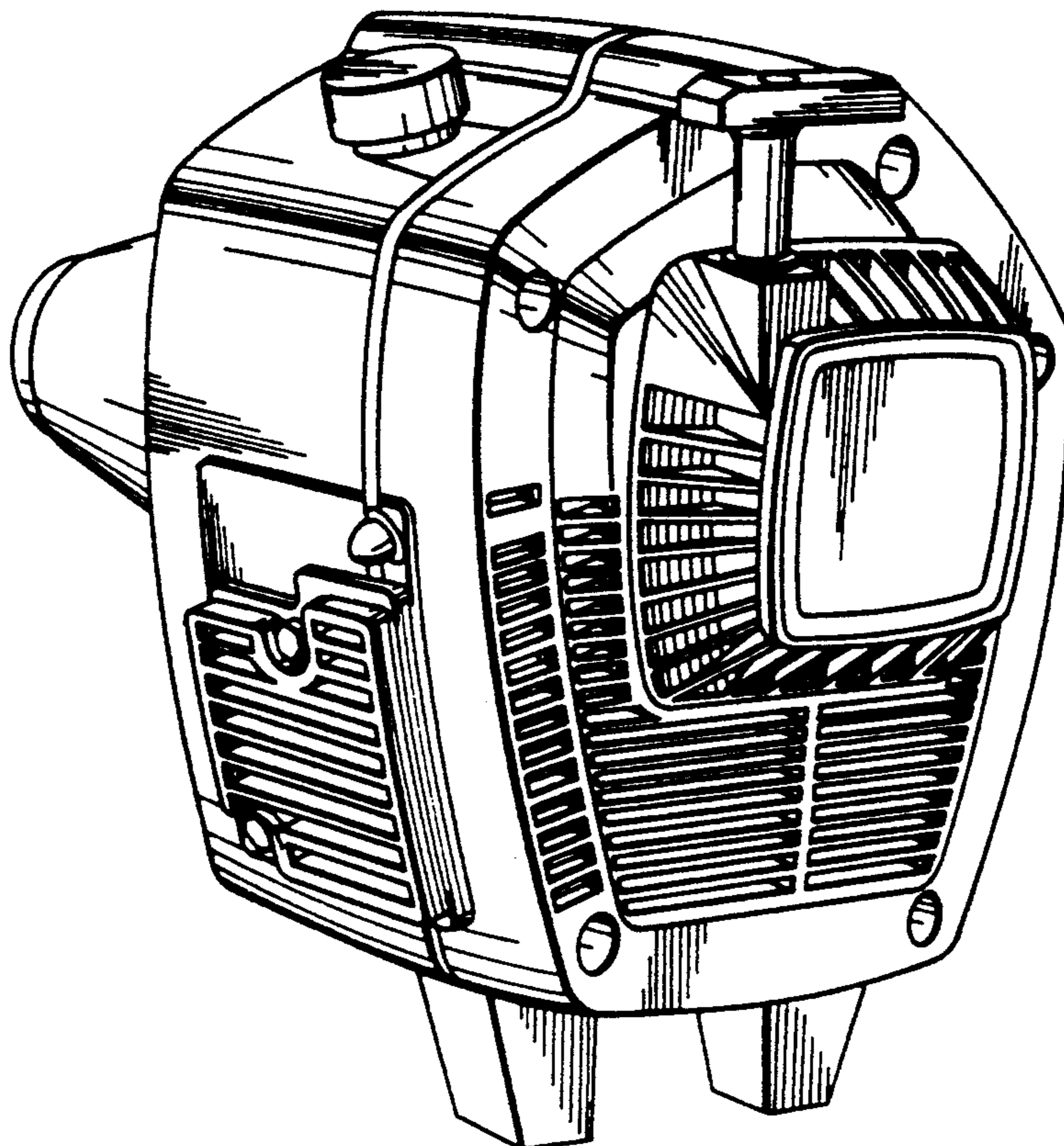


FIG. 1.

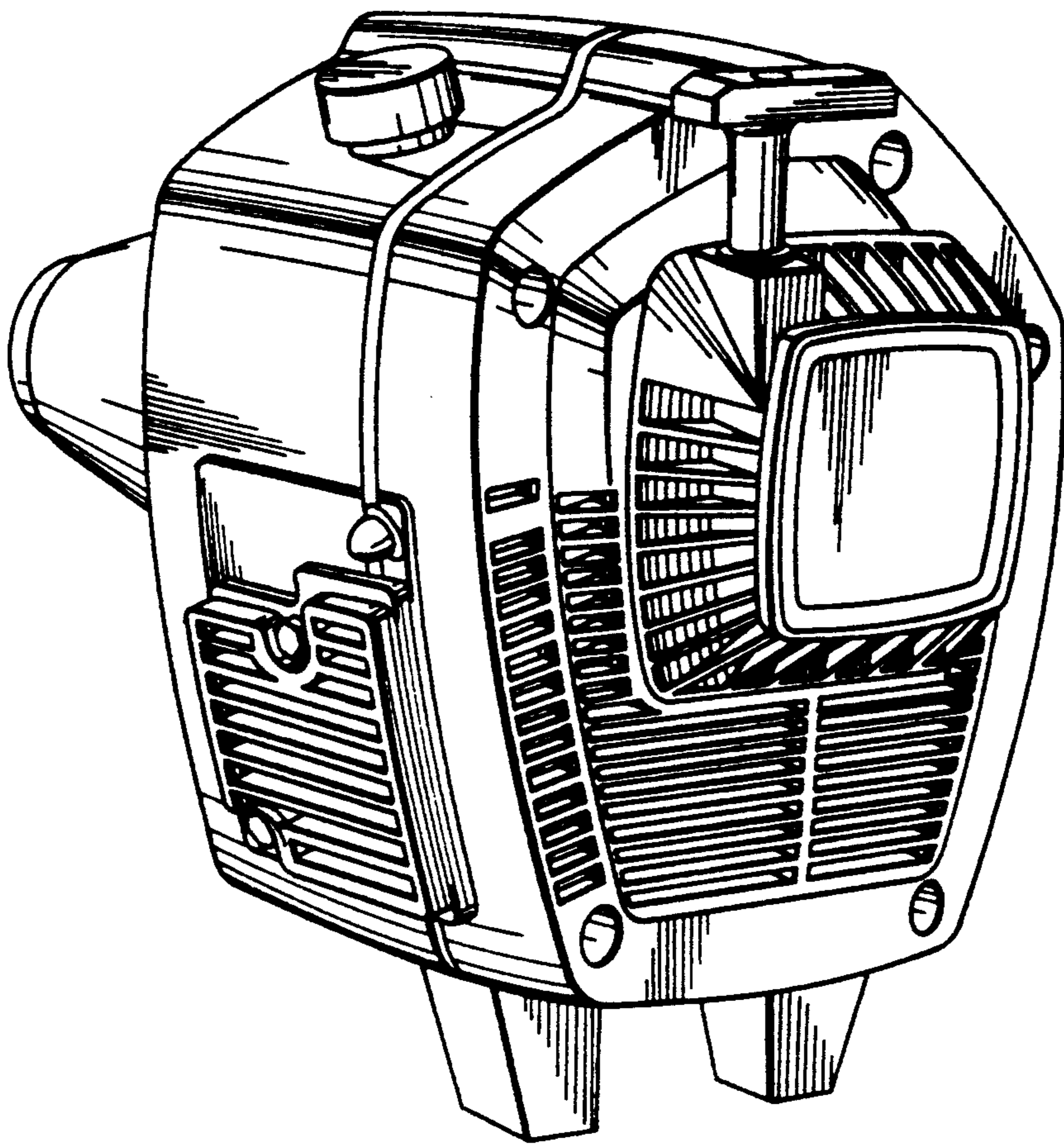


FIG. 2.

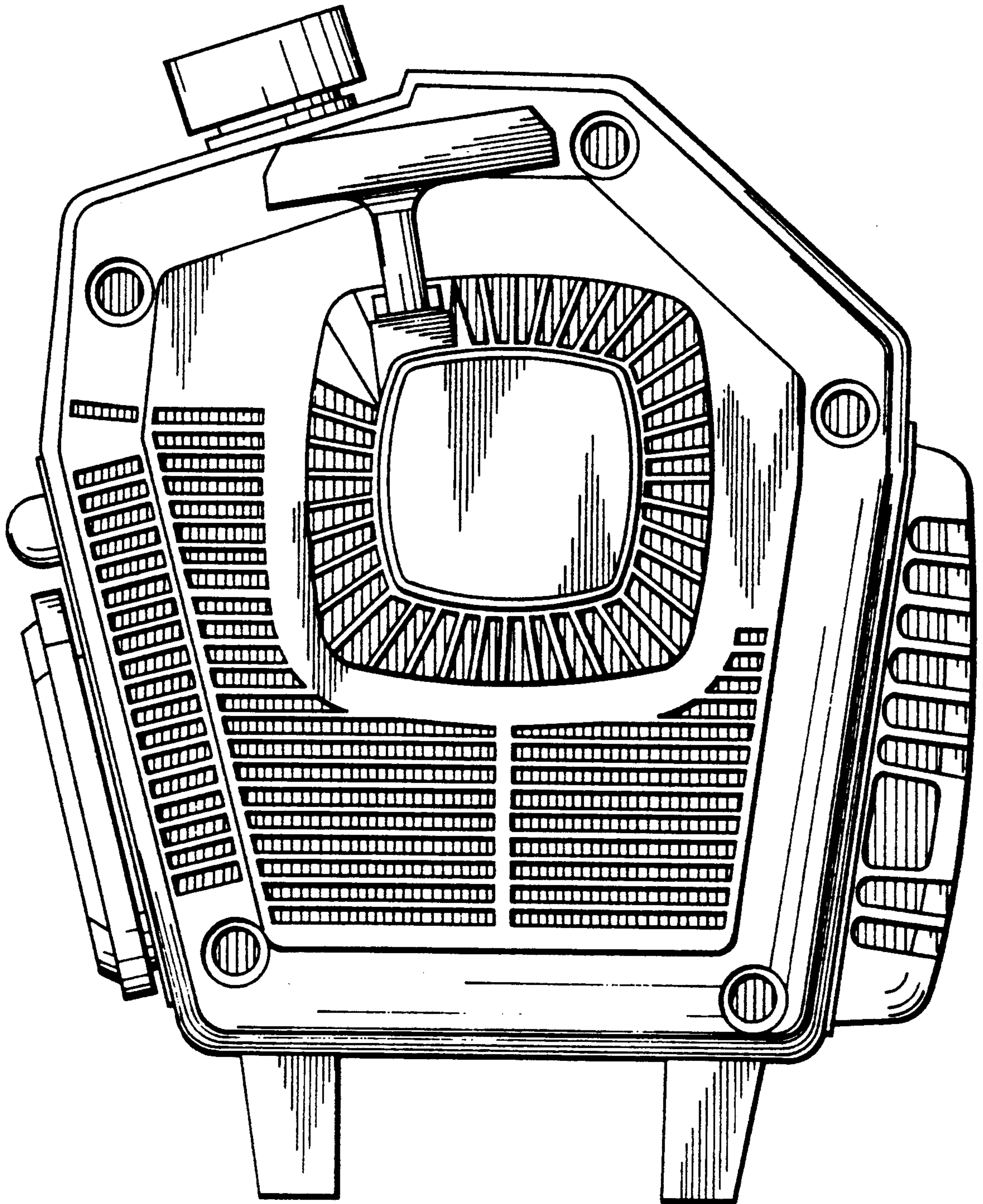


FIG. 3.

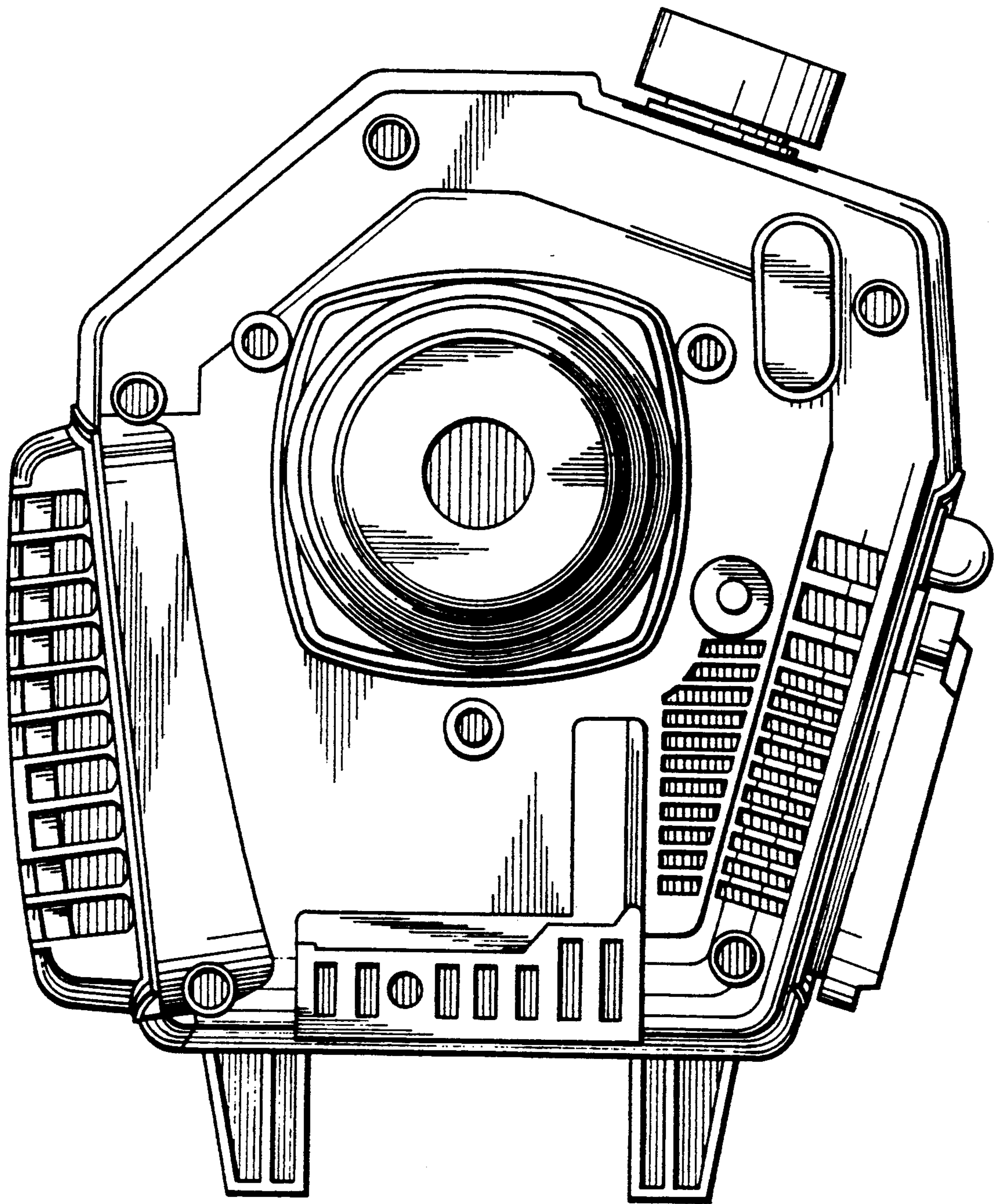


FIG. 4.

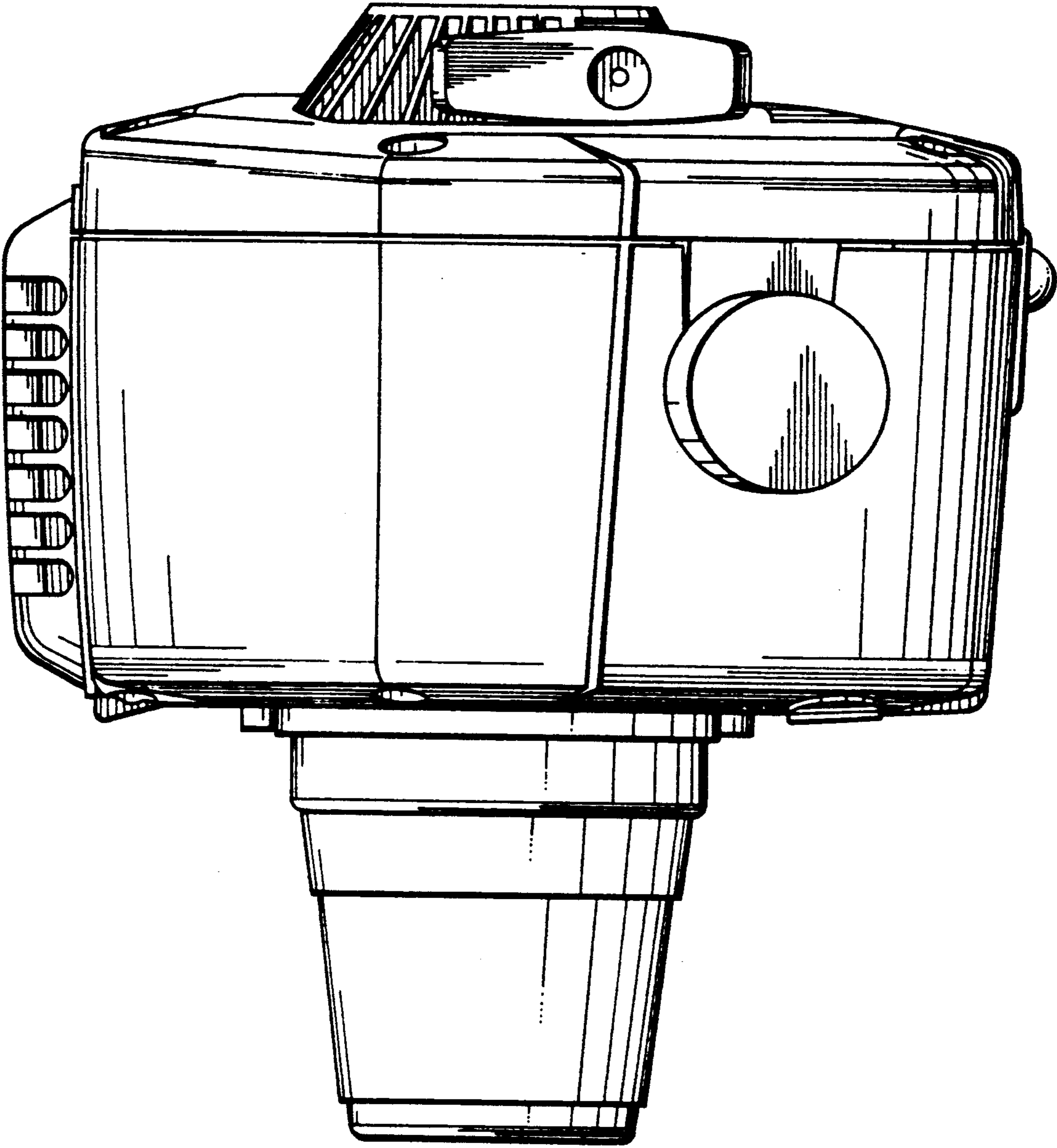


FIG. 5.

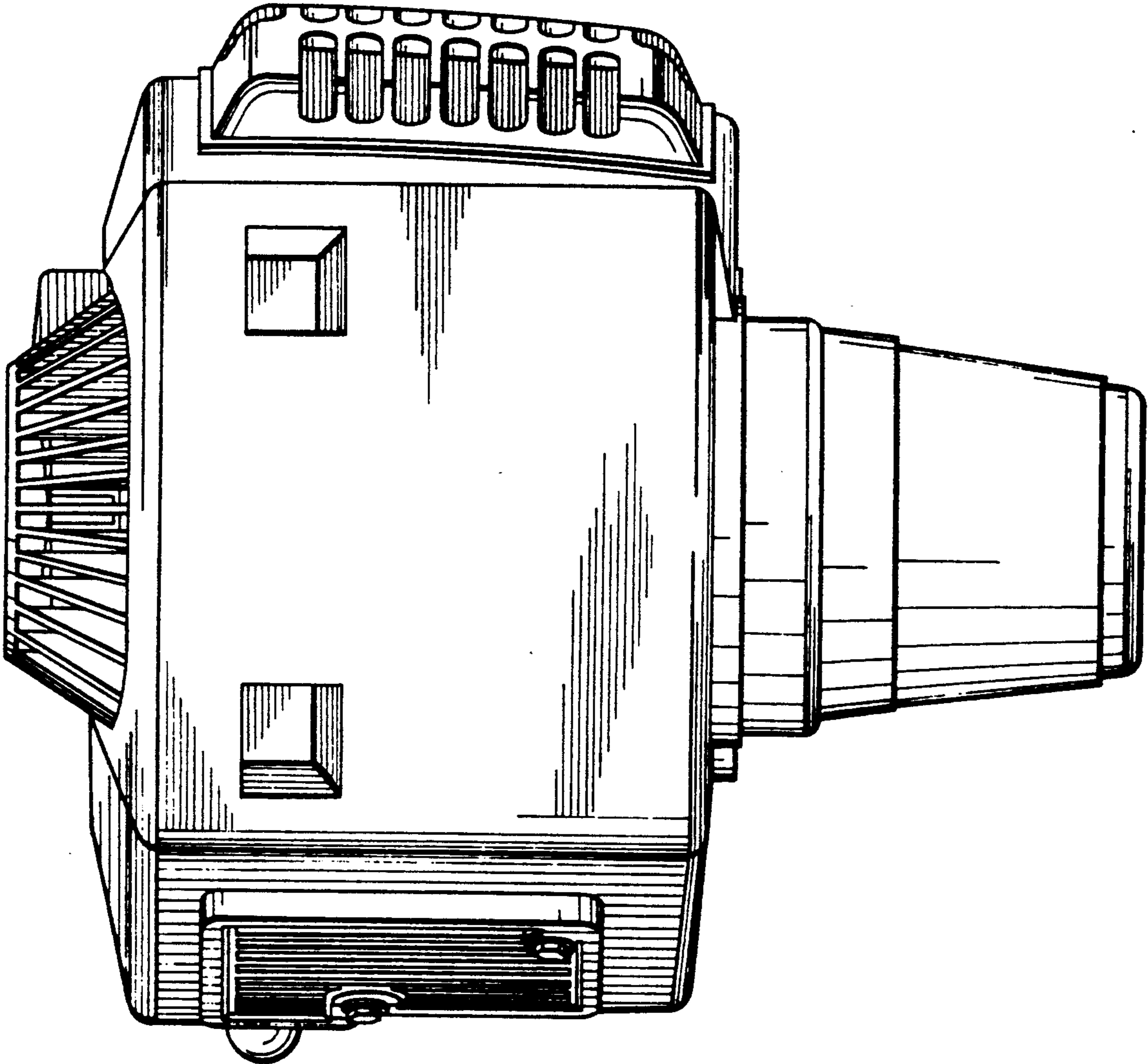


FIG. 6.

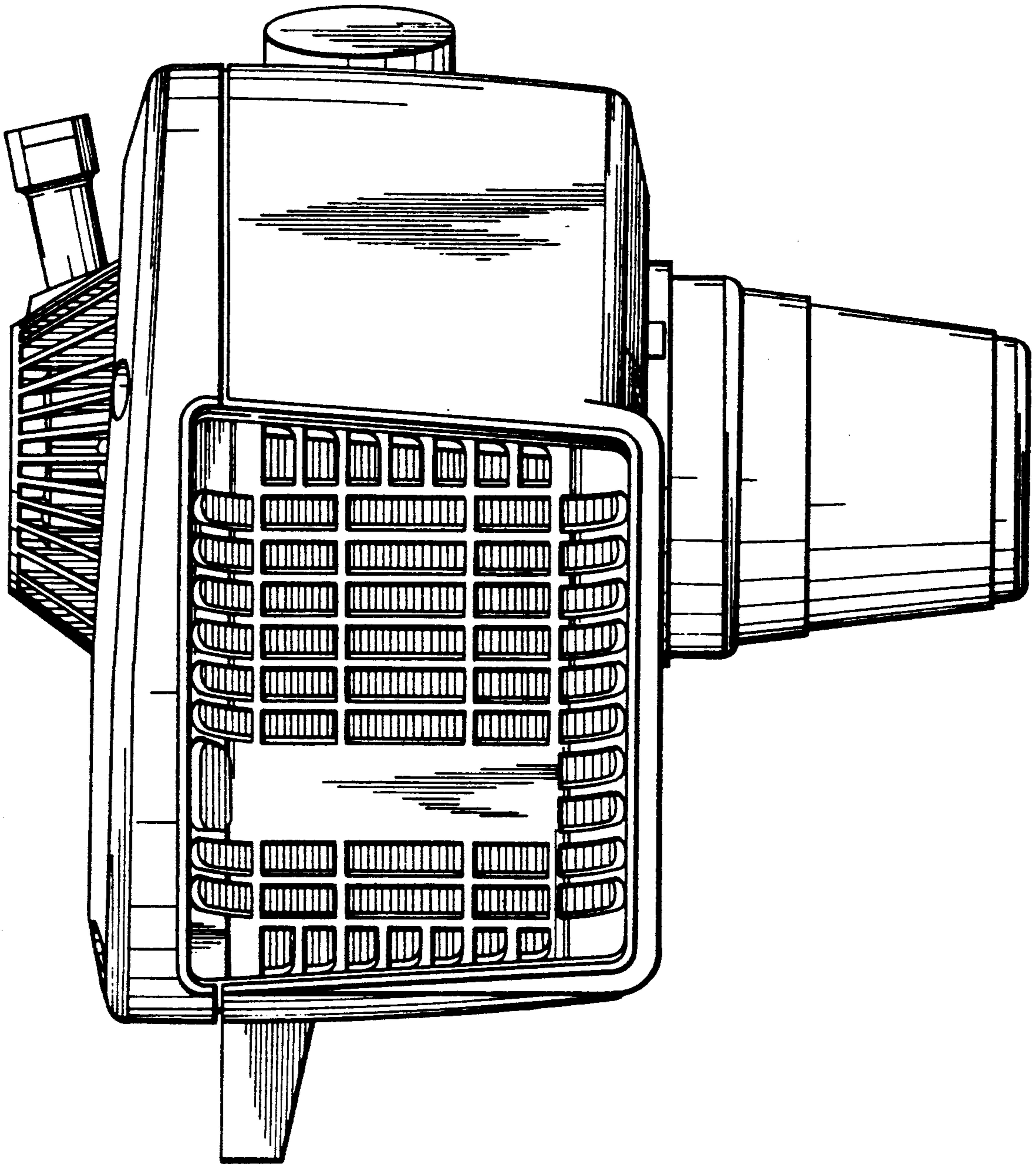


FIG. 7.

