



US00D342874S

# United States Patent [19]

Groves

[11] Patent Number: **Des. 342,874**

[45] Date of Patent: **\*\* Jan. 4, 1994**

[54] **VEGETATION BARRIER**

4,074,479 2/1978 Krupka ..... 52/102

[75] Inventor: **George D. Groves**, Jefferson County, Mo.

*Primary Examiner*—Wallace R. Burke  
*Assistant Examiner*—H. Baynham  
*Attorney, Agent, or Firm*—Paul M. Denk

[73] Assignee: **B & G Consultants, Inc.**, Arnold, Mo.

[57] **CLAIM**

[\*\*] Term: **14 Years**

The ornamental design for the vegetation barrier, as shown and described.

[21] Appl. No.: **767,195**

**DESCRIPTION**

[22] Filed: **Sep. 30, 1991**

[52] U.S. Cl. .... **D8/1**

[58] Field of Search ..... **D8/1; 47/33**

FIG. 1 is an isometric view of a vegetation barrier showing my new design with the broken line showing of a pair of fence post being for illustrative purposes and forming no part of the claimed design;

[56] **References Cited**

**U.S. PATENT DOCUMENTS**

- D. 316,951 5/1991 Groves ..... D8/1
- D. 328,839 8/1992 Green ..... D8/1
- 3,515,373 6/1970 Abbe ..... 47/33 X
- 3,806,096 4/1974 Eccleston et al. .... 47/33 X

FIG. 2 is a top view thereof;

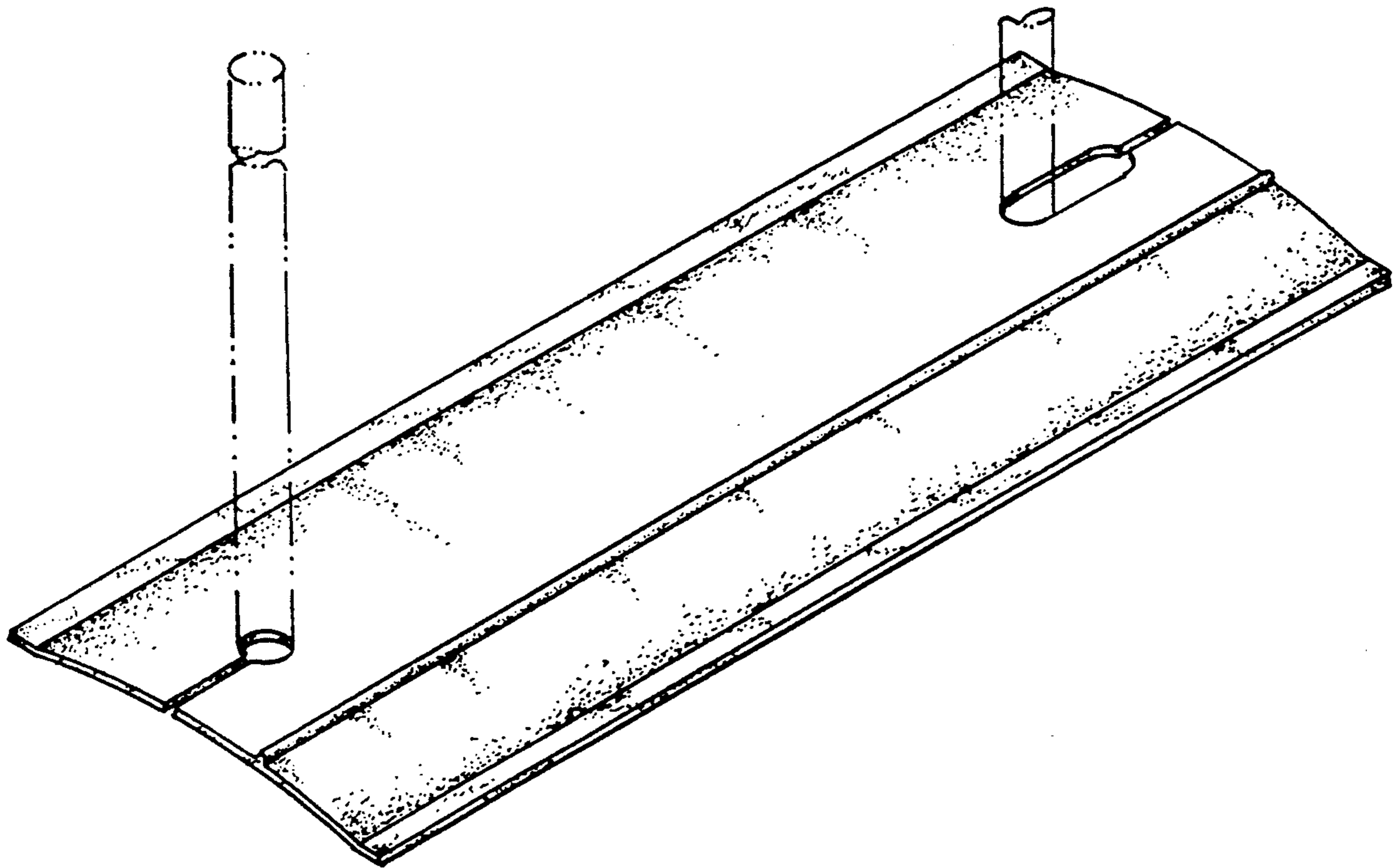
FIG. 3 is a bottom view thereof;

FIG. 4 is a front edge view thereof;

FIG. 5 is a rear elevational view thereof;

FIG. 6 is a left side elevational view thereof; and,

FIG. 7 is a right side elevational view thereof.



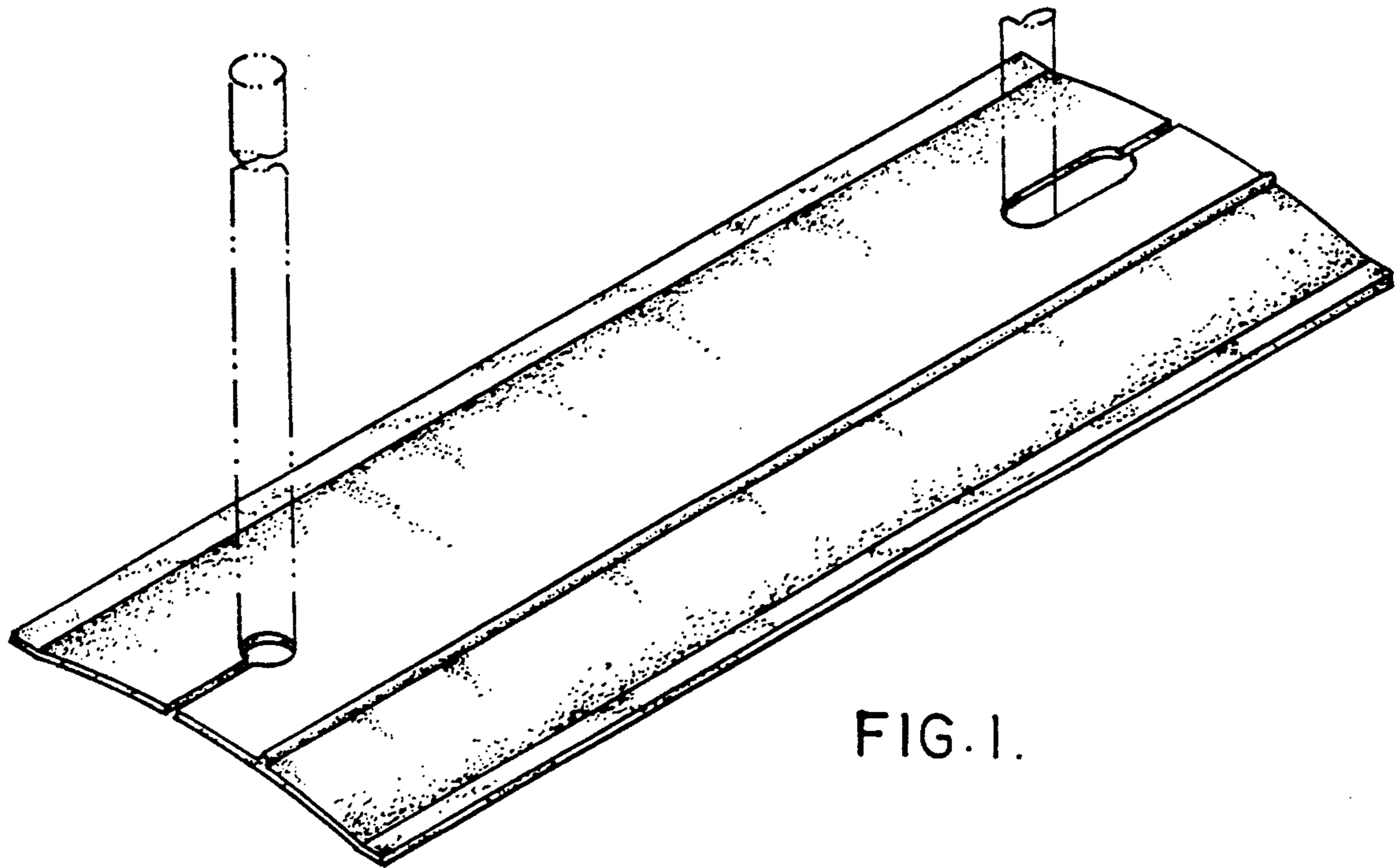


FIG. 1.

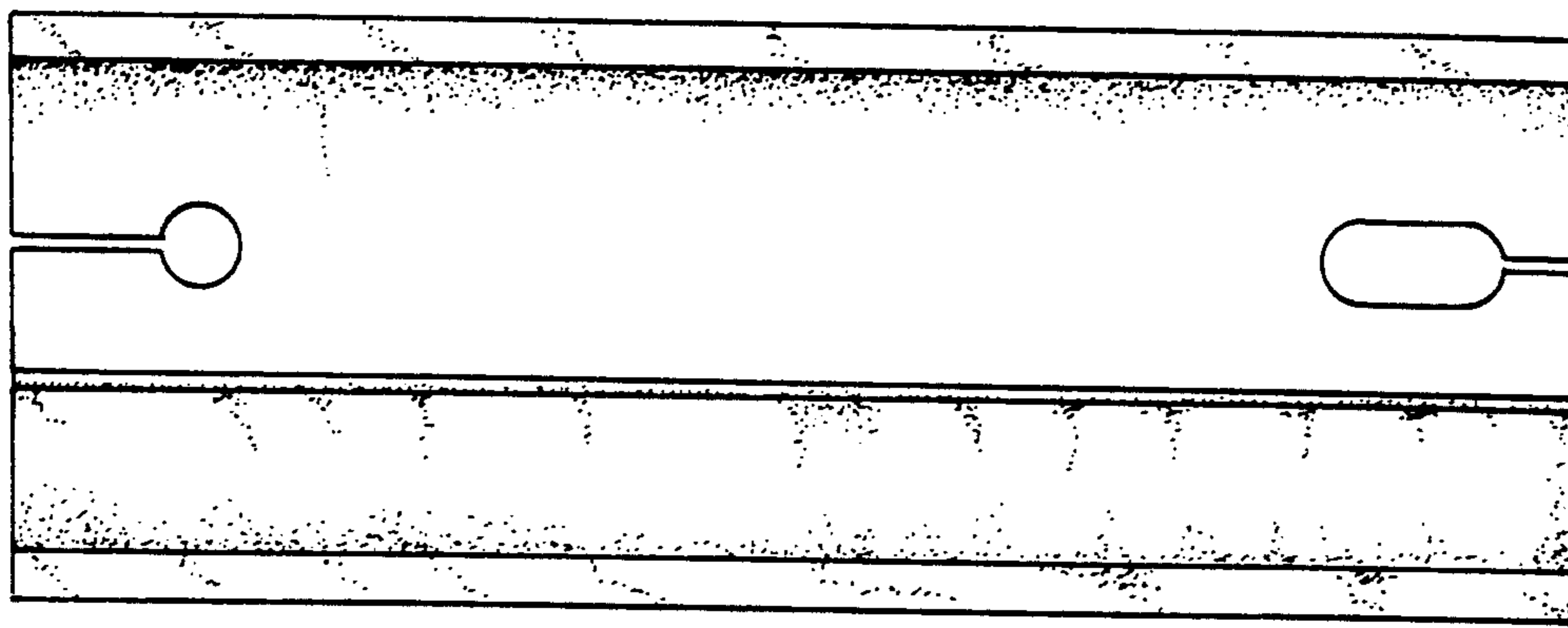


FIG. 2.

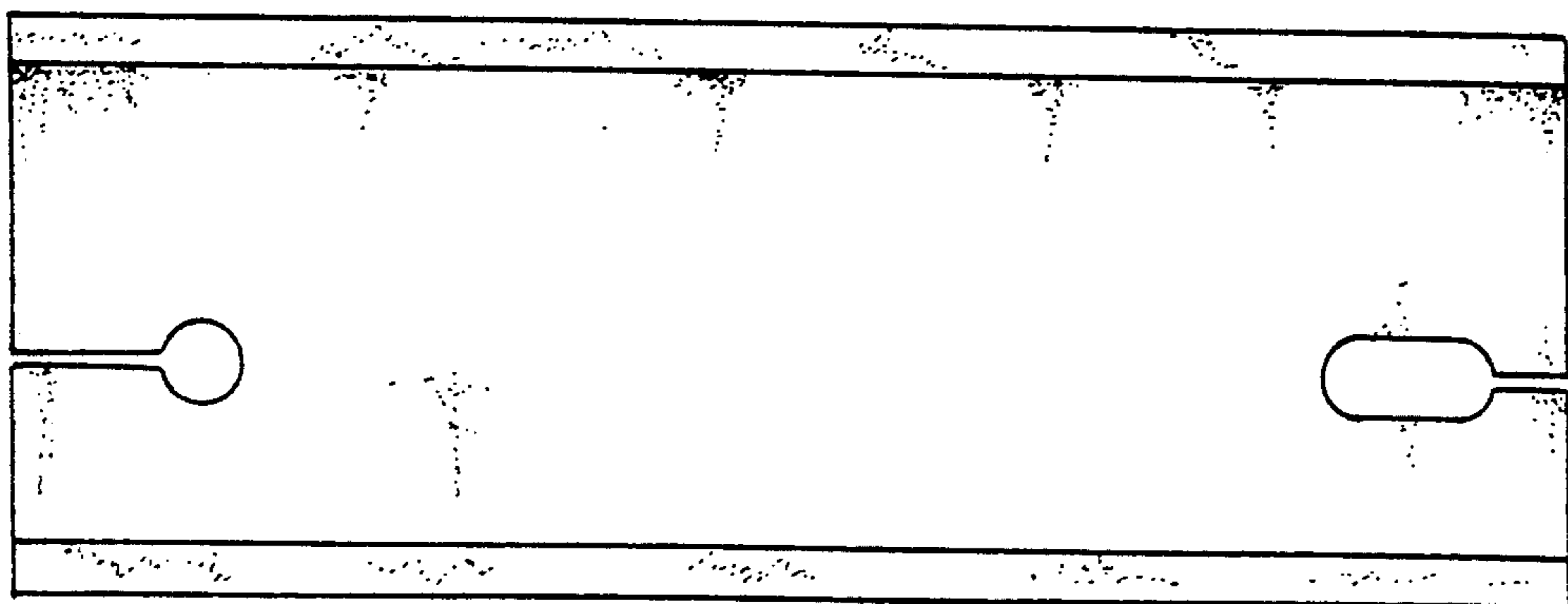


FIG. 3.

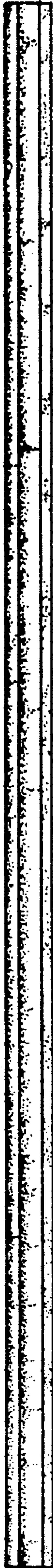


FIG. 4.

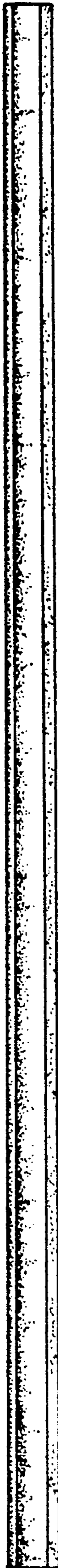


FIG. 5.



FIG. 6.

FIG. 7.