



US00D342871S

United States Patent [19]

[11] Patent Number: **Des. 342,871**

Stern et al.

[45] Date of Patent: **** Jan. 4, 1994**

[54] **CUP HOLDER ASSEMBLY**

[75] Inventors: **Jon L. Stern, Corda Madera; Keith A. Hippely, Manhattan Beach, both of Calif.**

[73] Assignee: **Cine' Coasters, Inc., Los Angeles, Calif.**

[**] Term: **14 Years**

[21] Appl. No.: **908,007**

[22] Filed: **Jun. 30, 1992**

[52] U.S. Cl. **D7/620**

[58] Field of Search**D7/616, 617, 618, 619, 620, 621, 622, 623, 624, 625; 211/71, 74-5; 220/737; 248/311.2**

- 2,202,365 5/1940 Feman .
- 2,370,822 3/1945 Taurman .
- 2,649,270 8/1953 Franks .
- 2,754,078 7/1956 Koger .
- 2,903,225 9/1959 Weinstein .
- 3,233,858 2/1966 Benjamin .
- 3,881,677 5/1975 Ihlenfeld .
- 4,133,433 1/1979 Medina .
- 4,191,350 3/1980 Ormond .
- 4,434,961 3/1984 Hoye .
- 4,557,452 12/1985 Khuong .

*Primary Examiner—Terry A. Wallace
Attorney, Agent, or Firm—Lyon & Lyon*

[57] **CLAIM**

The ornamental design for a cup holder assembly, as shown and described.

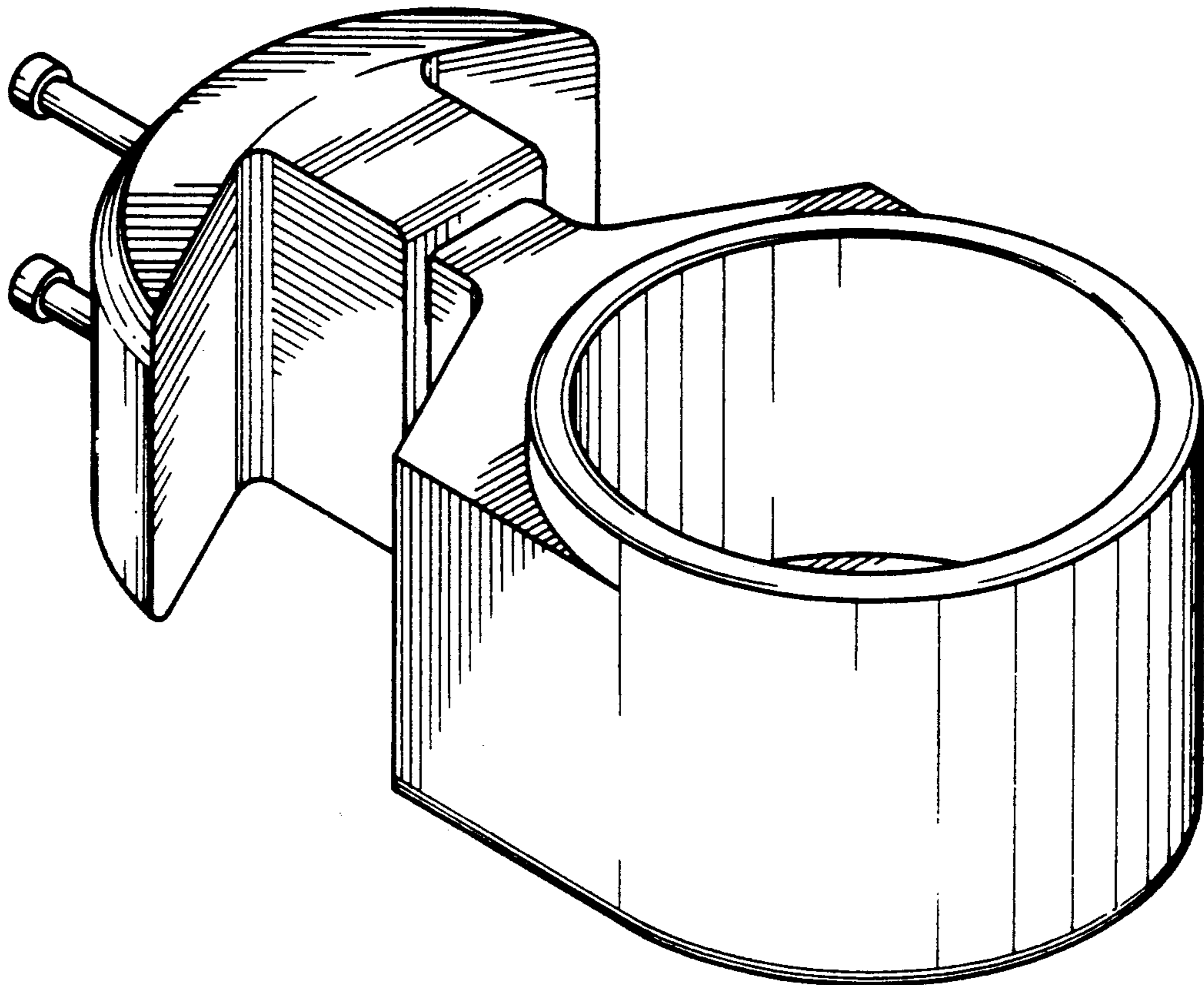
[56] **References Cited**

U.S. PATENT DOCUMENTS

- D. 282,702 2/1986 Maus .
- D. 307,852 5/1990 Clark .
- 387,922 8/1888 Schooley .
- 984,225 2/1911 Knapp .
- 1,079,192 11/1913 Sowden .
- 1,546,739 7/1923 Le Lande .
- 1,584,722 5/1925 Bohmbach .
- 2,168,136 8/1939 Playfair .

DESCRIPTION

FIG. 1 is a top, front, left side perspective view of a cup holder assembly showing our new design;
 FIG. 2 is a top plan view thereof;
 FIG. 3 is a rear elevational view thereof;
 FIG. 4 is a side elevational view thereof, the opposite side being a mirror image;
 FIG. 5 is a bottom plan view thereof; and,
 FIG. 6 is a front elevational view thereof.



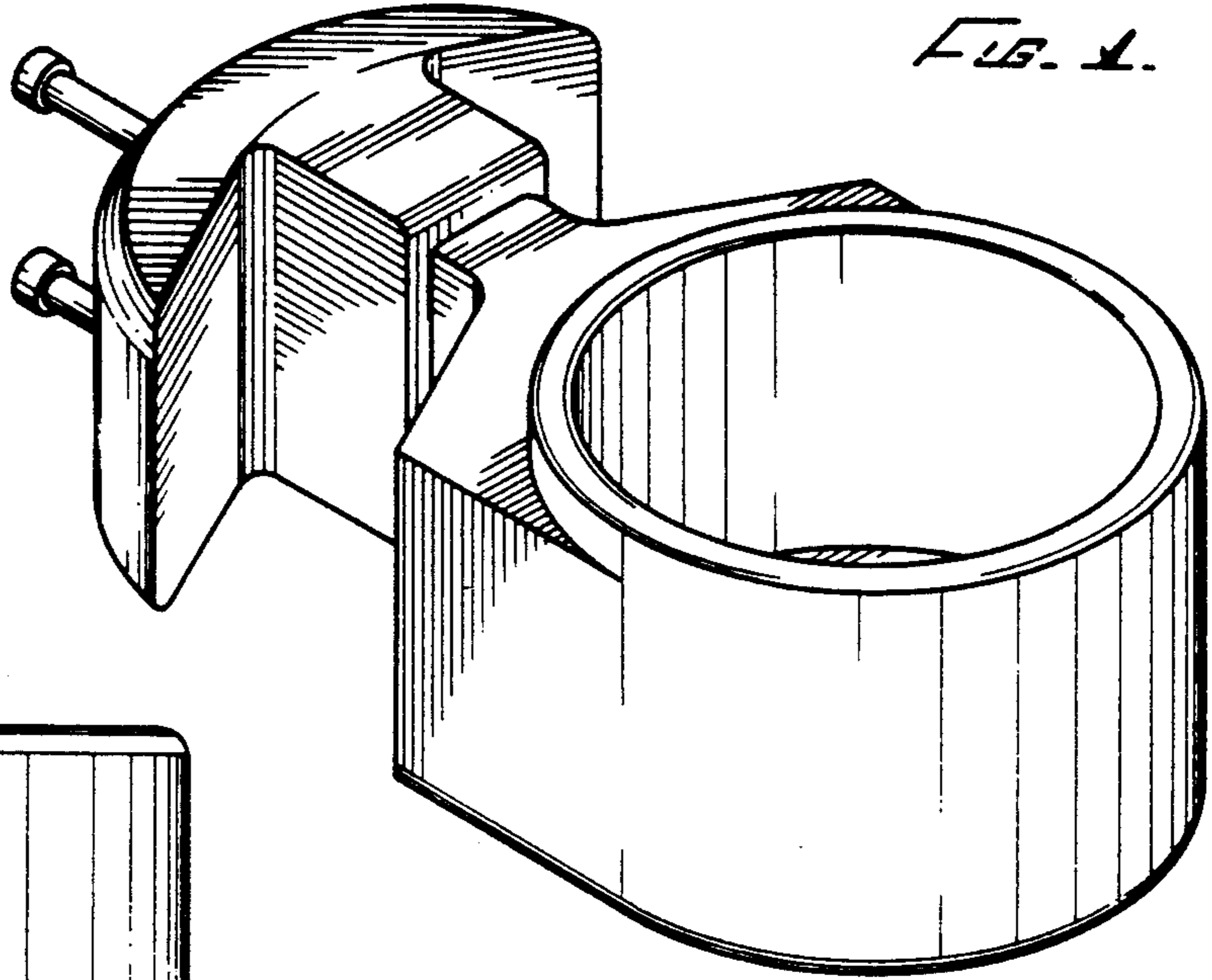


FIG. 1.

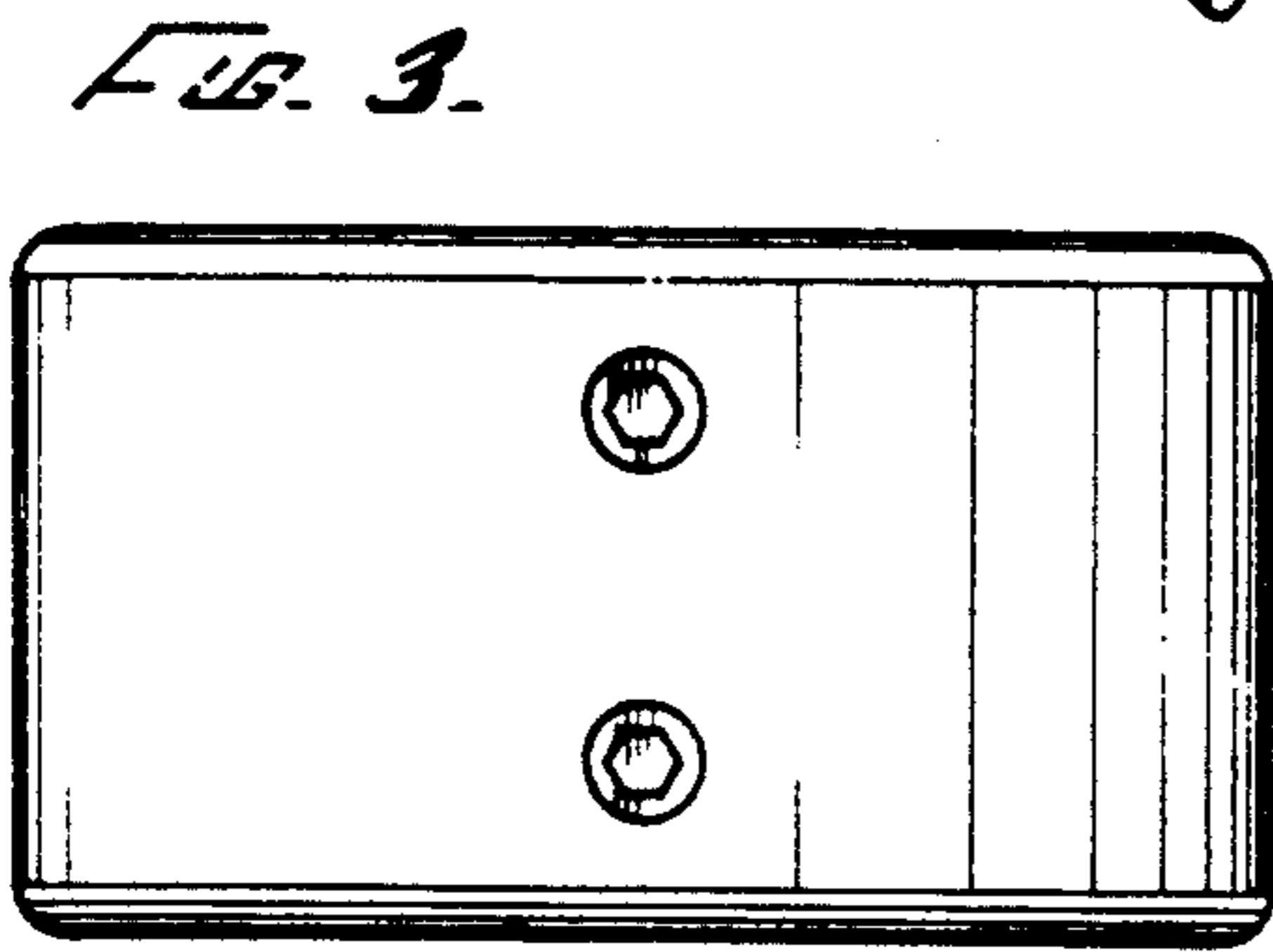


FIG. 3.

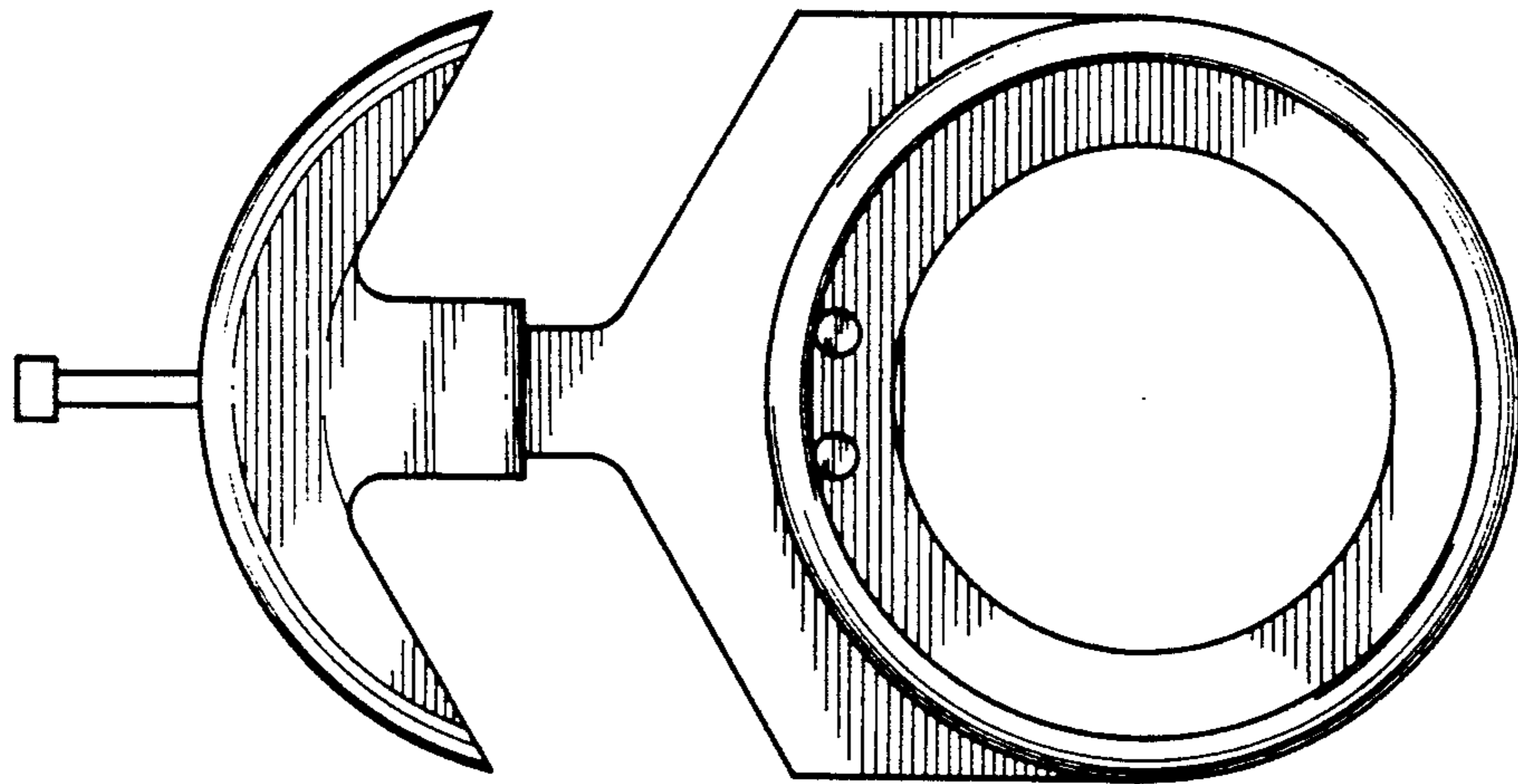


FIG. 2.

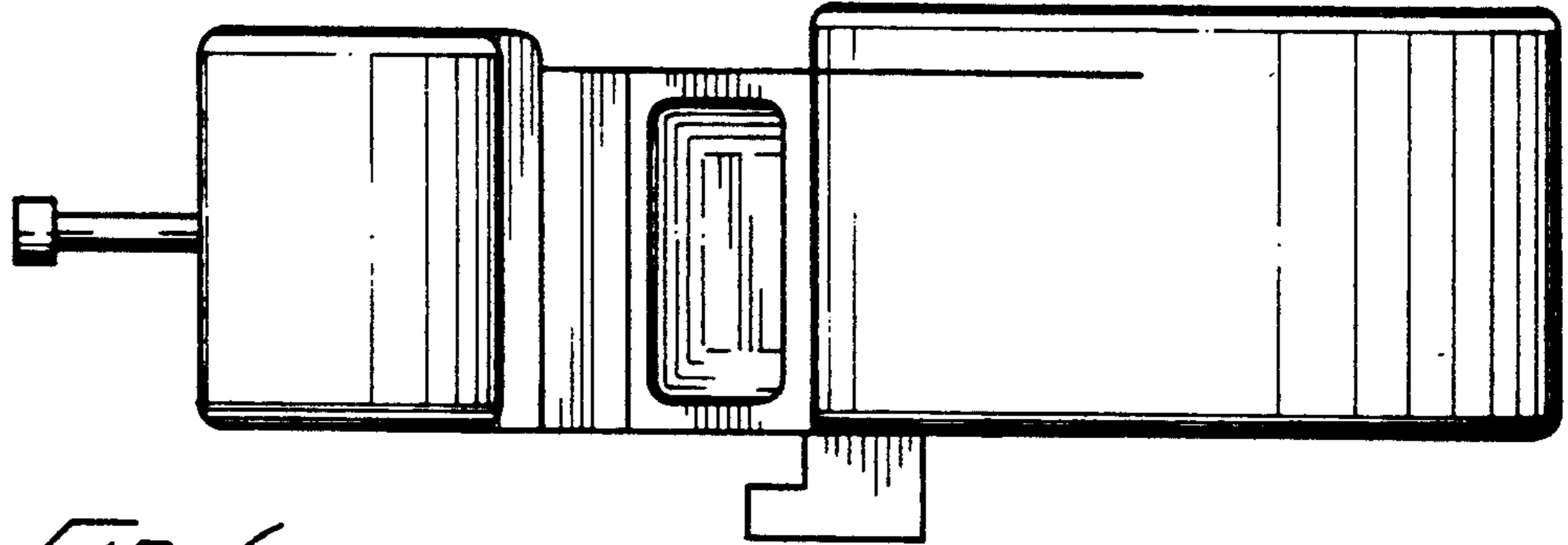


FIG. 4.

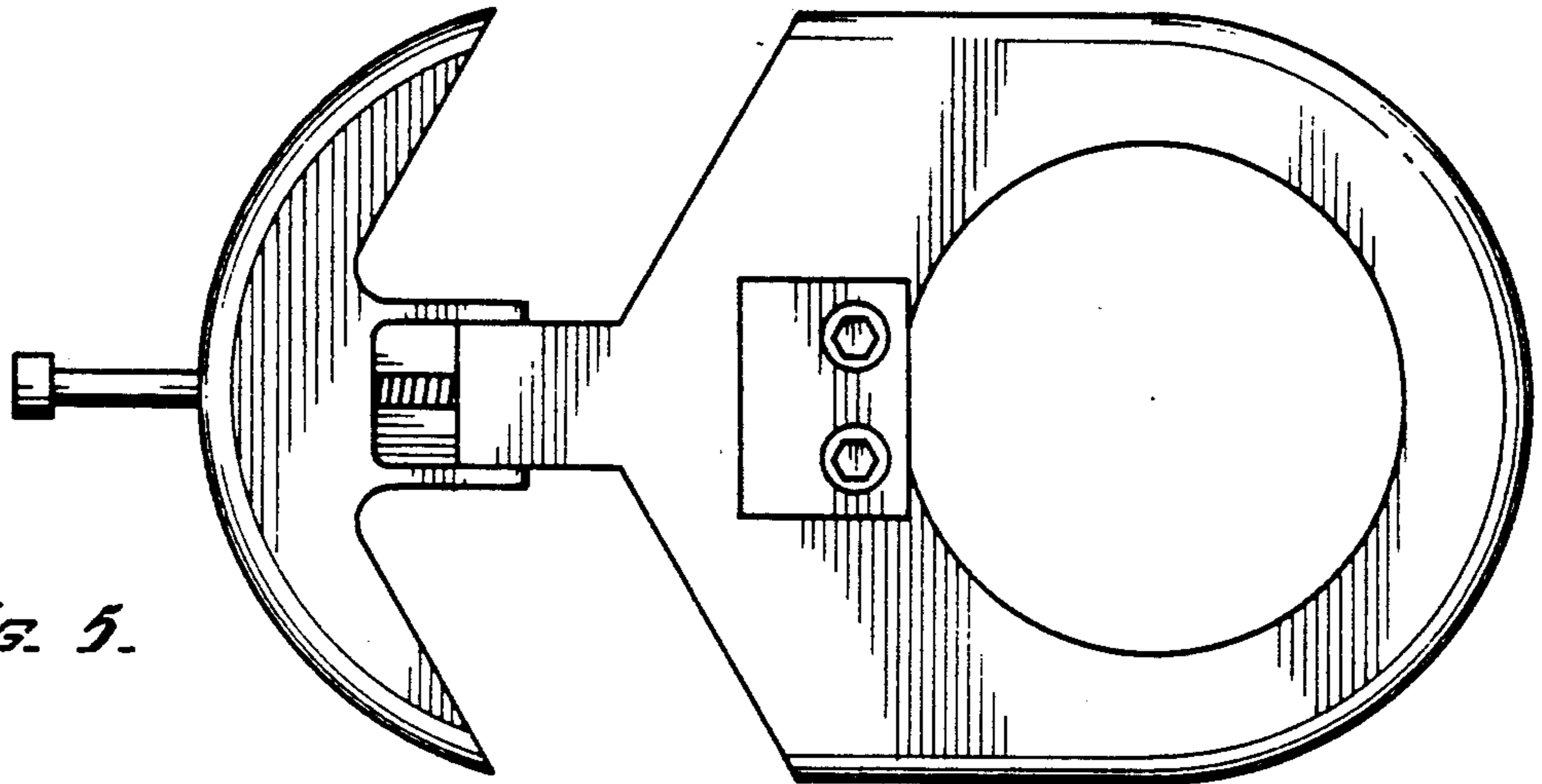


FIG. 5.

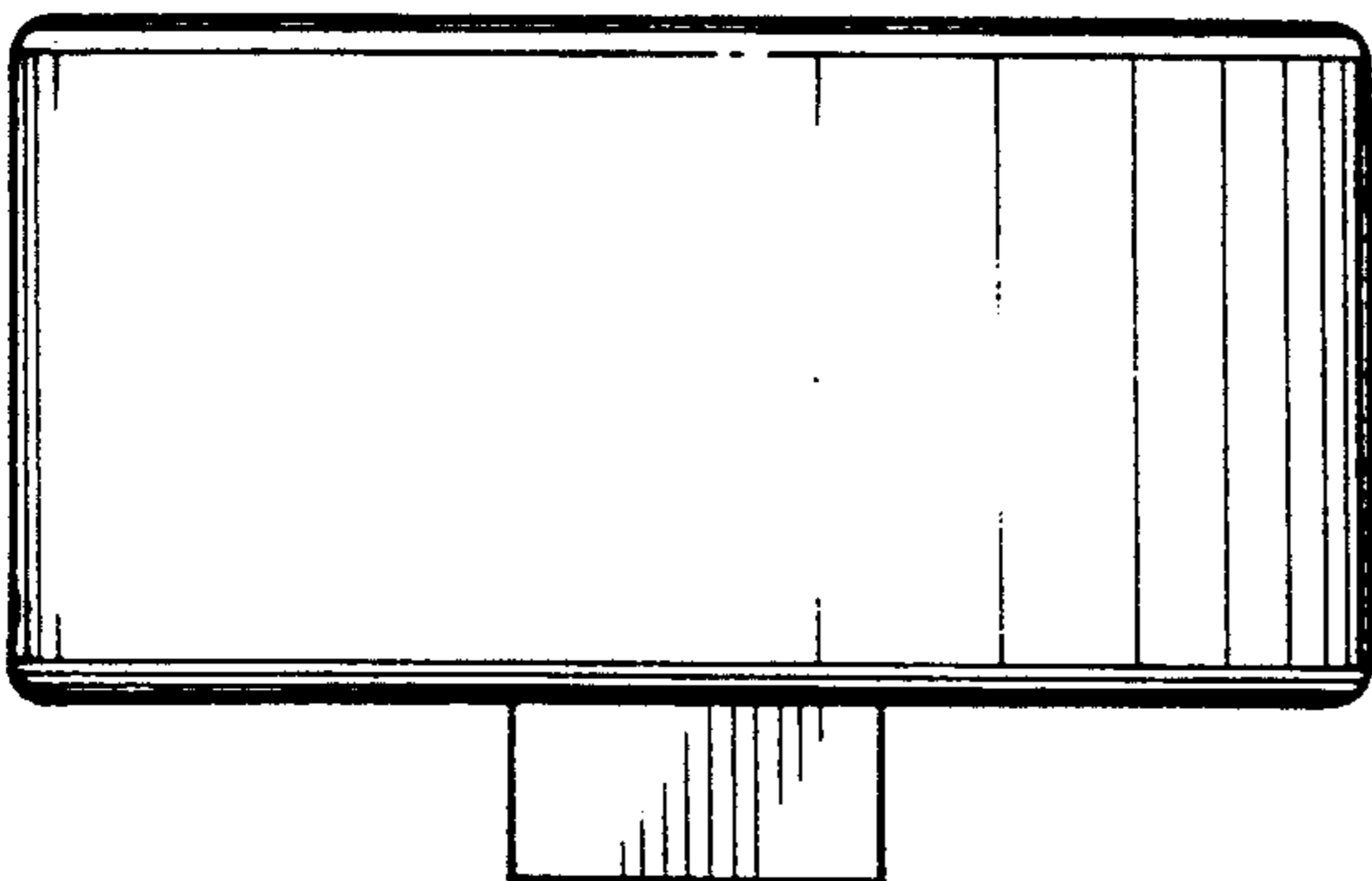


FIG. 6.