



US00D342870S

United States Patent [19]
LeClair

[11] **Patent Number: Des. 342,870**

[45] **Date of Patent: ** Jan. 4, 1994**

[54] **SHUCKER FOR SHELLFISH**
[76] **Inventor: Melvin E. LeClair, 1445 SW. 11th Pl., Fort Lauderdale, Fla. 33312**
[**] **Term: 14 Years**
[21] **Appl. No.: 867,606**
[22] **Filed: Apr. 13, 1992**
[52] **U.S. Cl. D7/693; D7/680**
[58] **Field of Search D7/680, 693; 452/6, 452/123, 102-3**

3,486,188 12/1969 Senick 452/6

Primary Examiner—Terry A. Wallace
Attorney, Agent, or Firm—Malin, Haley, DiMaggio & Crosby

[57] **CLAIM**

The ornamental design for shucker for shellfish, as shown and described.

DESCRIPTION

FIG. 1 is a front view of the shucker for shellfish showing the new design, the back view being identical; FIG. 2 is a top view thereof; FIG. 3 is a bottom view thereof; FIG. 4 is a left side elevational view thereof; FIG. 5 is a right side elevational view thereof; and, FIG. 6 is a perspective view thereof.

[56] **References Cited**
U.S. PATENT DOCUMENTS
D. 309,408 7/1990 Bell D7/693
3,231,930 2/1966 Berry D7/693 X
3,356,118 12/1967 Priset D7/693 X

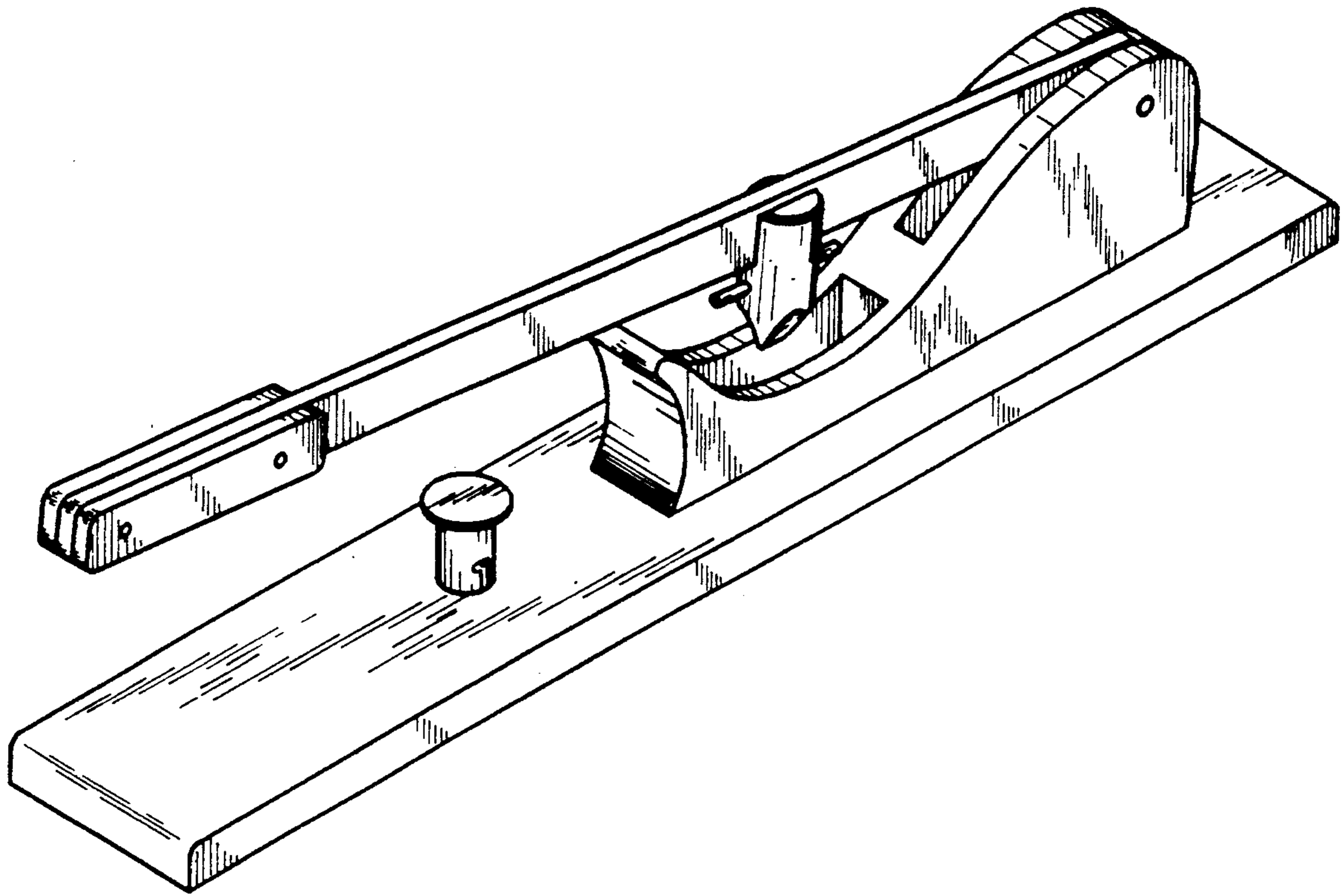


FIG. 1

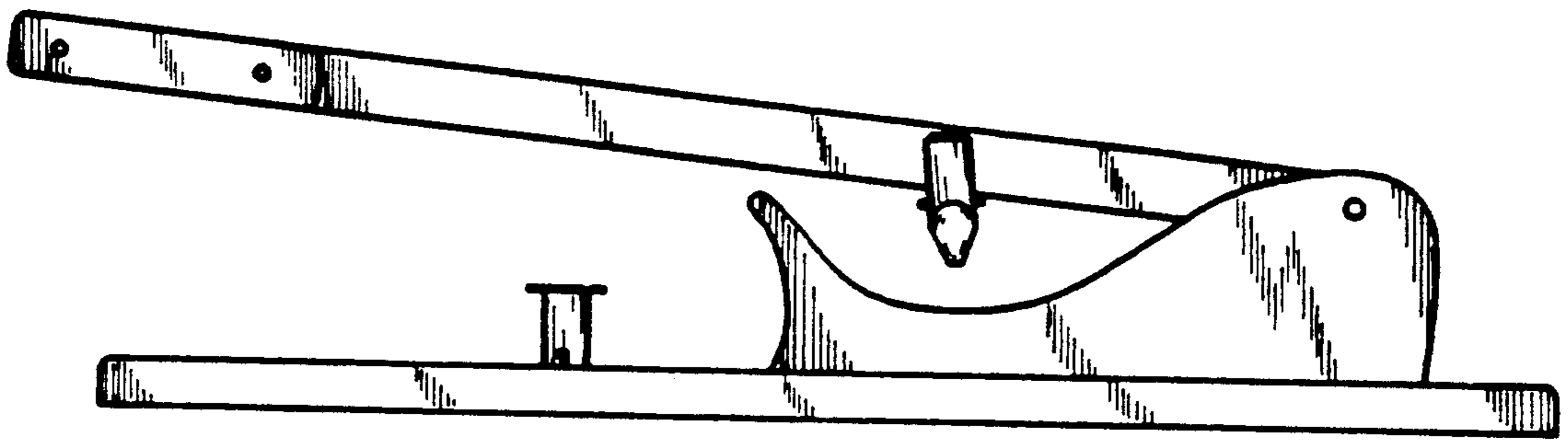


FIG. 2

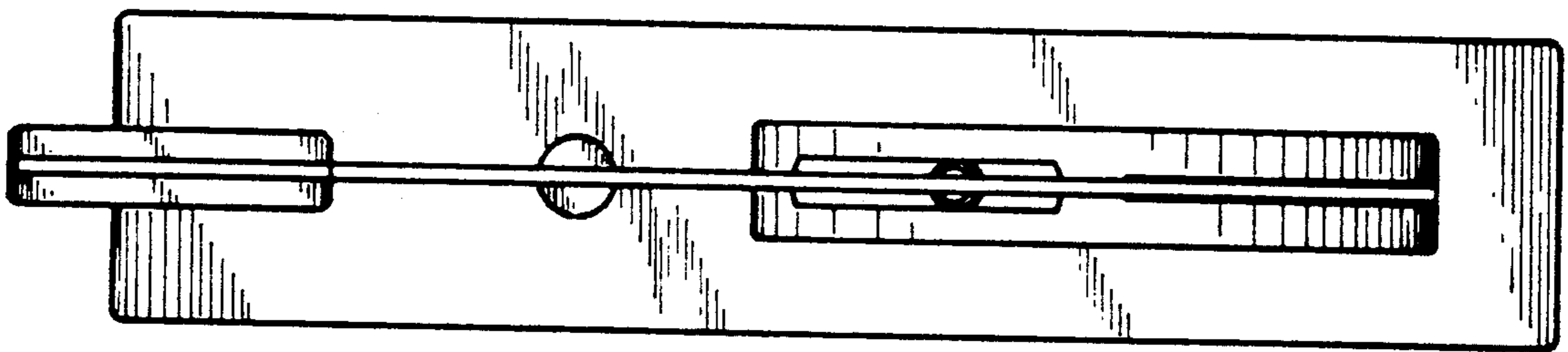


FIG. 3

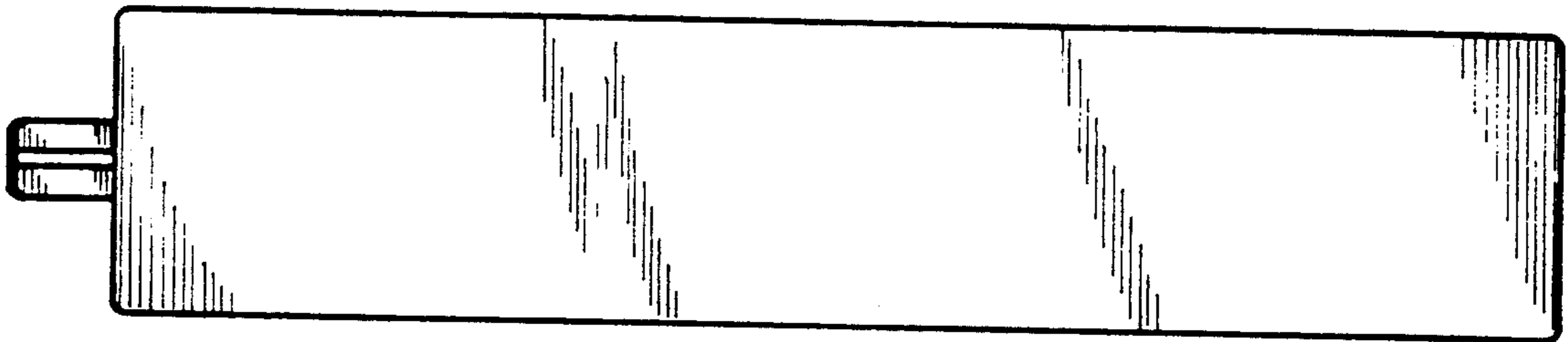


FIG. 4

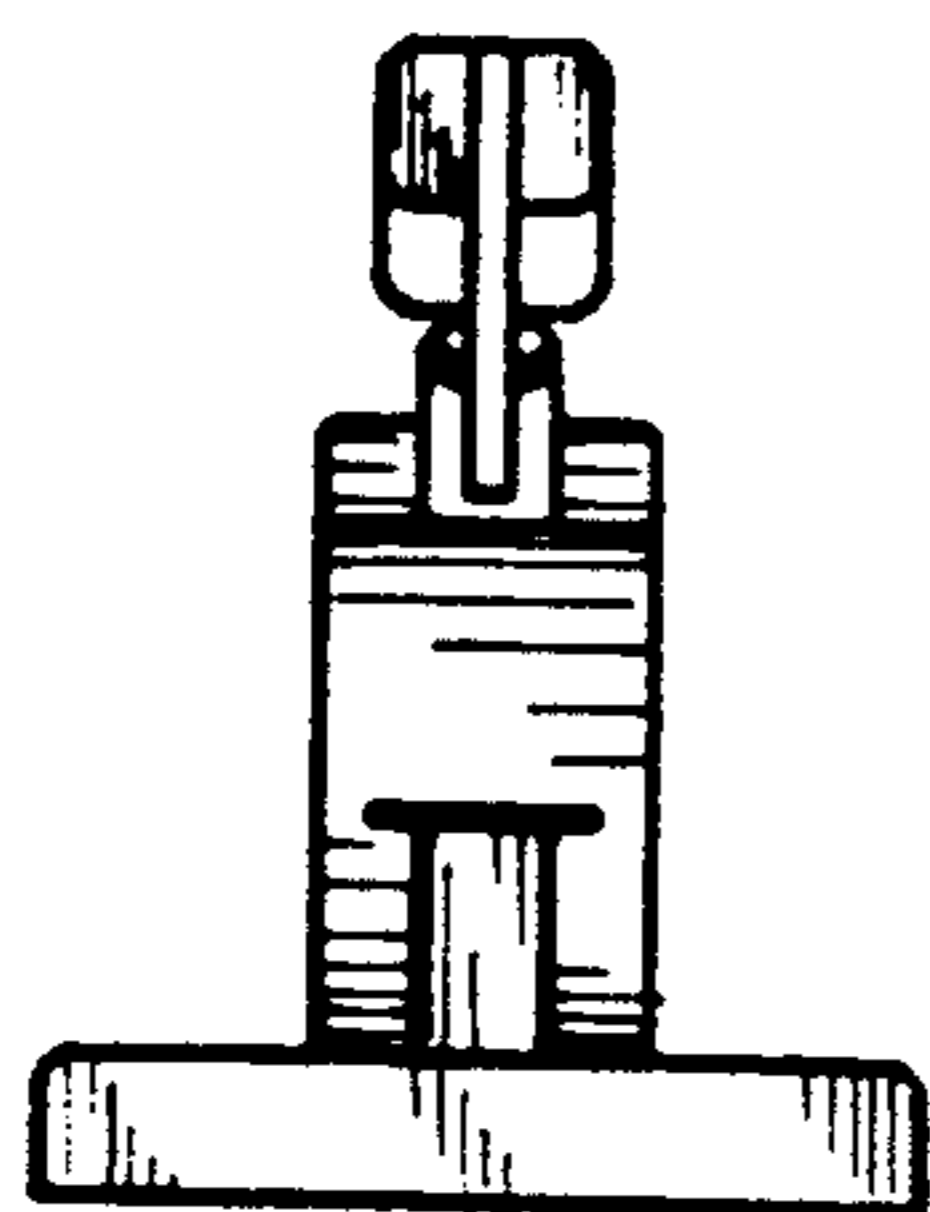


FIG. 5

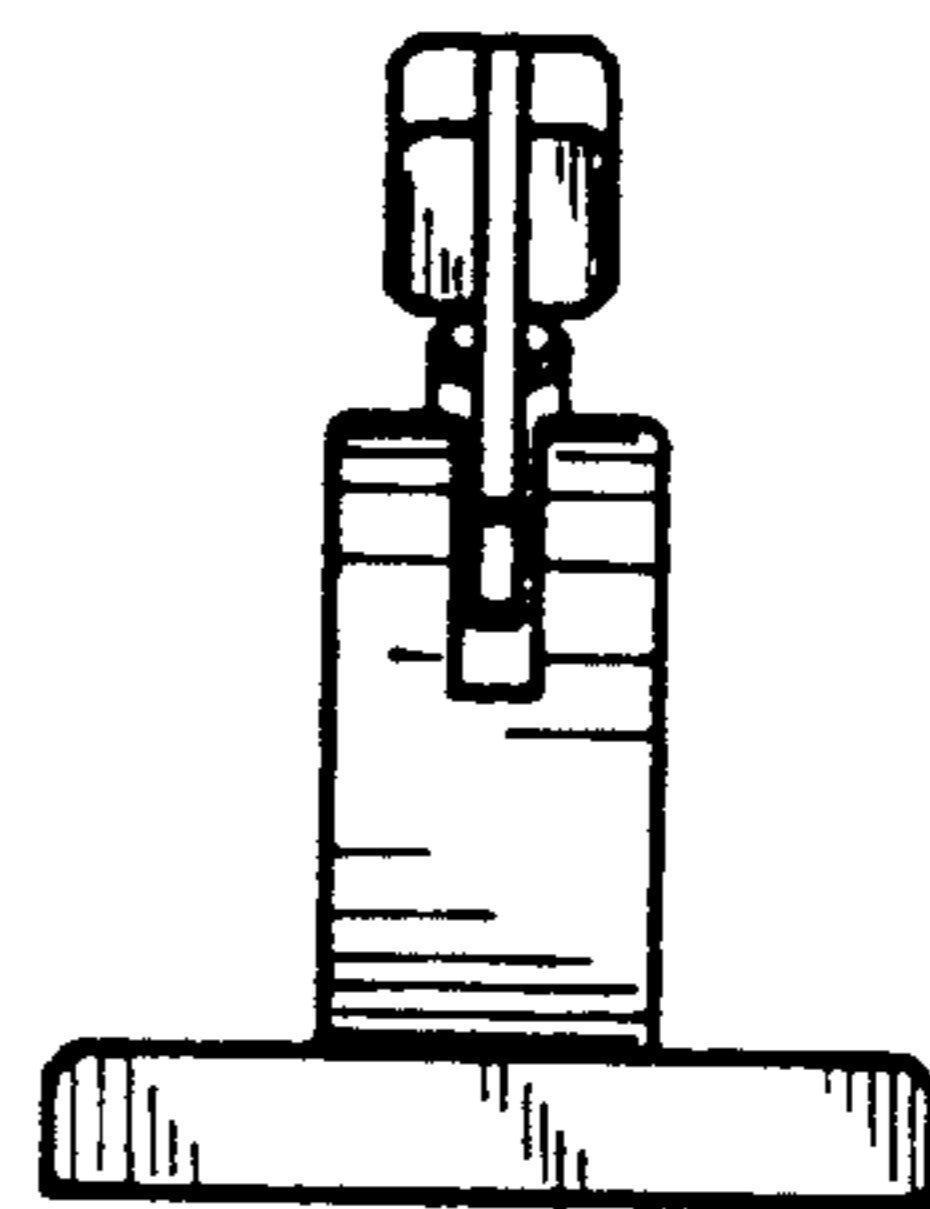


FIG. 6

