



US00D342869S

United States Patent [19]

[11] Patent Number: **Des. 342,869**

Fry

[45] Date of Patent: **** Jan. 4, 1994**

[54] CUP HOLDER

[56] References Cited

[76] Inventor: **Gary J. Fry**, 136 Beddington Drive
N.E., Calgary, Alberta, Canada,
T3K 1K3

U.S. PATENT DOCUMENTS

3,269,683 8/1966 Shinaveiz D7/620 X
5,152,489 10/1992 Christensen et al. 224/274 X

[**] Term: **14 Years**

Primary Examiner—Terry A. Wallace
Attorney, Agent, or Firm—George Dunsmuir

[57] CLAIM

[21] Appl. No.: **879,369**

The ornamental design for a cup holder, as shown and described.

[22] Filed: **May 7, 1992**

DESCRIPTION

[52] U.S. Cl. **D7/620; D21/234**

FIG. 1 is a top, front, left side perspective view of the cup holder showing my new design;

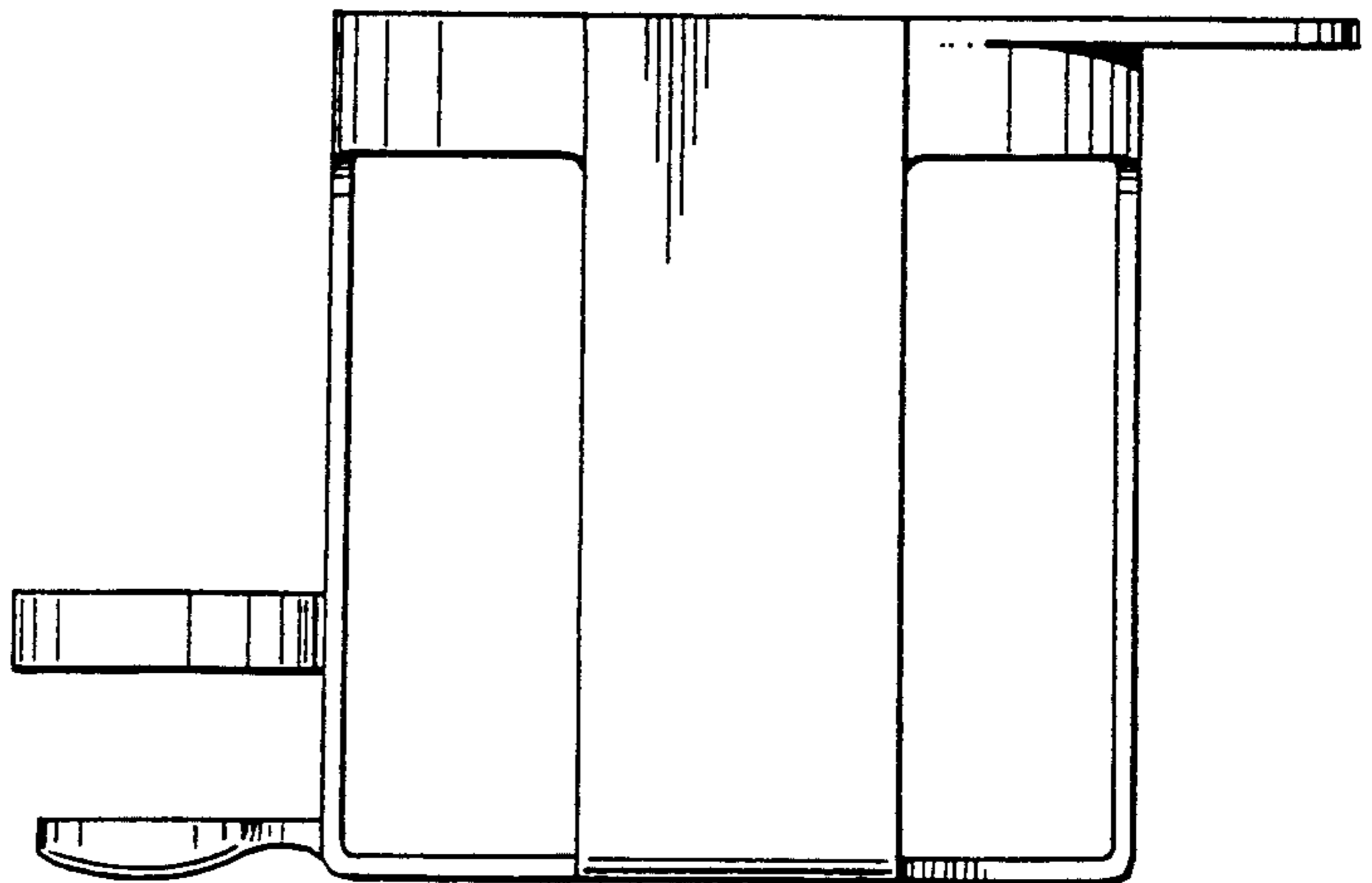
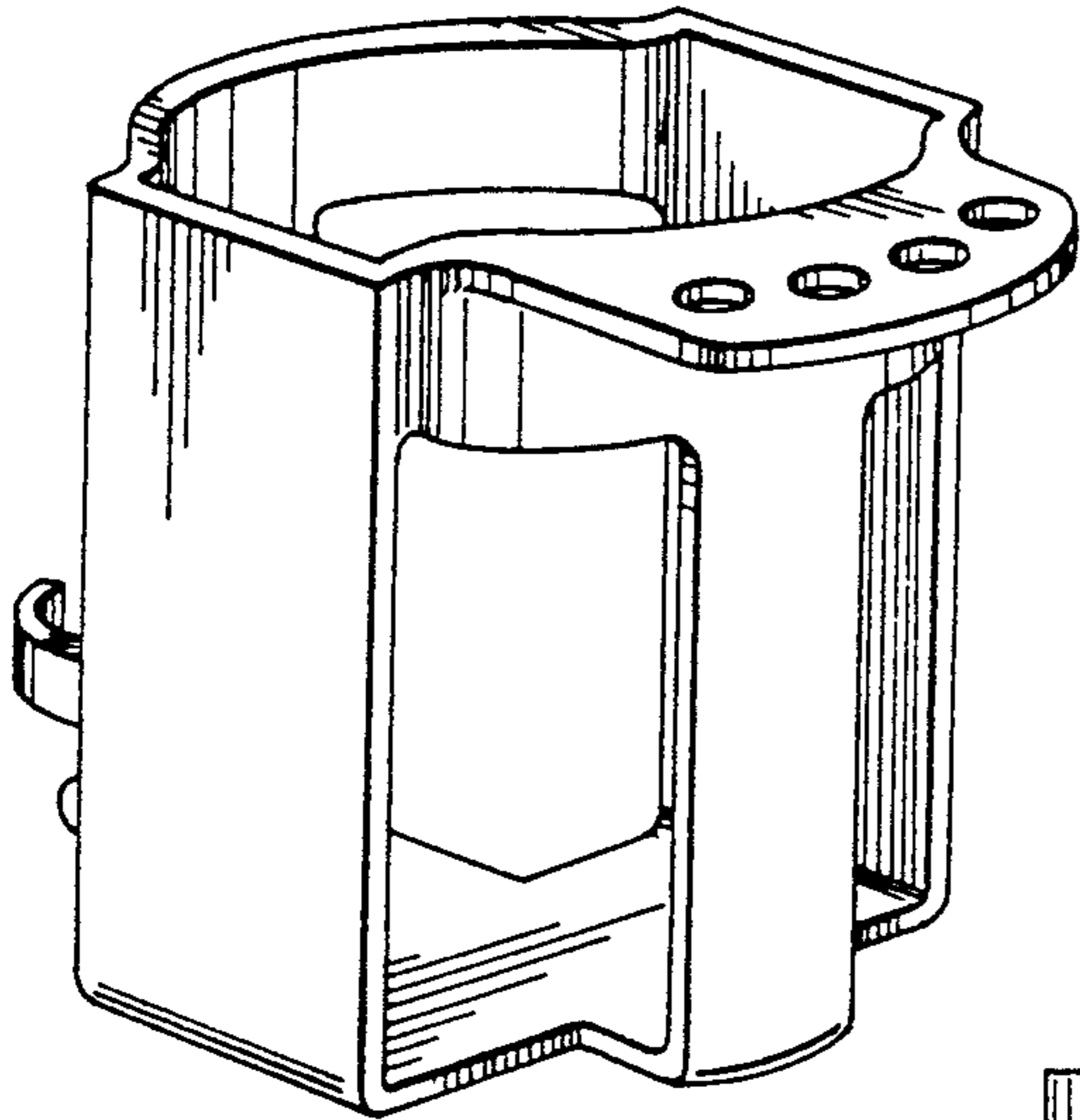
[58] Field of SearchD7/616, 617, 618, 619,
620, 621, 622, 623, 624, 625; D3/104;
D21/234; 220/737; 211/71, 74; 224/274,
277, 918, 919; 248/311.2

FIG. 2 is a left side elevational view thereof, the opposite side being a mirror image;

FIG. 3 is a rear elevational view thereof;

FIG. 4 is a top plan view thereof; and,

FIG. 5 is a bottom plan view thereof.



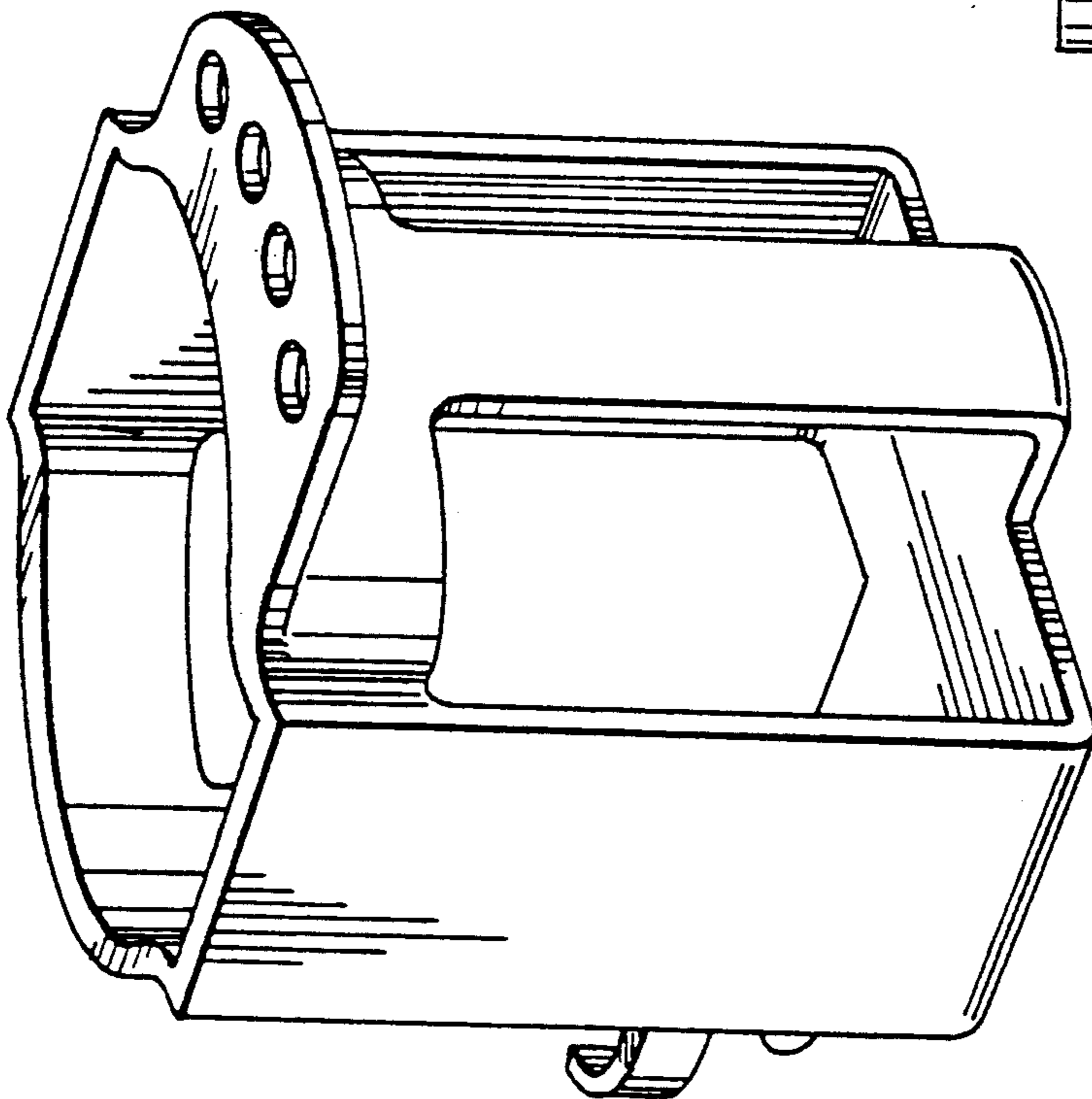


FIG. 1

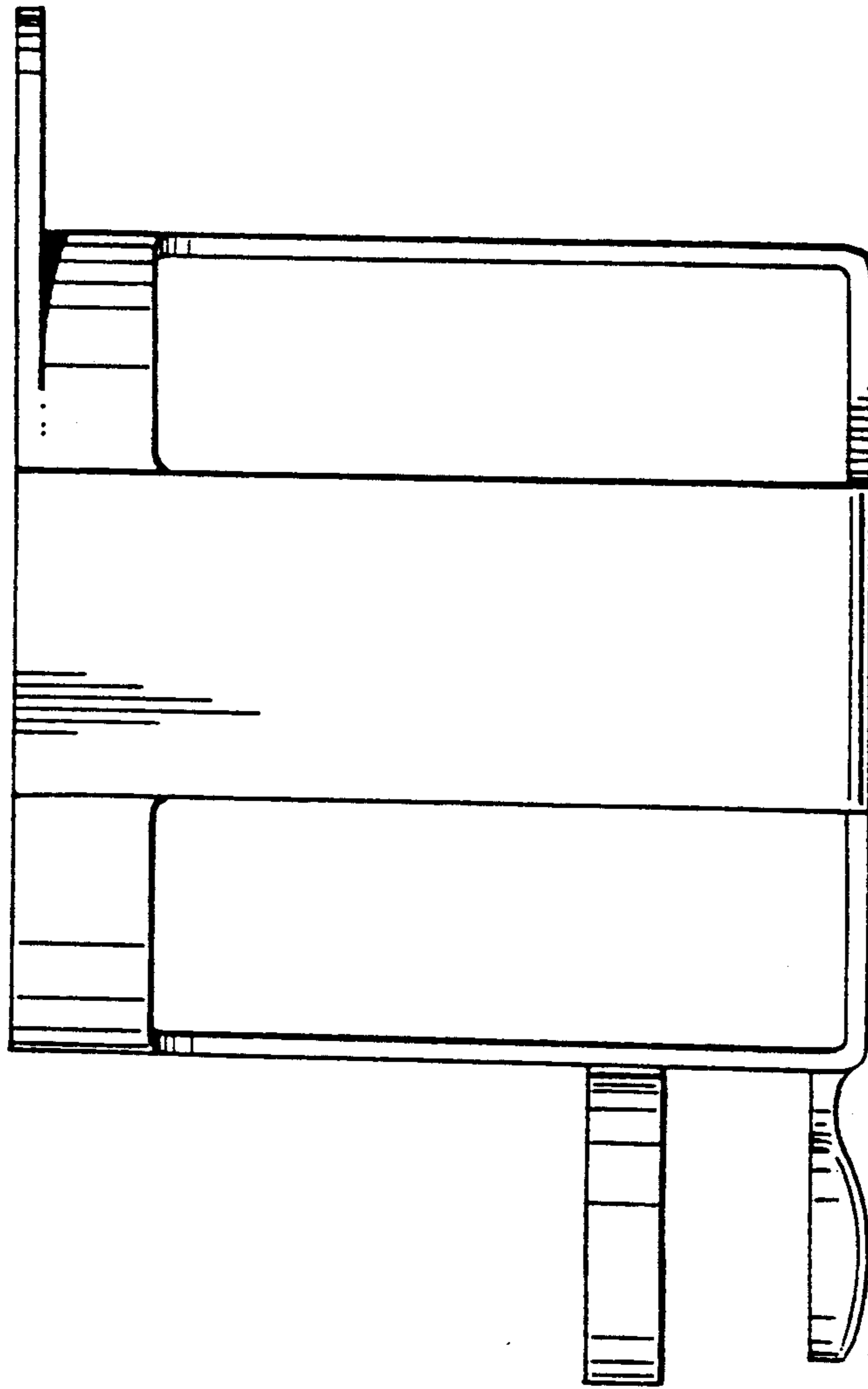


FIG. 2

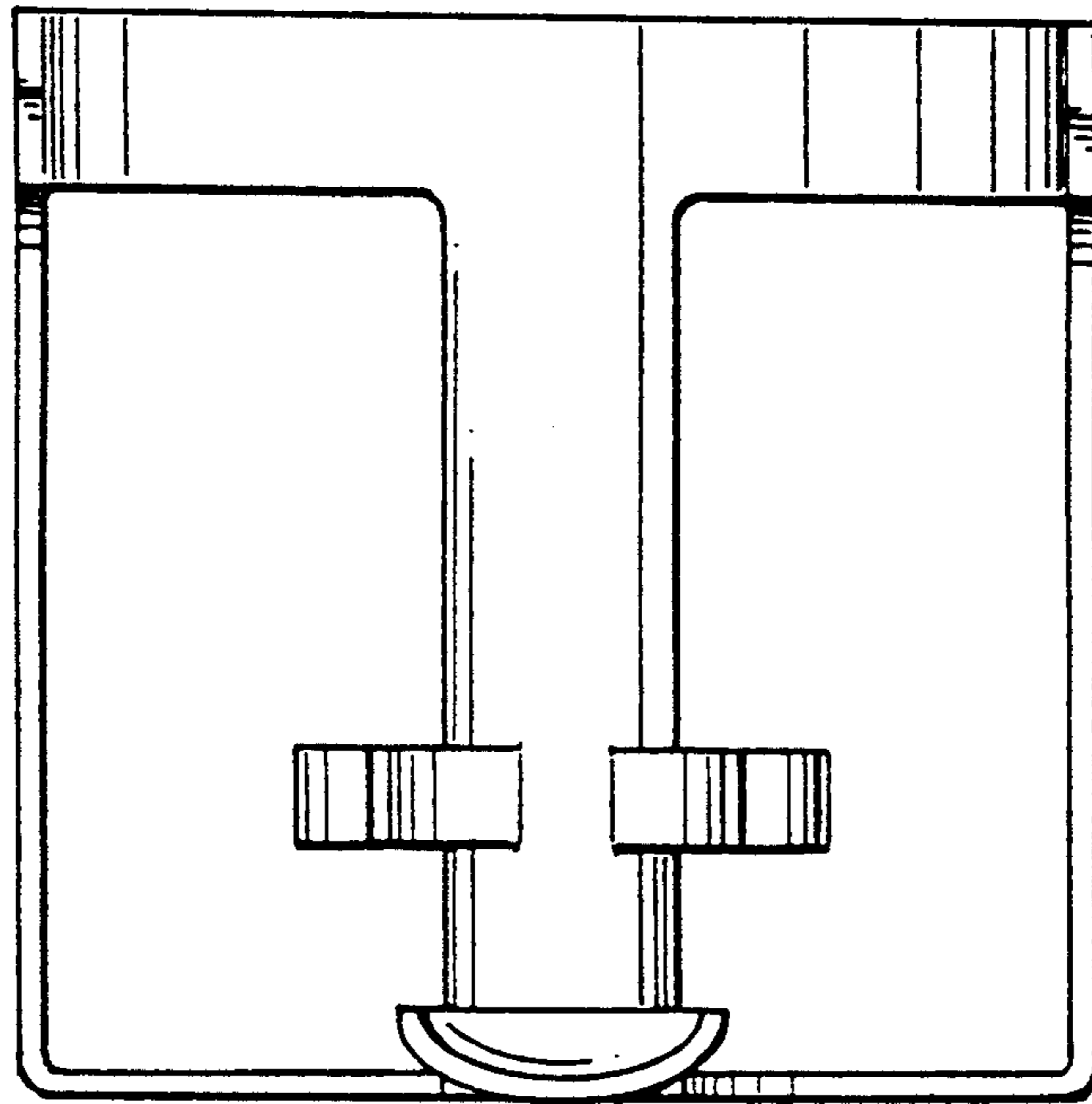


FIG. 3

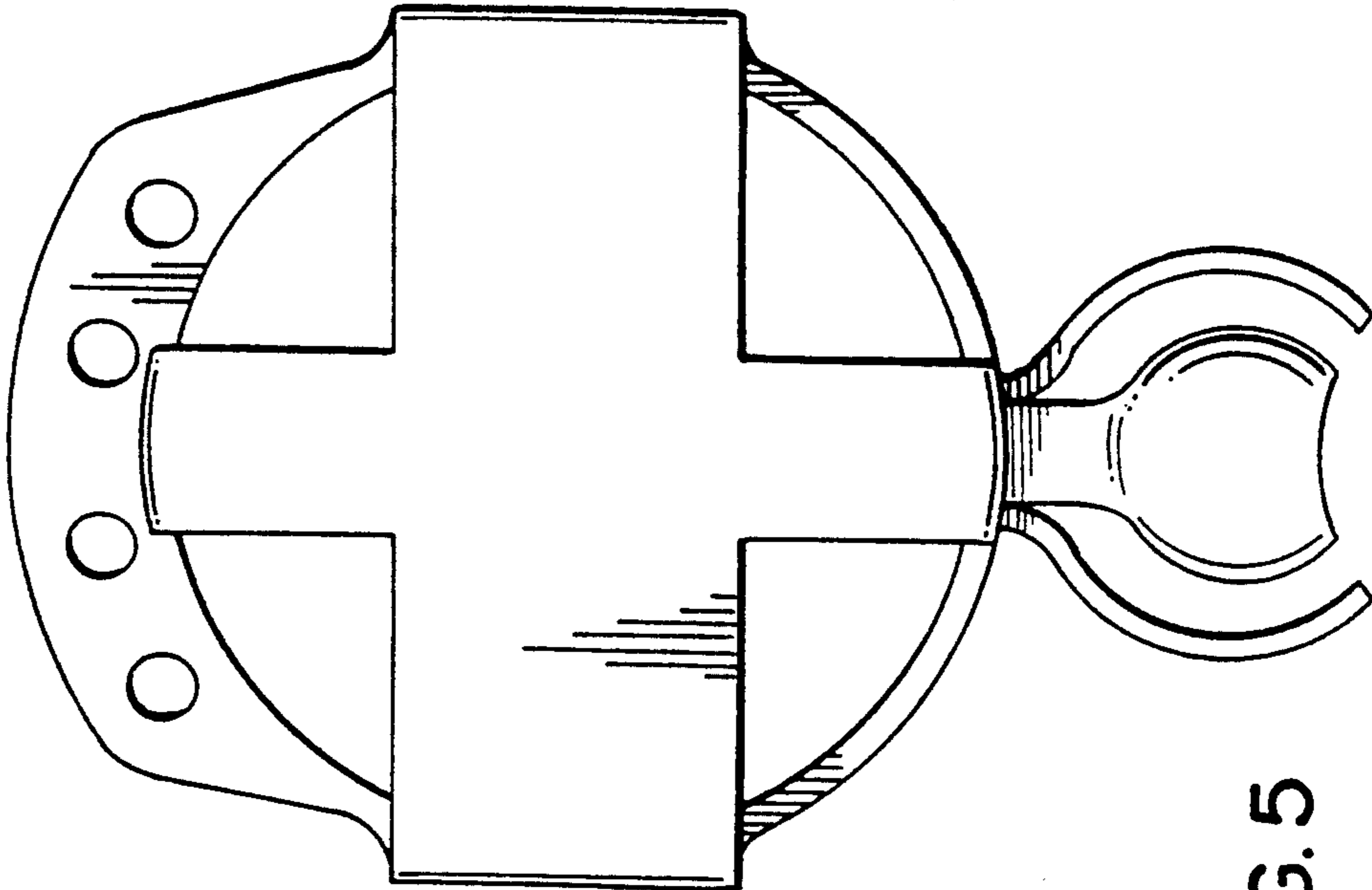


FIG. 5

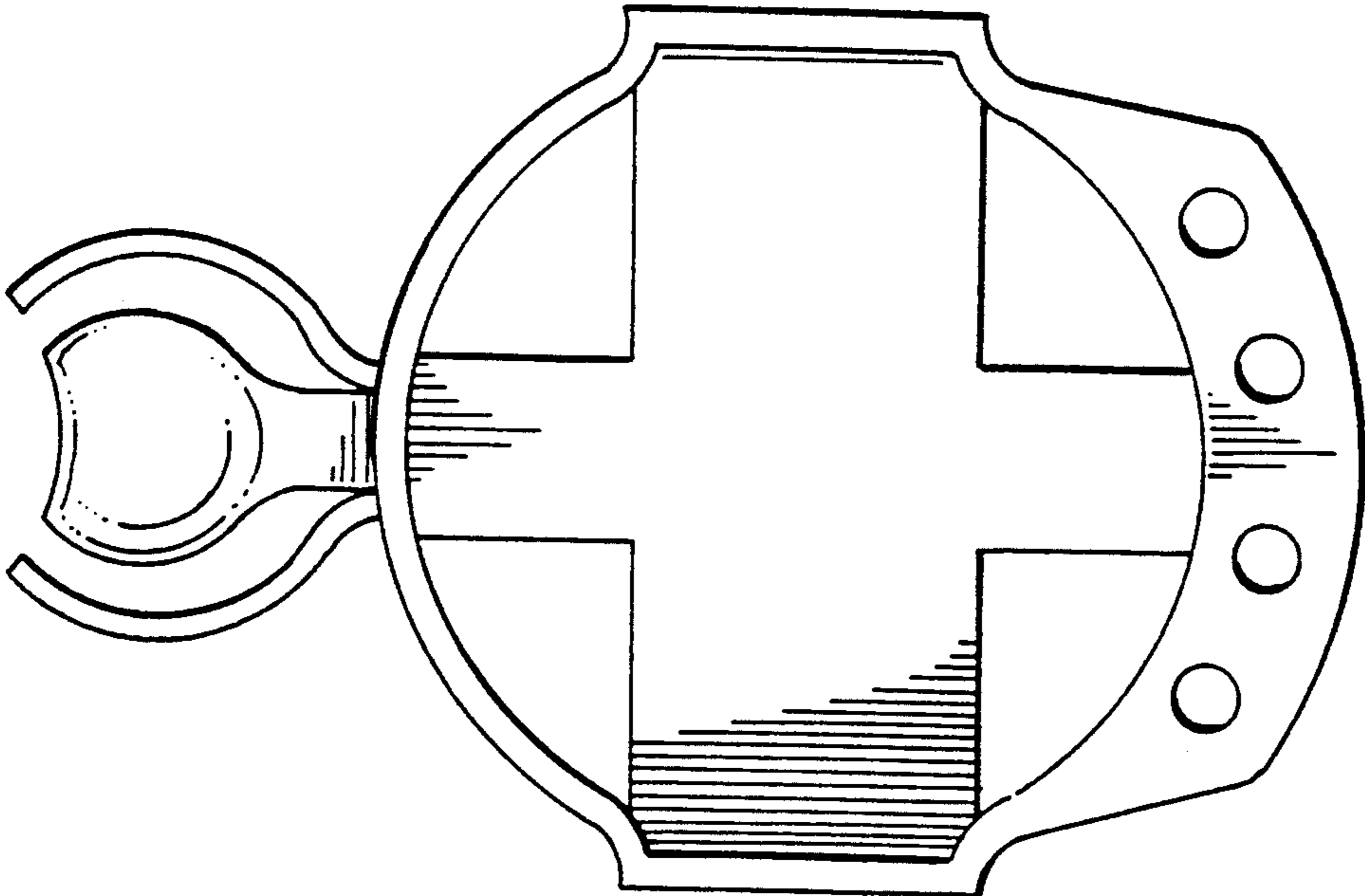


FIG. 4