



US00D342862S

United States Patent [19]

[11] Patent Number: **Des. 342,862**

Kurz

[45] Date of Patent: **** Jan. 4, 1994**

[54] **TOASTER**

5,193,439 3/1993 Finesman et al. 99/385 X

[75] Inventor: **Michael Kurz**, Frankfurt, Fed. Rep. of Germany

Primary Examiner—Alan P. Douglas
Assistant Examiner—Caron D. Veynar
Attorney, Agent, or Firm—Anderson Kill Olick & Oshinsky

[73] Assignee: **Rowenta-Werke GmbH**, Offenbach am Main, Fed. Rep. of Germany

[**] Term: **14 Years**

[57] **CLAIM**

The ornamental design for a toaster, as shown and described.

[21] Appl. No.: **948,806**

[22] Filed: **Sep. 22, 1992**

DESCRIPTION

[30] **Foreign Application Priority Data**

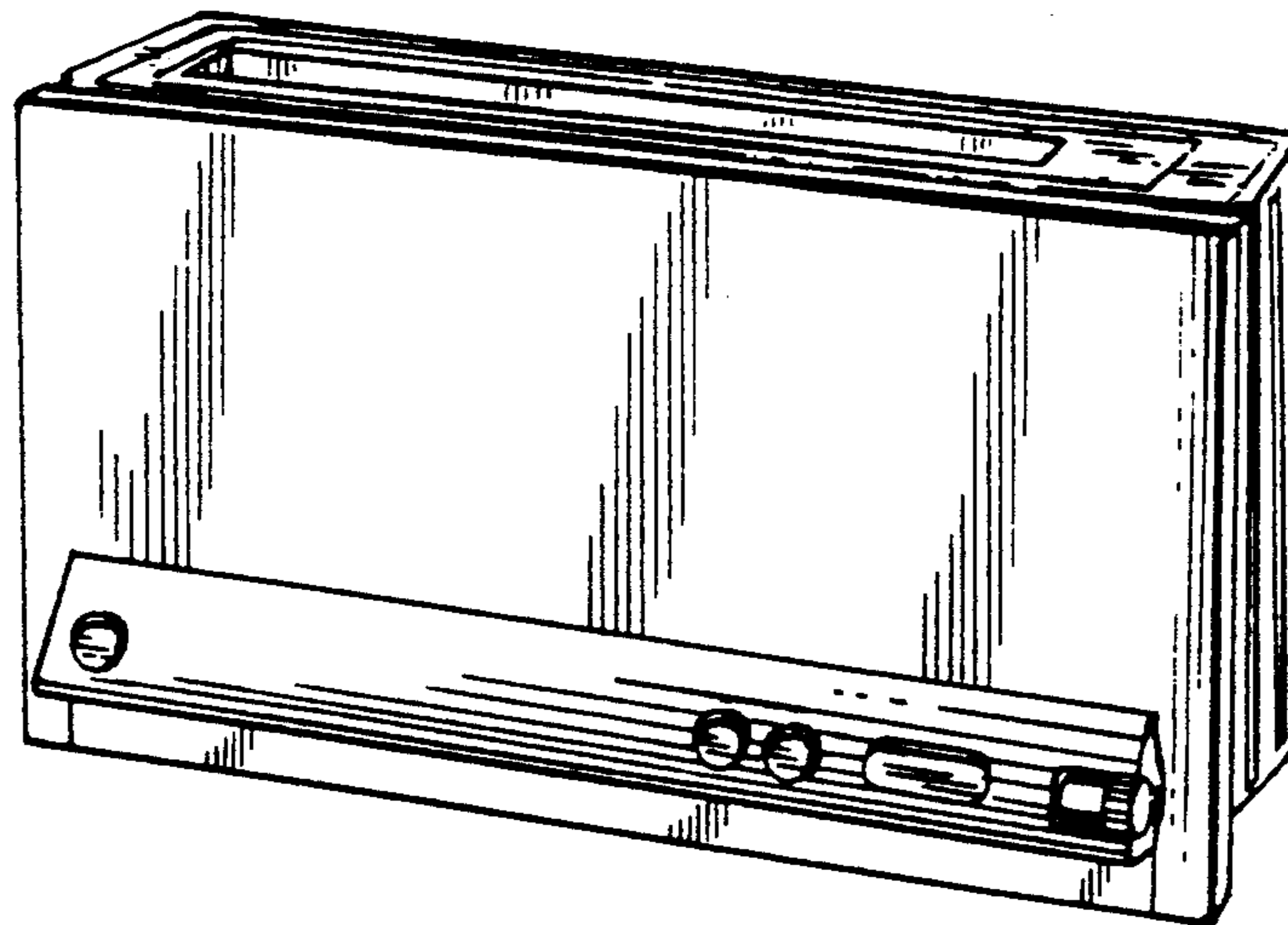
Mar. 28, 1992 [DE] Fed. Rep. of Germany 9202491
[52] U.S. Cl. **D7/330; D7/328**
[58] Field of Search **D7/323, 328-330, 390; 99/385, 389, 390, 391**

FIG. 1 is a perspective front view of my toaster design; FIG. 2 is a perspective rear view from the opposite side thereof; FIG. 3 is a right side elevational view thereof; FIG. 4 is a left side elevational view thereof; FIG. 5 is a front elevational view thereof; FIG. 6 is a rear elevational view thereof; FIG. 7 is a top view thereof; FIG. 8 is a bottom view thereof; FIG. 9 is a second embodiment of FIG. 1; FIG. 10 is a third embodiment of FIG. 1; and, FIG. 11 is a fourth embodiment of FIG. 1.

[56] **References Cited**

U.S. PATENT DOCUMENTS

D. 196,284 9/1963 Swanson D7/330
D. 312,943 12/1990 Sanchez D7/330



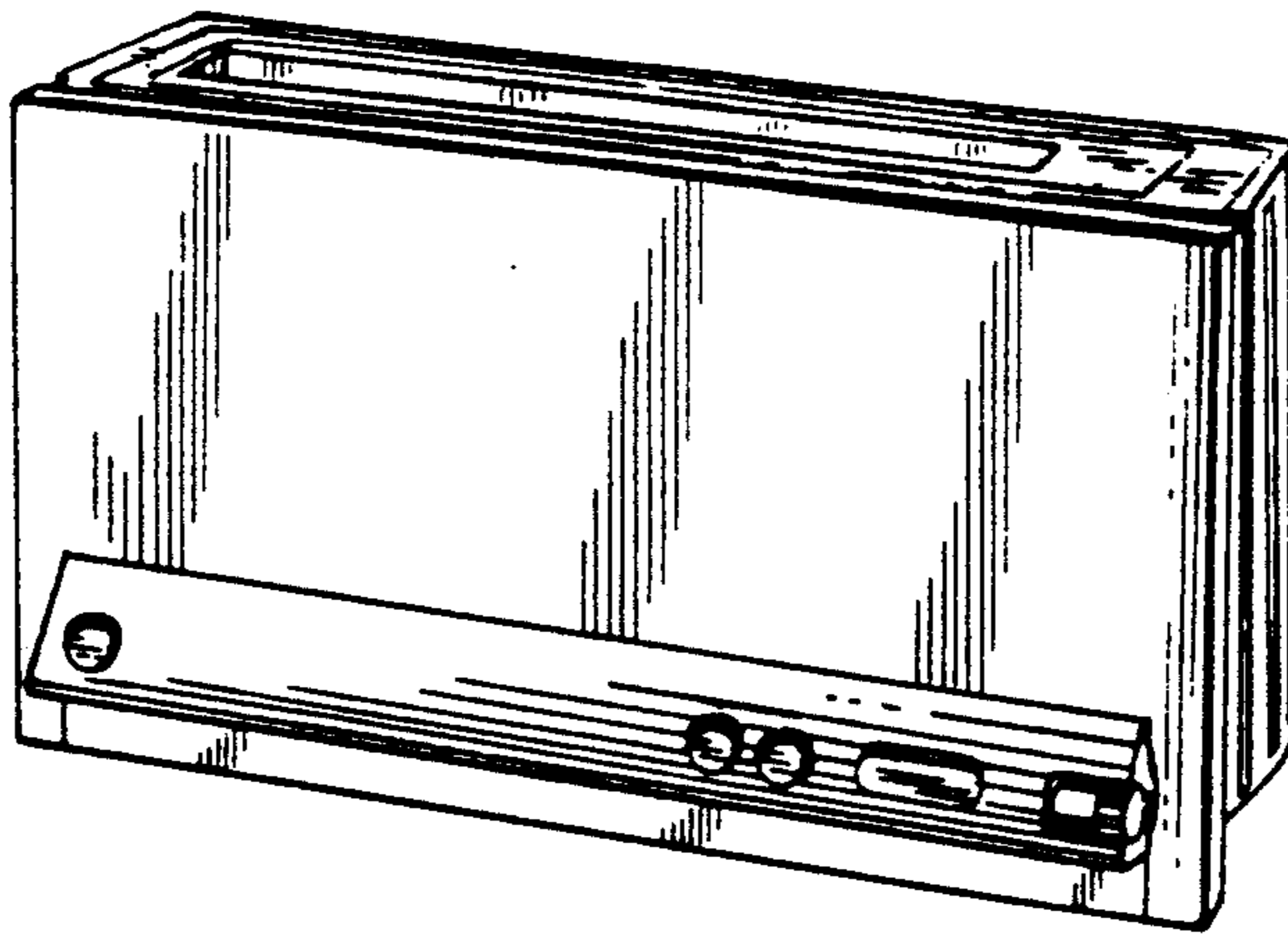


FIG. 1

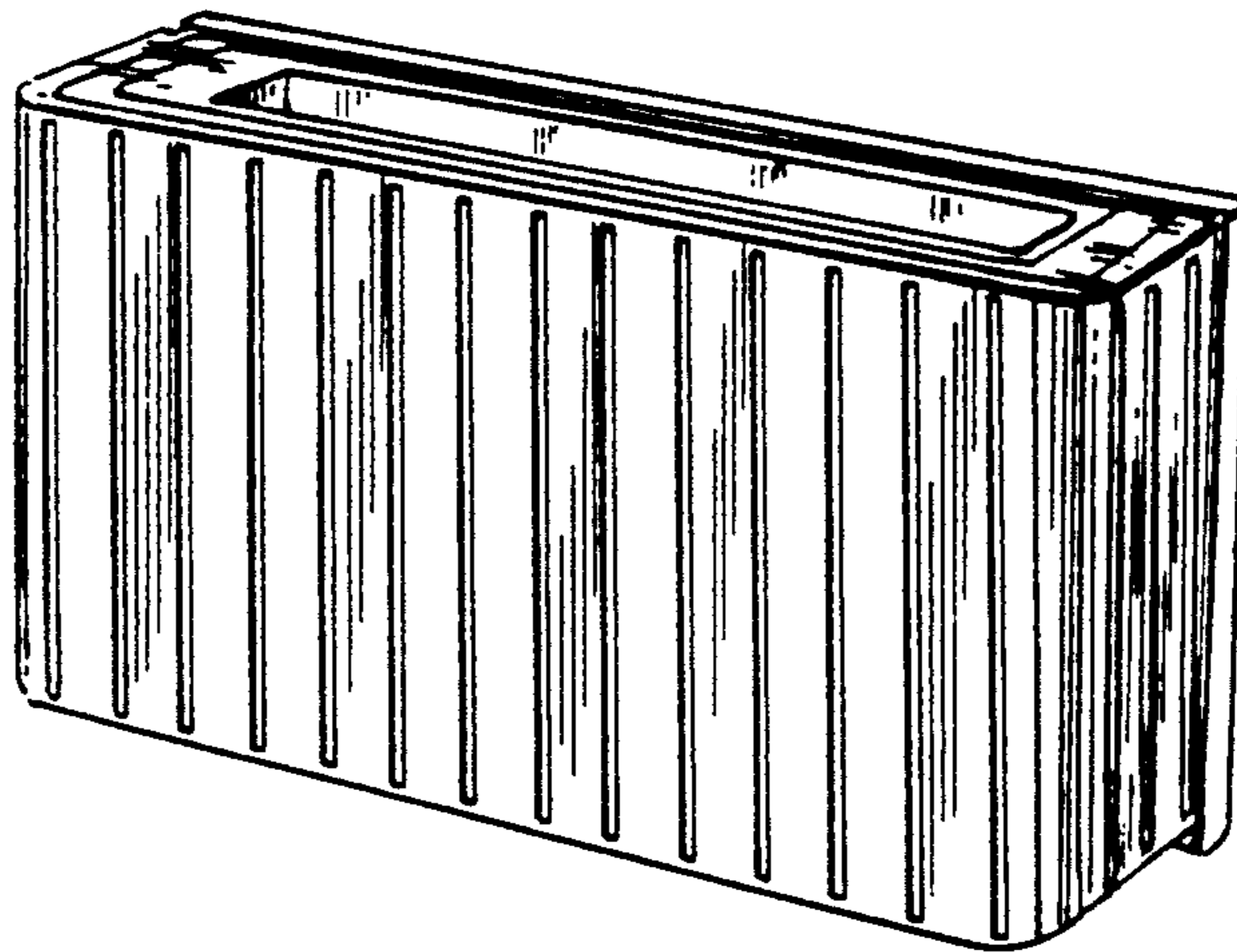


FIG. 2

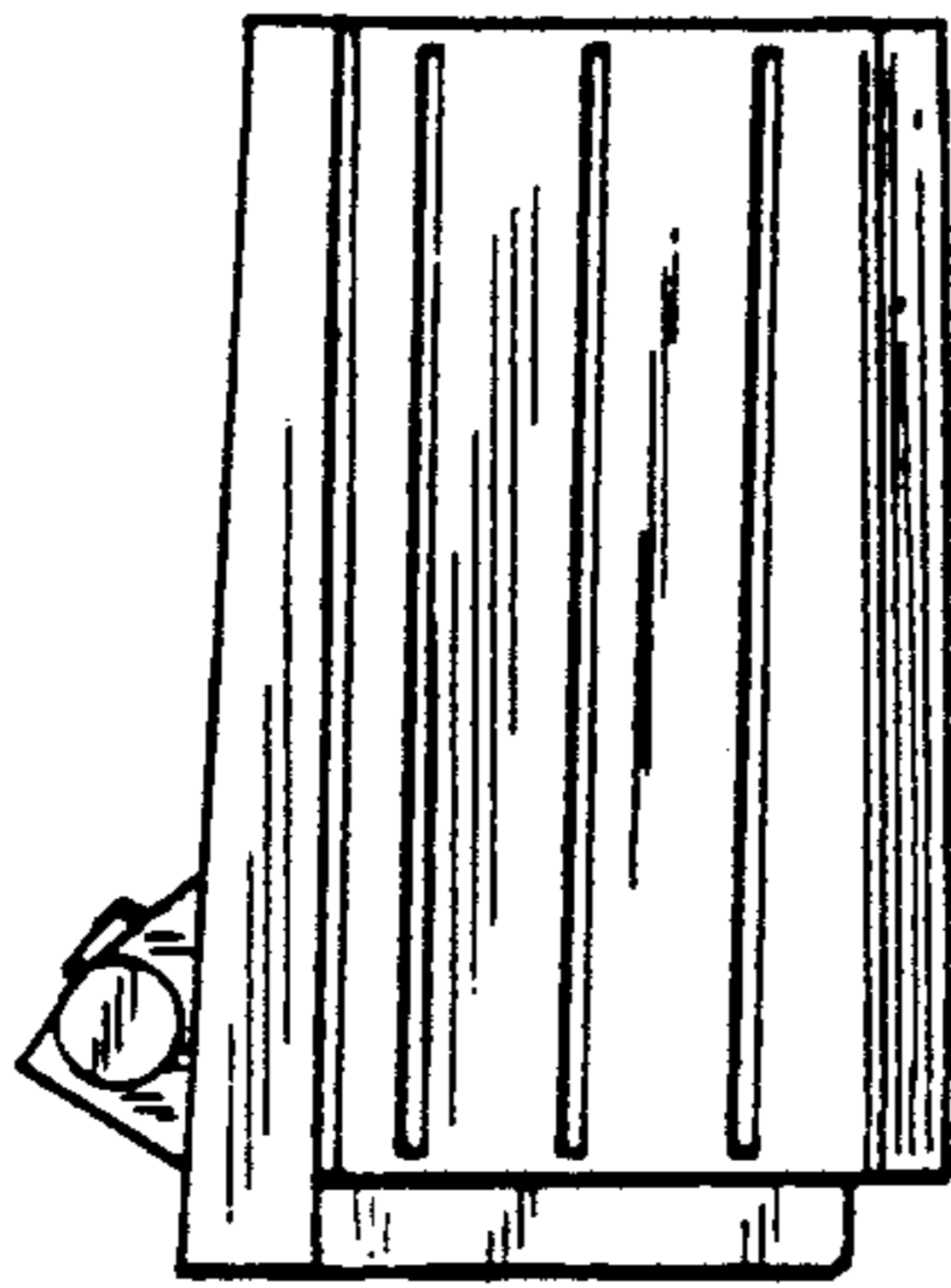


FIG. 3

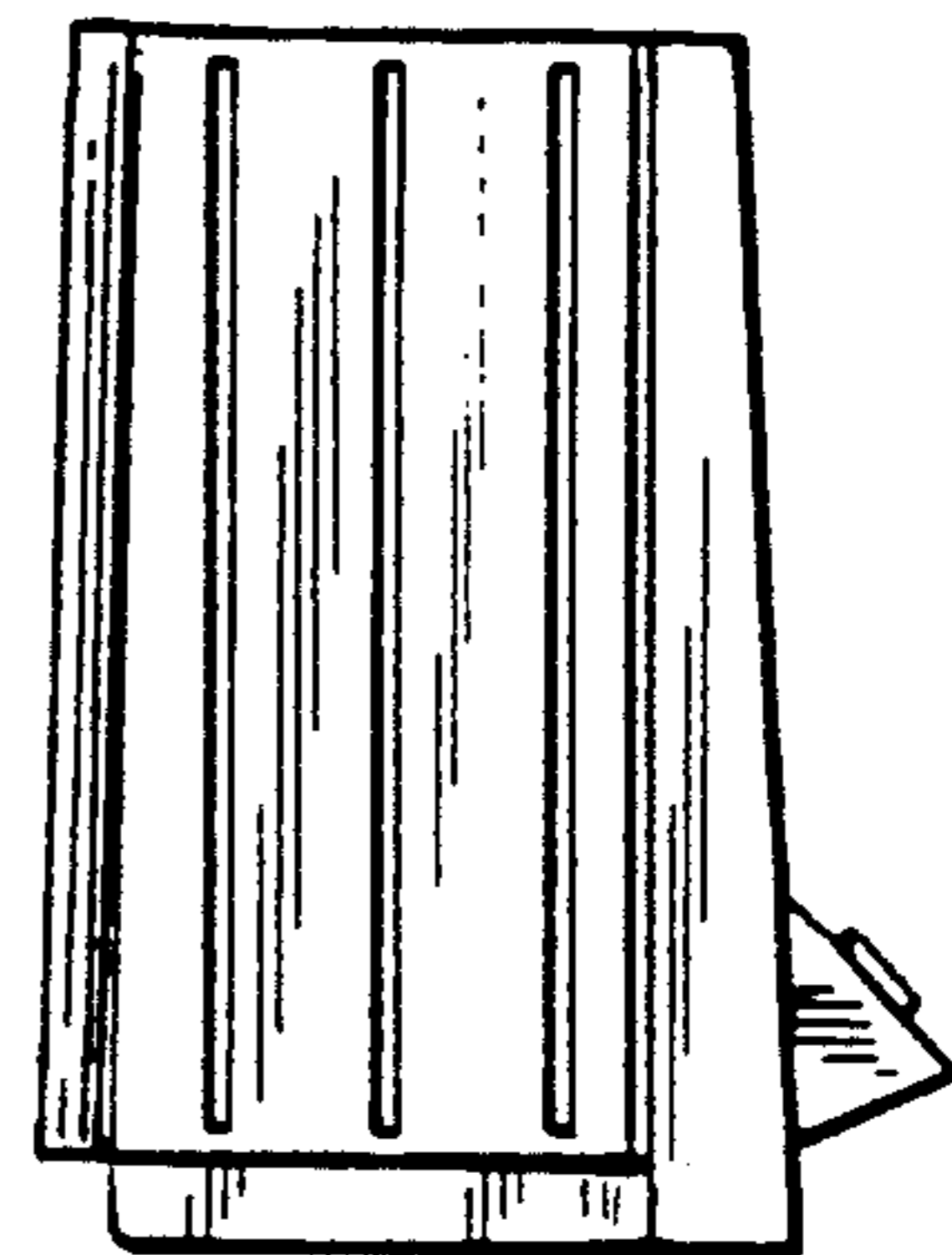


FIG. 4

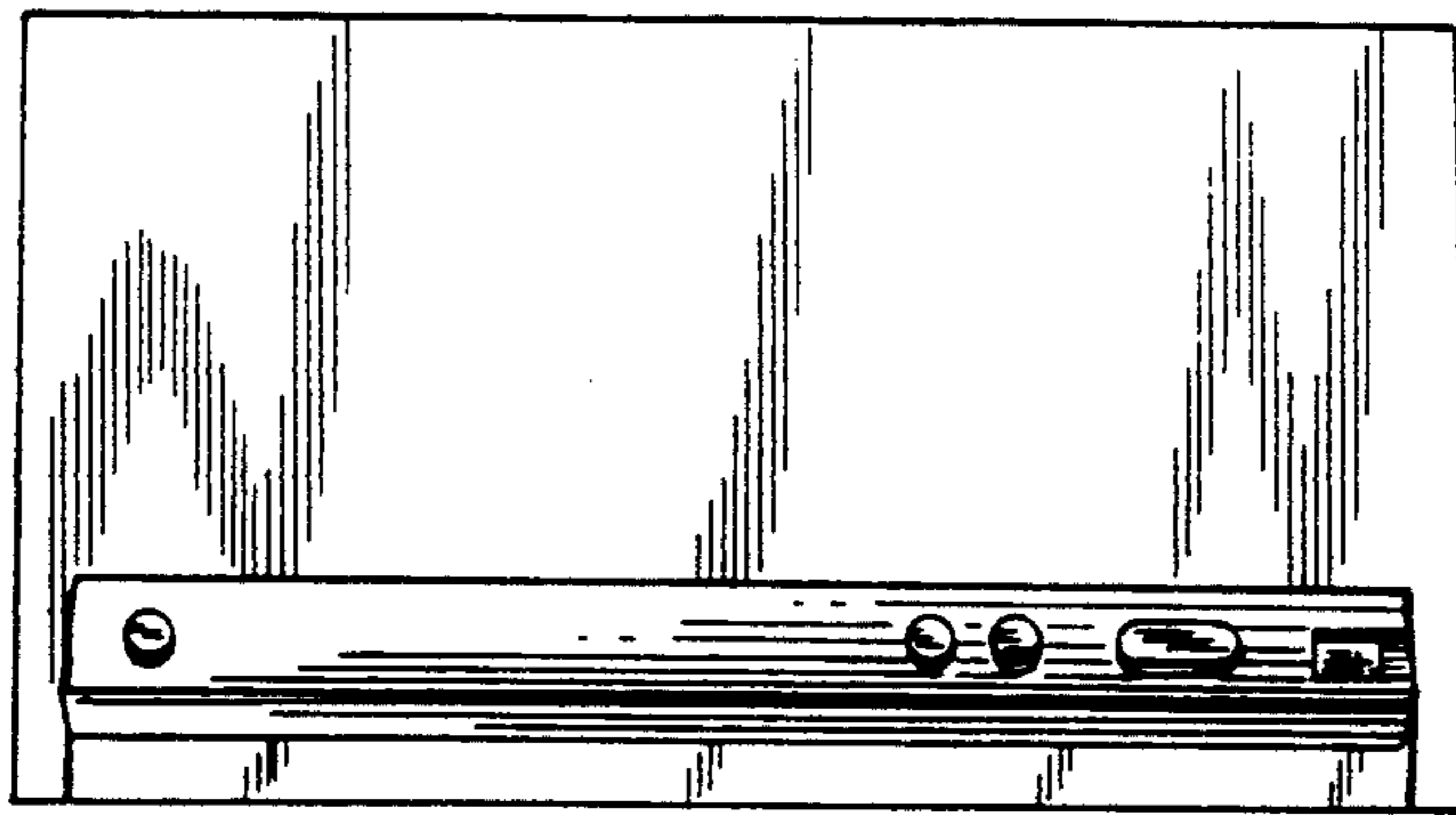


FIG. 5

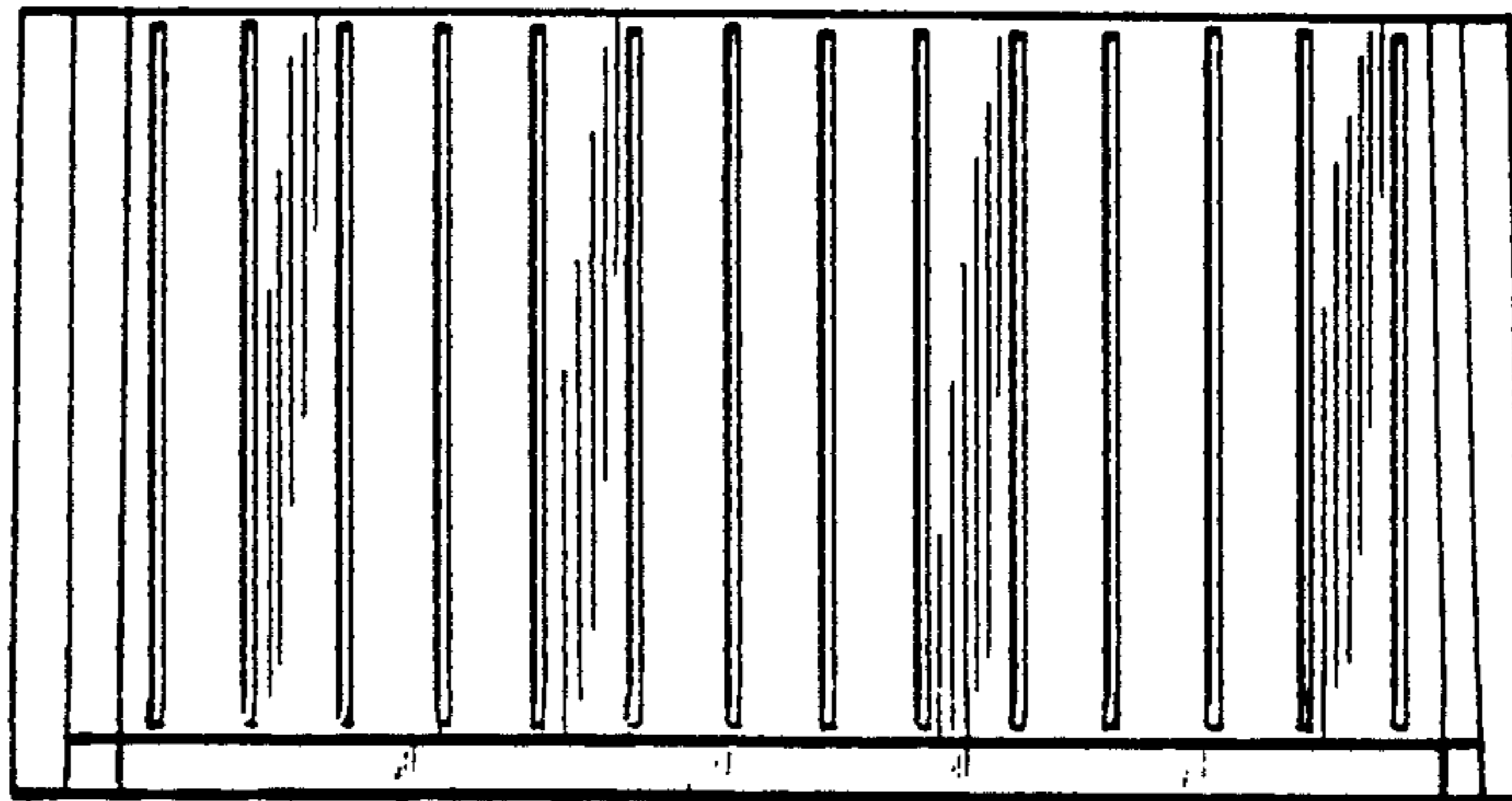


FIG. 6

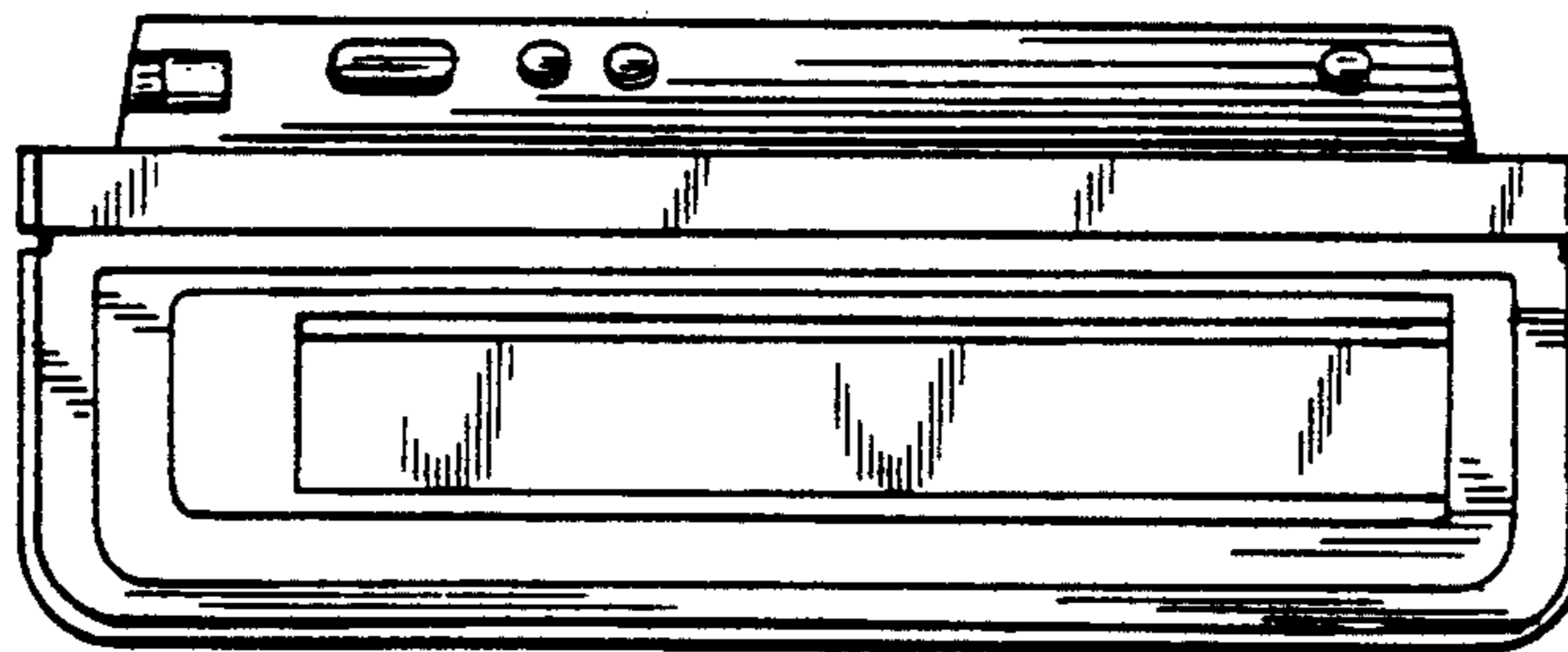


FIG. 7

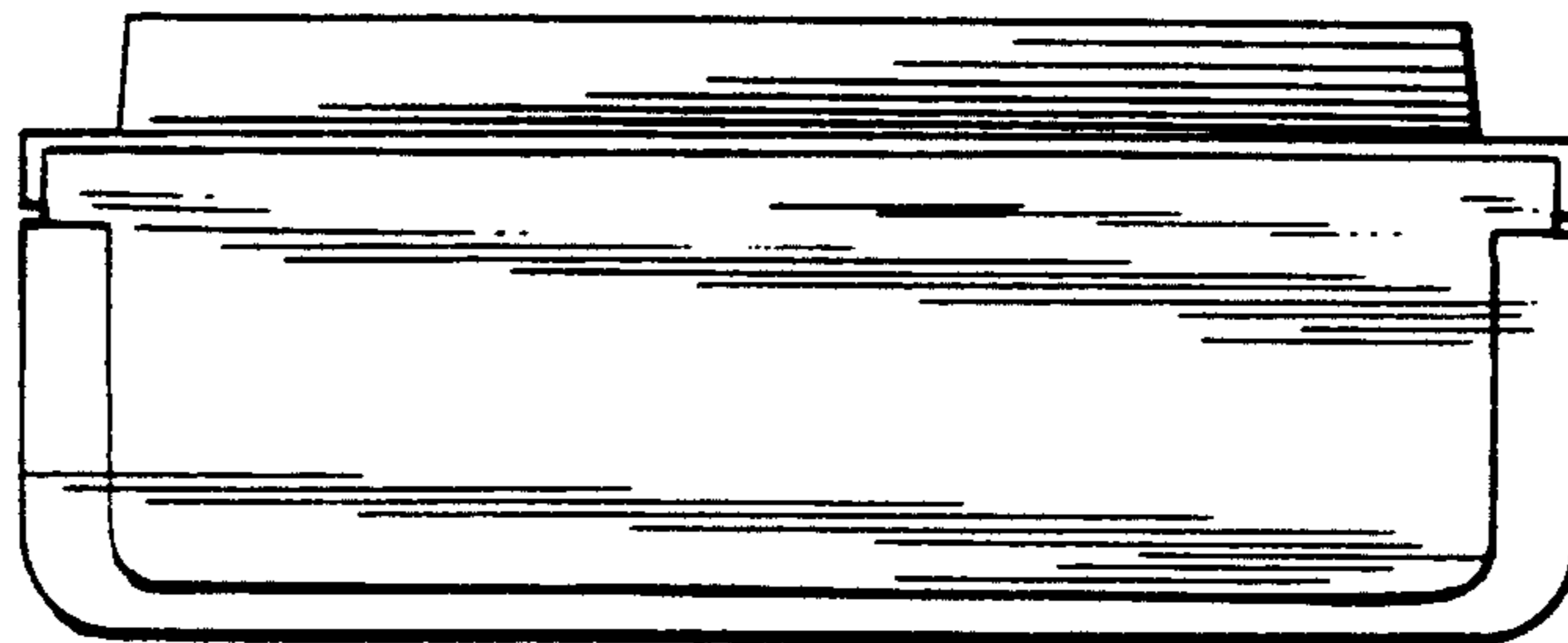


FIG. 8

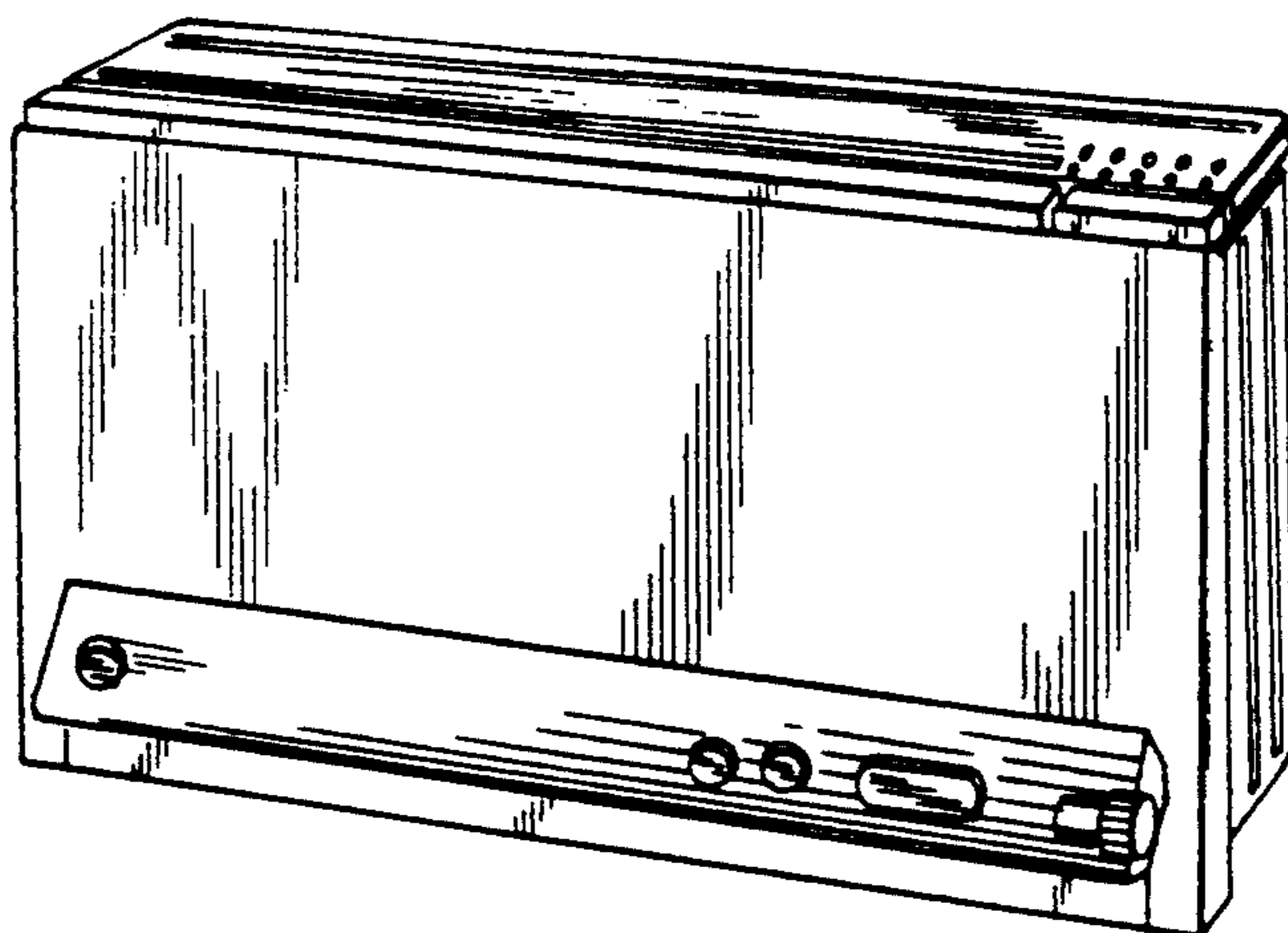


FIG. 9

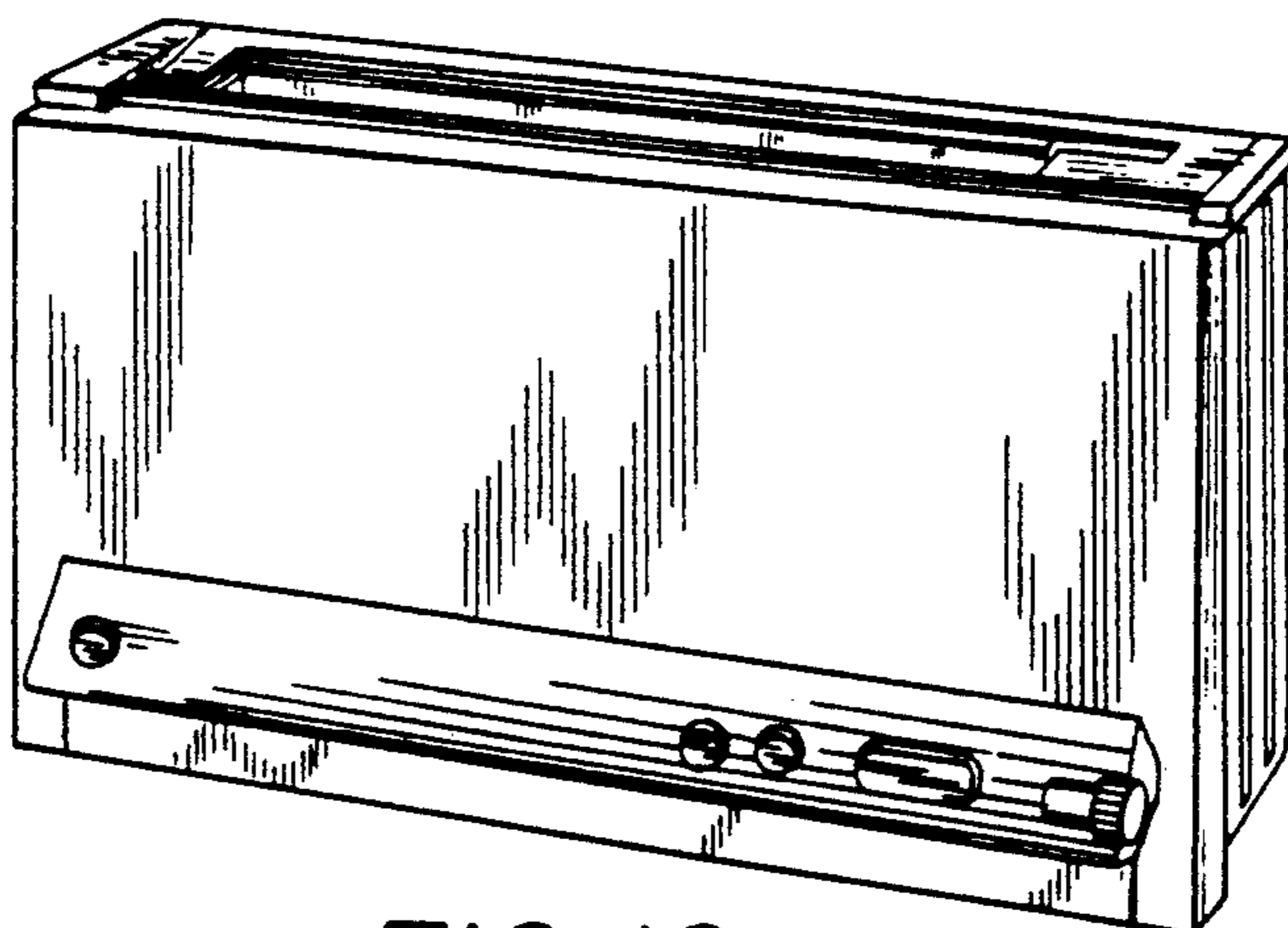


FIG. 10

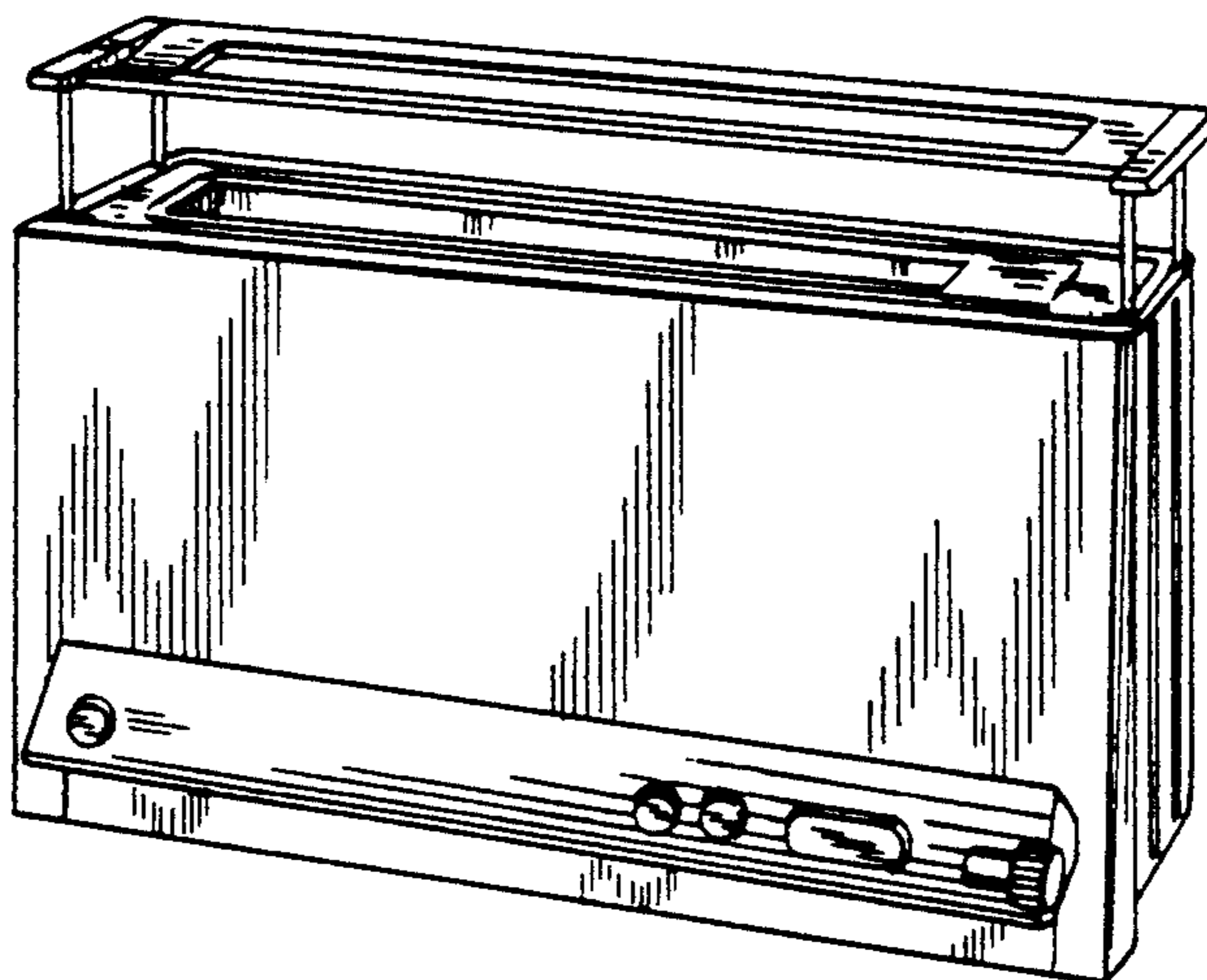


FIG. 11