



US00D342861S

United States Patent [19]

[11] Patent Number: **Des. 342,861**

Rasmussen

[45] Date of Patent: **** Jan. 4, 1994**

[54] **DEVICE FOR COOLING AND DISPENSING BEVERAGES**

[56]

References Cited

U.S. PATENT DOCUMENTS

[75] Inventor: **Jan N. Rasmussen**, Olstykke, Denmark

D. 316,796	5/1991	Kirschnez et al.	D7/311
3,237,810	3/1966	Gran	222/146.6
3,719,505	3/1973	Mazza	99/295 X
4,304,341	12/1981	Shirley	D7/307 X

[73] Assignee: **Carlsberg A/S**, Copenhagen, Denmark

Primary Examiner—Alan P. Douglas
Assistant Examiner—M. N. Pandozzi
Attorney, Agent, or Firm—Ladas & Parry

[**] Term: **14 Years**

[57] CLAIM

[21] Appl. No.: **502,451**

The ornamental design for a device for cooling and dispensing beverages, as shown and described.

[22] Filed: **Mar. 30, 1990**

DESCRIPTION

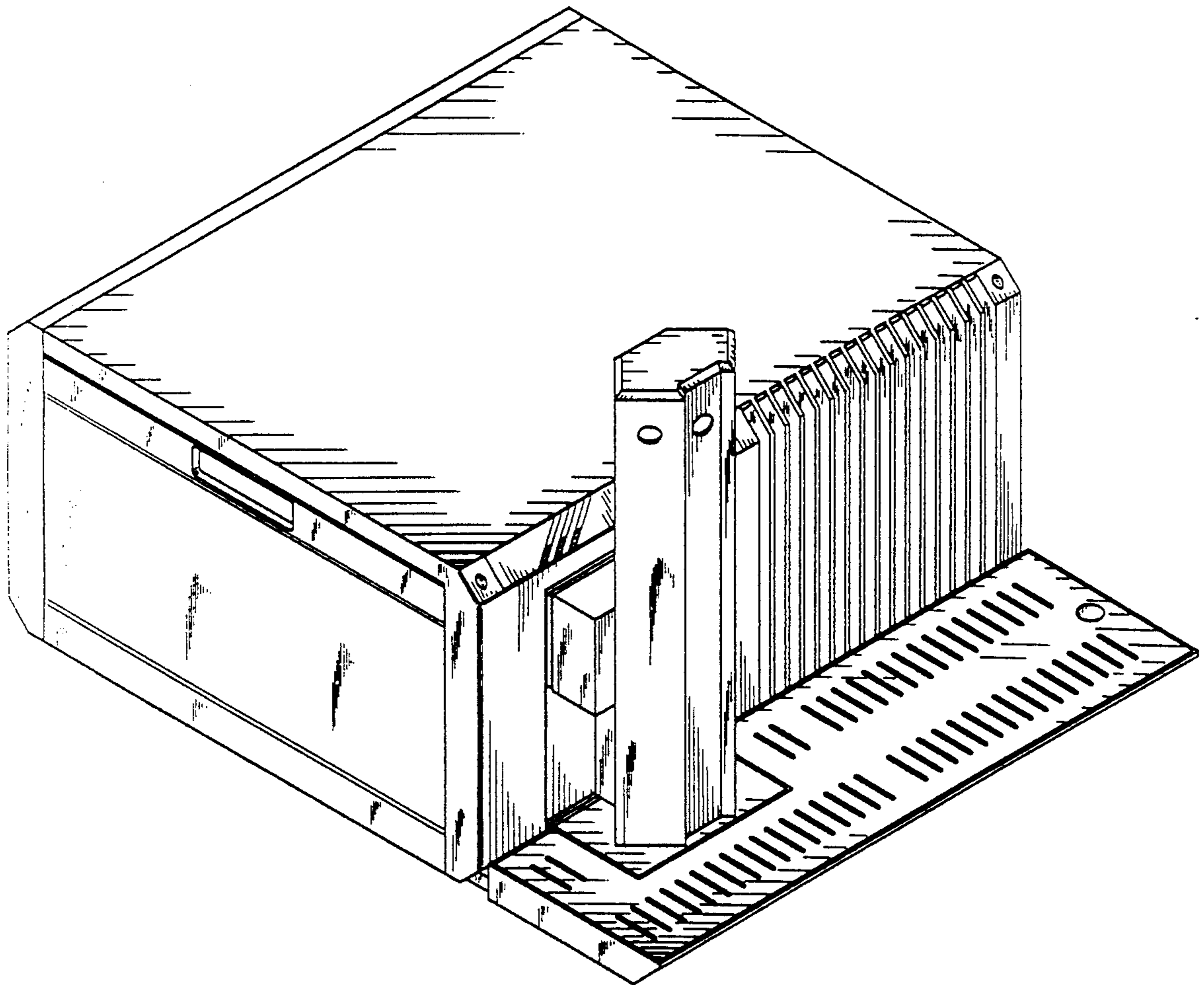
[30] Foreign Application Priority Data

Nov. 3, 1989 [DK] Denmark MA 1337 1989

[52] U.S. Cl. **D7/311; D7/310**

[58] Field of Search D7/305, 307, 315, 313, D7/312, 322, 300, 300.1, 308, 311; 222/146.6, 129.1, 129.2, 129.3, 129.4, 185; 99/295

FIG. 1 is a top perspective view of a device for cooling and dispensing beverages, showing my new design; FIG. 2 is a front elevational view thereof; FIG. 3 is a rear elevational view thereof; FIG. 4 is a right side view thereof; FIG. 5 is a left side view thereof; FIG. 6 is a top plan view thereof; and, FIG. 7 is a bottom plan view thereof.



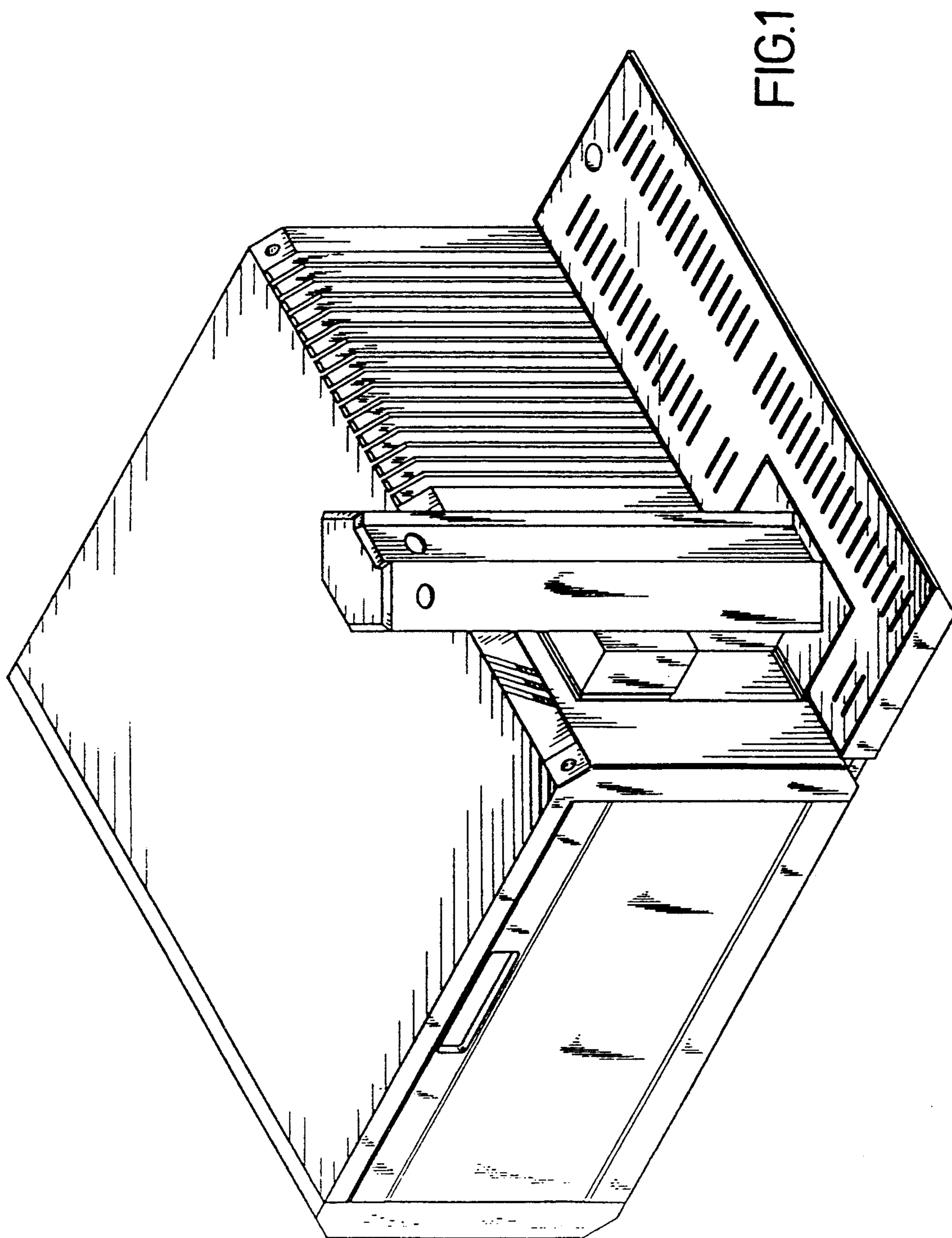
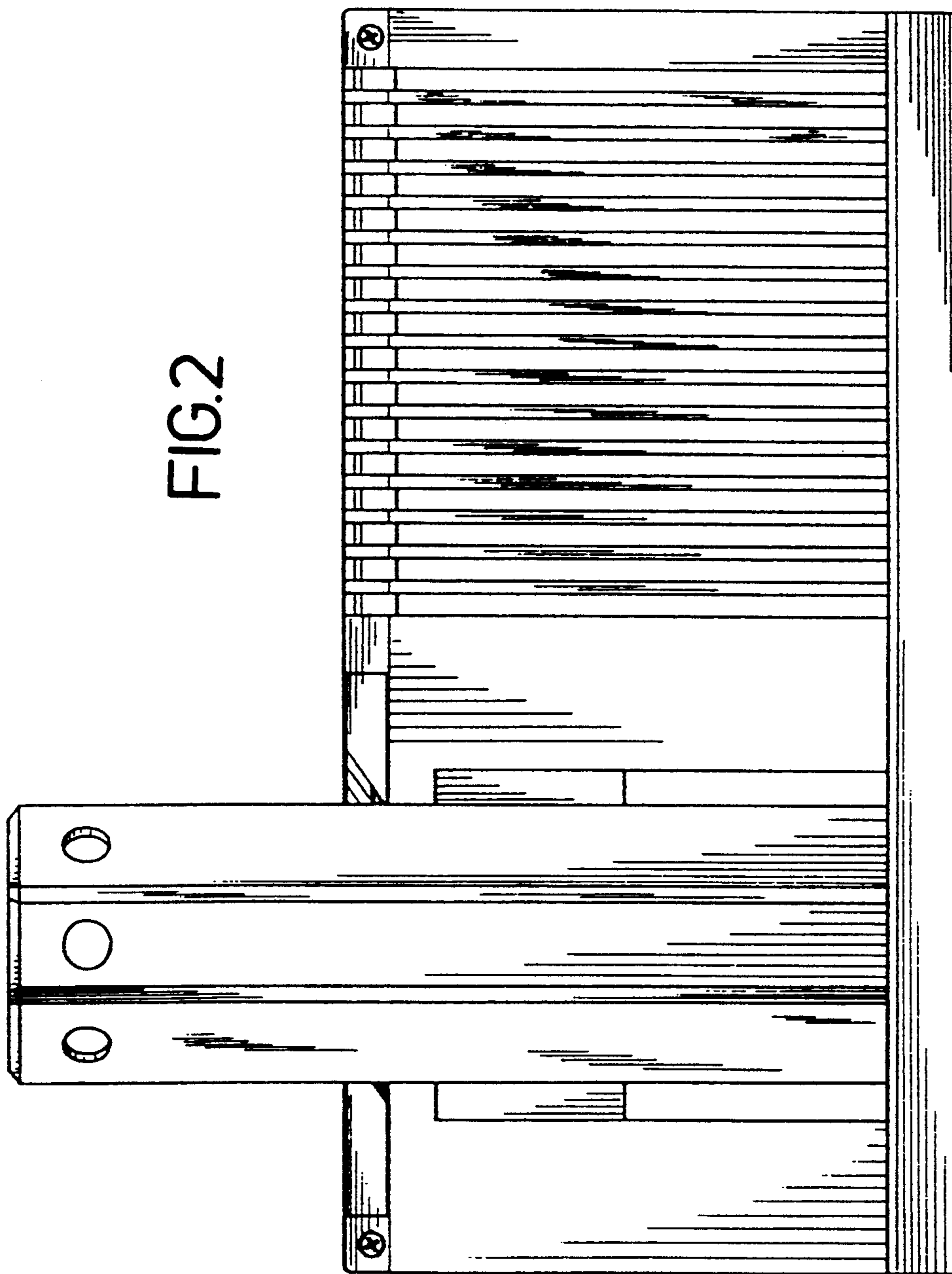


FIG.2



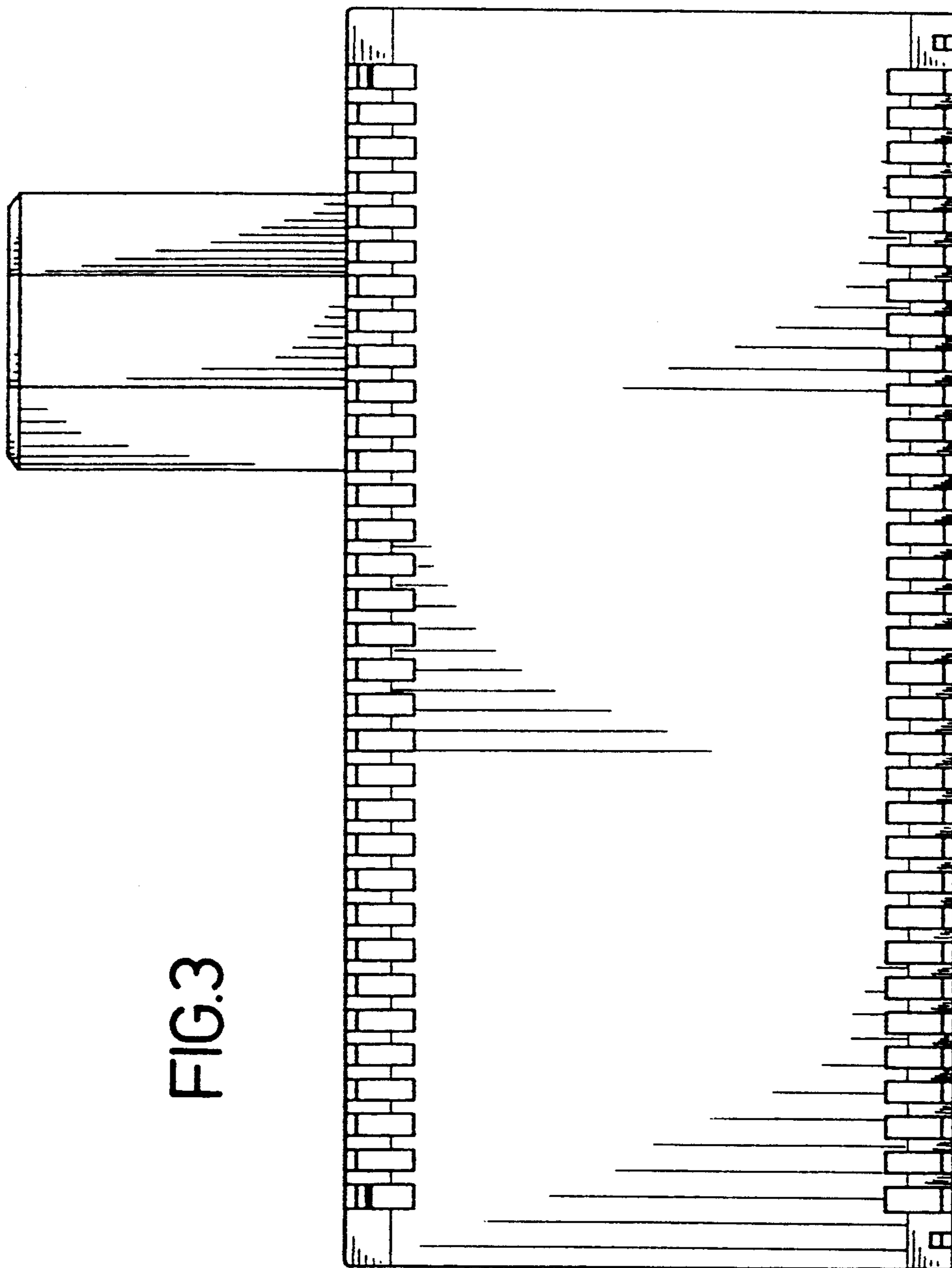
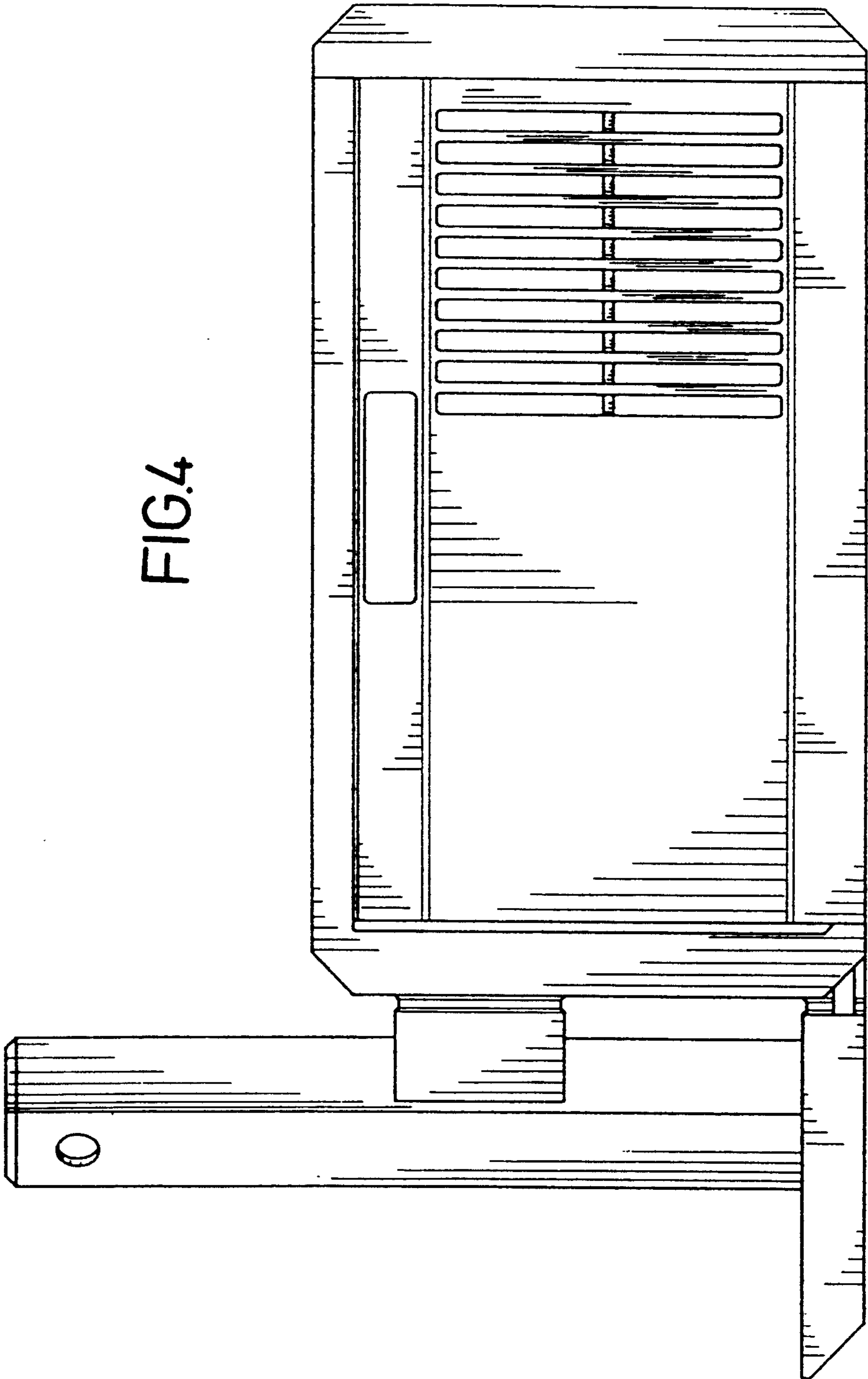


FIG.3

FIG. 4



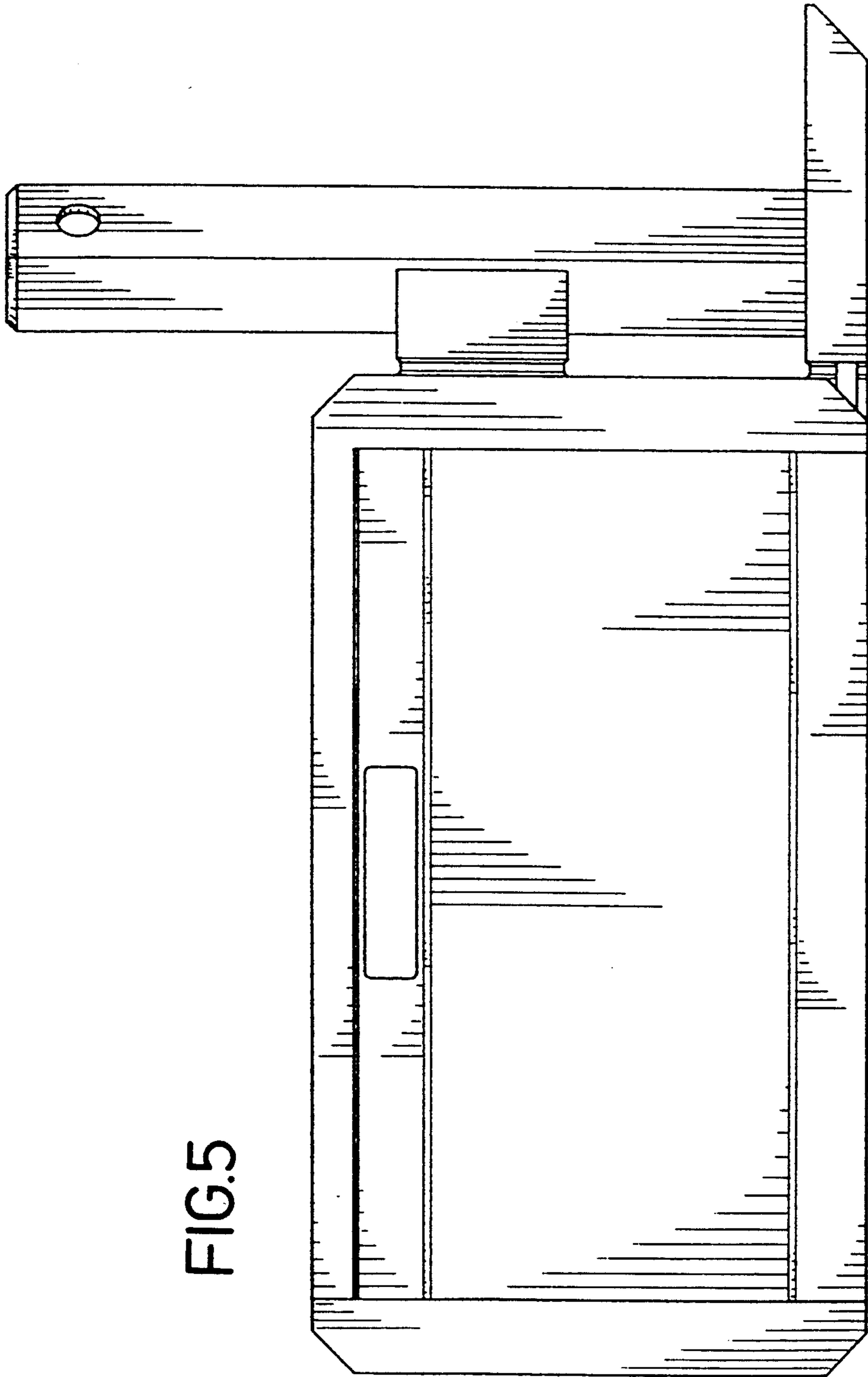


FIG. 5

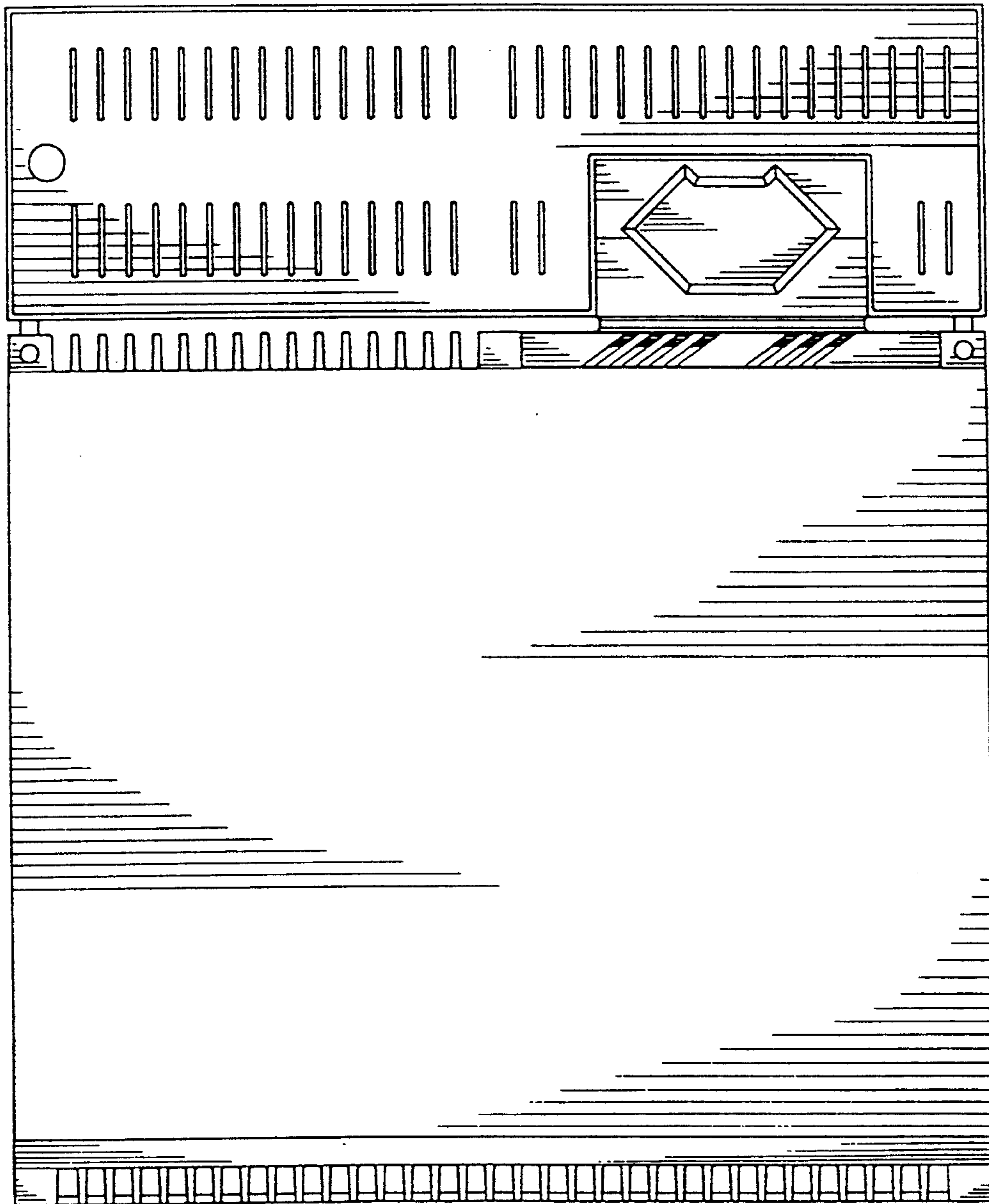


FIG.6

FIG.7

