



US00D342860S

United States Patent [19]

[11] Patent Number: **Des. 342,860**

Azpiri

[45] Date of Patent: **** Jan. 4, 1994**

[54] **COFFEE MAKER**

D. 300,104	3/1989	Cortese	D7/309
D. 323,949	2/1992	Kahlcke	D7/309
D. 324,795	3/1992	Hoover et al.	D7/311 X
4,951,556	8/1990	Ng	D7/309

[75] Inventor: **Maria P. A. Azpiri, Tromperri, Spain**

[73] Assignee: **Oficina de Investigacion Agrupada, SA, Eibar, Spain**

[**] Term: **14 Years**

Primary Examiner—Alan P. Douglas
Assistant Examiner—M. N. Pandozzi
Attorney, Agent, or Firm—Helfgott & Karas

[21] Appl. No.: **547,585**

[57] **CLAIM**

[22] Filed: **Jul. 2, 1990**

The ornamental design for a coffee maker, as shown.

[30] **Foreign Application Priority Data**

DESCRIPTION

Apr. 4, 1990 [ES] Spain 120910

[52] U.S. Cl. **D7/309; D7/311**

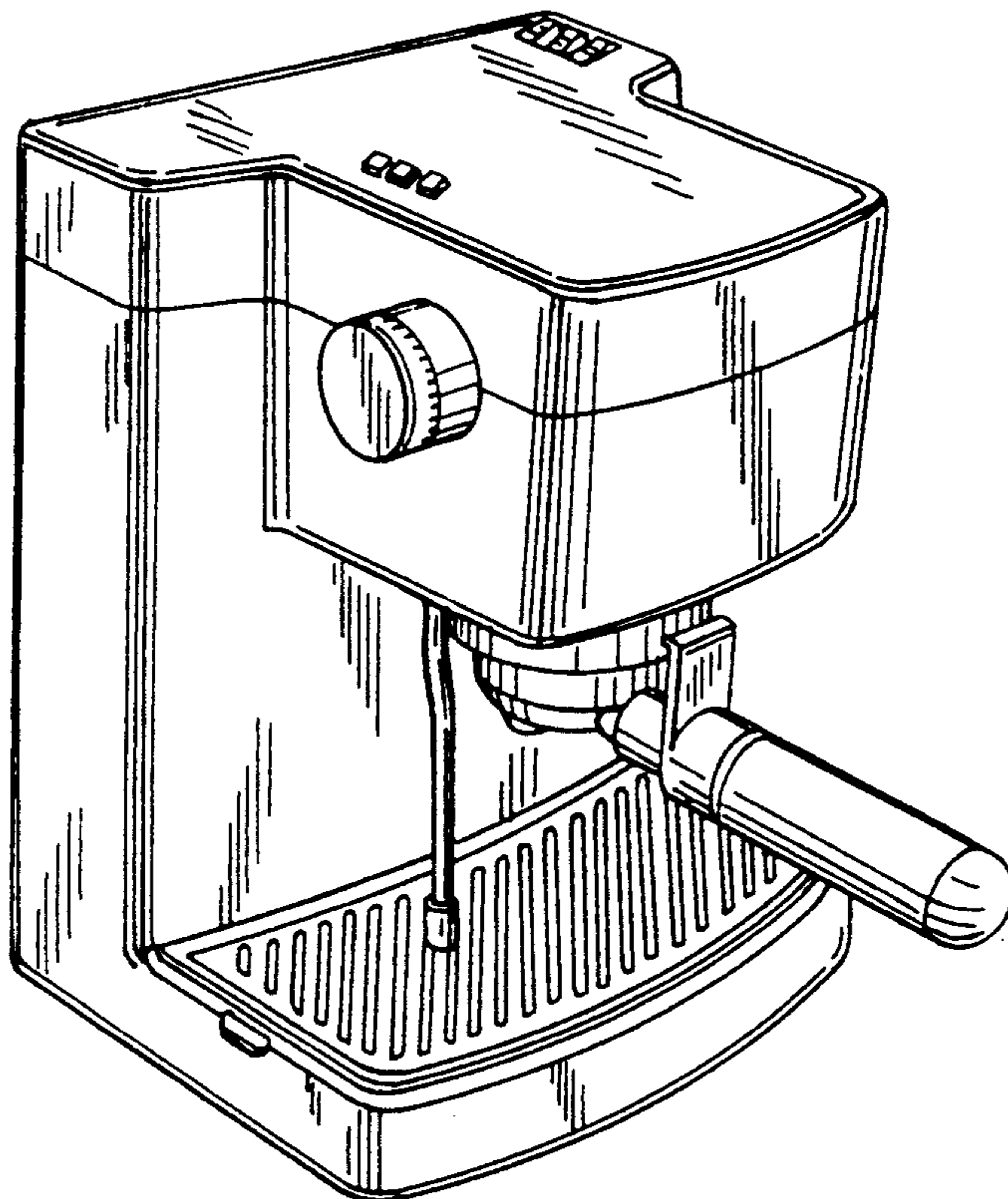
[58] Field of Search D7/300, 305, 306, 307,
D7/308, 309, 310, 311, 312, 313; 99/275, 279;
222/129.1, 129.4

FIG. 1 is a top, front, left side perspective view of a coffee maker showing my new design;
 FIG. 2 is a top, front, right side perspective view thereof;
 FIG. 3 is a rear perspective view thereof;
 FIG. 4 is a left side view thereof;
 FIG. 5 is a front view thereof;
 FIG. 6 is a right side view thereof;
 FIG. 7 is a back side view thereof;
 FIG. 8 is a bottom view thereof; and,
 FIG. 9 is a top view thereof.

[56] **References Cited**

U.S. PATENT DOCUMENTS

D. 287,690	1/1987	Steinkamp	D7/309
D. 298,402	11/1988	Seiffert	D7/311



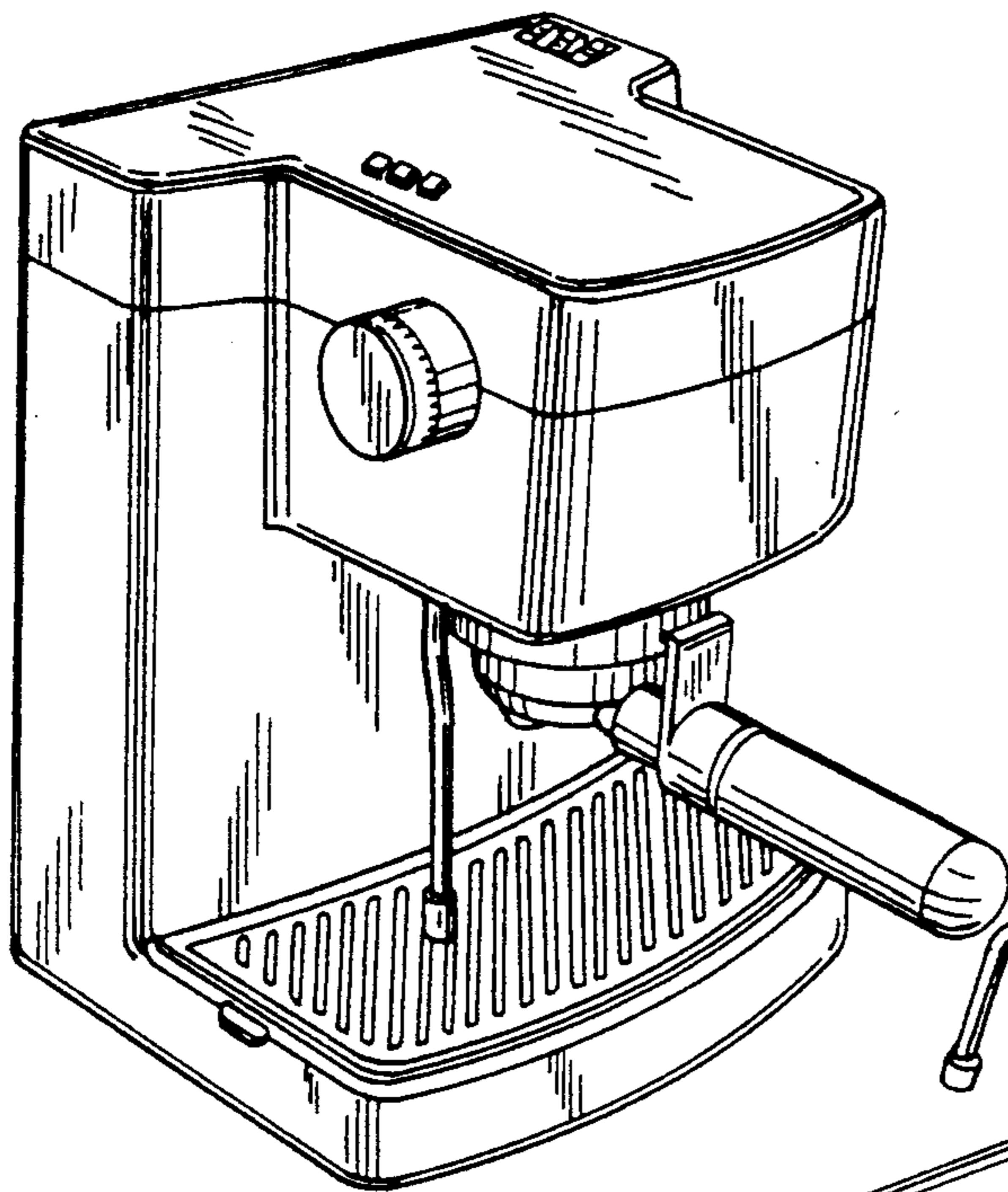


FIG. 1

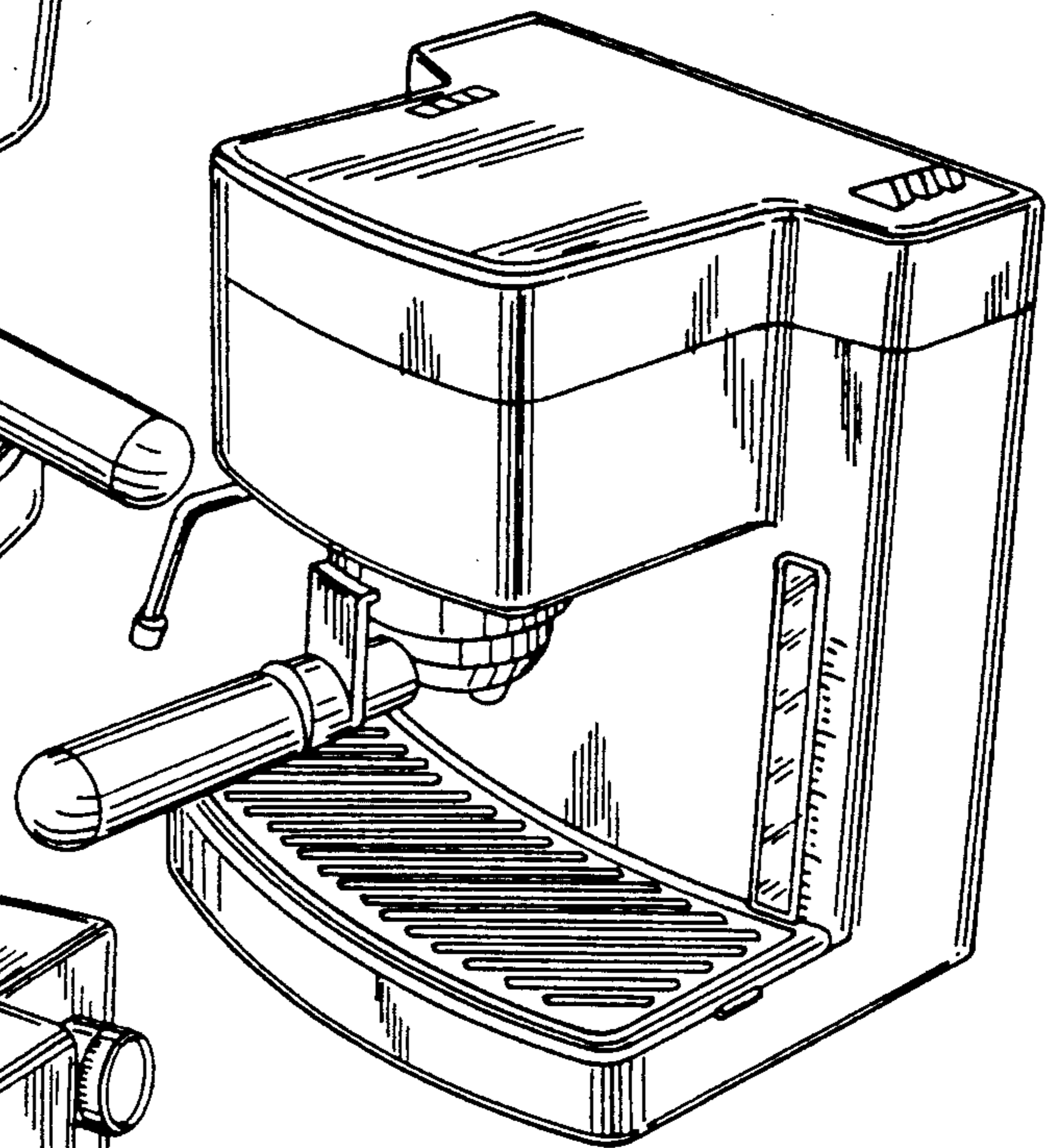


FIG. 2

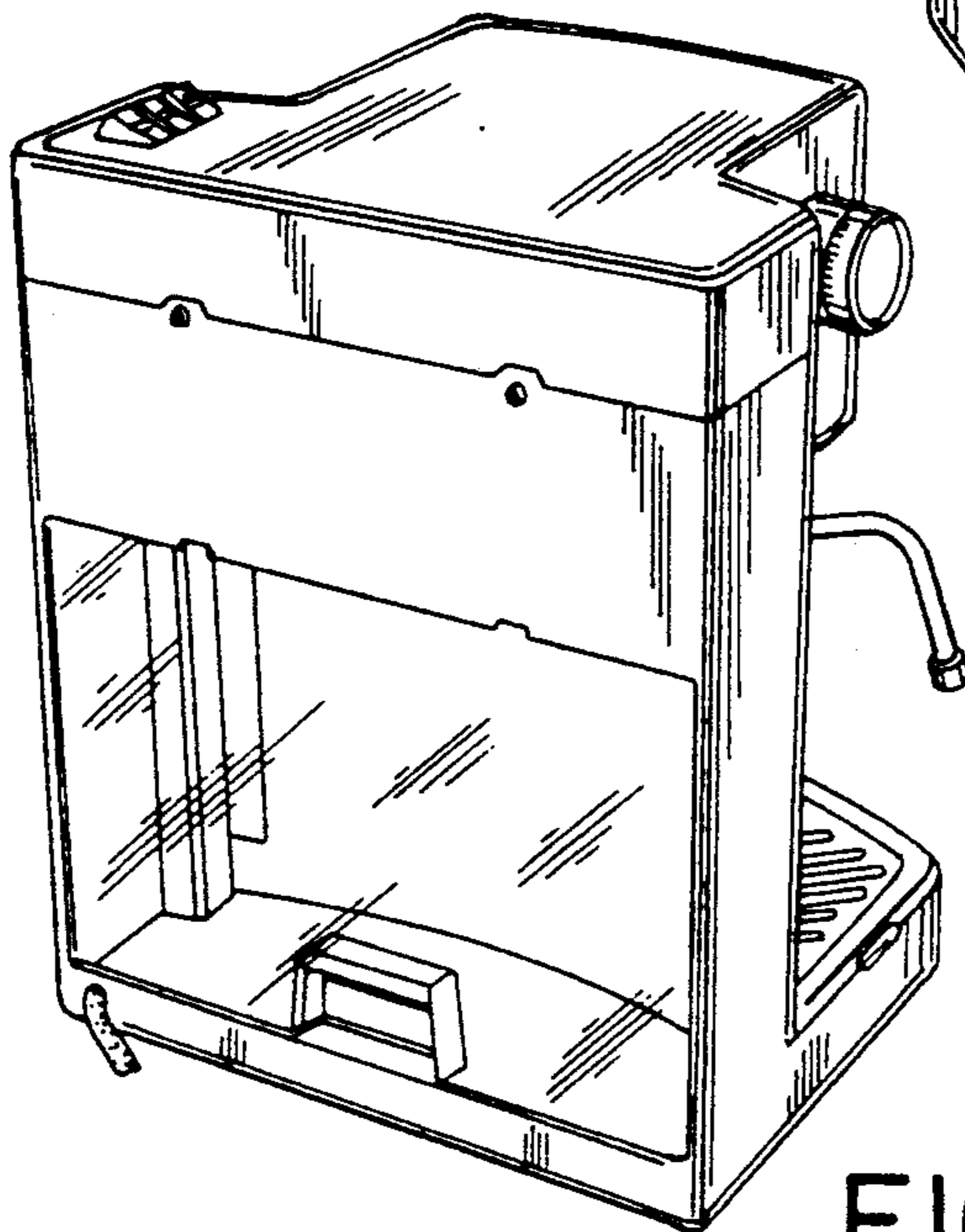
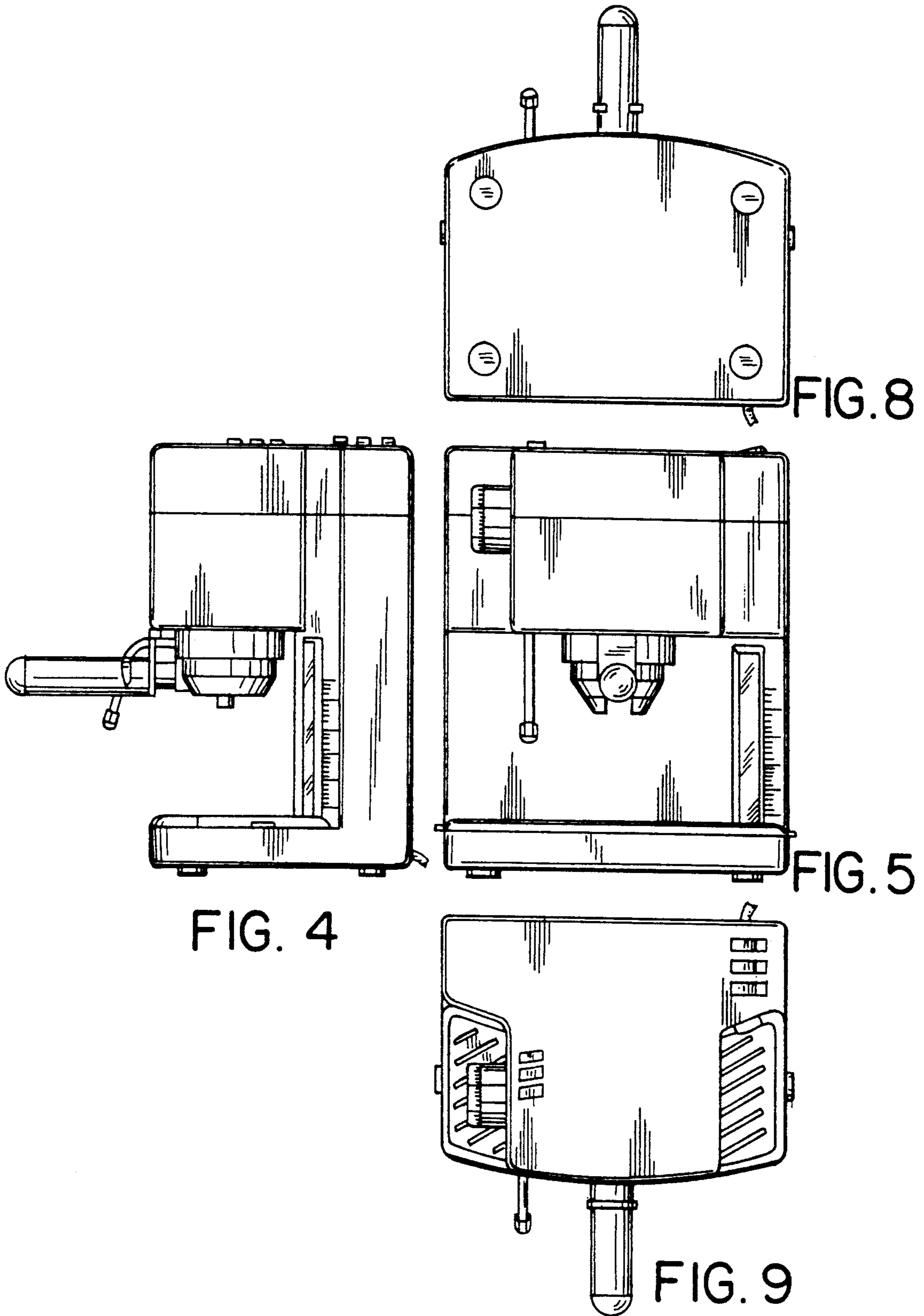


FIG. 3



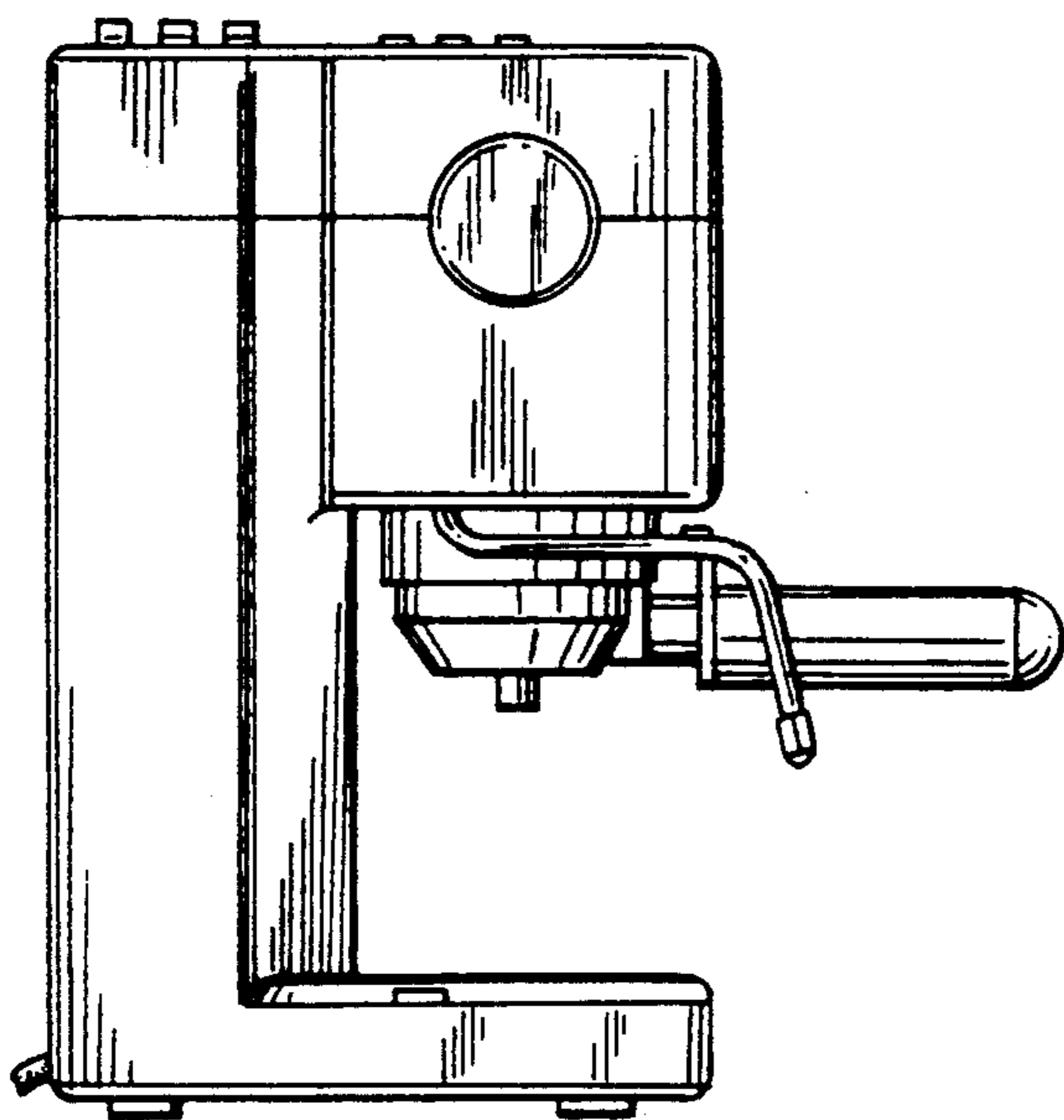


FIG. 6

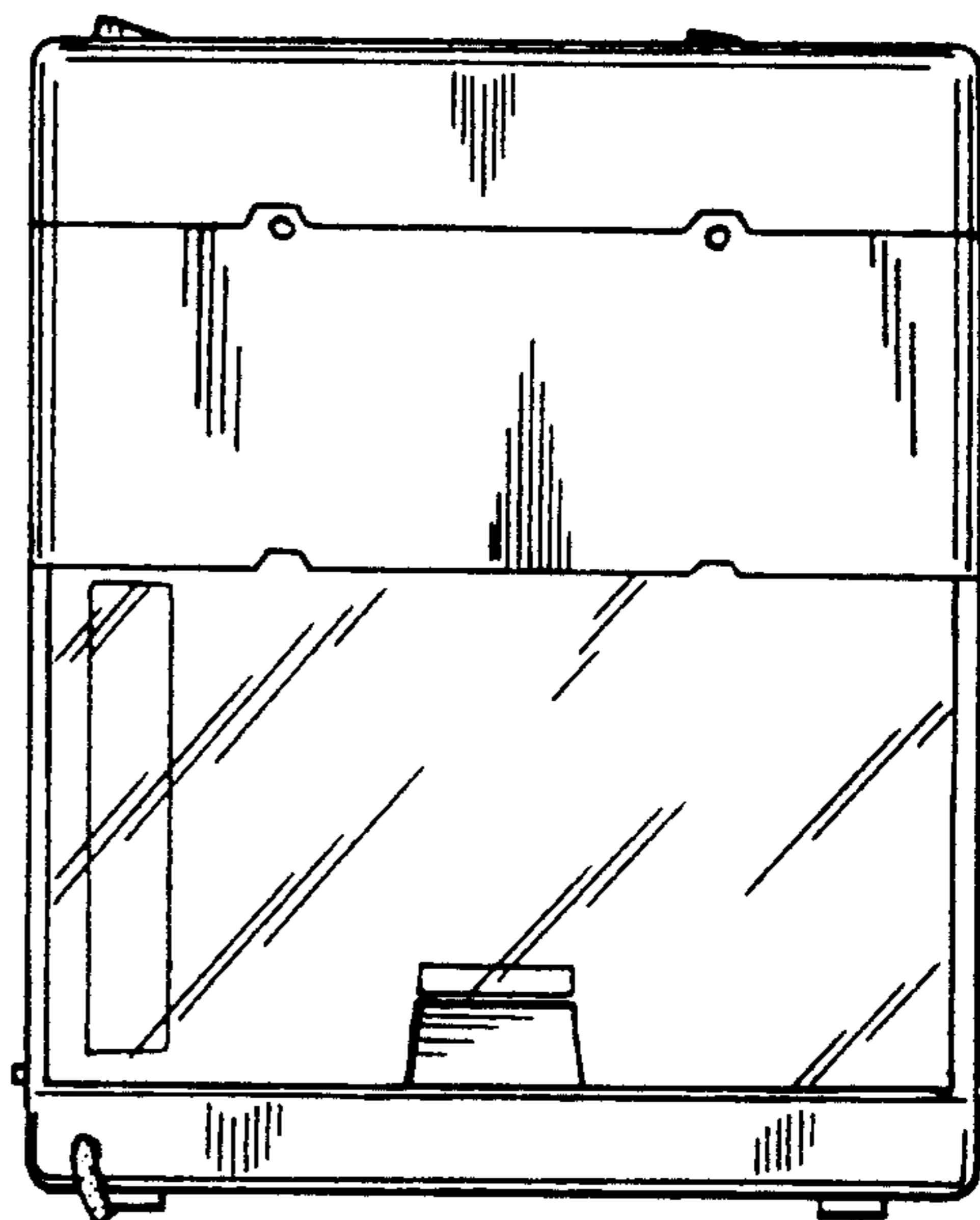


FIG. 7