



US00D342845S

# United States Patent [19]

Rudd et al.

[11] Patent Number: **Des. 342,845**

[45] Date of Patent: **\*\* Jan. 4, 1994**

[54] **LIGHTED FLAG HOLDER**

[75] Inventors: **Tom Rudd, Hudson, Wis.; Alwin J. Stahel, St. Paul, Minn.**

[73] Assignee: **KuryAkyn Holdings, Inc., Somerset, Wis.**

[\*\*] Term: **14 Years**

[21] Appl. No.: **713,521**

[22] Filed: **Jun. 12, 1991**

[52] U.S. Cl. .... **D6/470; D6/559; D11/181**

[58] Field of Search ..... **D6/470, 559; 312/34.1, 312/114; D11/181; D10/111**

[56] **References Cited**

### U.S. PATENT DOCUMENTS

D. 140,626 3/1945 Olay ..... D11/181 X

D. 267,686 1/1983 Dawson ..... D11/184 X  
D. 315,323 3/1991 Bailey ..... D11/181 X  
1,169,427 1/1916 Reukauf ..... 312/114

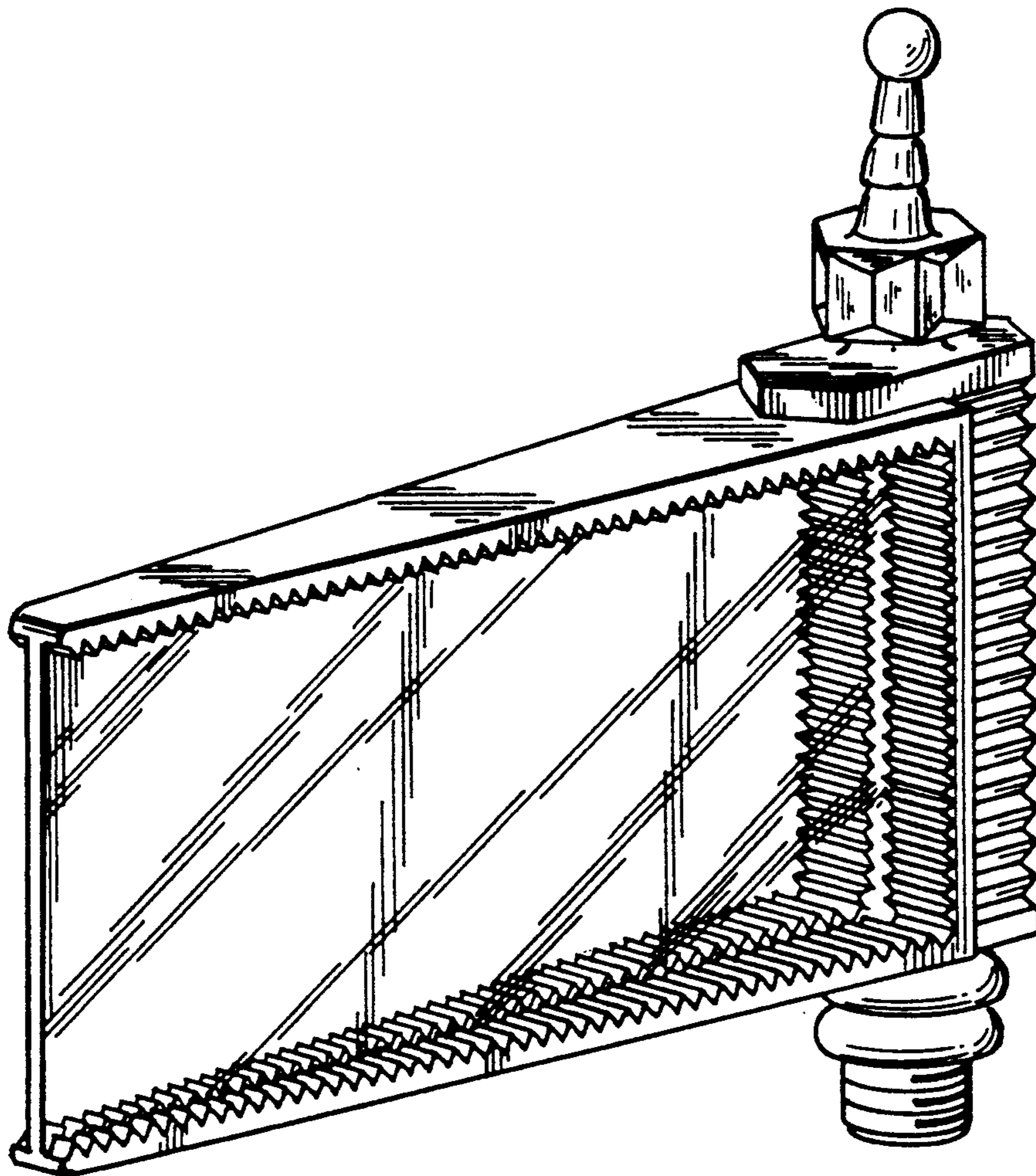
*Primary Examiner*—Bernard Ansher  
*Assistant Examiner*—Dominic Simone  
*Attorney, Agent, or Firm*—Glen E. Schumann

### [57] CLAIM

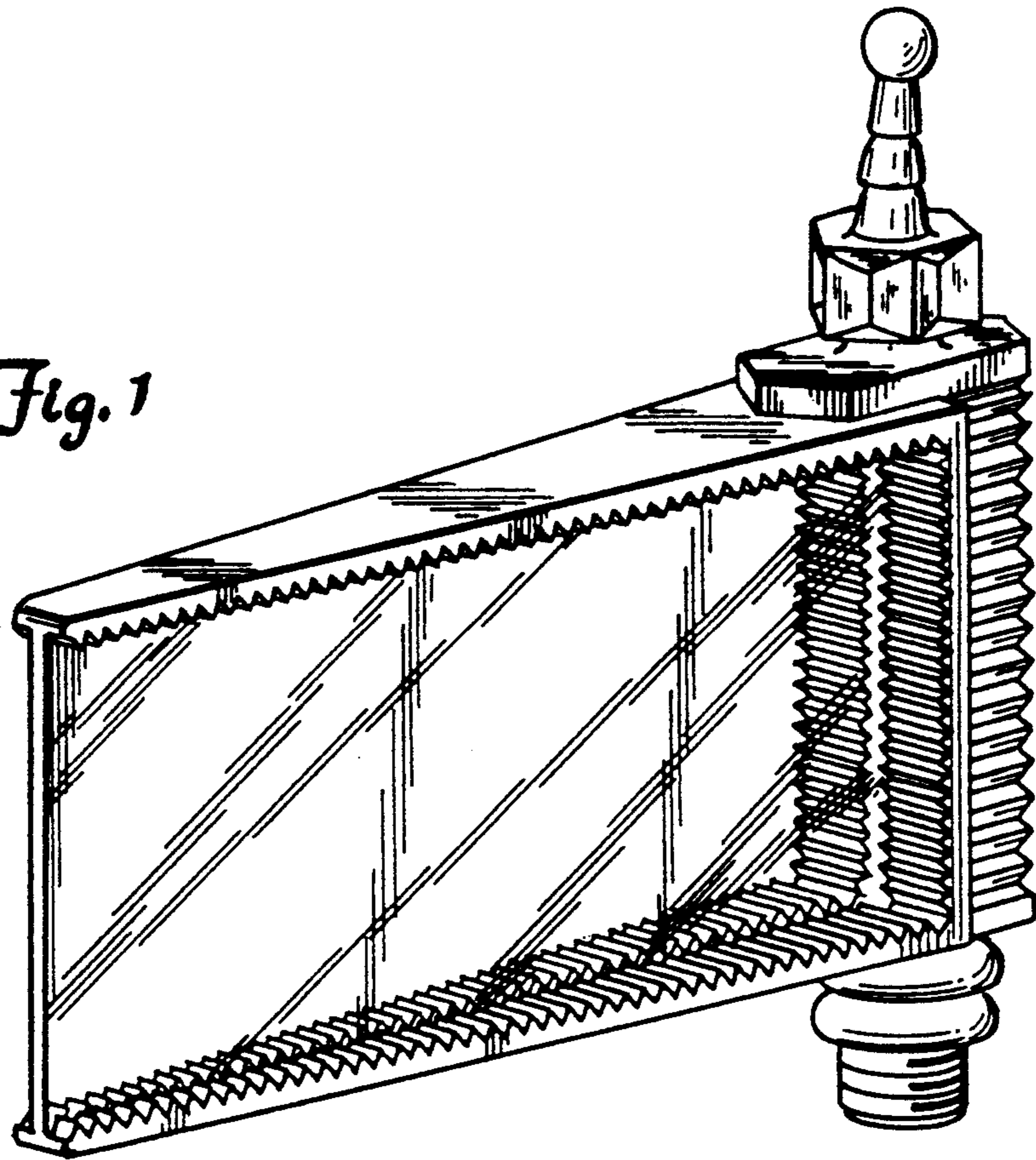
A new and ornamental design for a lighted flag holder, as shown and described.

### DESCRIPTION

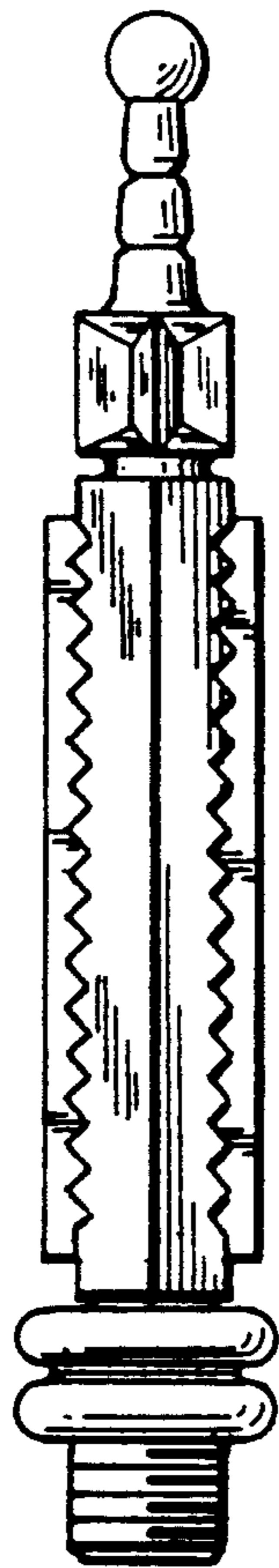
FIG. 1 is a front perspective view of a lighted flag holder showing my new design; FIG. 2 is a rear elevational view thereof; FIG. 3 is a top plan view thereof; FIG. 4 is a bottom plan view thereof; FIG. 5 is a right side elevational view thereof; and, FIG. 6 is a left side elevational view thereof.



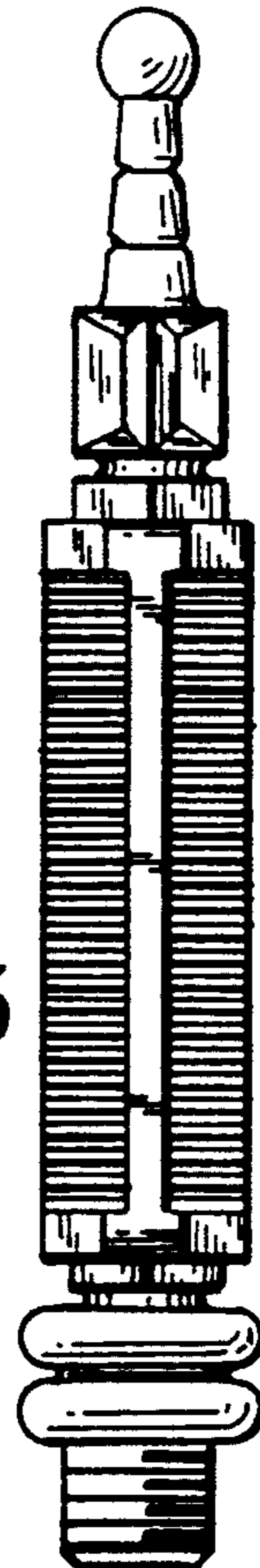
*Fig. 1*

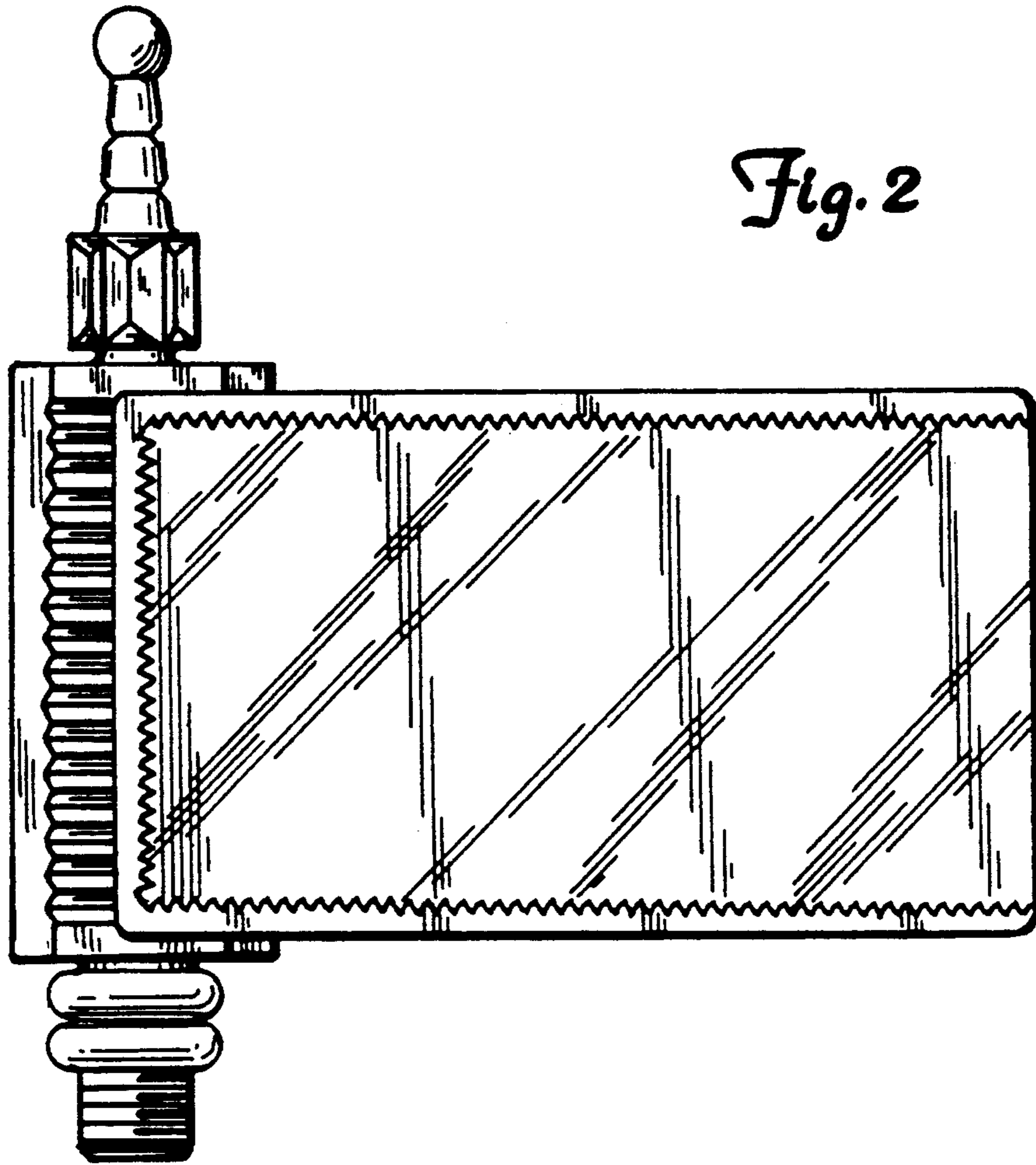


*Fig. 5*

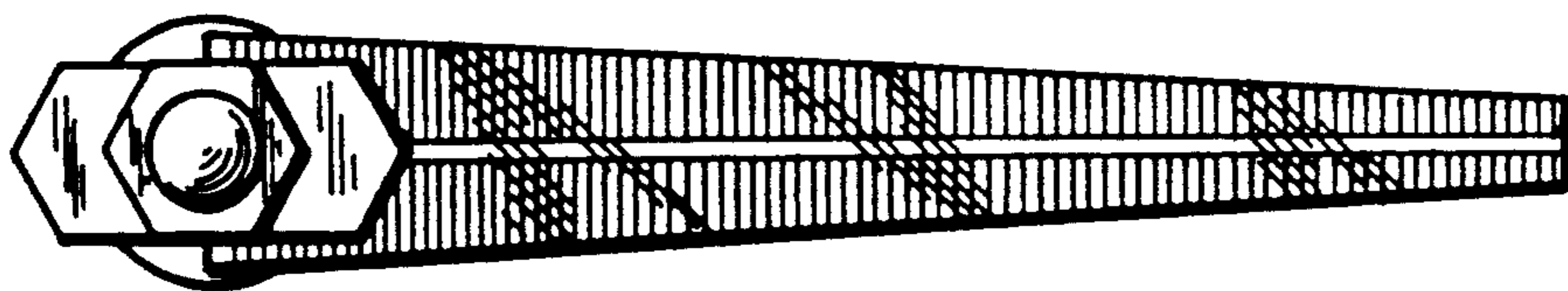


*Fig. 6*

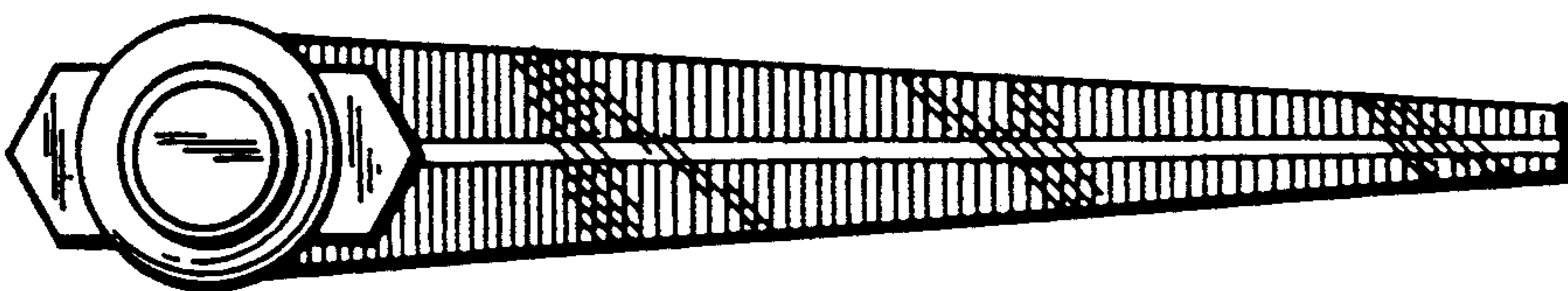




*Fig. 2*



*Fig. 3*



*Fig. 4*