



US00D342841S

United States Patent [19]

Campanello

[11] Patent Number: **Des. 342,841**

[45] Date of Patent: **** Jan. 4, 1994**

[54] **FOLDING PORTABLE HAMMOCK**

[76] Inventor: **Jeffrey M. Campanello**, 127 Prospect St., Bldg. 3, Apt. 32, Auburn, N.Y. 10324

[**] Term: **14 Years**

[21] Appl. No.: **881,374**

[22] Filed: **May 11, 1992**

[52] U.S. Cl. **D6/387**

[58] Field of Search **D6/382, 383, 385-;**
5/120, 122, 127

[56] **References Cited**

U.S. PATENT DOCUMENTS

1,917,518	7/1933	Goudie	5/120
2,569,596	10/1951	Anderegg	5/127
3,321,780	5/1967	Morris	D6/387 X
4,691,394	9/1987	Woo	5/120
5,113,537	5/1992	Turk	5/127 X

FOREIGN PATENT DOCUMENTS

697011	11/1972	Italy	5/120
--------	---------	-------	-------

Primary Examiner—Nelson C. Holtje

Assistant Examiner—J. E. Seeger

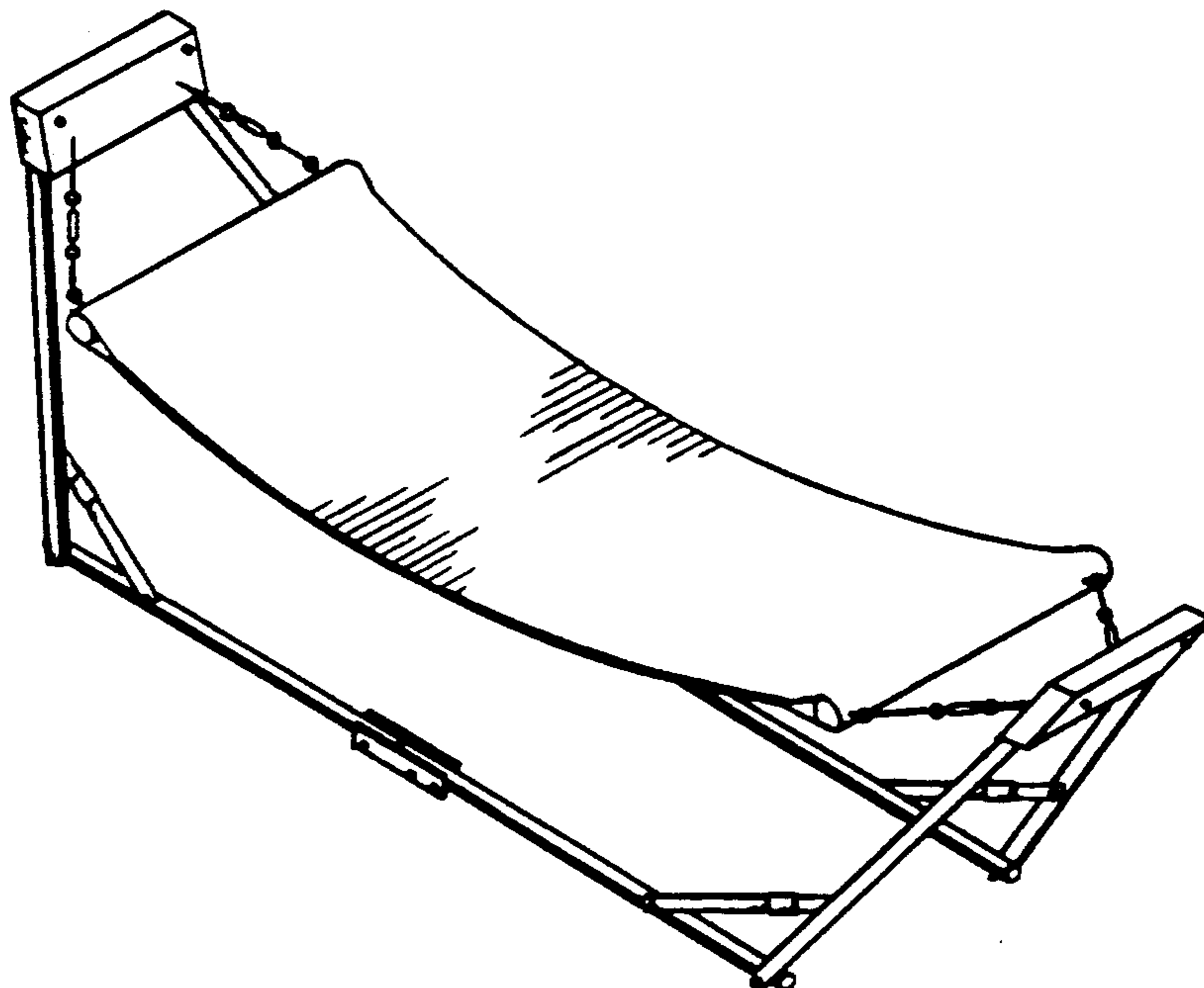
Attorney, Agent, or Firm—Marvin J. Marnock

[57] **CLAIM**

The ornamental design for folding portable hammock, as shown and described.

DESCRIPTION

FIG. 1 is a perspective view of a folding portable hammock showing my new design;
 FIG. 2 is an end view of the folding portable hammock of FIG. 1;
 FIG. 3 is a side view of the folding portable hammock of FIG. 1;
 FIG. 4 is a top plan view of the folding portable hammock of FIG. 1;
 FIG. 5 is a bottom plan view of the folding portable hammock of FIG. 1;
 FIG. 6 is an enlarged top plan view of the folding portable hammock of FIG. 1 showing the support frame of the hammock in partially folded condition with the hammock bed removed for convenience of illustration; and,
 FIG. 7 is an enlarged top plan view of the folding portable hammock of FIG. 1 showing the support frame of the hammock in fully folded condition with the hammock bed removed for convenience of illustration.



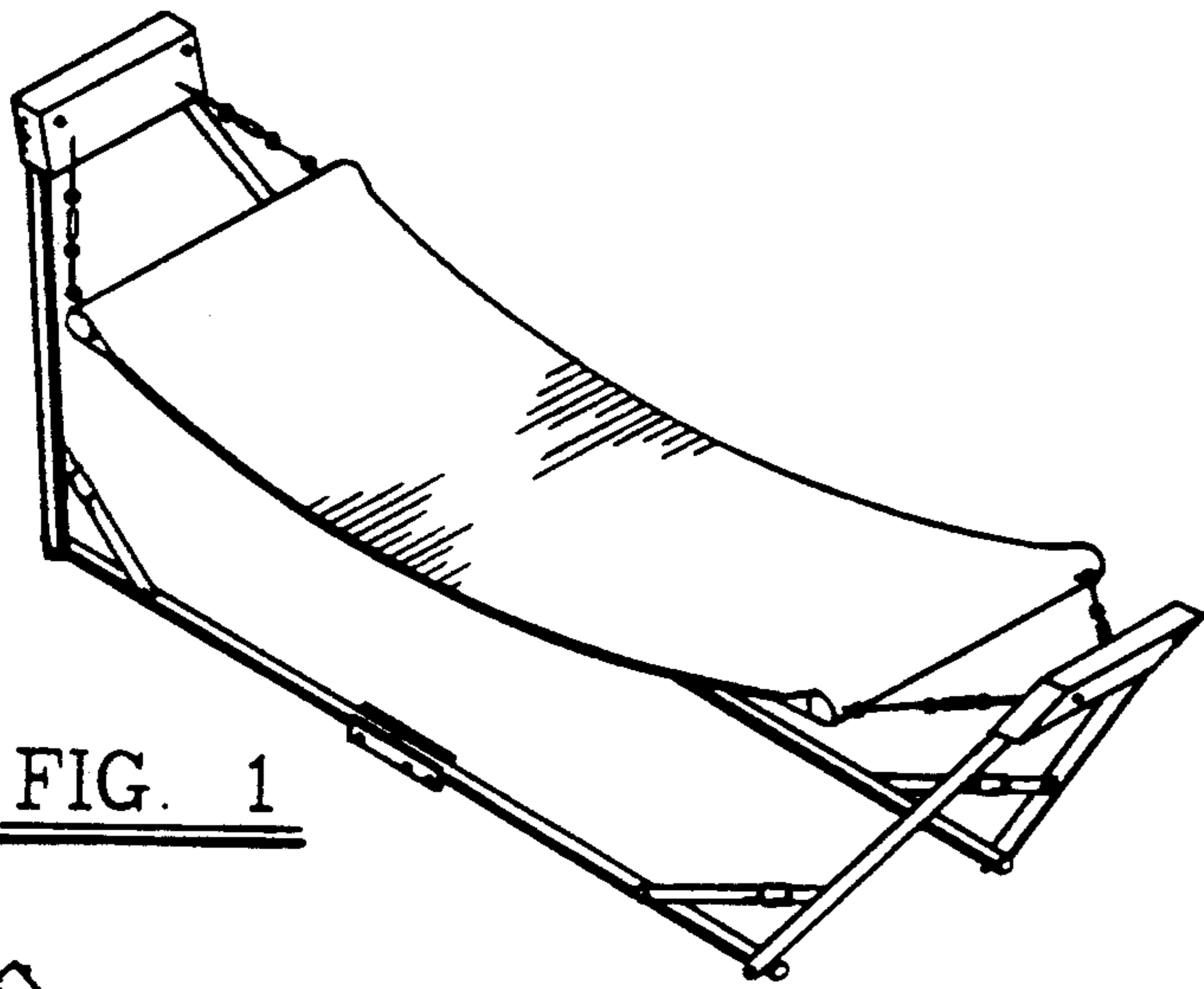


FIG. 1

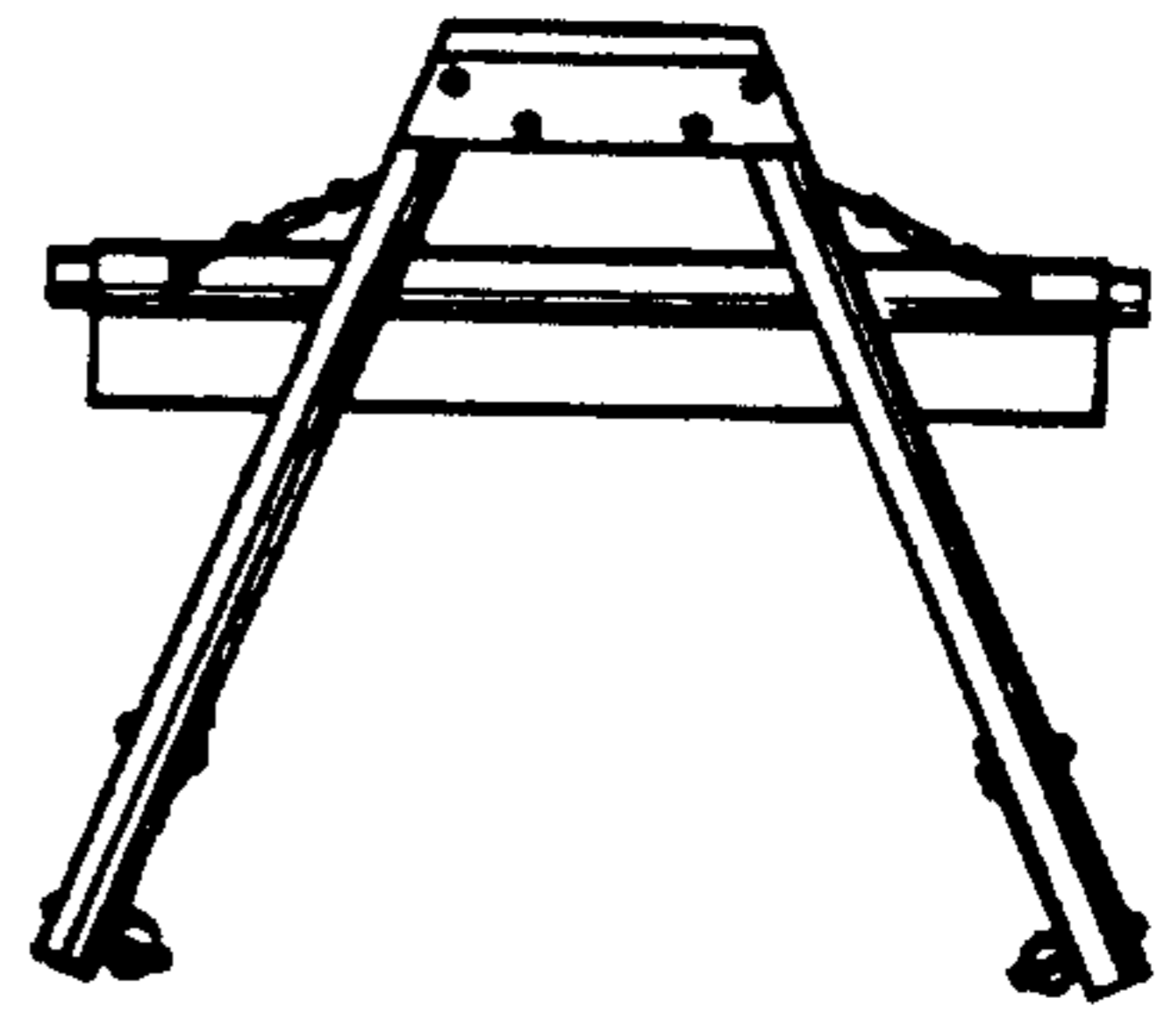


FIG. 2

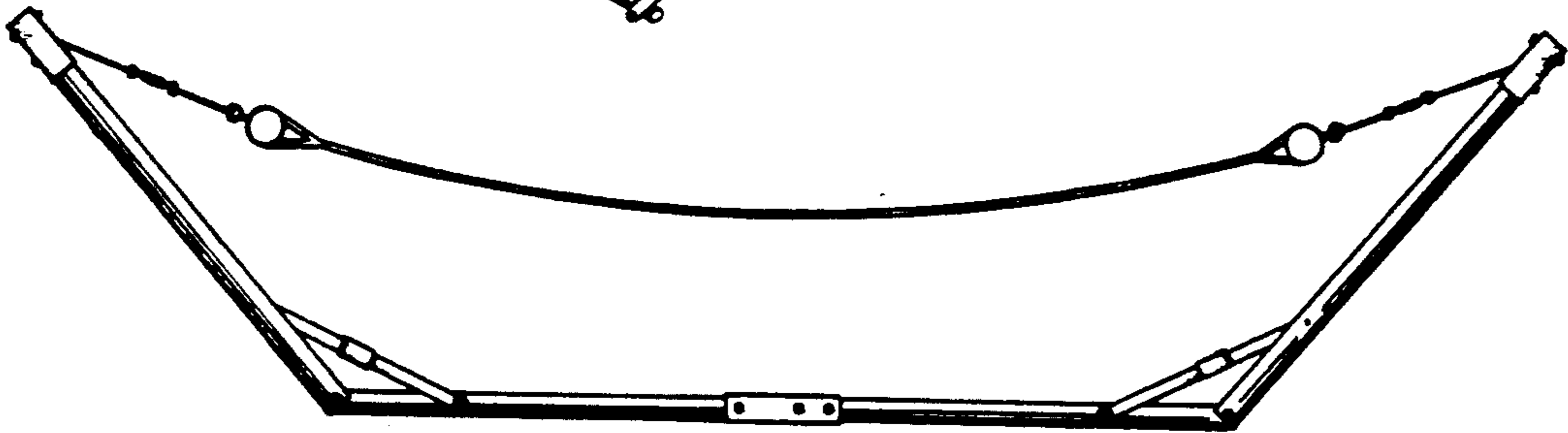


FIG. 3

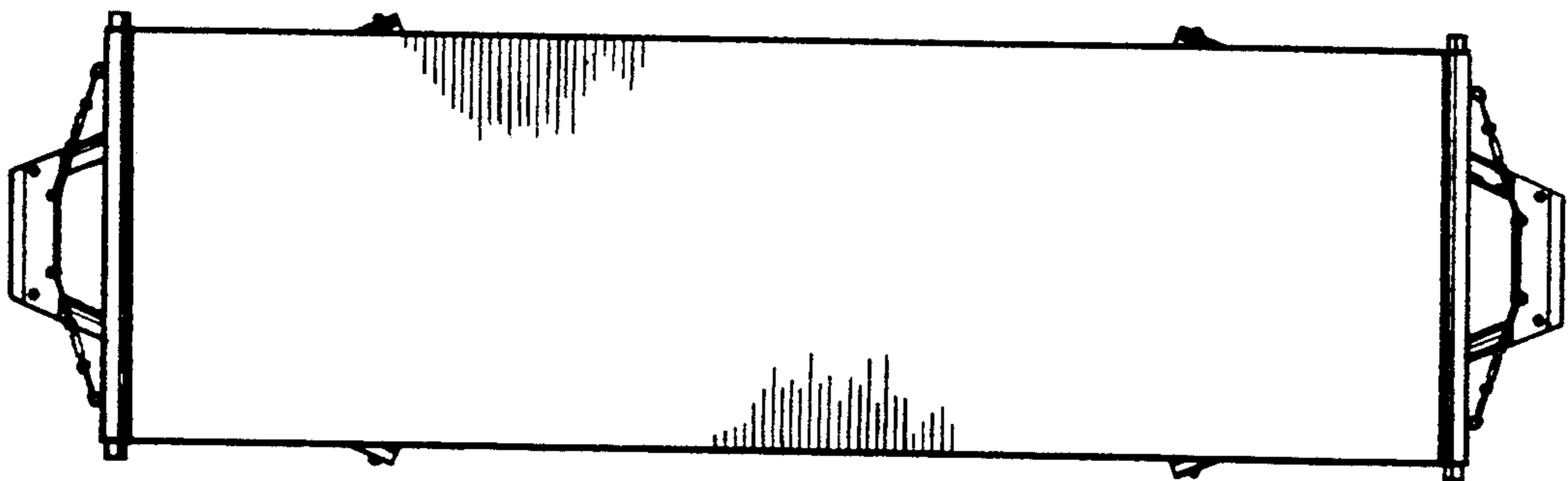


FIG. 4

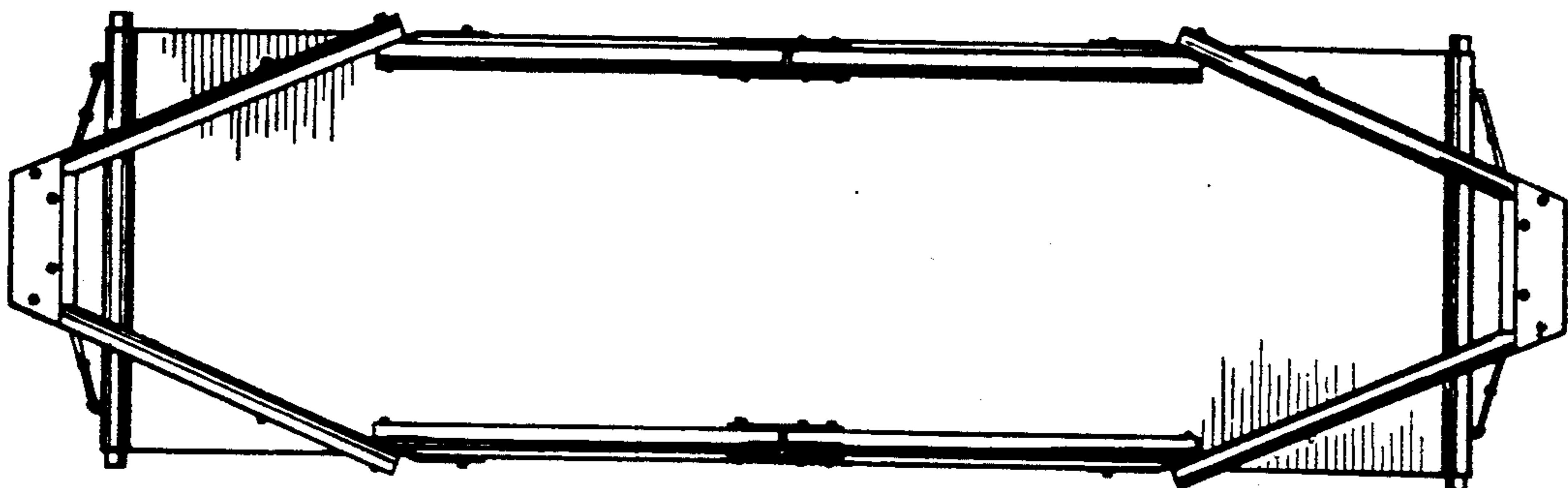


FIG. 5

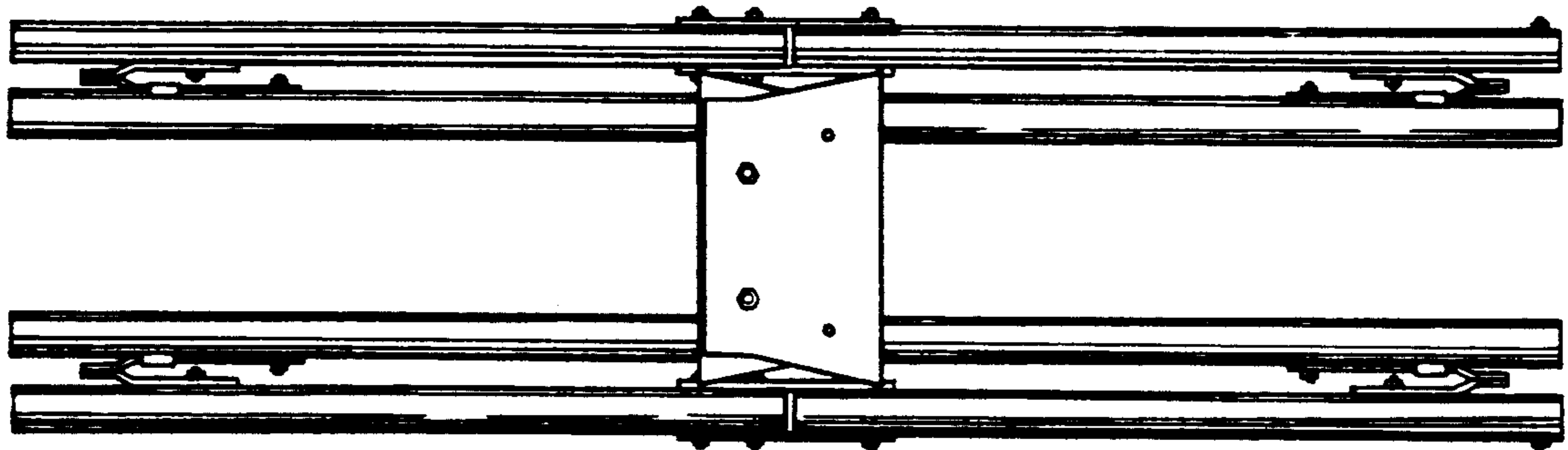


FIG. 6

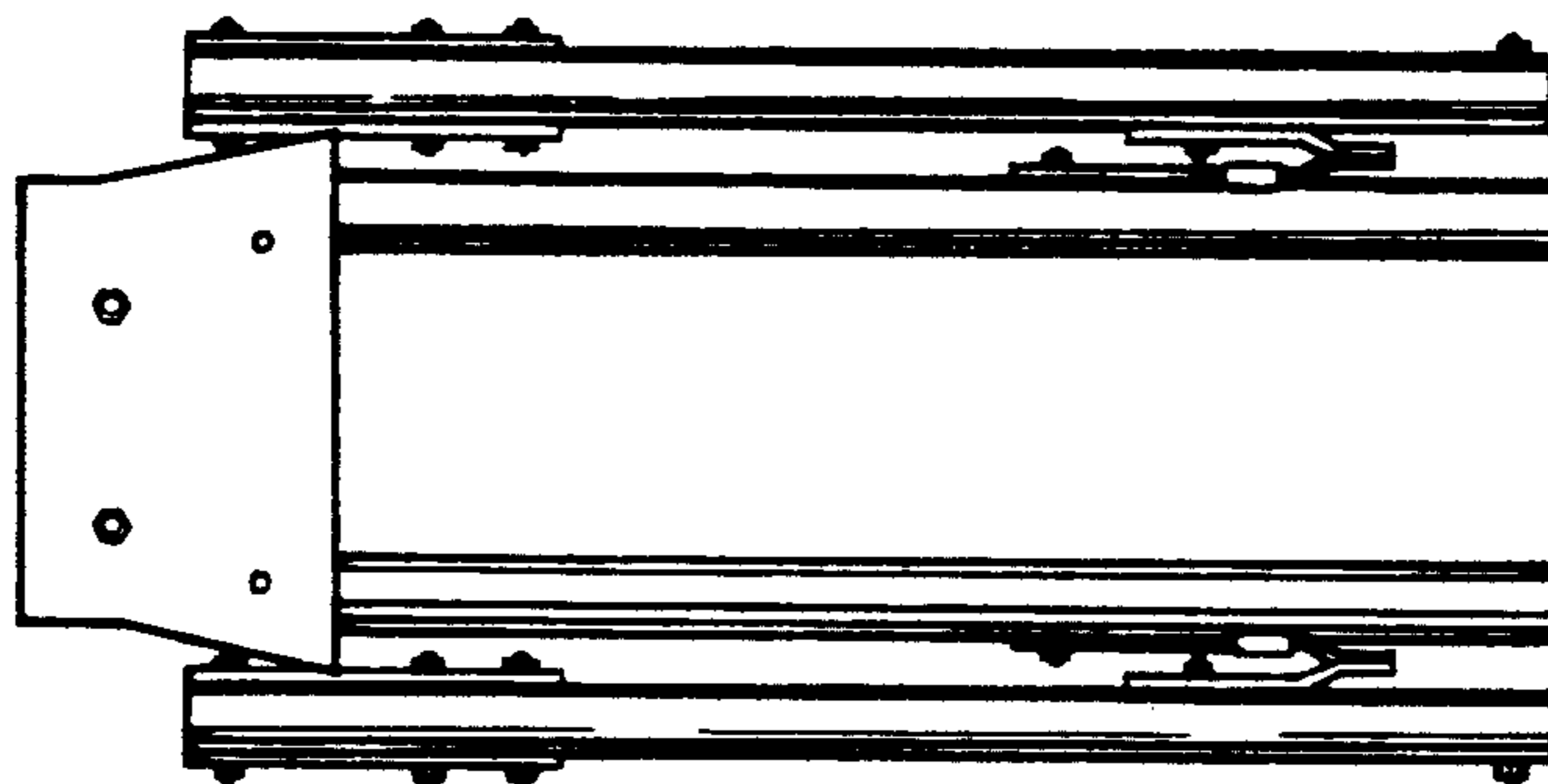


FIG. 7