



US00D342838S

# United States Patent [19] Peterson

[11] Patent Number: Des. 342,838

[45] Date of Patent: \*\* Jan. 4, 1994

[54] SUNTANNING SUPPORT FURNITURE

[76] Inventor: **Randall S. Peterson**, 518 W. Cherokee, Shabbona, Ill. 60550

[\*\*] Term: **14 Years**

[21] Appl. No.: **708,632**

[22] Filed: **May 31, 1991**

[52] U.S. Cl. .... **D6/361; D6/382; D6/495; D24/183; D24/203**

[58] Field of Search ..... **D6/361, 364, 365, 382, D6/495, 498; 5/110, 114, 117, 643; 248/188.7; 297/457, 349; D24/183, 184, 185, 203**

[56] **References Cited**

**U.S. PATENT DOCUMENTS**

3,170,172	2/1965	Kessman .	
3,593,986	7/1971	Lee .	
3,625,434	12/1971	Kitover .	
3,659,898	5/1972	Yellin .....	297/445
3,968,755	7/1976	Lester .....	248/188.7 X
4,140,128	2/1979	Van Der Schaaf .....	297/349 X

4,441,220	4/1984	Peterson .	
4,824,170	4/1989	Goldmeier .....	297/349 X
5,046,782	9/1991	Lundeen .....	297/349

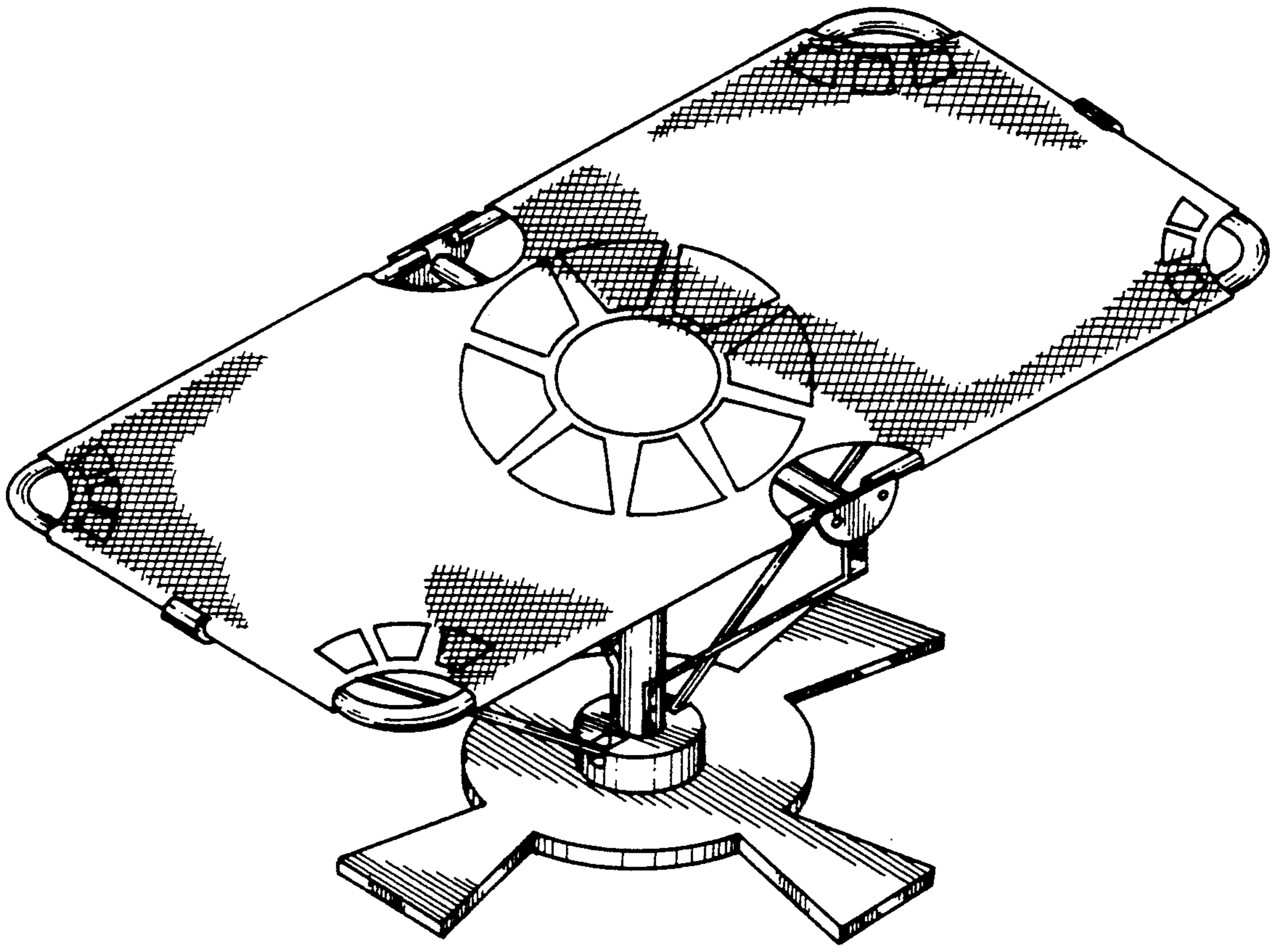
*Primary Examiner*—A. Hugo Word  
*Assistant Examiner*—I. Simmons  
*Attorney, Agent, or Firm*—Terry M. Gernstein

[57] **CLAIM**

The ornamental design for suntanning support furniture, as shown and described.

**DESCRIPTION**

FIG. 1 is a perspective view of the suntanning support furniture embodying the design of the present invention;  
FIG. 2 is a front end elevational view thereof, the rear end elevational view being a mirror image of the front end shown in FIG. 2;  
FIG. 3 is a side elevational view thereof, the side opposite being a mirror image of the side shown in FIG. 3;  
FIG. 4 is a top plan view thereof; and,  
FIG. 5 is a bottom view thereof.



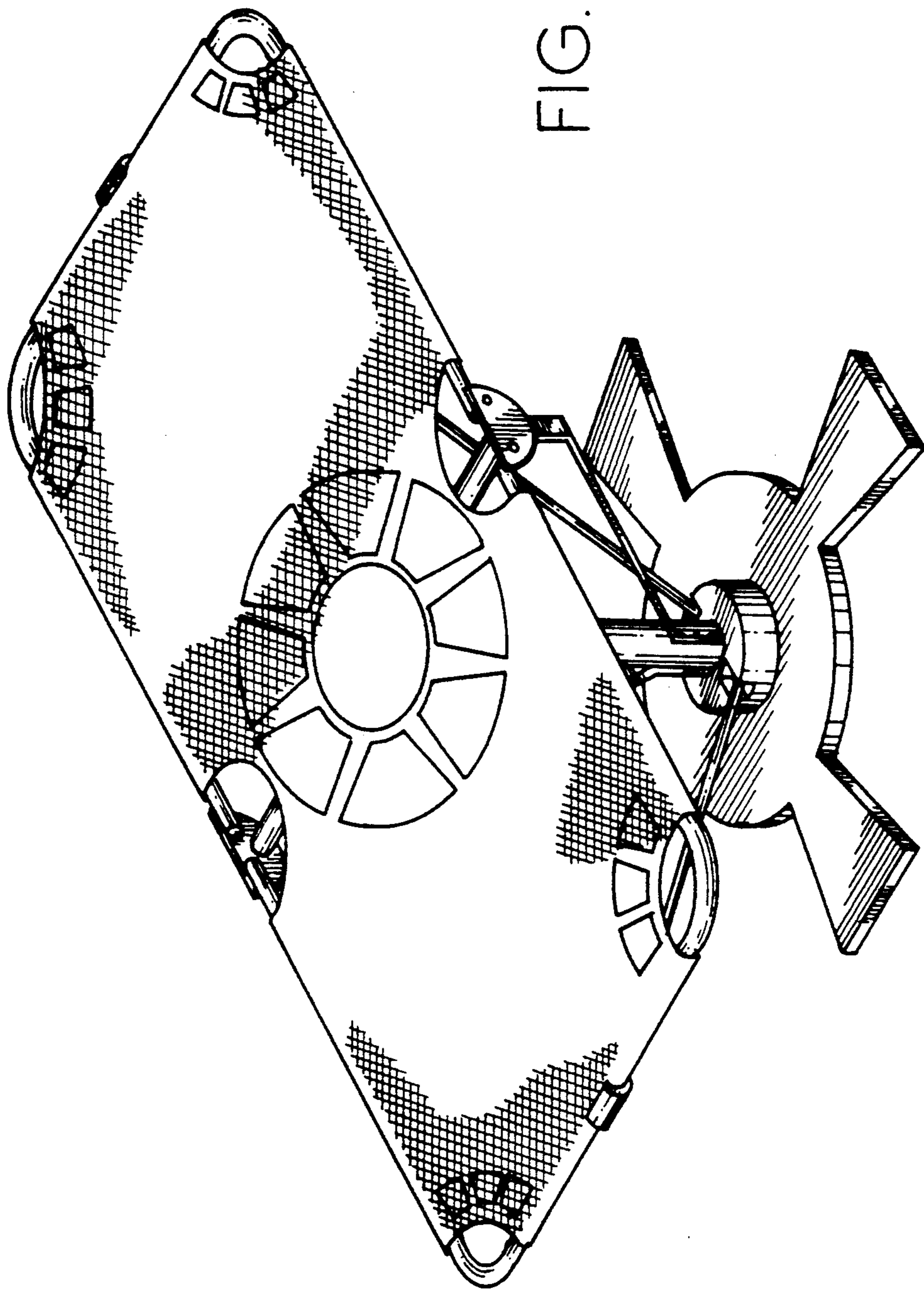


FIG. 1.

FIG. 2.

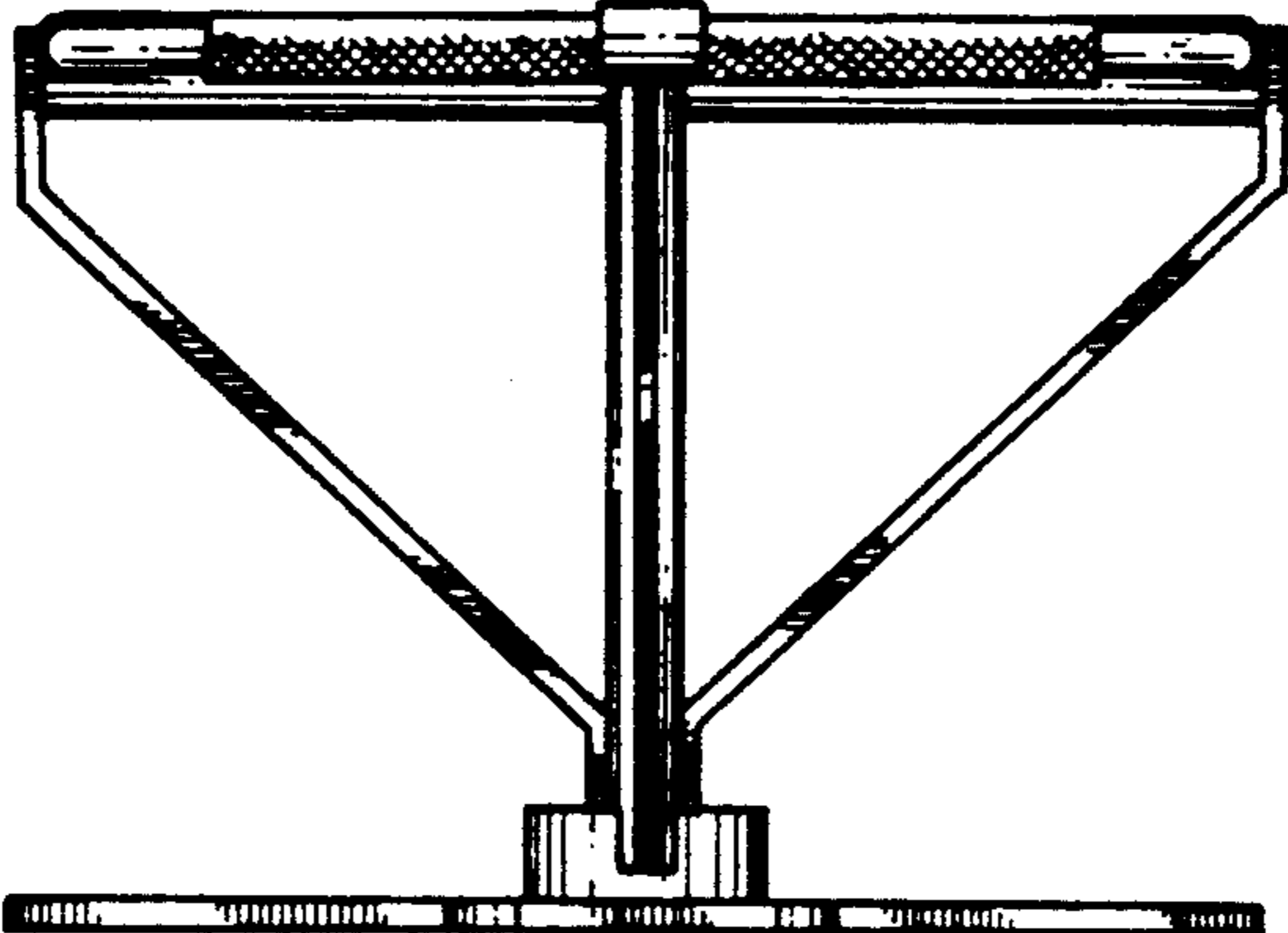


FIG. 3.

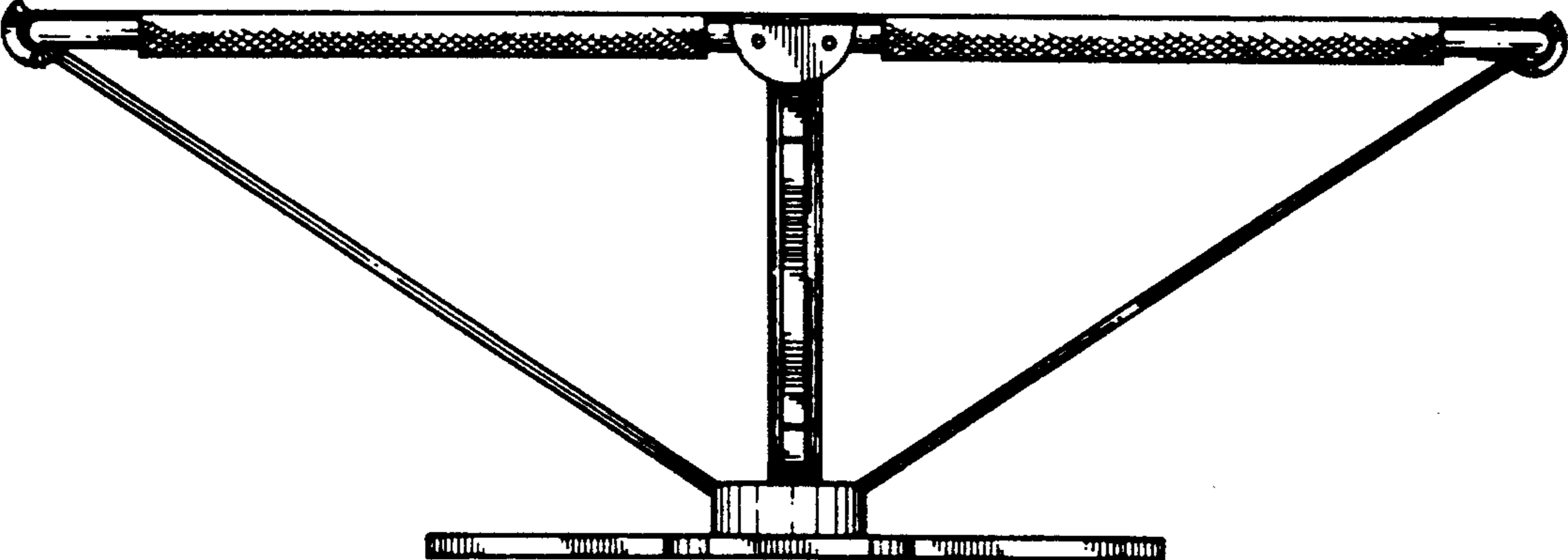


FIG. 4.

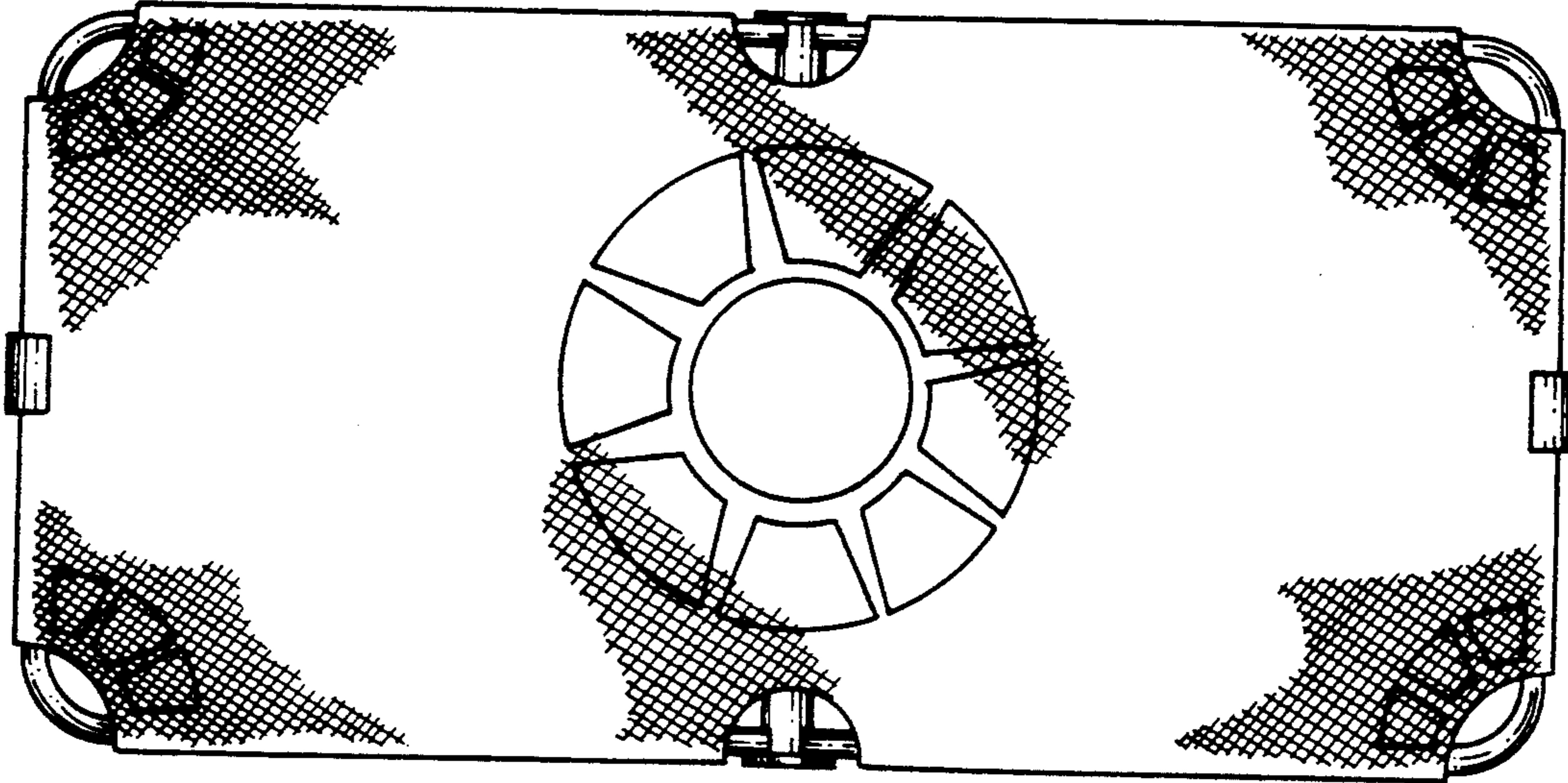


FIG. 5

