



US00D342835S

United States Patent [19]

[11] Patent Number: **Des. 342,835**

Mink

[45] Date of Patent: **** Jan. 4, 1994**

[54] **CHILD SEAT FOR USE ON A SHOPPING CART**

4,416,462	11/1983	Thompson	280/33.993
4,674,758	6/1987	Valley et al.	297/487 X
4,676,376	6/1987	Keiswetter	297/219 X

[76] Inventor: **Nanci Mink**, 1291 Iola St., Aurora, Colo. 80010

Primary Examiner—Nelson C. Holtje
Assistant Examiner—J. E. Seeger
Attorney, Agent, or Firm—Terry M. Gernstein

[**] Term: **14 Years**

[21] Appl. No.: **802,459**

[57] **CLAIM**

[22] Filed: **Dec. 5, 1991**

The ornamental design for a child seat for use on a shopping cart, as shown and described.

[52] U.S. Cl. **D6/333**

[58] Field of Search D6/334, 362, 374-376; 297/219, 225, 229, 457-; 280/33.993, 250

DESCRIPTION

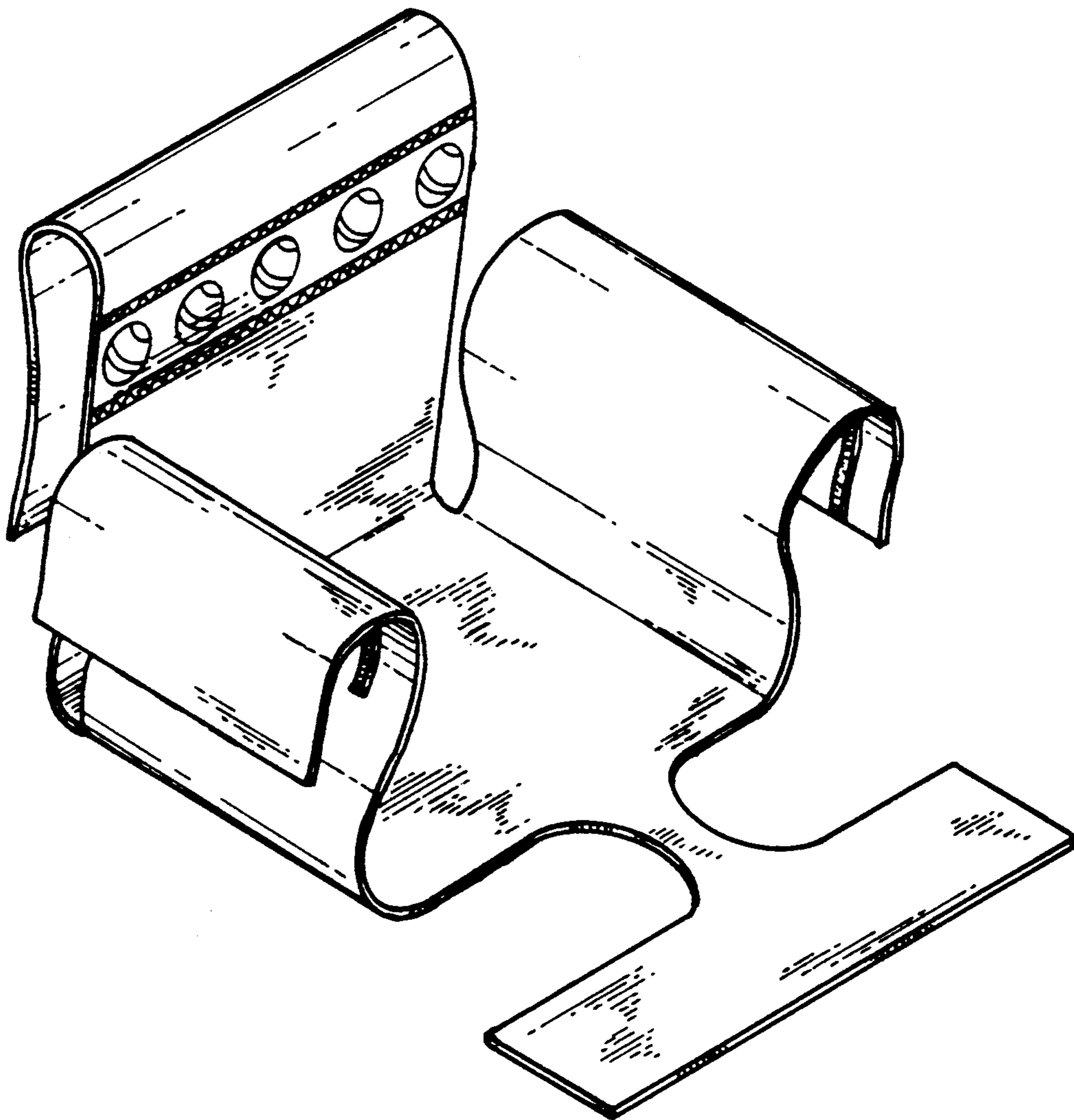
[56] **References Cited**

FIG. 1 is a perspective view of the child seat for use on a shopping cart embodying the design of the present invention;

U.S. PATENT DOCUMENTS

D. 174,503	4/1955	Kolb et al.	D6/380
D. 264,648	6/1982	Rodriguez	D6/334 X
D. 282,224	1/1986	Huldt	D6/375
3,471,200	10/1969	Morrison	D6/374 X
4,204,695	5/1980	Salzman	280/33.993
4,324,430	4/1982	Dimas	280/33.993

FIG. 2 is a side elevational view thereof, the side opposite being a mirror image of the side shown in FIG. 2; FIG. 3 is a front elevational view thereof; FIG. 4 is a rear elevational view thereof; FIG. 5 is a top plan view thereof; and, FIG. 6 is a bottom view thereof.



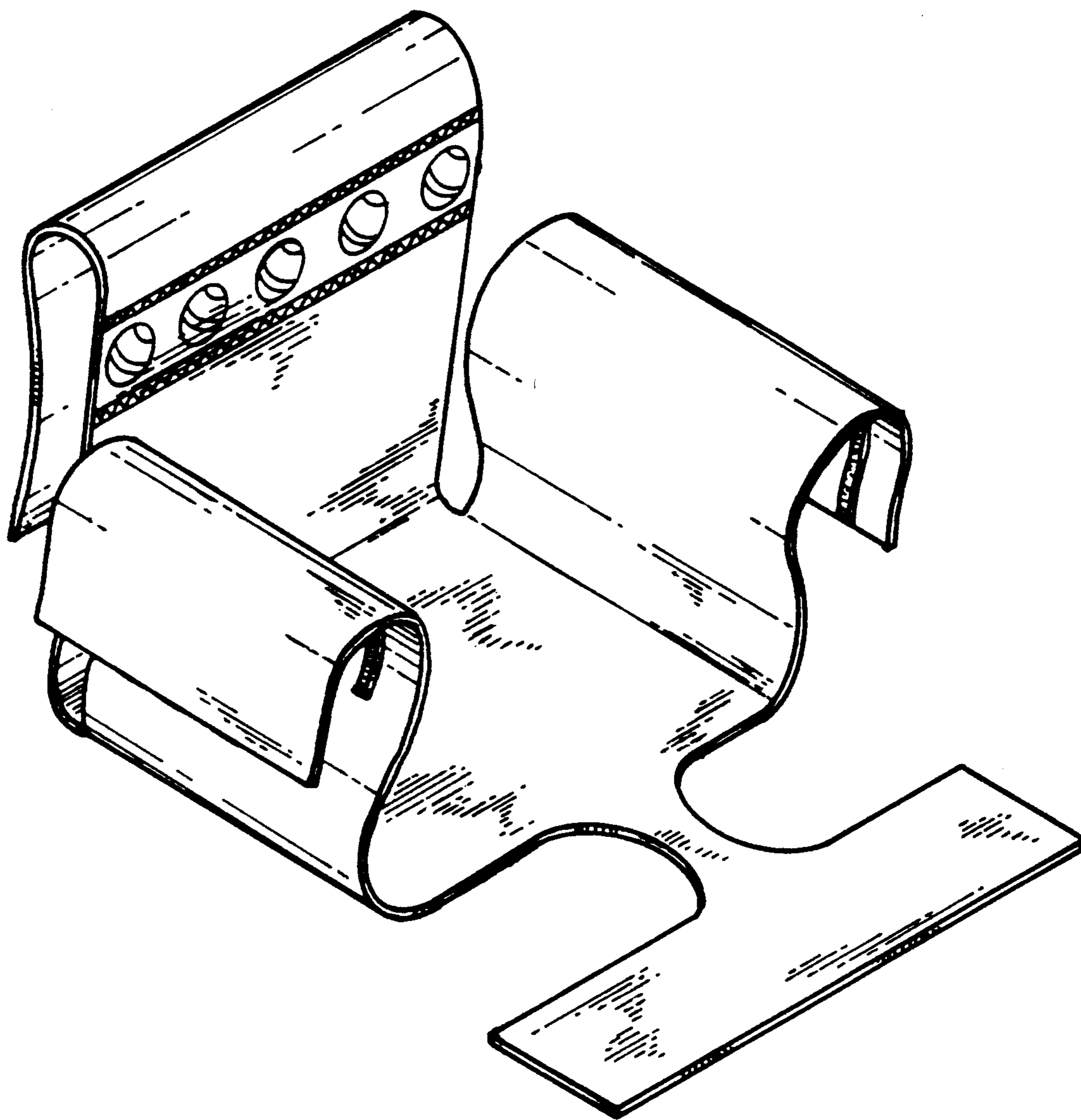


FIG. 1

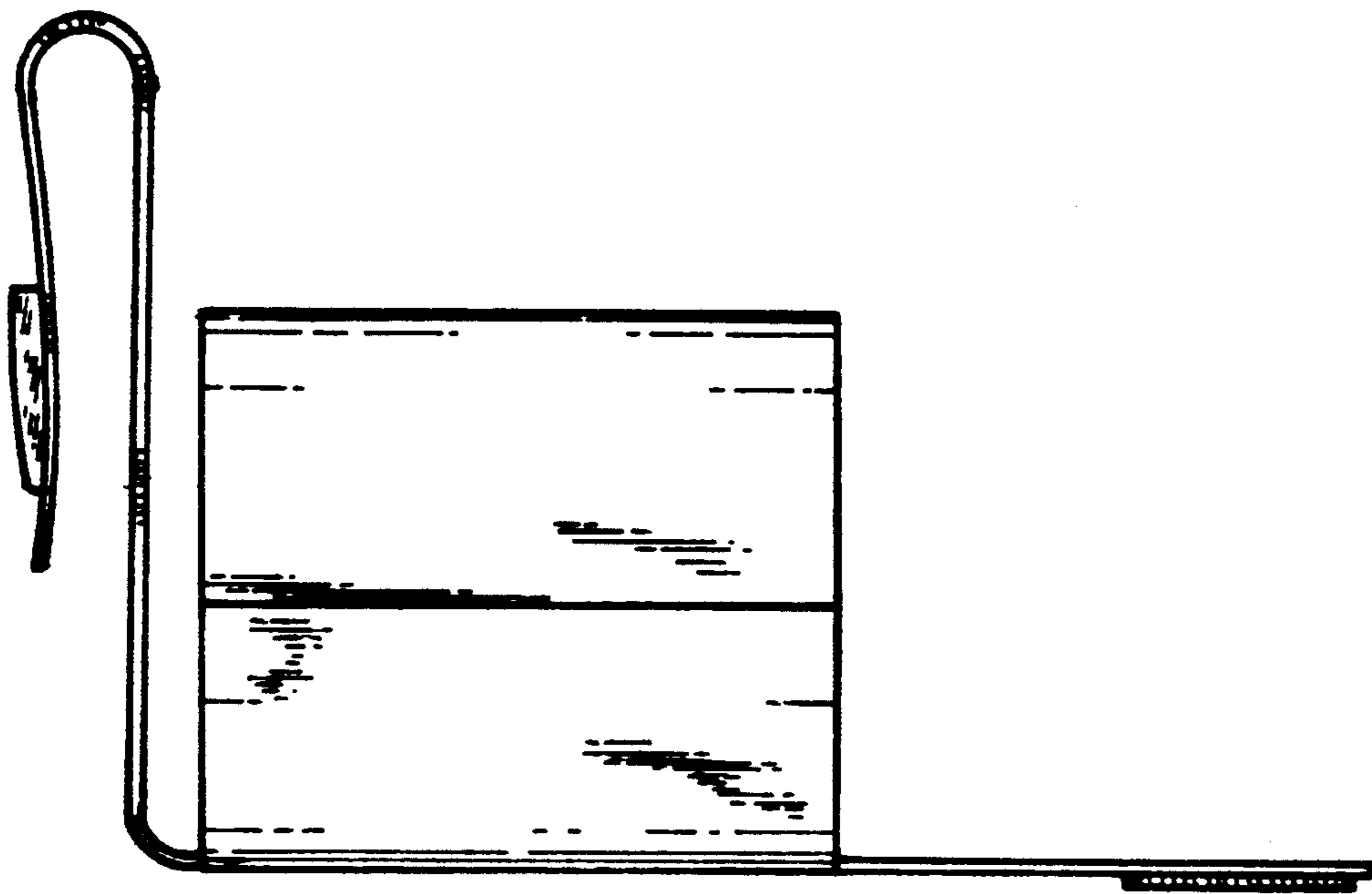


FIG. 2

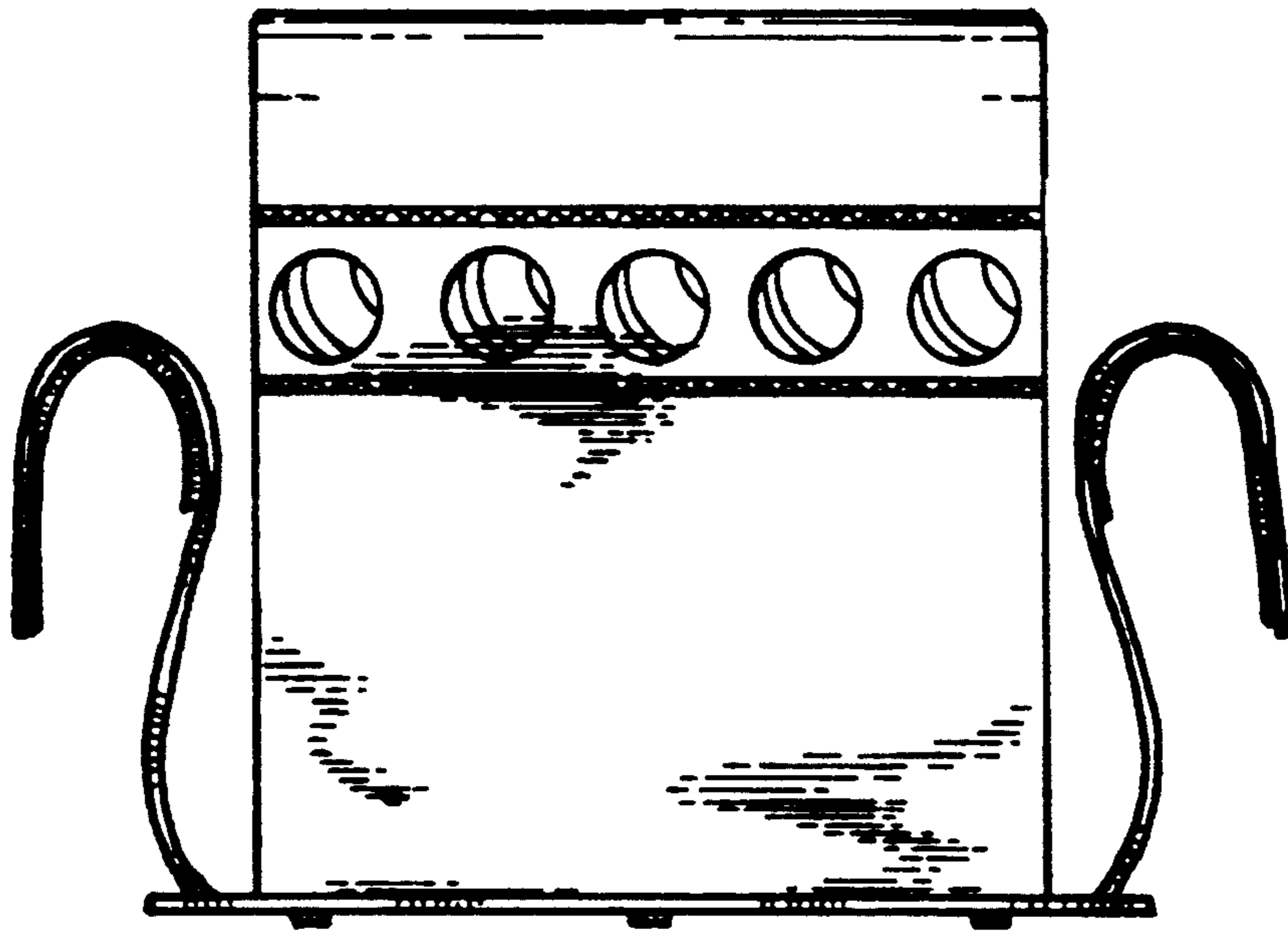


FIG. 3

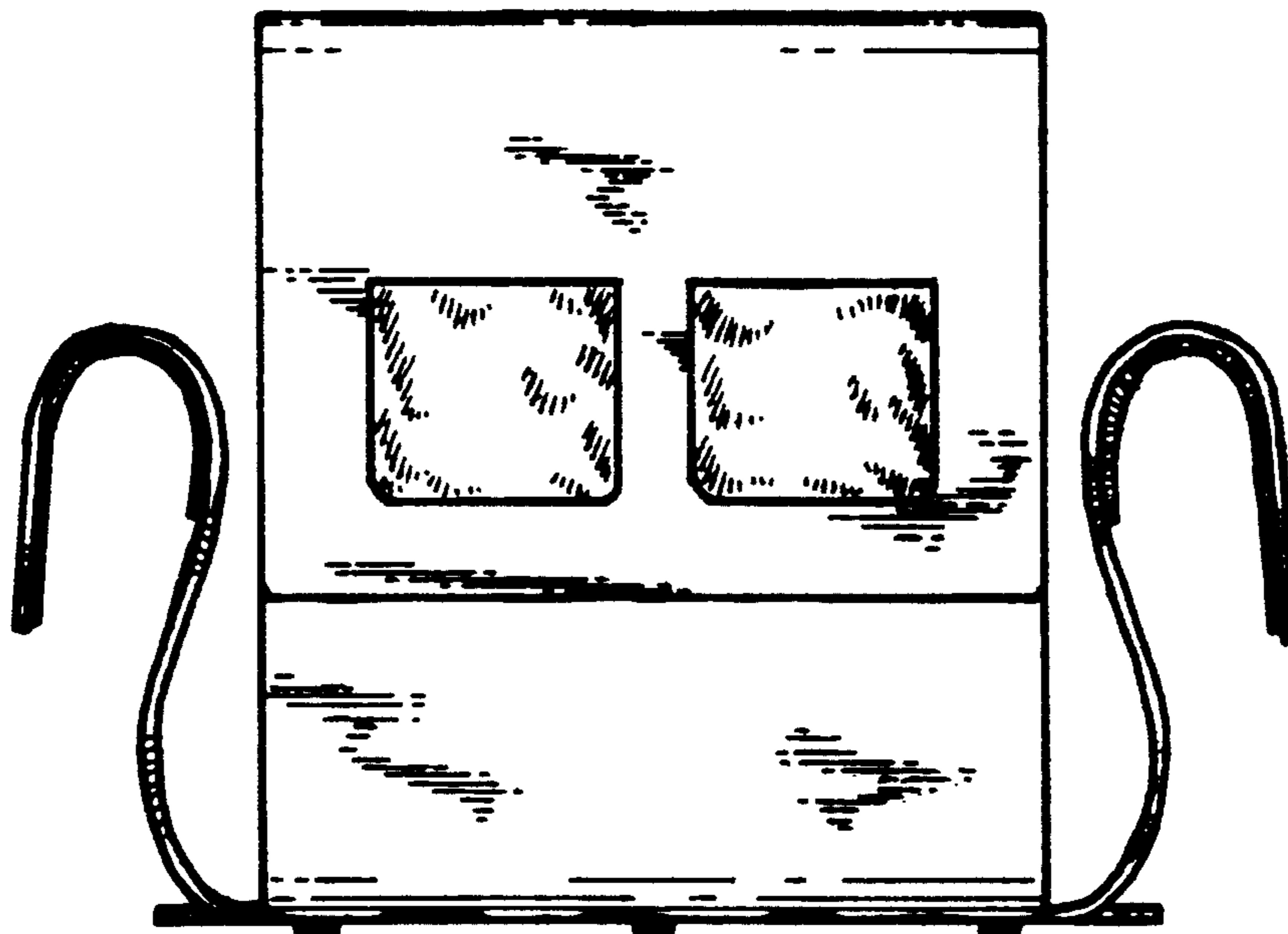


FIG. 4

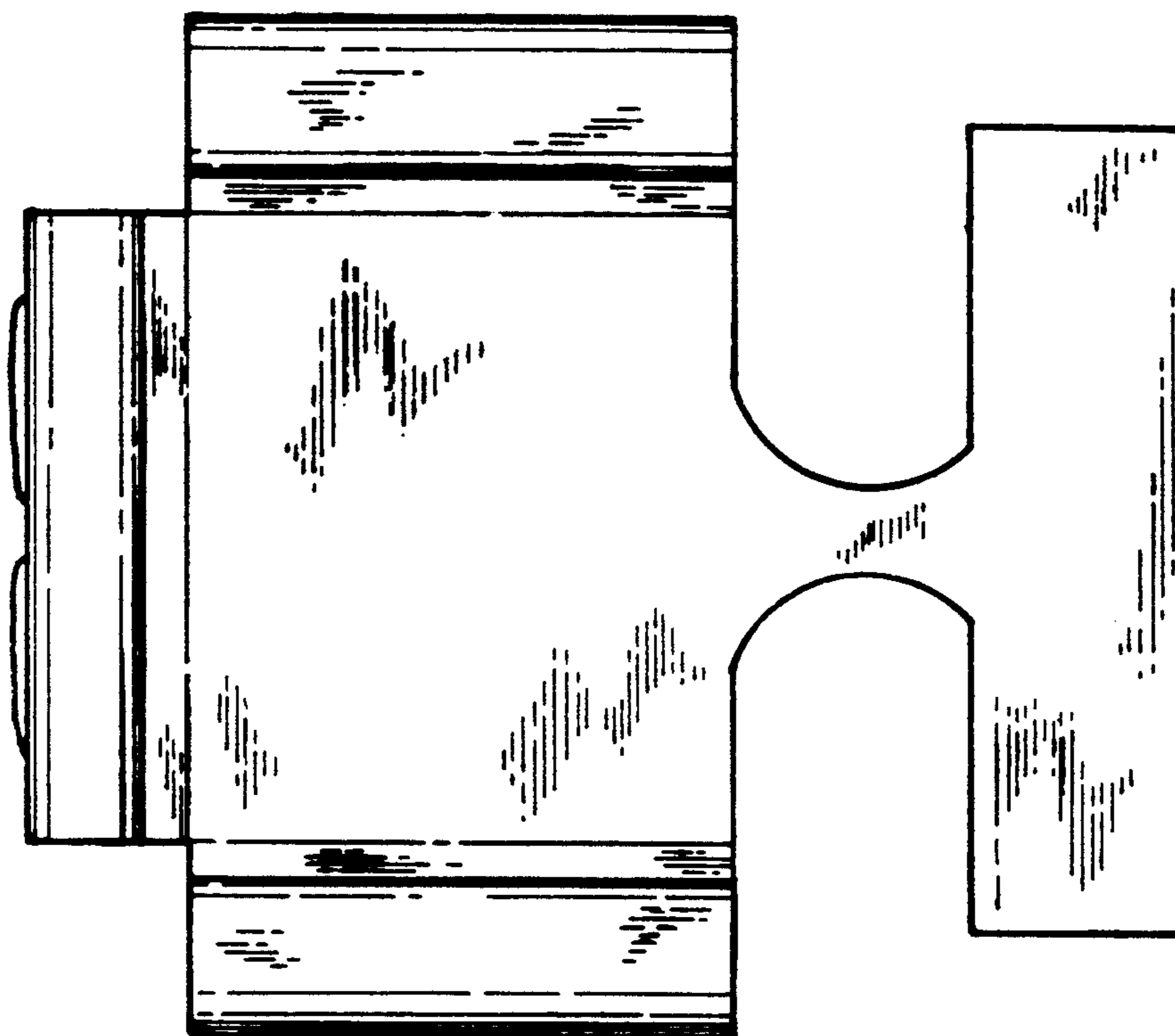


FIG. 5

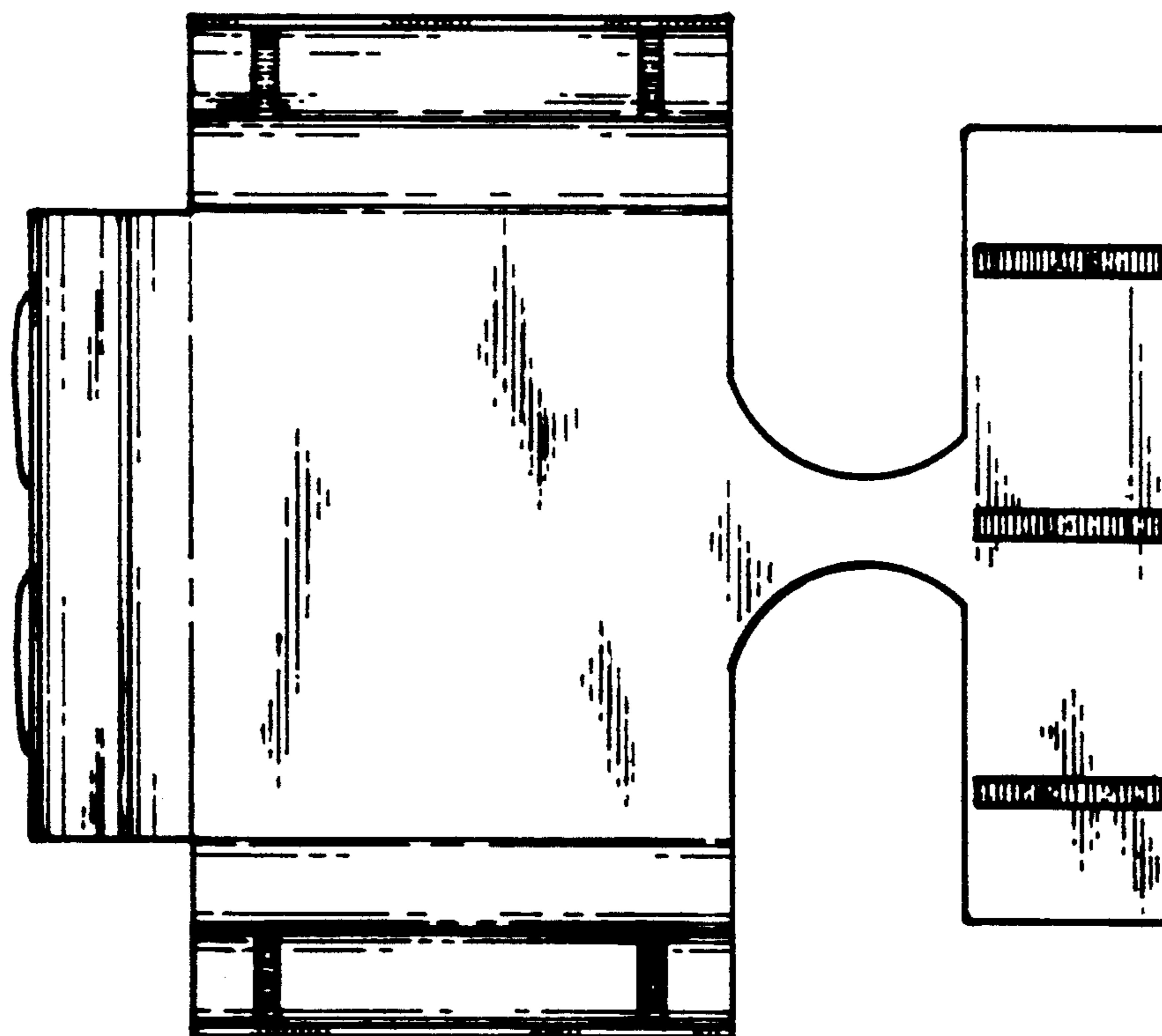


FIG. 6