



US00D342827S

# United States Patent [19]

[11] Patent Number: **Des. 342,827**

**Würflingsdobler, Jr.**

[45] Date of Patent: **\*\* Jan. 4, 1994**

[54] **UMBRELLA**

1,885,968 11/1932 Wedemann ..... D3/11 X  
4,597,400 7/1986 Trudeau, Sr. .... 135/20.1 X

[75] Inventor: **Hermann Würflingsdobler, Jr.,  
Braunau, Austria**

*Primary Examiner*—Louis S. Zarfes  
*Attorney, Agent, or Firm*—Anderson Kill Olick &  
Oshinsky

[73] Assignee: **Ernst Doppler & Co. Gesellschaft  
m.b.H Schirmfabrikation, Braunau,  
Austria**

[57] **CLAIM**

[\*\*] Term: **14 Years**

The ornamental design for an umbrella, as shown and described.

[21] Appl. No.: **896,071**

[22] Filed: **Jun. 2, 1992**

**DESCRIPTION**

[30] **Foreign Application Priority Data**

FIG. 1 is a perspective view of an umbrella showing my new design in closed condition;  
FIG. 2 is an end view thereof;  
FIG. 3 is a side elevational view thereof;  
FIG. 4 is an exploded view showing the cover separated;  
FIG. 5 is an exploded perspective view in partially open configuration;  
FIG. 6 is an exploded perspective view in fully open configuration; and,  
FIG. 7 is a perspective view in fully open configuration with the cover in alternate position.

Dec. 3, 1991 [AT] Austria ..... 3316/91

[52] U.S. Cl. .... **D3/6**

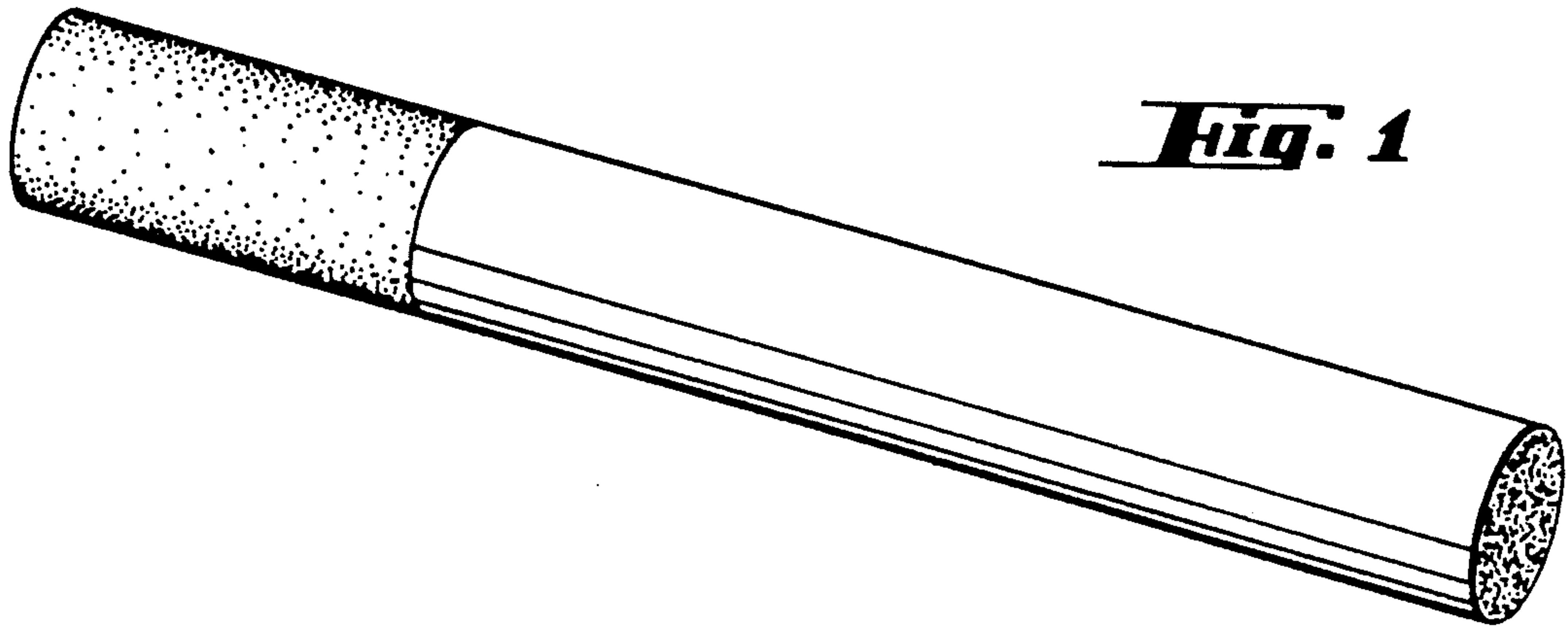
[58] Field of Search ..... D3/5-16;  
135/15.1-19.5 20.1, 33.2, 34.2, 25.4, 25.1-25.3,  
25.31-25.34, 25.41

[56] **References Cited**

**U.S. PATENT DOCUMENTS**

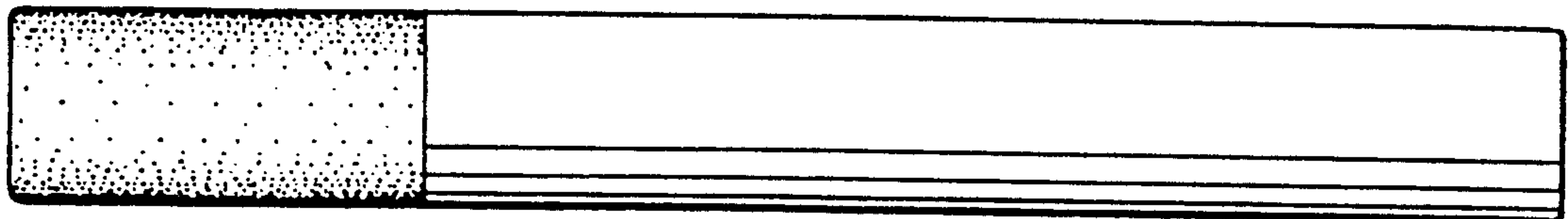
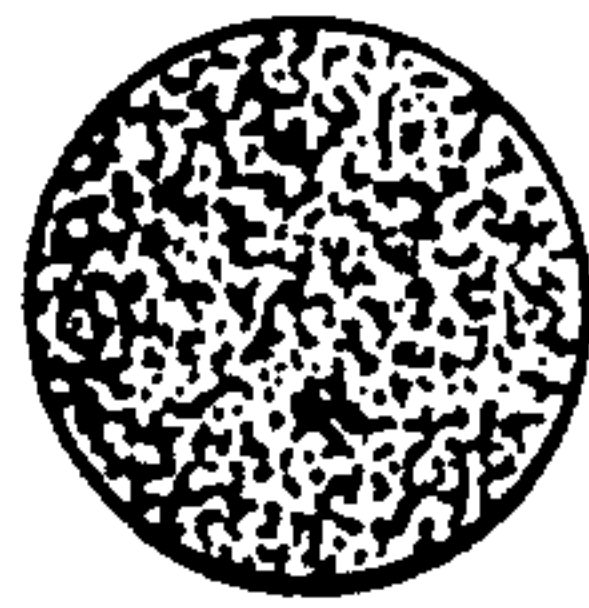
D. 289,945 5/1987 Orenstein ..... D3/11 X



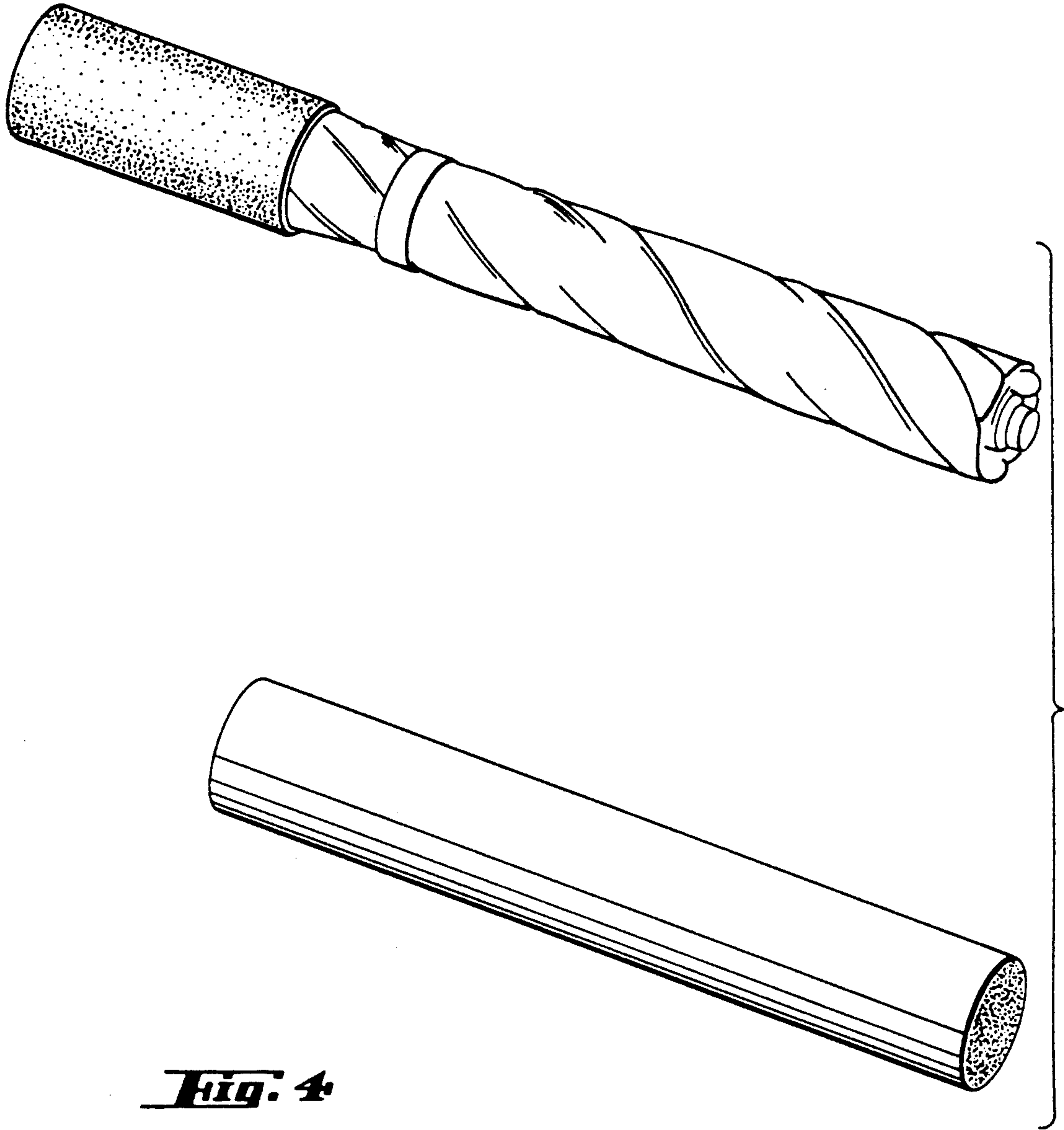


***Fig. 1***

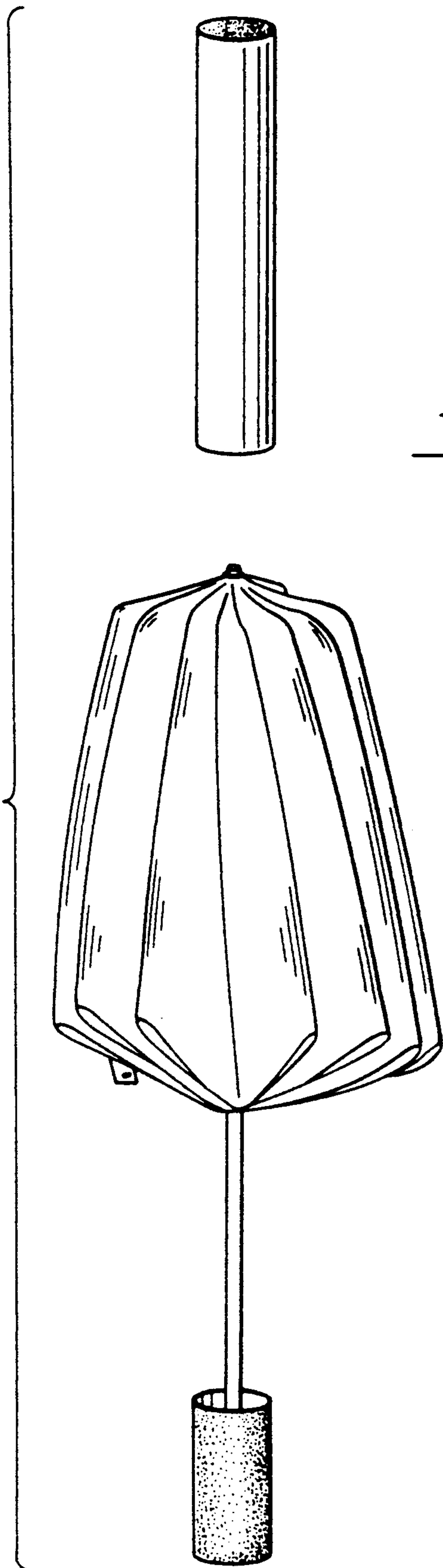
***Fig. 2***



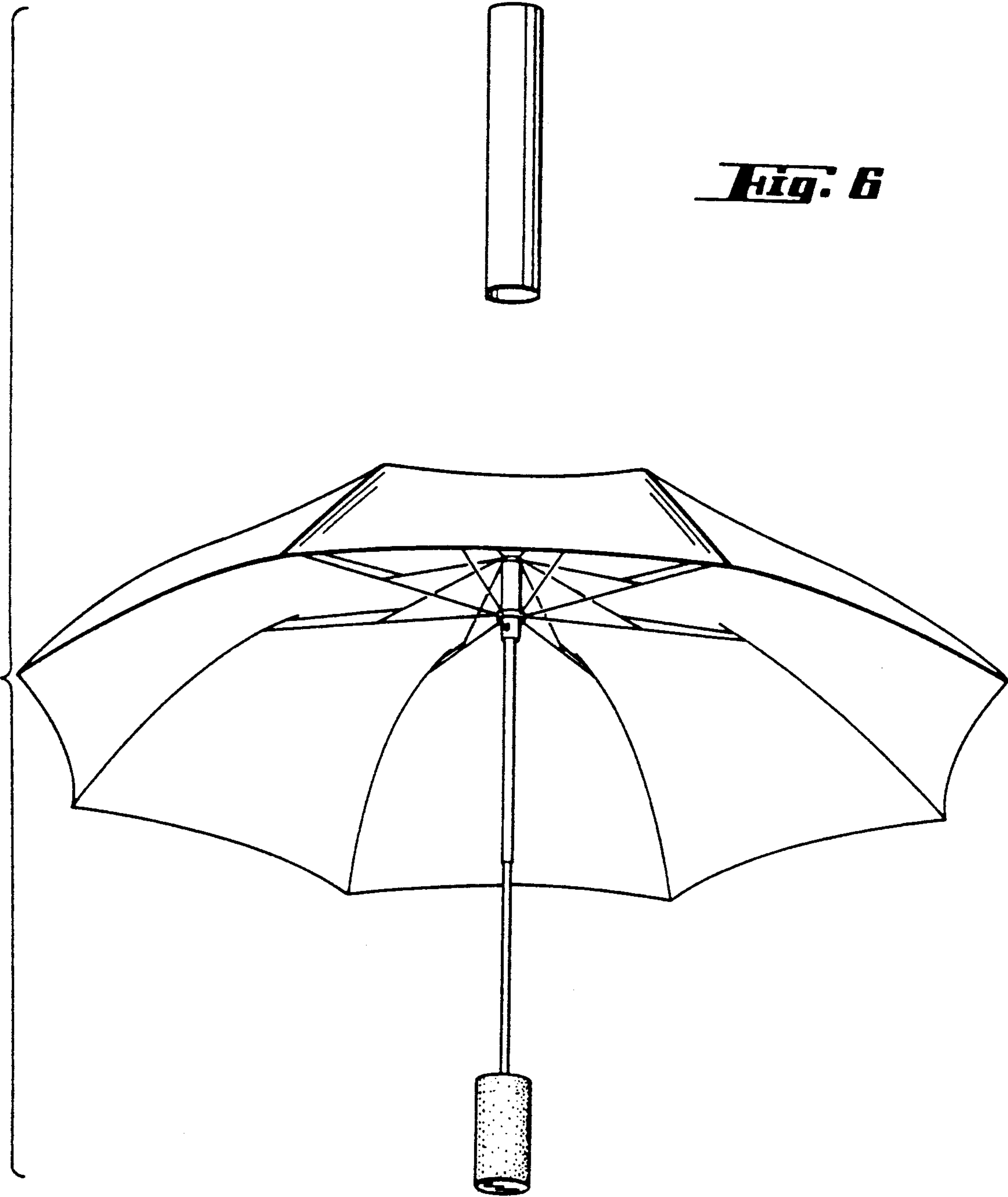
***Fig. 3***



***Fig. 4***



***Fig. 5***



***Fig. 6***

***Fig. 2***

