



US00D342812S

United States Patent [19]

[11] Patent Number: **Des. 342,812**

Reath

[45] Date of Patent: **** Dec. 28, 1993**

[54] **CARPET SWEEPER**

Attorney, Agent, or Firm—Price, Heneveld, Cooper, DeWitt & Litton

[75] Inventor: **Brenda L. Reath**, Grand Rapids, Mich.

[57] **CLAIM**

[73] Assignee: **Bissell Inc.**, Grand Rapids, Mich.

The ornamental design for a carpet sweeper, as shown and described.

[**] Term: **14 Years**

DESCRIPTION

[21] Appl. No.: **738,491**

FIG. 1 is a perspective view of a carpet sweeper showing my new design;

[22] Filed: **Jul. 31, 1991**

FIG. 2 is a front elevational view thereof;

[52] U.S. Cl. **D32/32; D32/31**

FIG. 3 is a rear elevational view thereof;

[58] Field of Search **D32/38-39, D32/21-22; 15/14.1, 42-43, 46-48**

FIG. 4 is a top plan view thereof;

FIG. 5 is a bottom plan view thereof;

FIG. 6 is a side elevational thereof, the opposite side being a mirror image;

[56] **References Cited**

U.S. PATENT DOCUMENTS

D. 283,455	4/1986	Slany	D32/38
D. 285,735	9/1986	Hanyu	D32/38
D. 312,154	11/1990	Kuroda	D32/38
D. 317,067	5/1991	Kuroda	D32/38

FIG. 7 is a perspective view of a second embodiment thereof;

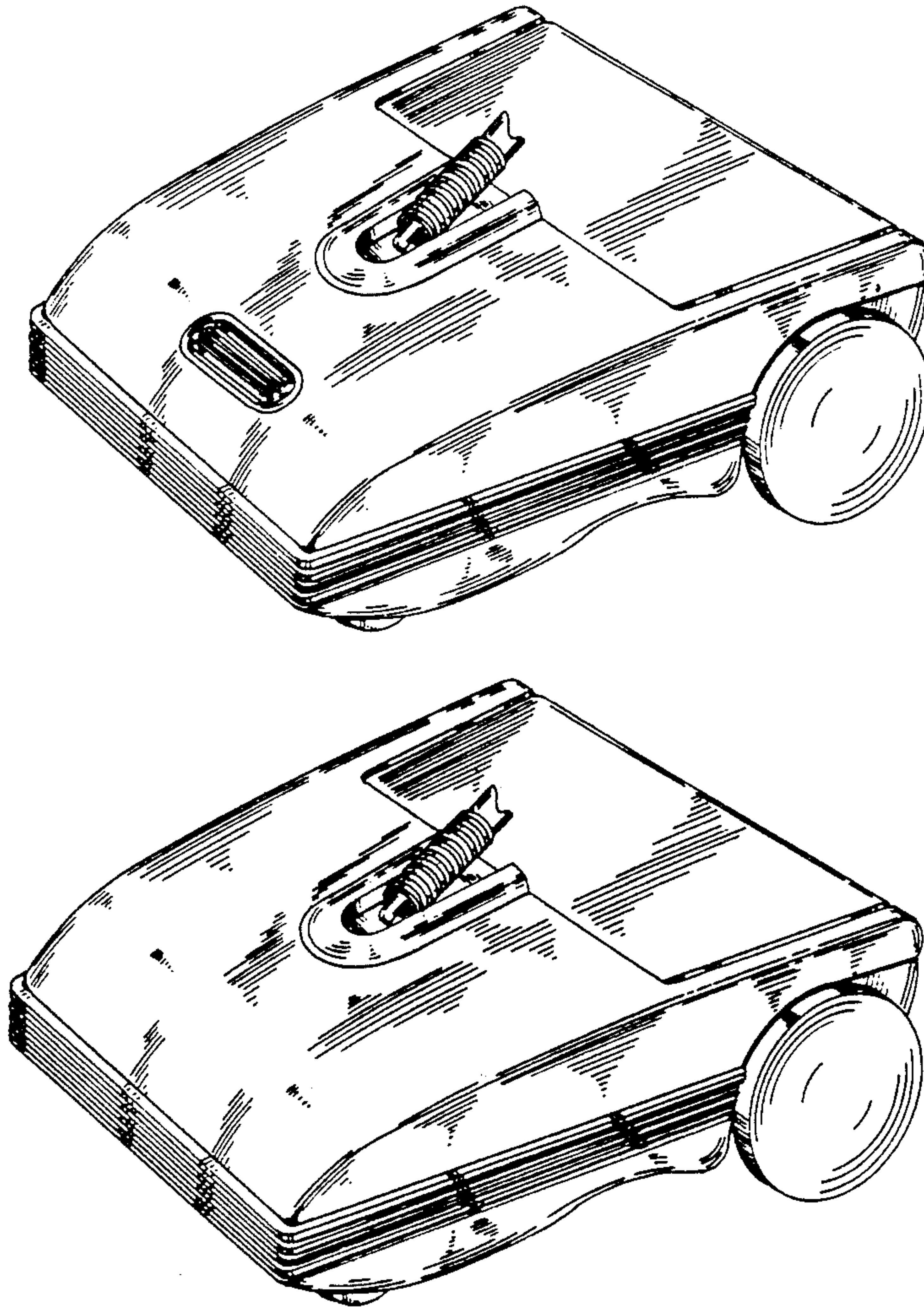
FIG. 8 is a front elevational view thereof;

FIG. 9 is a top plan view thereof; and,

FIG. 10 is a side elevational view thereof, the opposite side being a mirror image.

The bottom and rear view of the second embodiment is the same as FIGS. 3 and 5.

Primary Examiner—Ruth McInroy



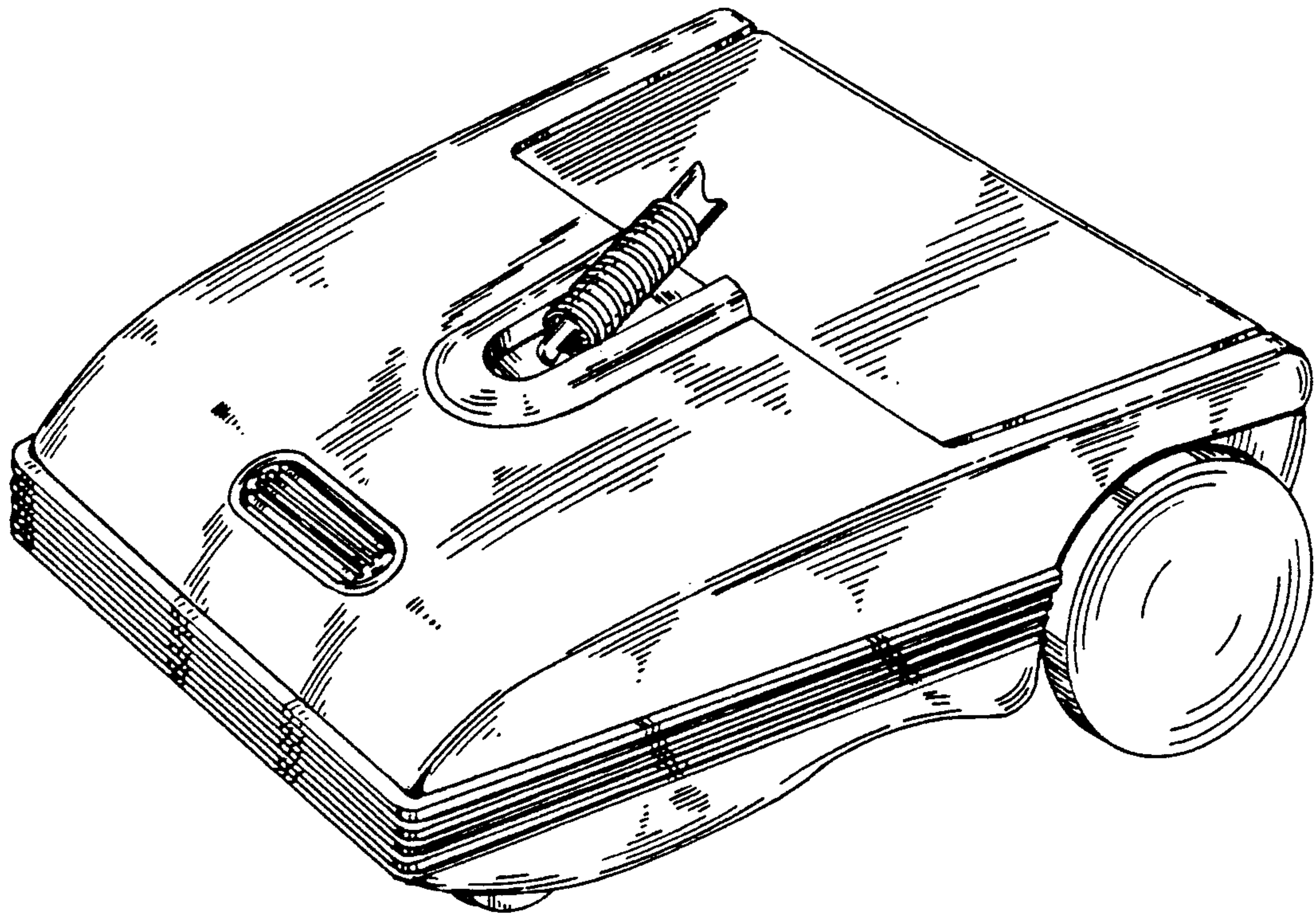


FIG. 1

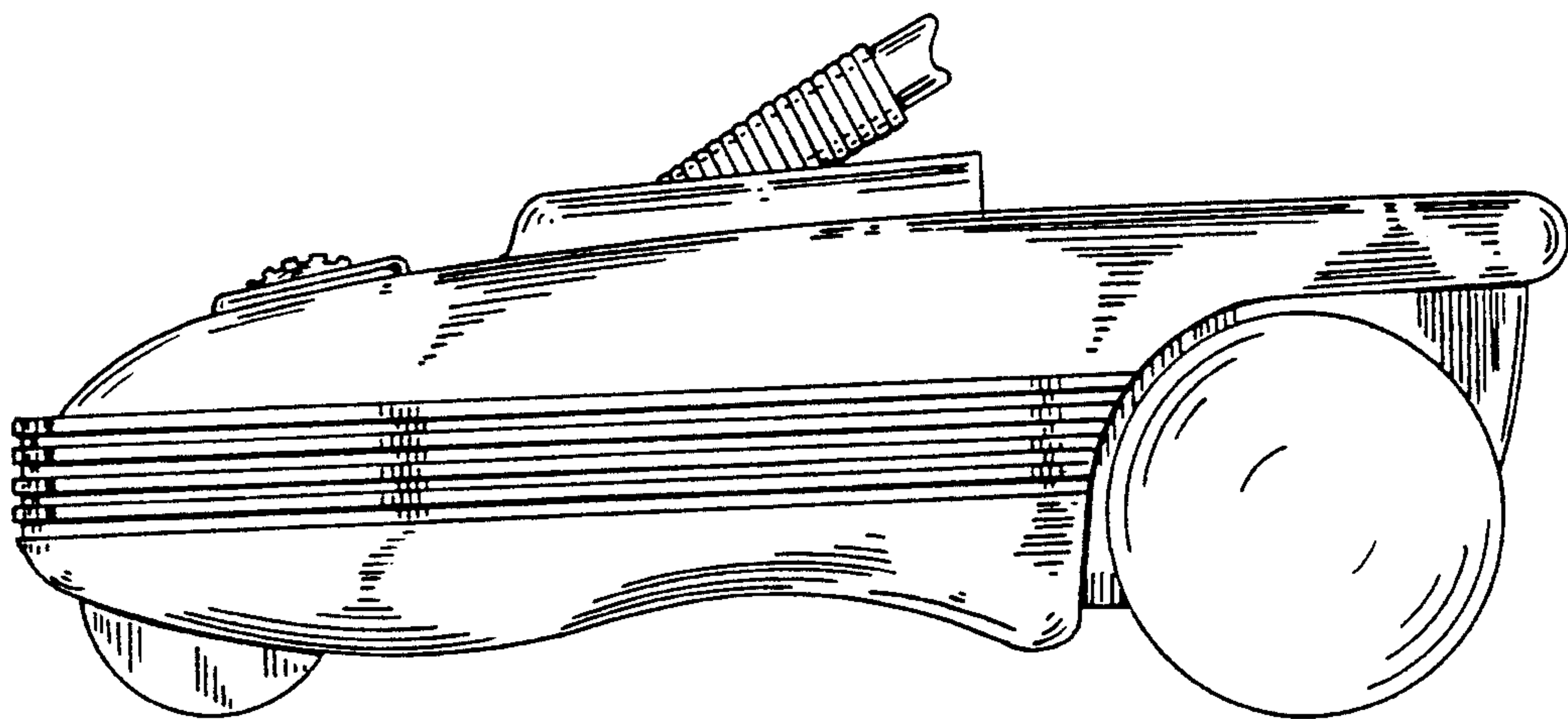


FIG. 6

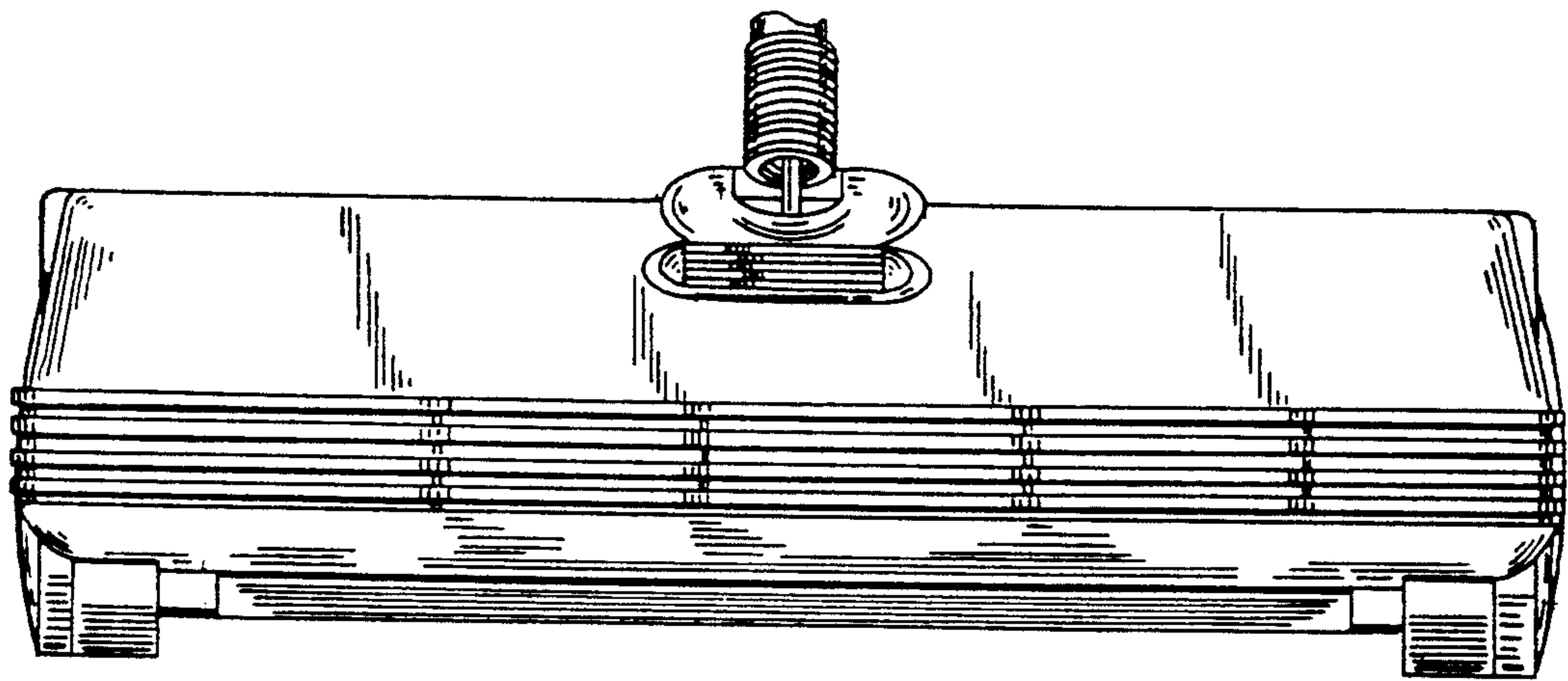


FIG. 2

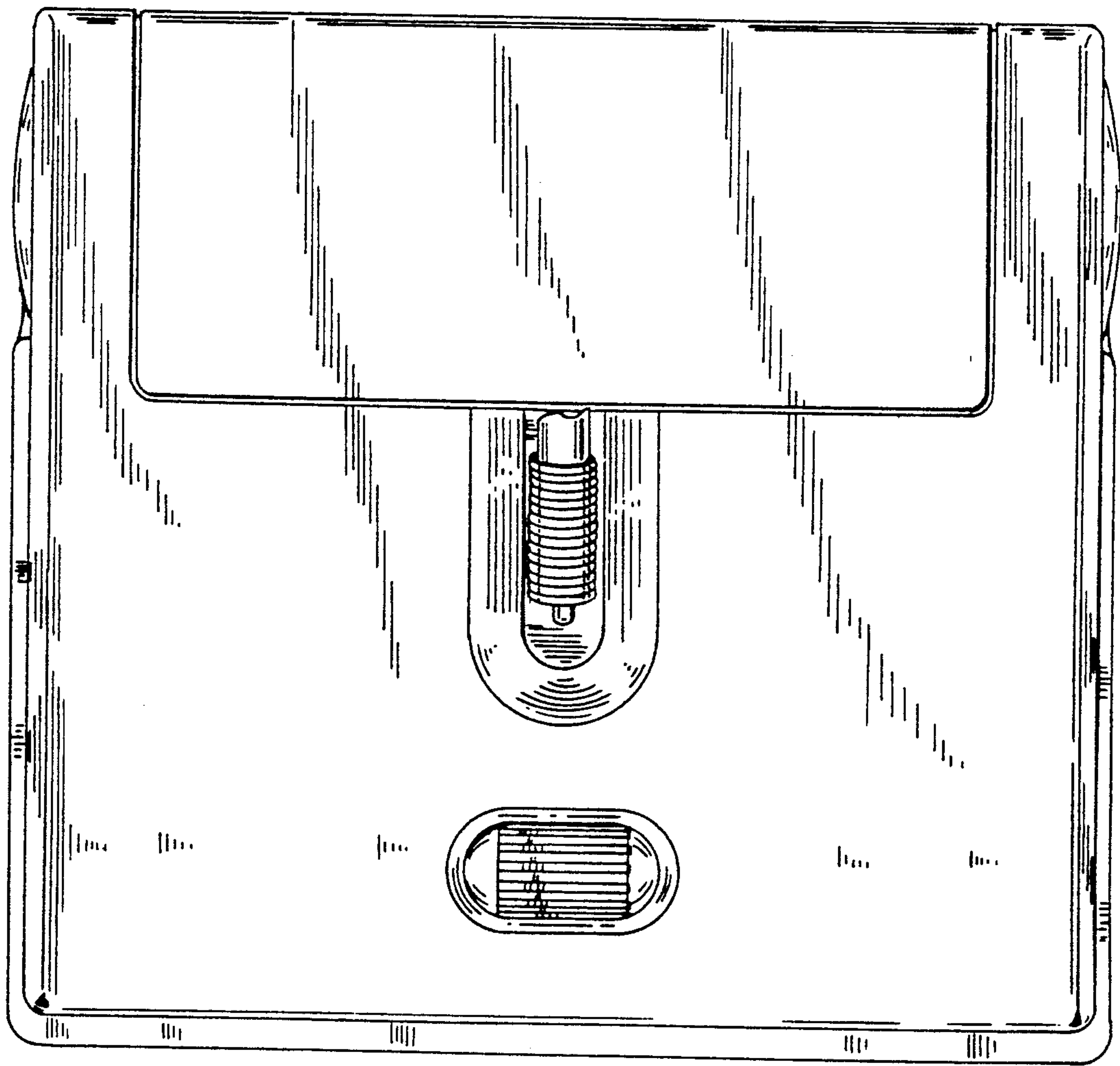


FIG. 4

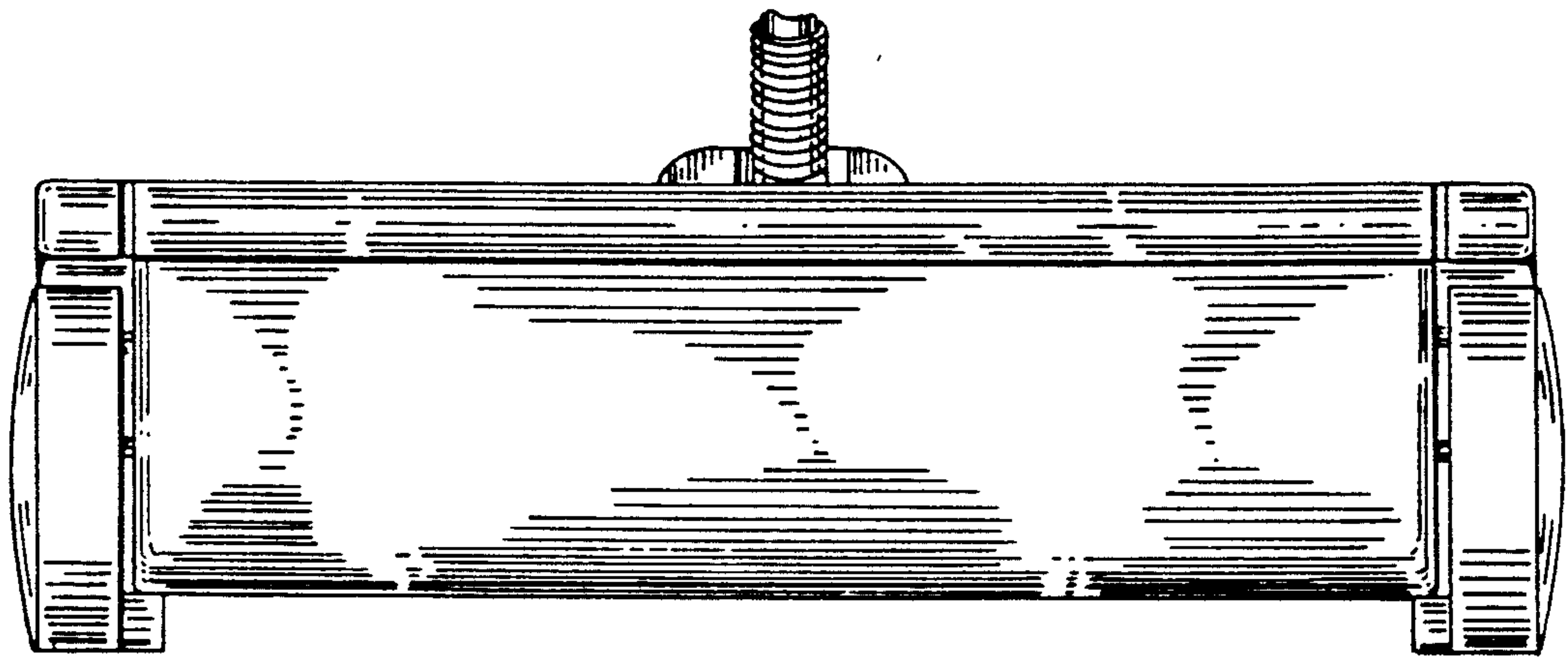


FIG. 3

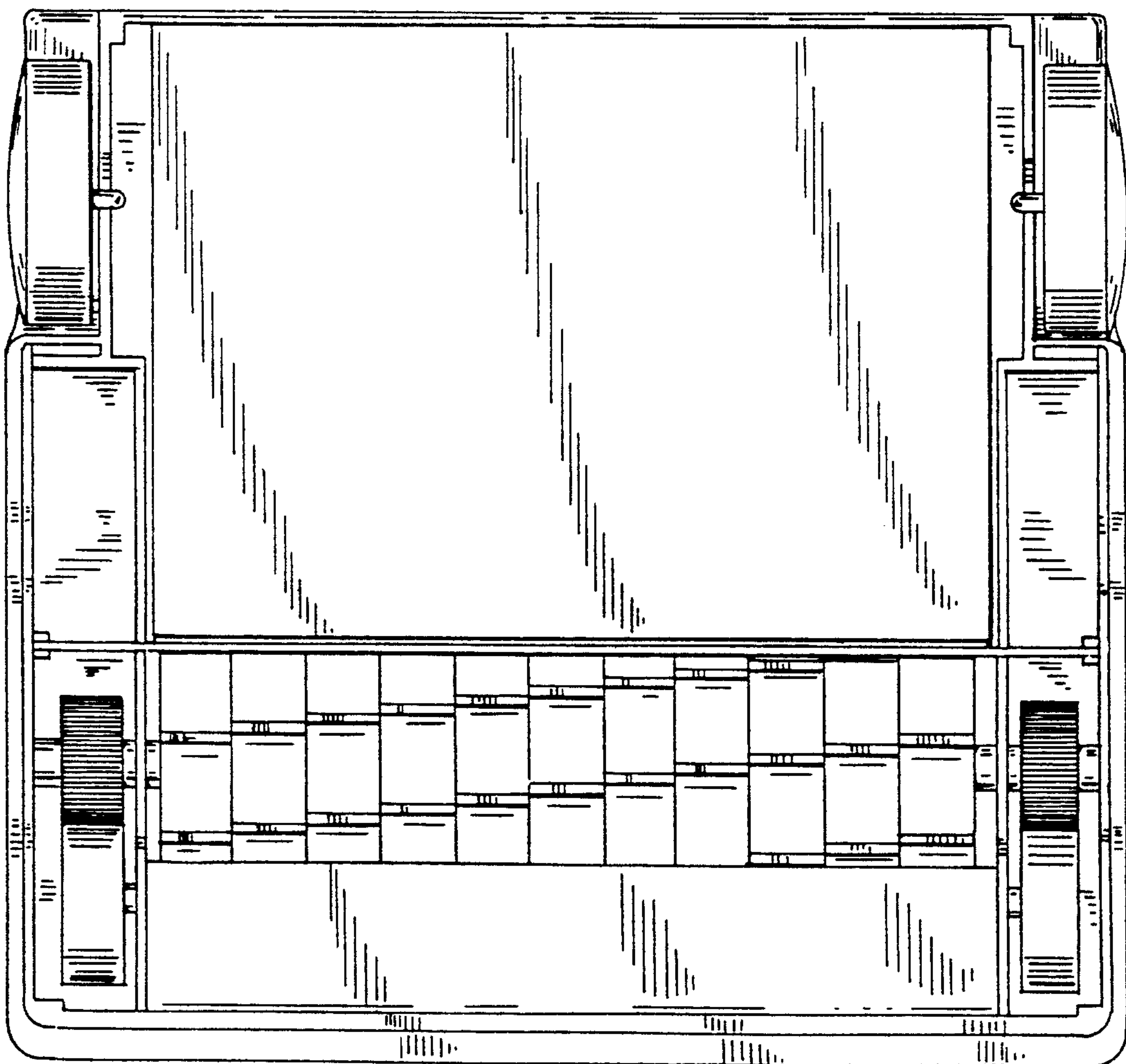


FIG. 5

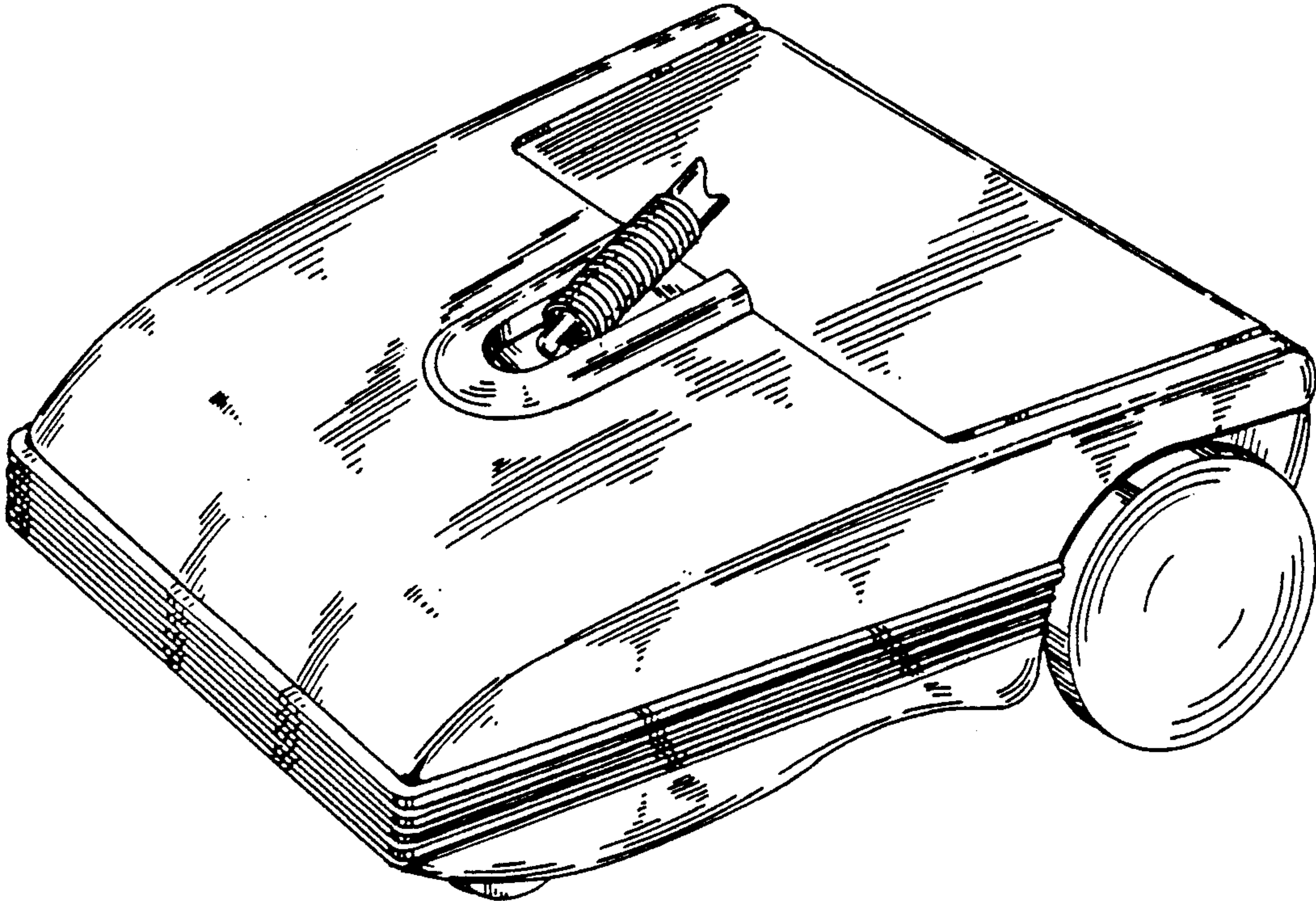


FIG. 7

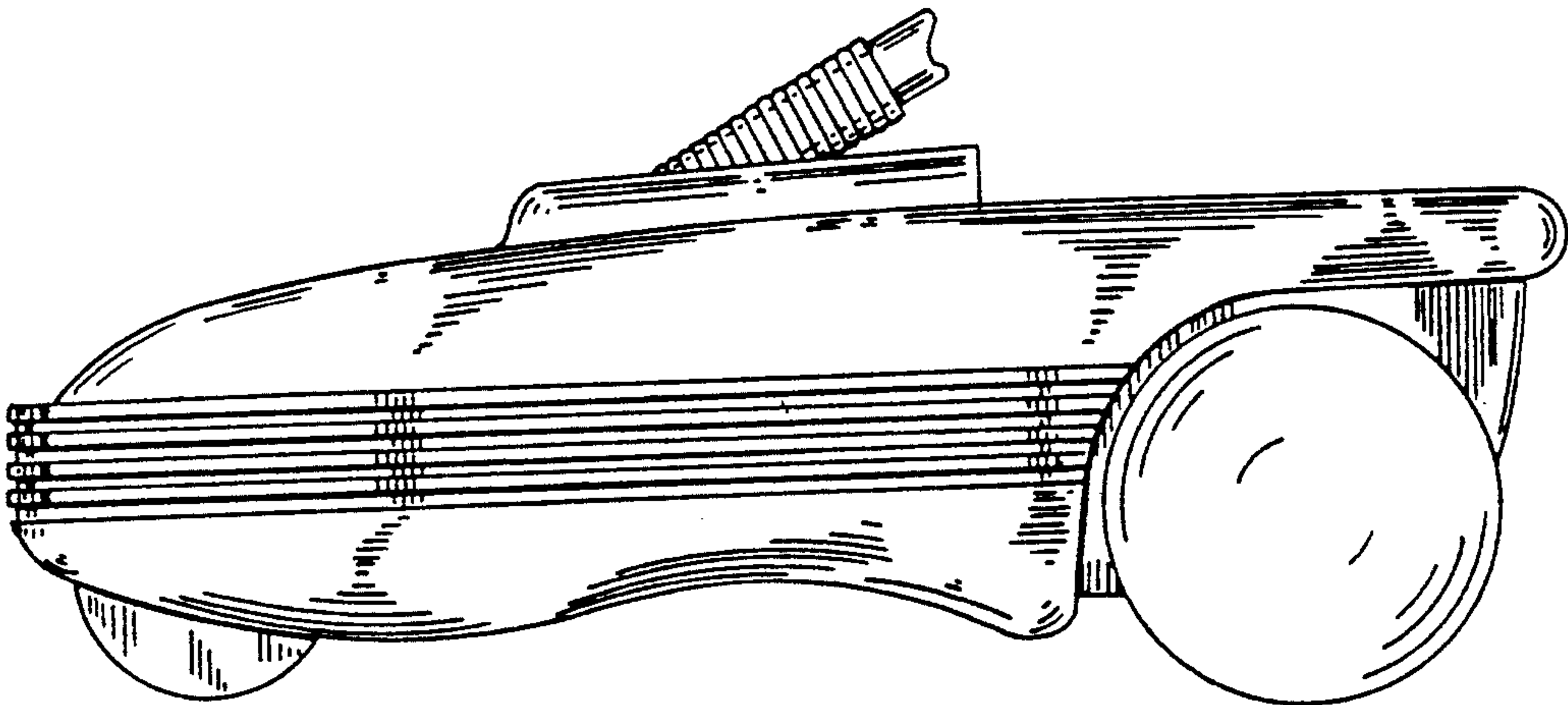


FIG. 10

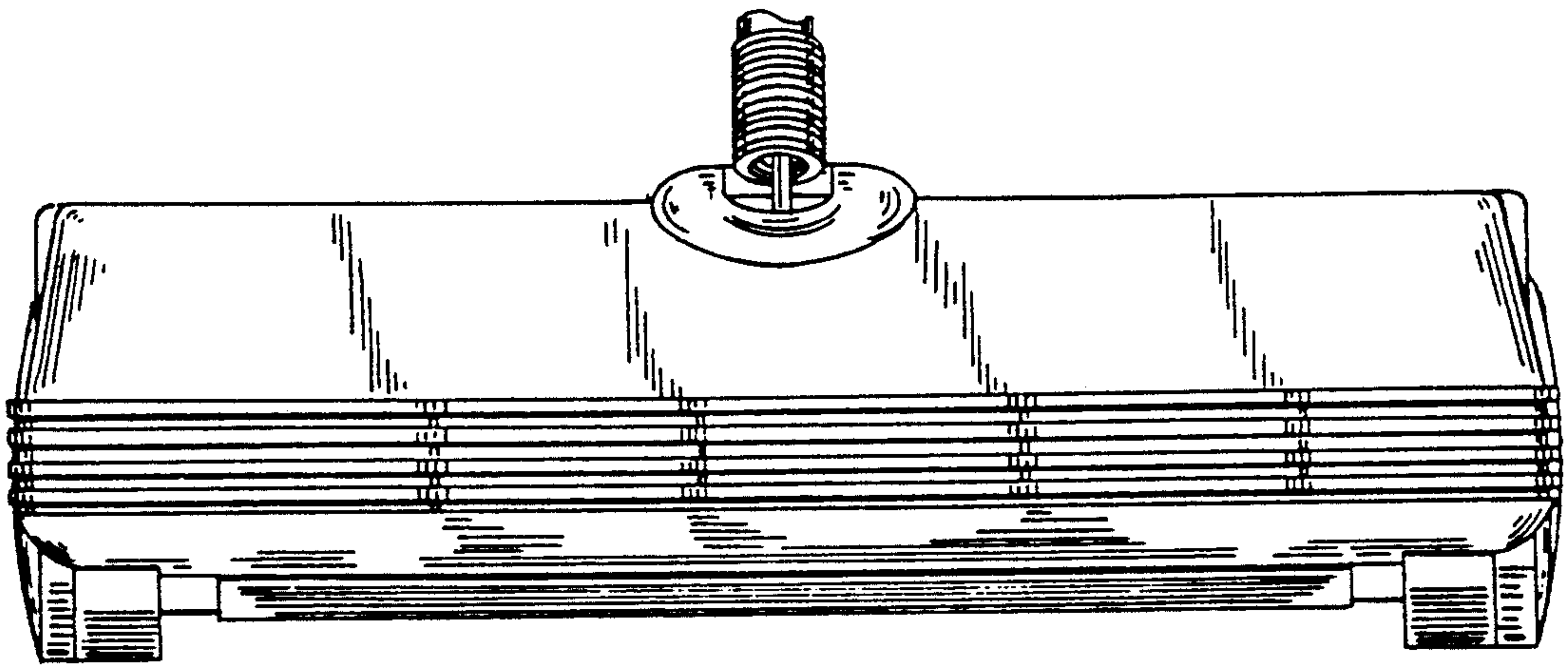


FIG. 8

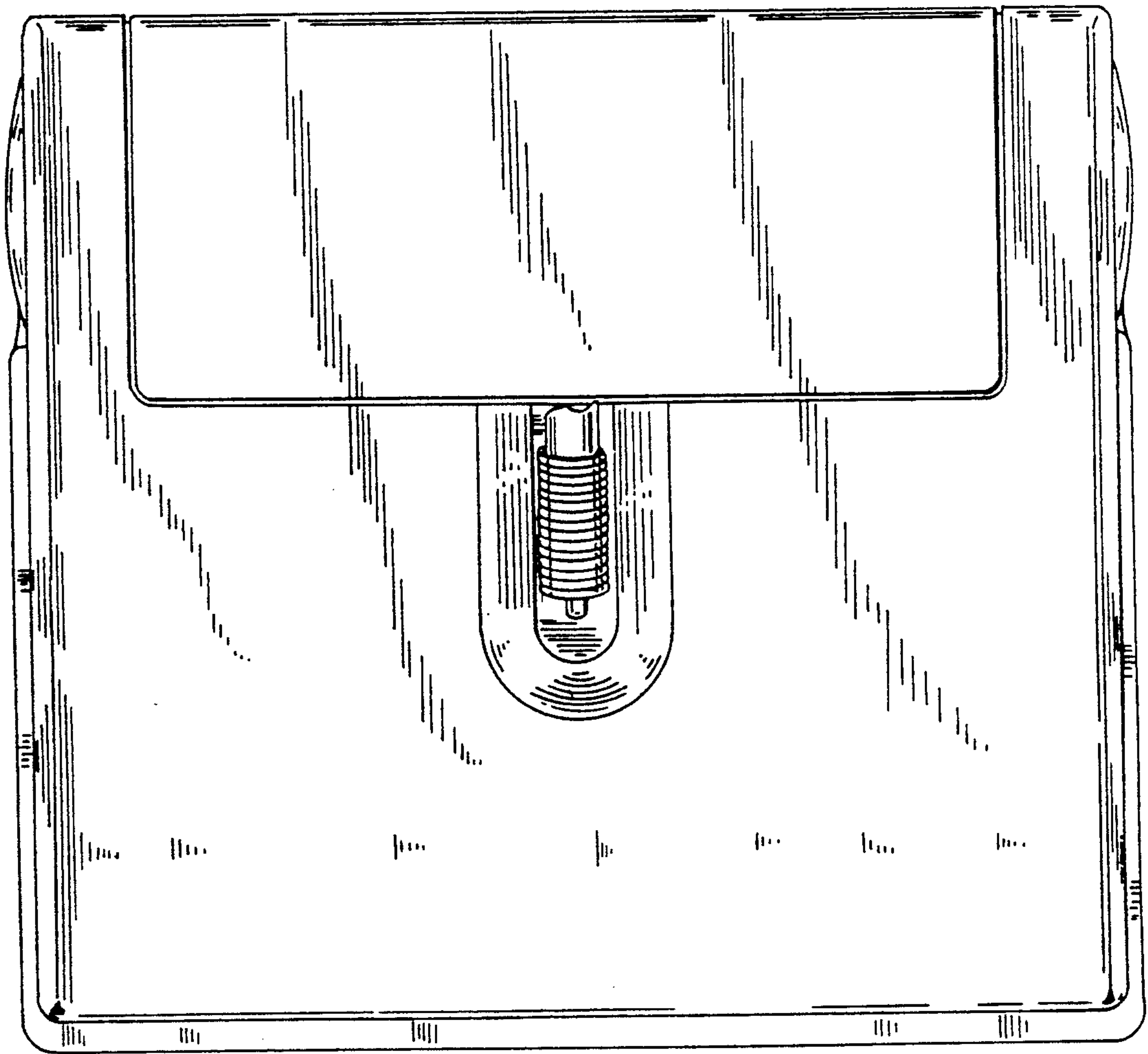


FIG. 9