



US00D342810S

United States Patent [19]

[11] Patent Number: **Des. 342,810**

Berenson

[45] Date of Patent: **** Dec. 28, 1993**

[54] **DIVE MASK**

D. 315,619 3/1991 Goldman D29/9

[75] Inventor: **Steven Berenson, Sharon, Mass.**

Primary Examiner—Kay H. Chin
Attorney, Agent, or Firm—Wolf, Greenfield & Sacks

[73] Assignee: **Aqua-Leisure Industries, Inc., Avon, Mass.**

[57] **CLAIM**

[**] Term: **14 Years**

The ornamental design for a dive mask, as shown and described.

[21] Appl. No.: **897,347**

DESCRIPTION

[22] Filed: **Jun. 11, 1992**

[52] U.S. Cl. **D29/9**

[58] Field of Search **D29/8, 9; D16/107, 102, D16/108, 110, 112, 117; 2/12, 13, 427, 428, 439**

FIG. 1 is a right side perspective view of a dive mask in accordance with a preferred embodiment of this invention;

FIG. 2 is a front view thereof;

FIG. 3 is a right side view thereof, with a left side view being a mirror image thereof;

FIG. 4 is a rear view thereof;

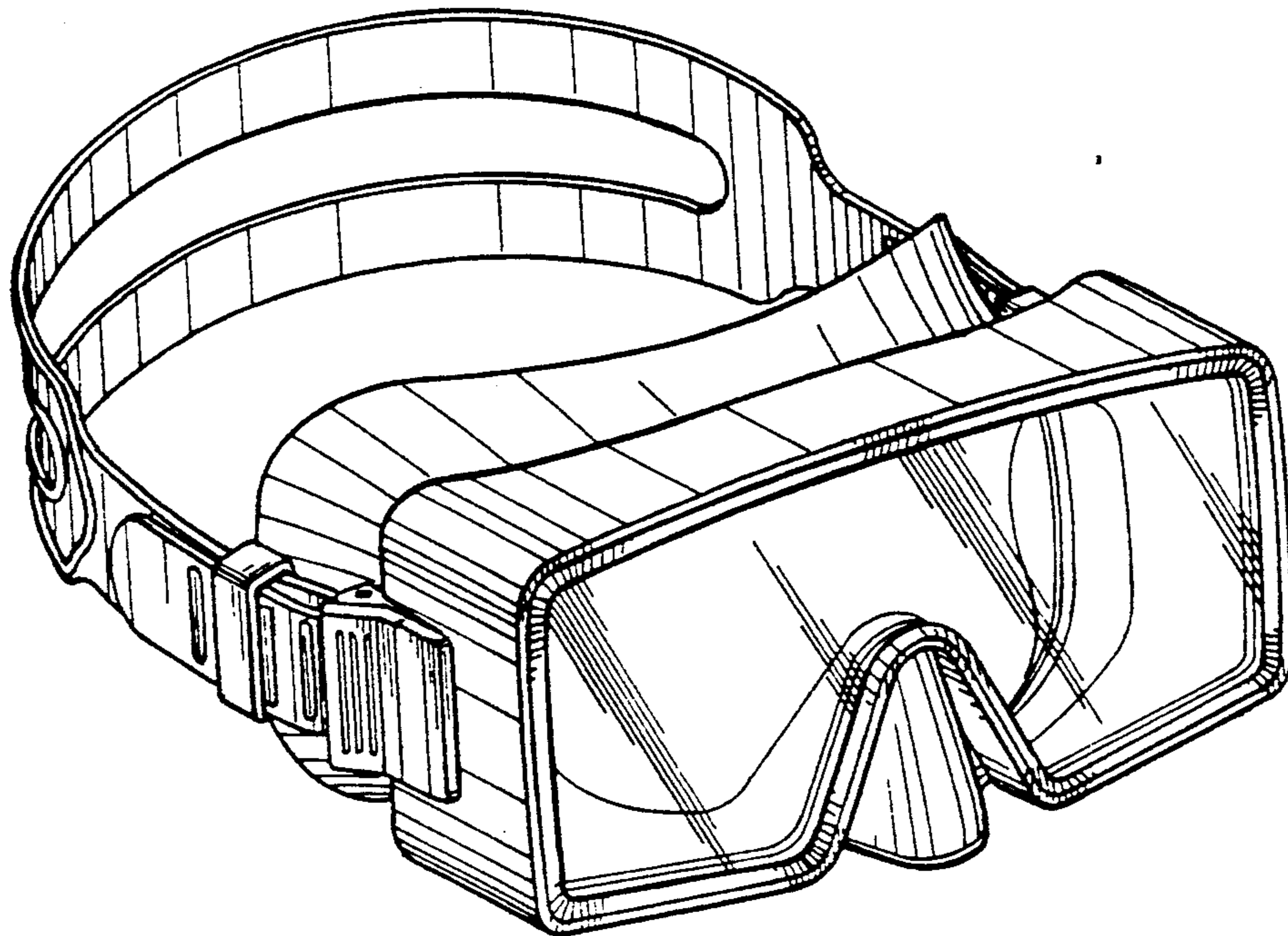
FIG. 5 is a top view thereof; and,

FIG. 6 is a bottom view thereof.

[56] **References Cited**

U.S. PATENT DOCUMENTS

- D. 290,763 7/1987 Walsh D29/9
- D. 309,804 8/1990 Chang D29/9



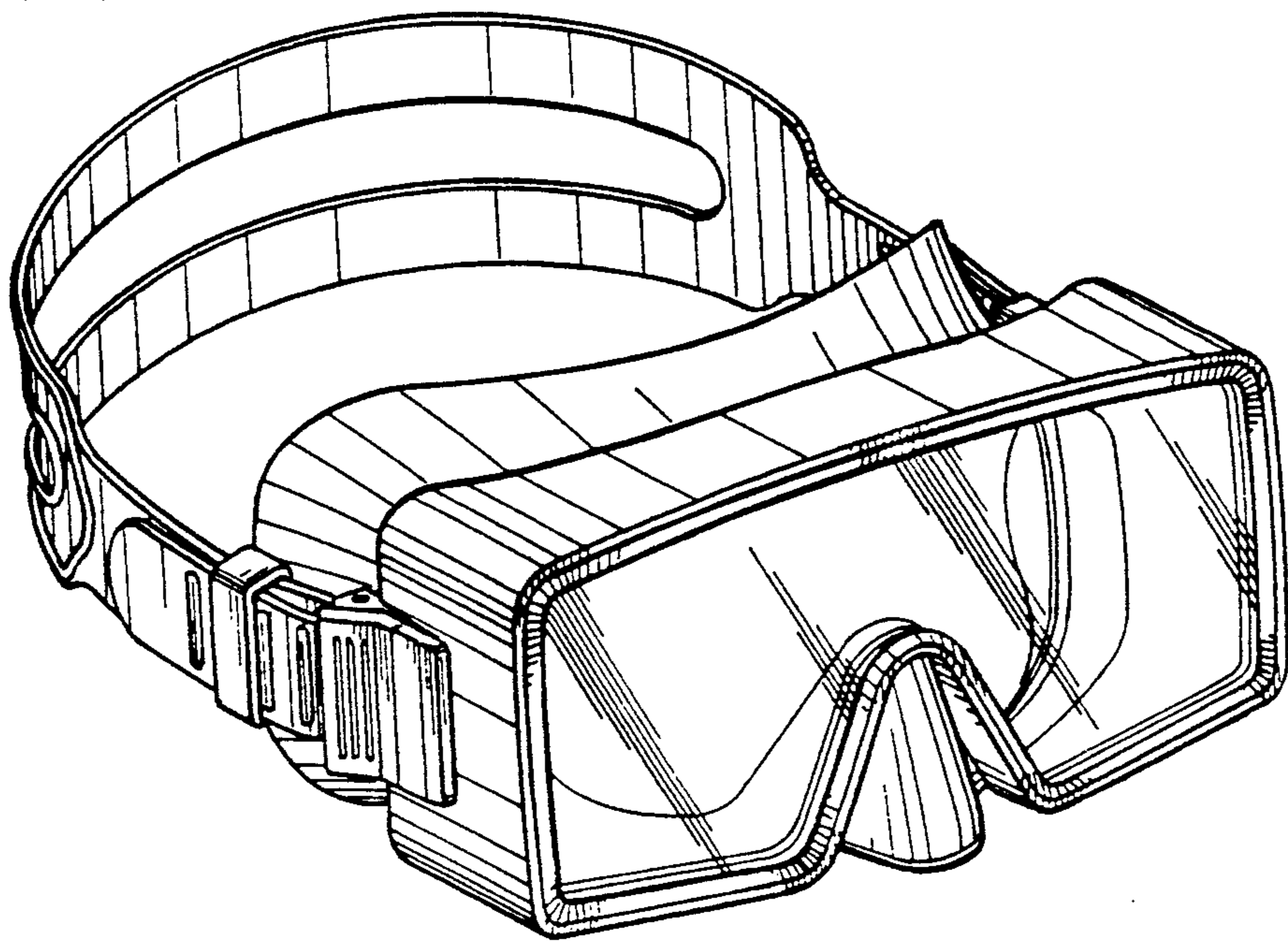


Fig. 1

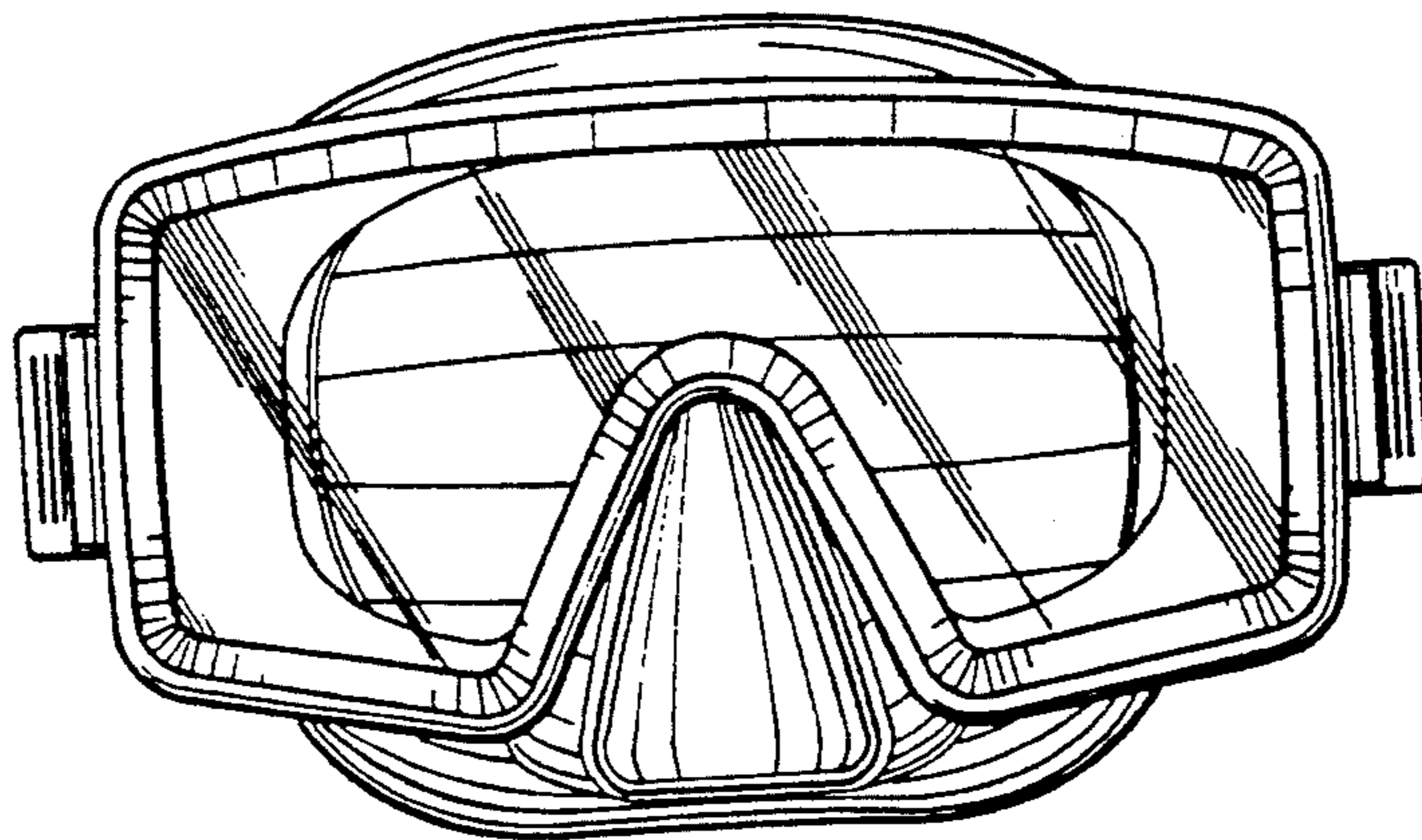


Fig. 2

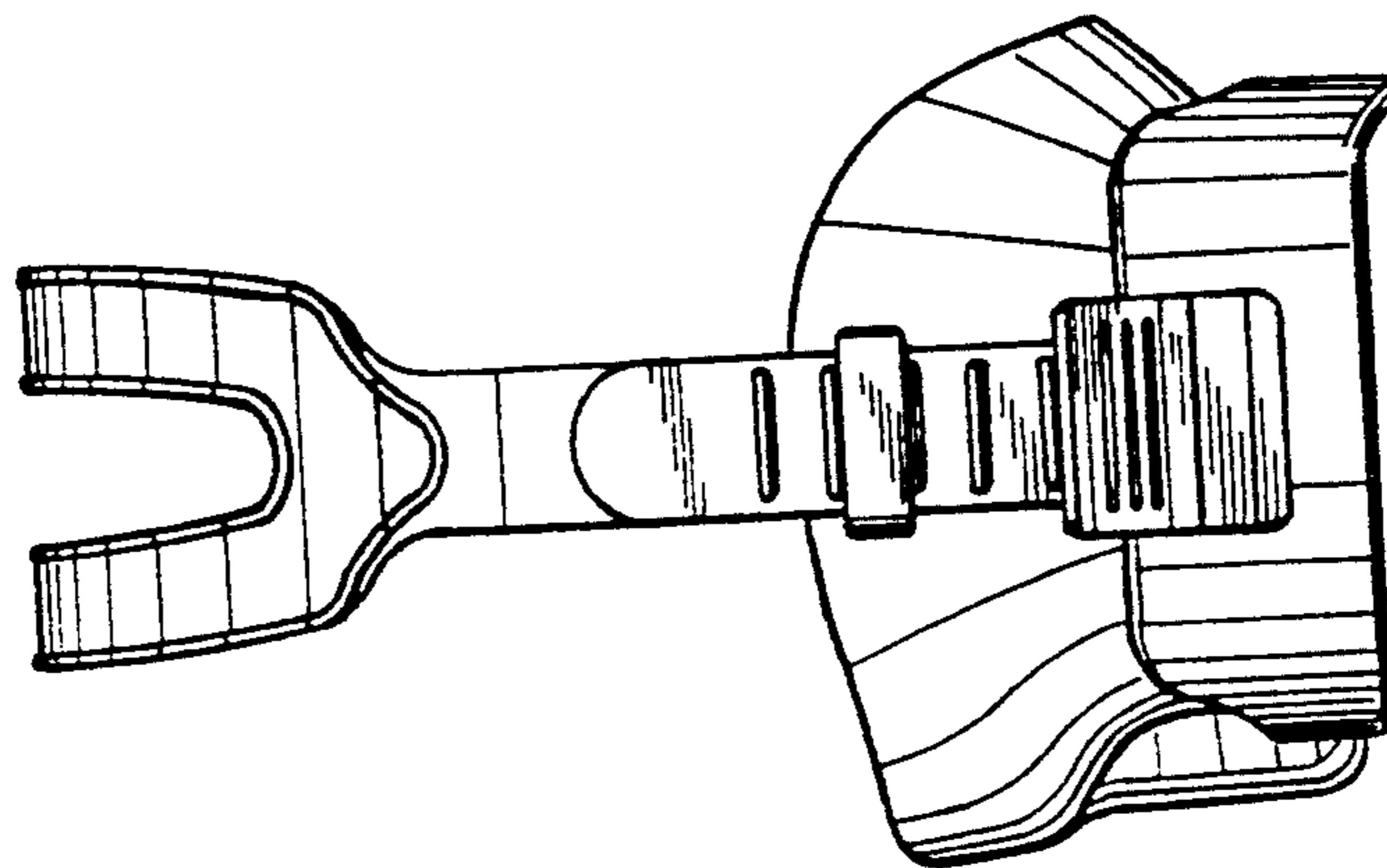


Fig. 3

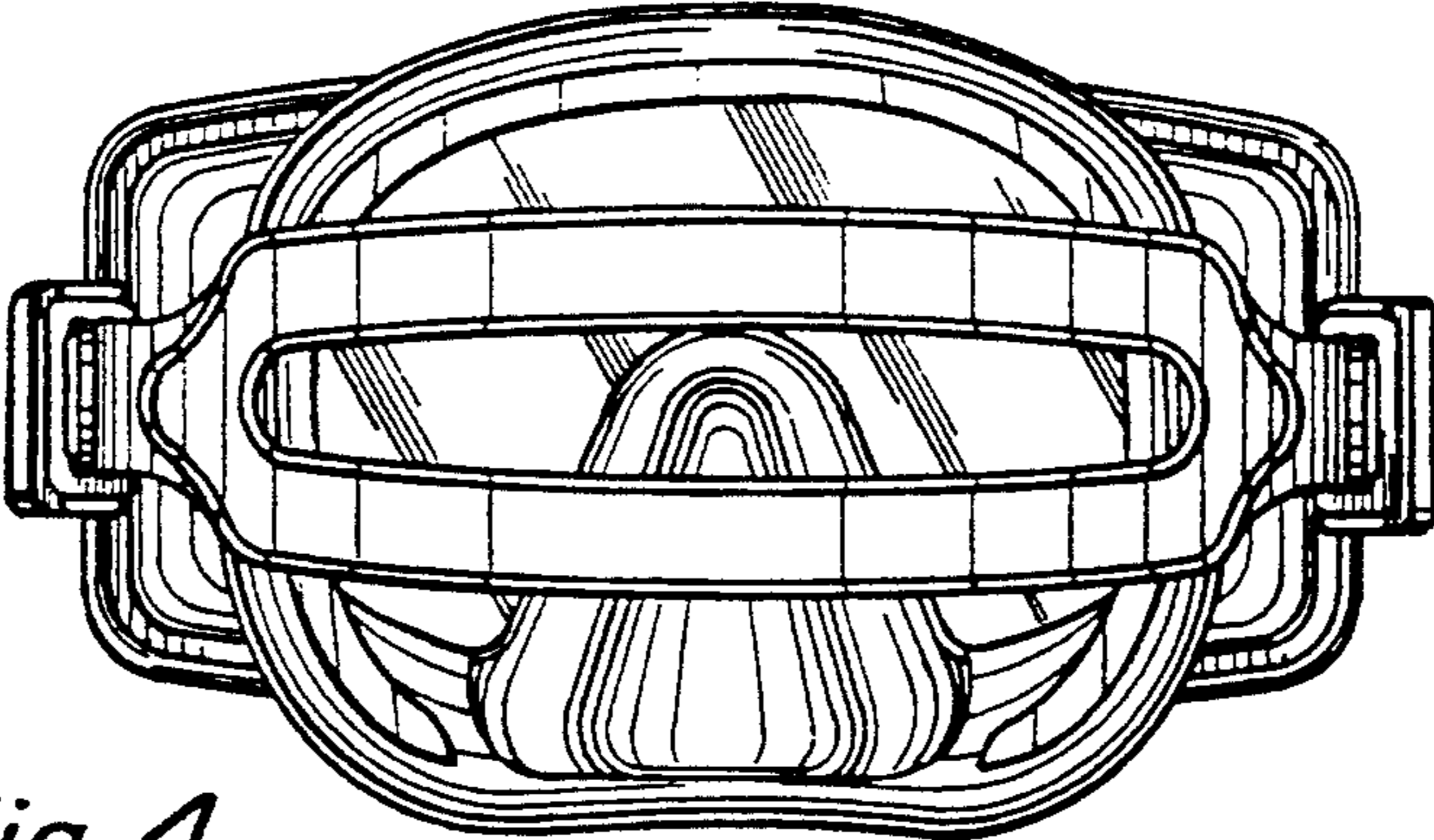


Fig. 4

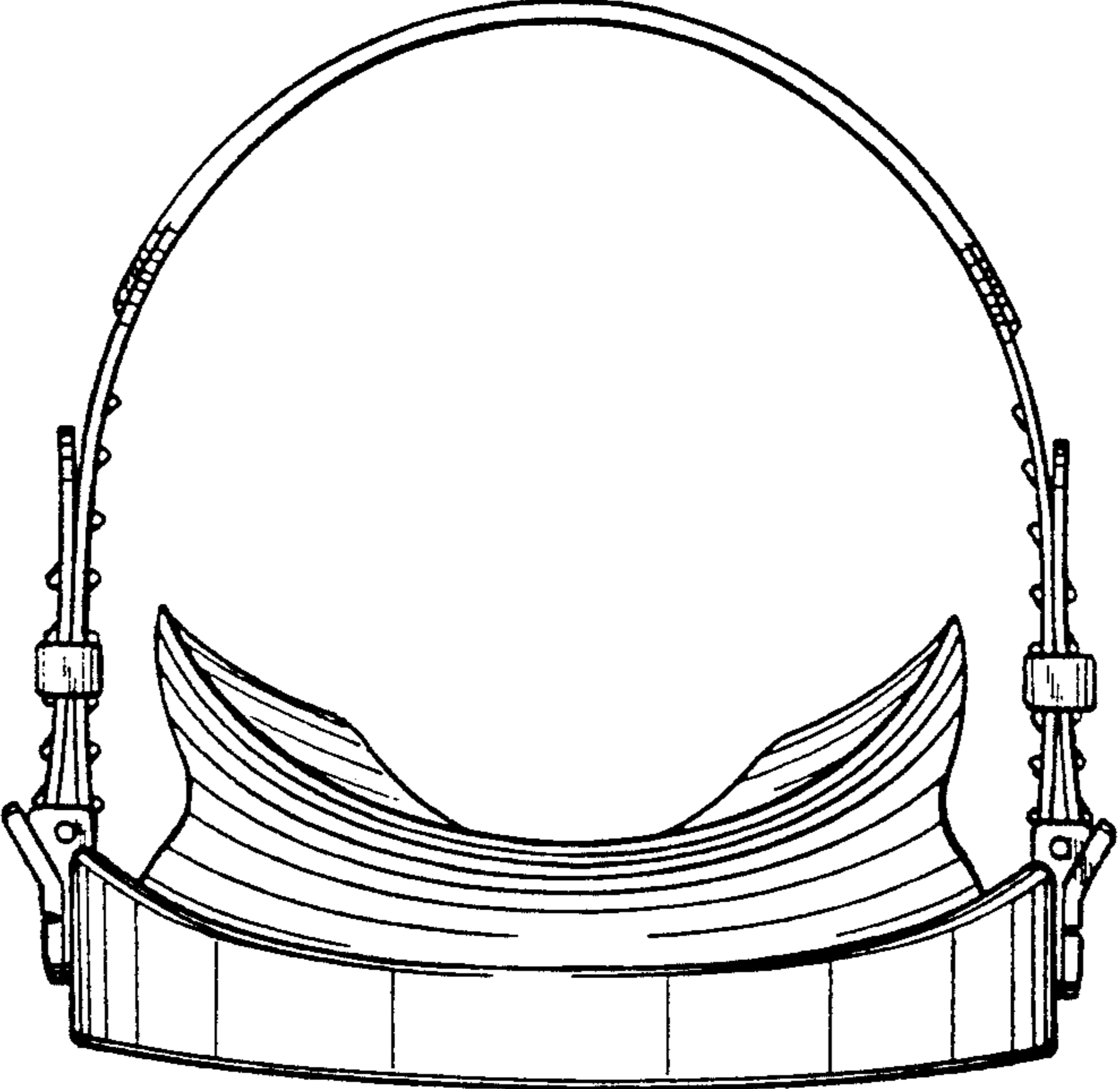


Fig. 5

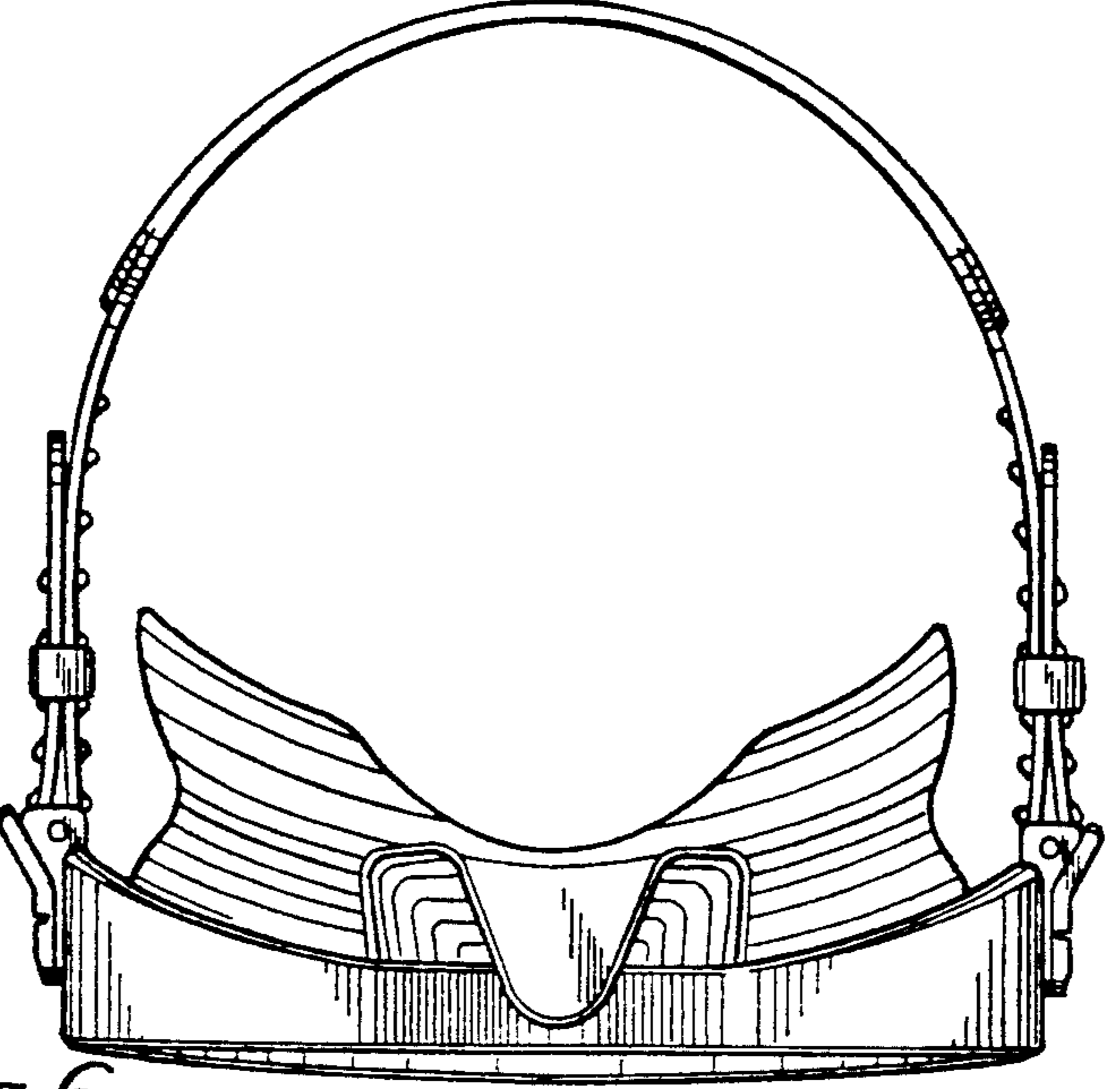


Fig. 6