



US00D342807S

United States Patent [19]

[11] Patent Number: **Des. 342,807**

Smith

[45] Date of Patent: **** Dec. 28, 1993**

[54] **DISPOSABLE RAZOR**

2,309,549 1/1943 Swann 30/85 X
4,129,942 12/1978 Denizman 30/41.

[76] Inventor: **Charles L. Smith, 6770 E. 1st St.,
Walhalla, Mich. 49458**

Primary Examiner—Bernard Ansher
Assistant Examiner—C. Tuttle
Attorney, Agent, or Firm—Terry M. Gernstein

[**] Term: **14 Years**

[21] Appl. No.: **578,858**

[57] **CLAIM**

[22] Filed: **Sep. 6, 1990**

The ornamental design for a disposable razor, as shown and described.

[52] U.S. Cl. **D28/46**

[58] Field of Search **D28/44-49;**
30/32, 34.05, 48, 49, 50, 76, 80, 83, 85

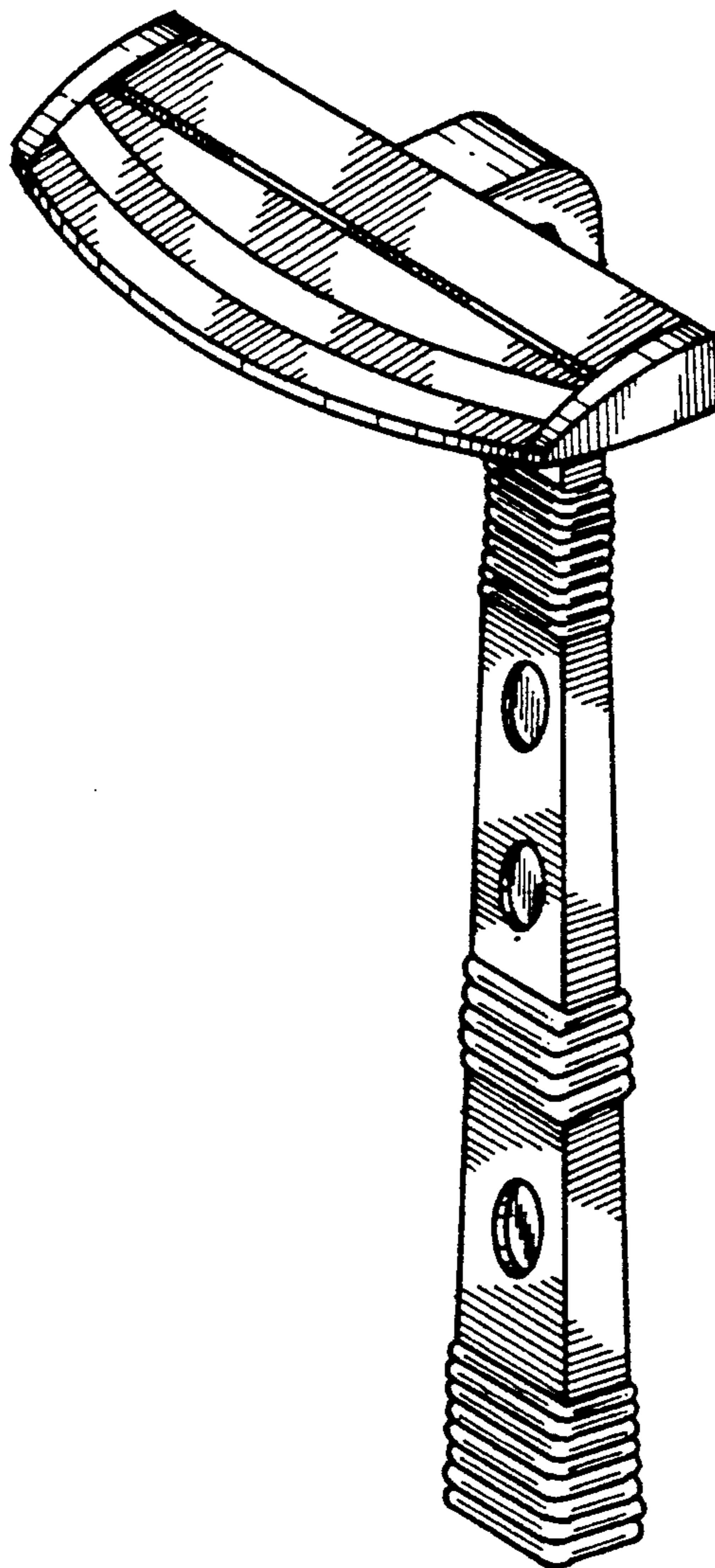
DESCRIPTION

[56] **References Cited**

FIG. 1 is a perspective view of a disposable razor showing my new design;
FIG. 2 is a front elevational view thereof;
FIG. 3 is a rear elevational view thereof;
FIG. 4 is a side elevational view thereof; the side opposite being a mirror image of the side shown;
FIG. 5 is a top plan view thereof; and,
FIG. 6 is a bottom view thereof.

U.S. PATENT DOCUMENTS

D. 178,977	10/1956	Williamson	D8/303
D. 273,428	4/1984	Ferretti	D28/46
D. 313,672	1/1991	Tiegs	D28/46
1,455,674	5/1923	Short	30/49 X
1,655,437	1/1928	Schick	206/228 X



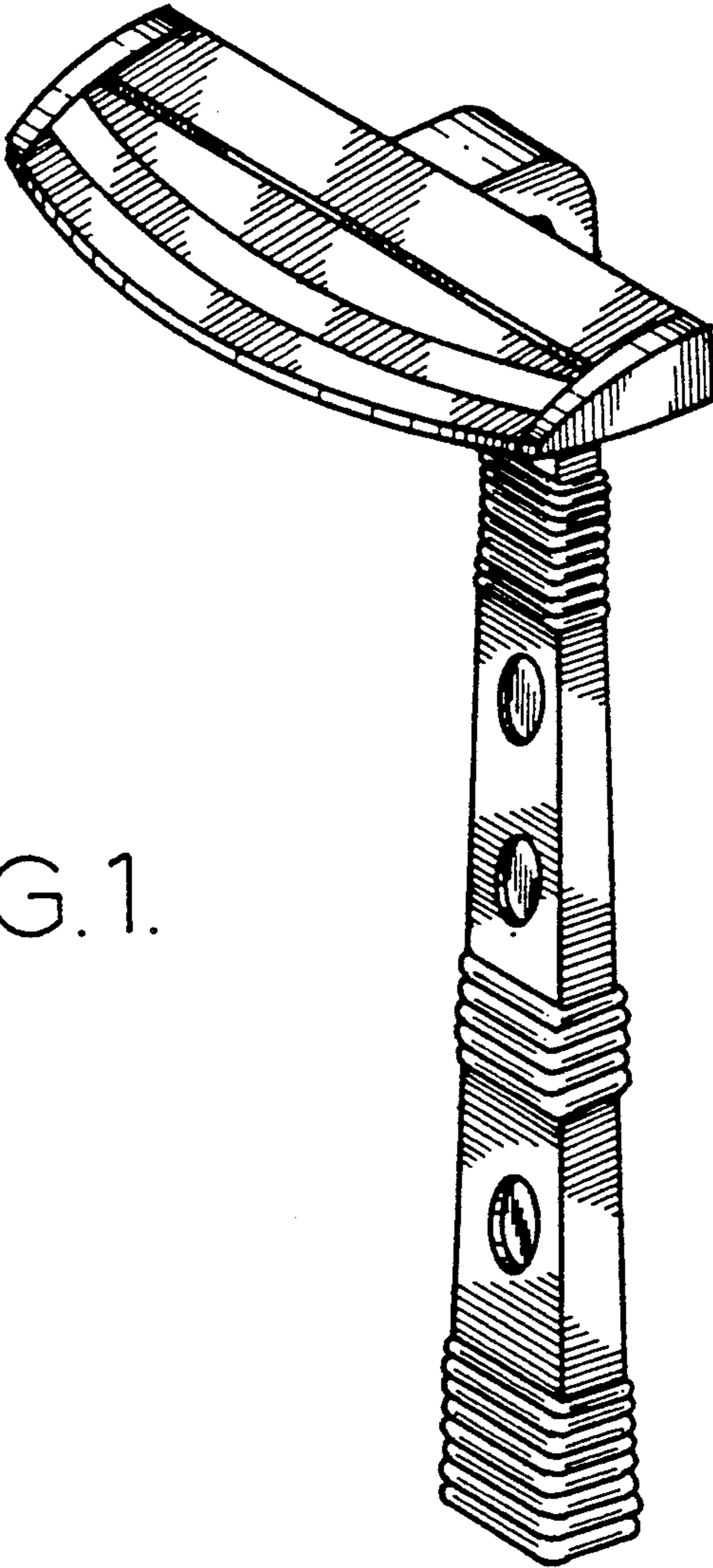


FIG. 1.

FIG. 4.

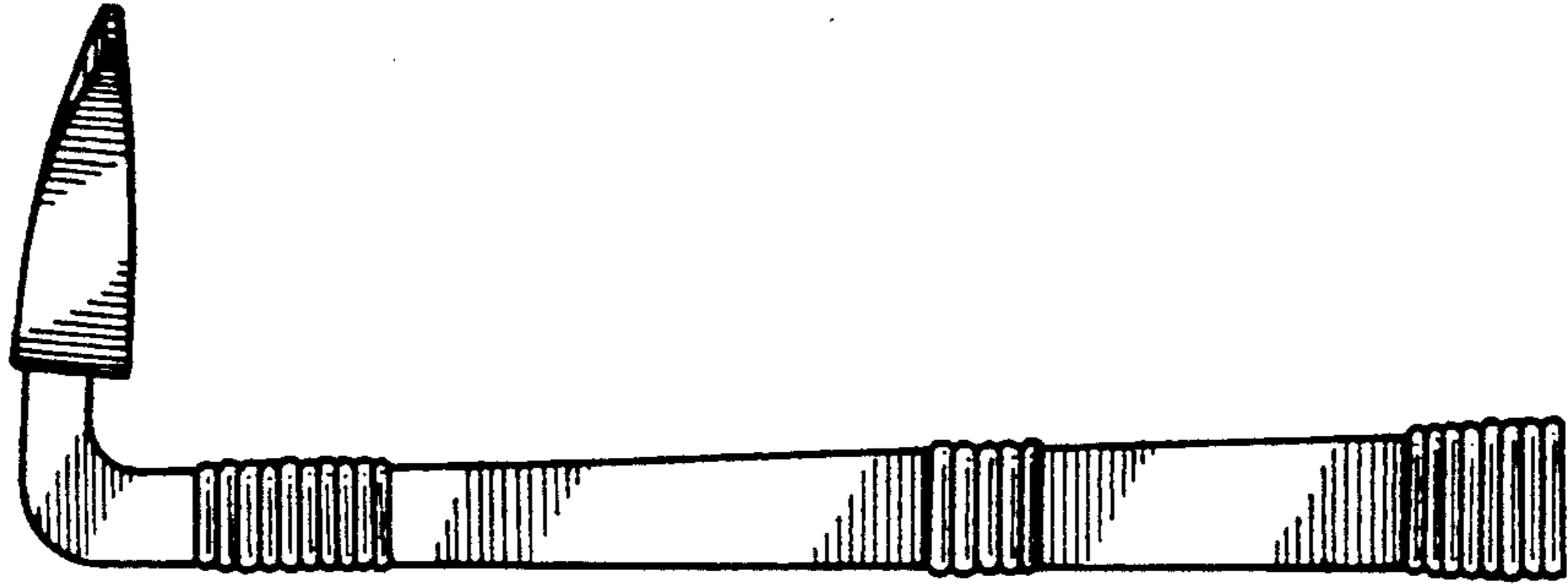


FIG. 2.

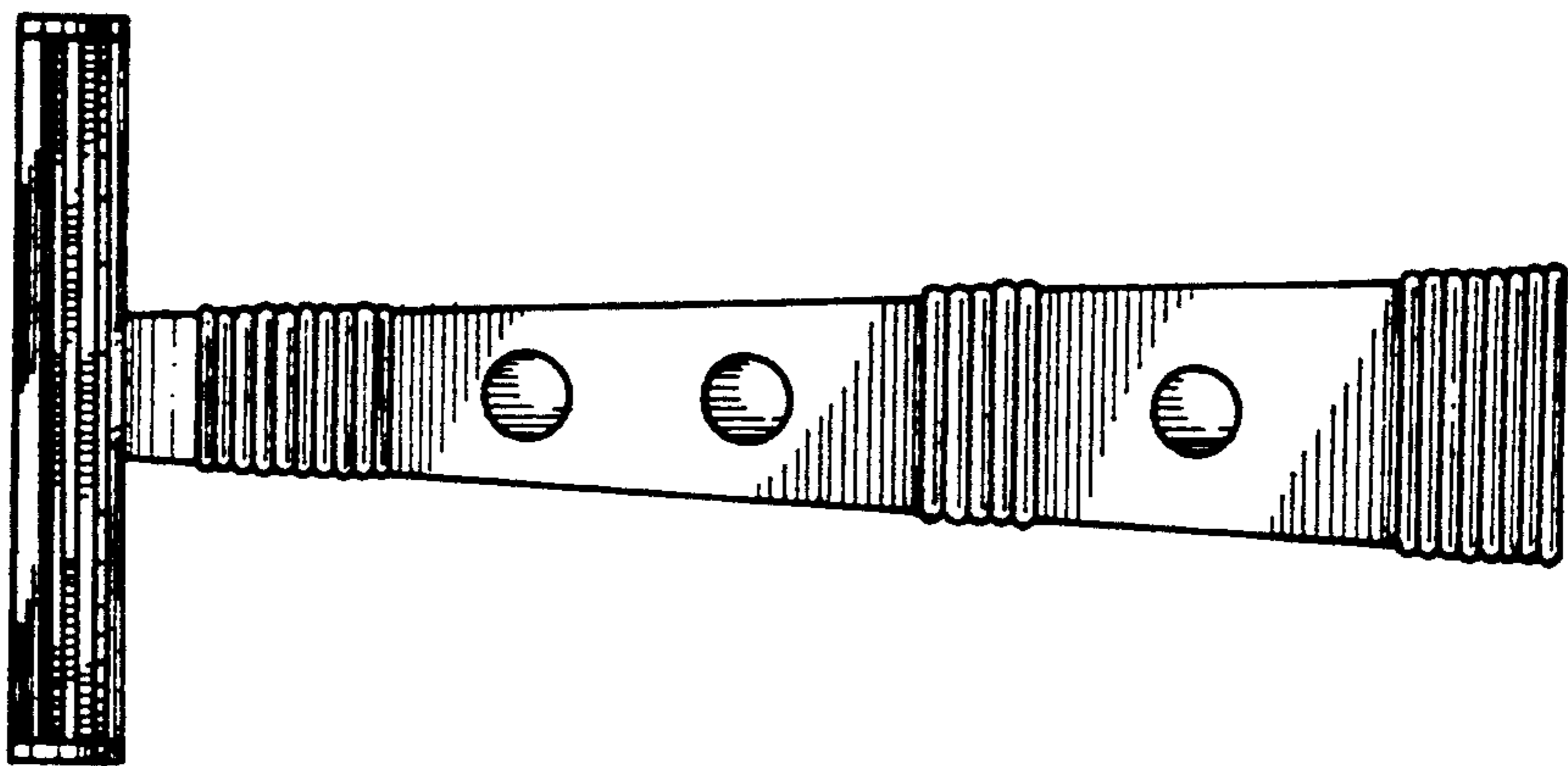


FIG. 5.

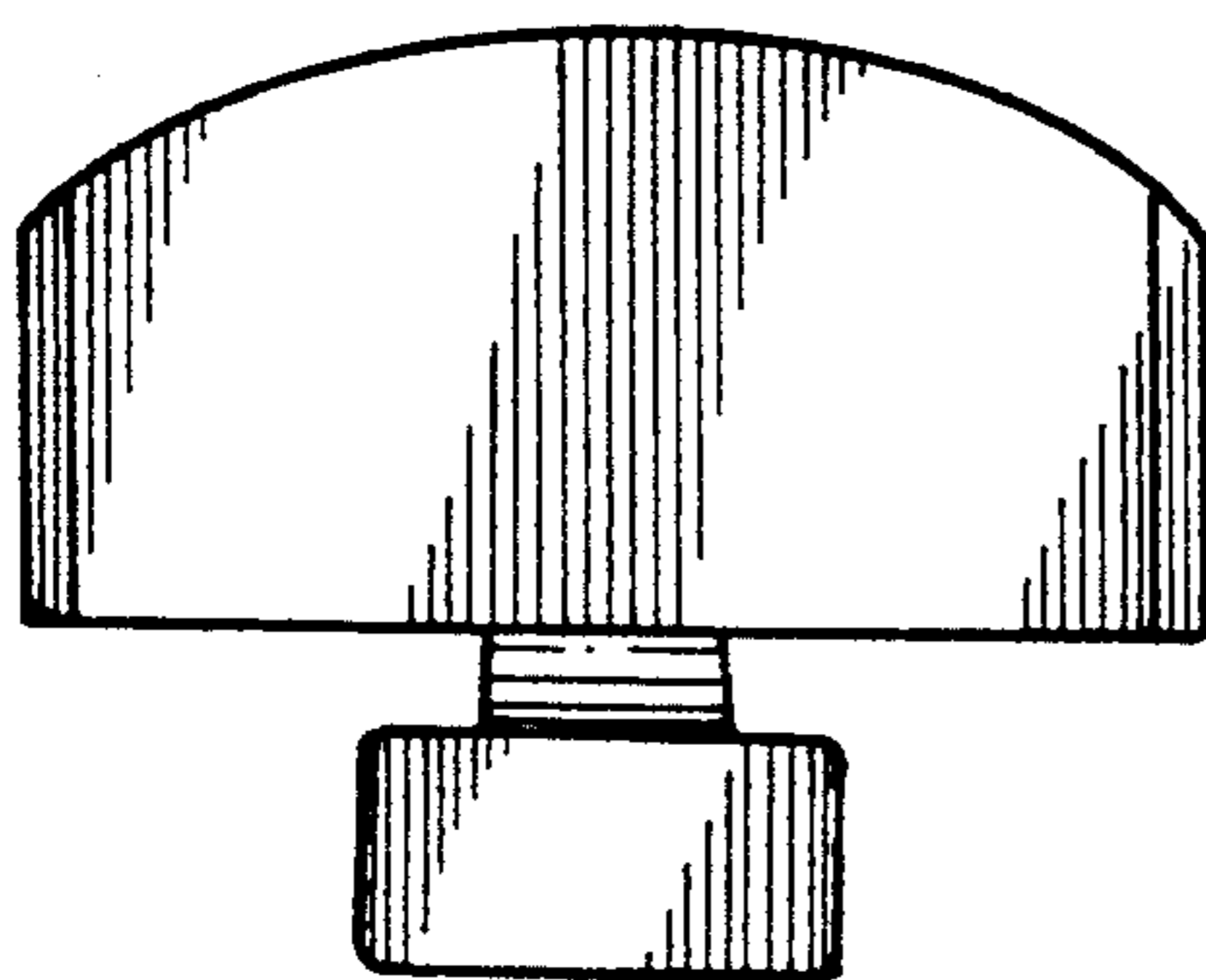


FIG. 6.

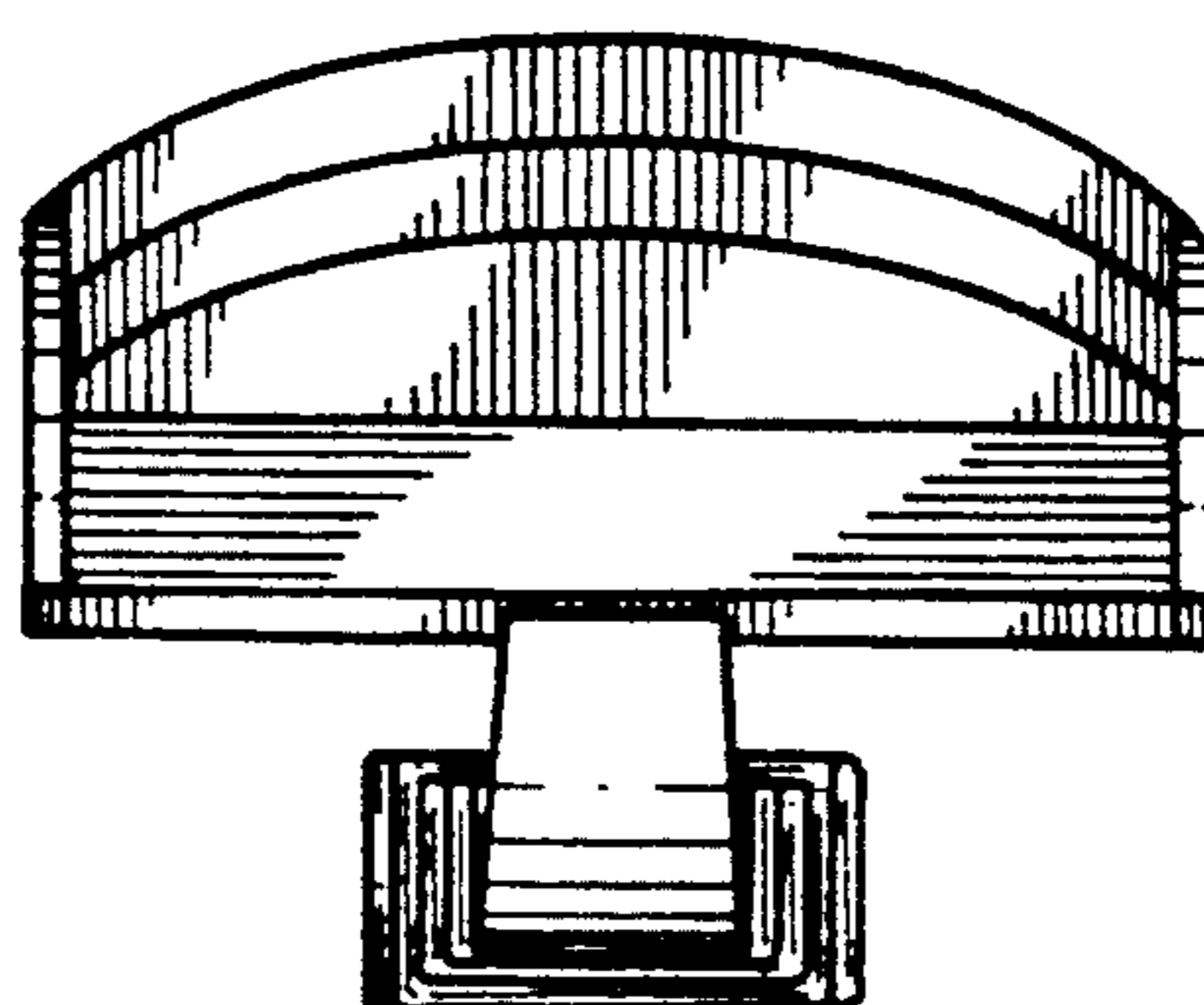


FIG. 3.

