



US00D342806S

United States Patent [19]

[11] Patent Number: **Des. 342,806**

Jones et al.

[45] Date of Patent: **** Dec. 28, 1993**

[54] **COSMETIC TRAY**

[76] Inventors: **Errol A. Jones; Barbara J. Jones,**
both of 45 Carolbreen Sq.,
Scarborough, Ontario M1V 1J1,
Canada

[**] Term: **14 Years**

[21] Appl. No.: **806,546**

[22] Filed: **Dec. 13, 1991**

[30] **Foreign Application Priority Data**

Jun. 13, 1991 [CA] Canada 1306912

[52] U.S. Cl. **D28/73; D7/551;**
D24/227; D28/61

[58] Field of Search **D28/56, 61, 73-75;**
D7/501, 543, 550, 553, 554, 587, 616, 619;
D24/226, 227, 229; D27/135; D34/40, 43;
206/563, 565

[56] **References Cited**

U.S. PATENT DOCUMENTS

D. 44,448 8/1913 Meinecke D24/123
D. 148,374 1/1948 Malco D28/73

D. 152,659 2/1949 Sloan D7/553
D. 162,888 4/1951 Sandberg D28/73
D. 169,072 3/1953 Kupinske et al. D28/75
D. 224,751 9/1972 Propst et al. D7/550
D. 329,924 9/1992 Lombardi, Jr. D28/77
2,112,669 3/1938 Halas D7/554 X
4,607,758 8/1986 Stevens 206/563 X

OTHER PUBLICATIONS

Cooking and Sanitary Wares; 1922, pp. 2H and 3H
Kidney Shaped Pans.

Primary Examiner—Bernard Ansher
Assistant Examiner—Mitchell Siegel

[57] **CLAIM**

The ornamental design for a cosmetic tray, as shown.

DESCRIPTION

FIG. 1 is a perspective view of a cosmetic tray showing
our new design;
FIG. 2 is a top view thereof;
FIG. 3 is a bottom view thereof;
FIG. 4 is a front view thereof;
FIG. 5 is a rear view thereof;
FIG. 6 is a left end view thereof; and,
FIG. 7 is a right end view thereof.

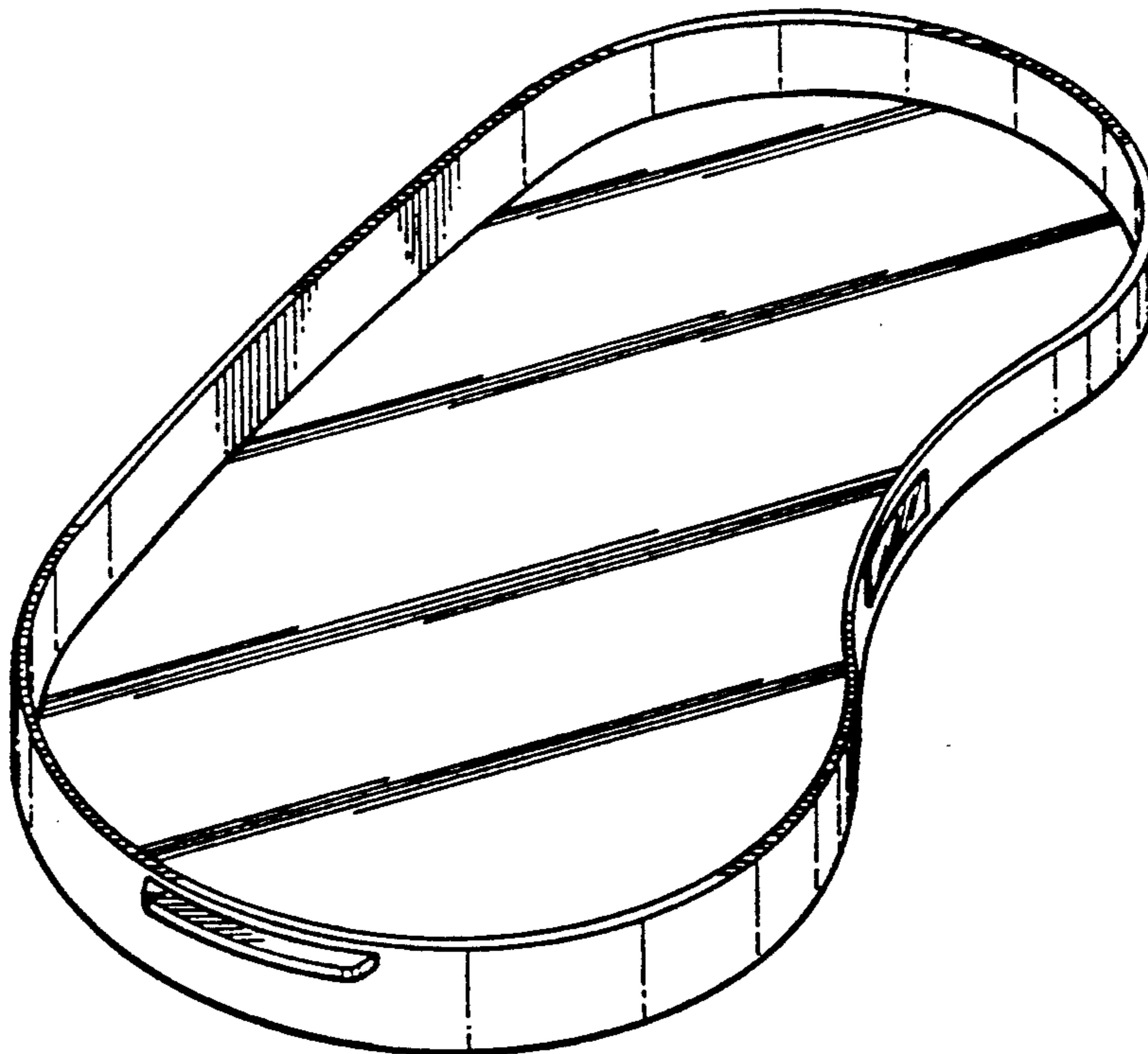


FIG.1.

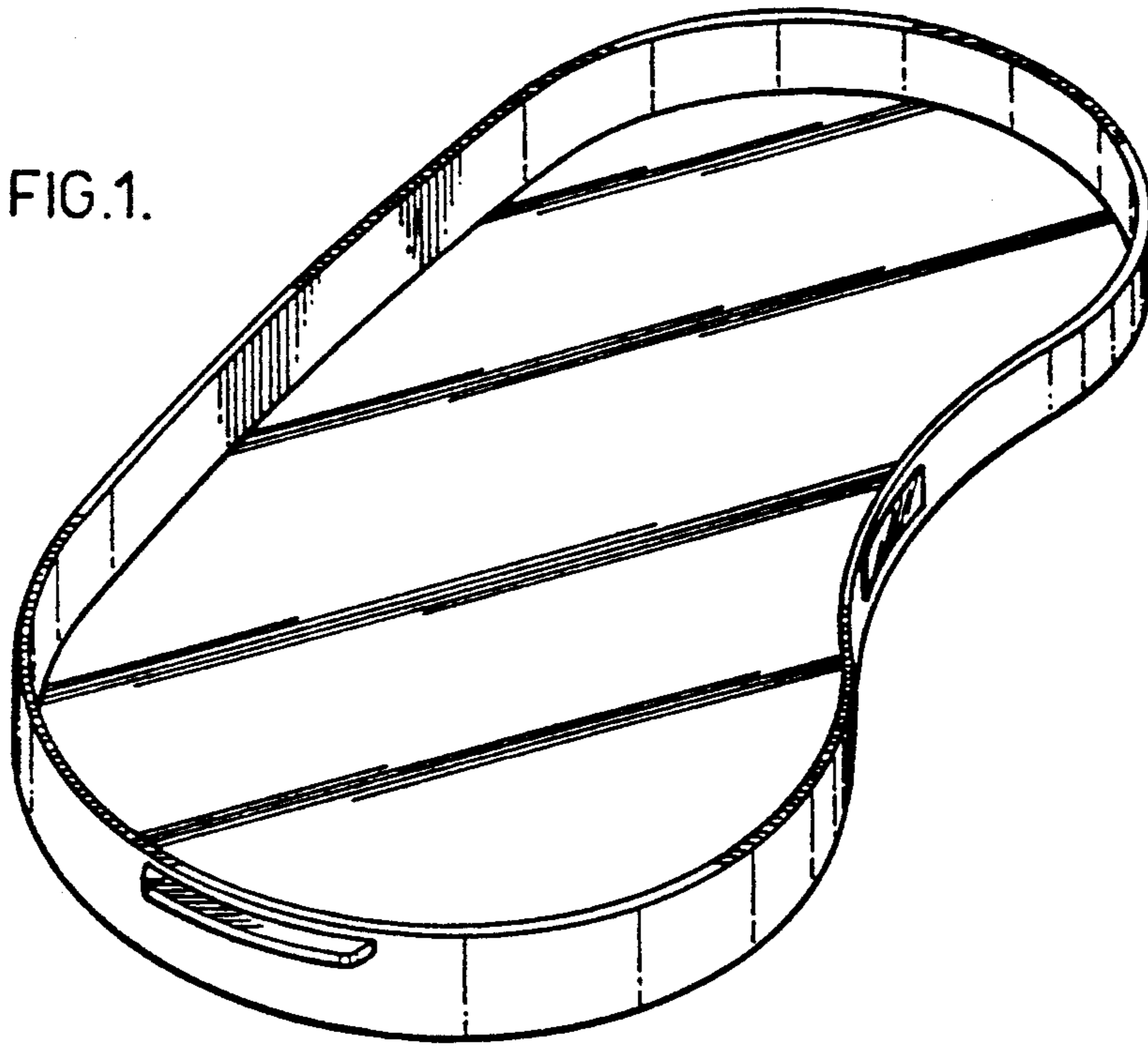


FIG.2.

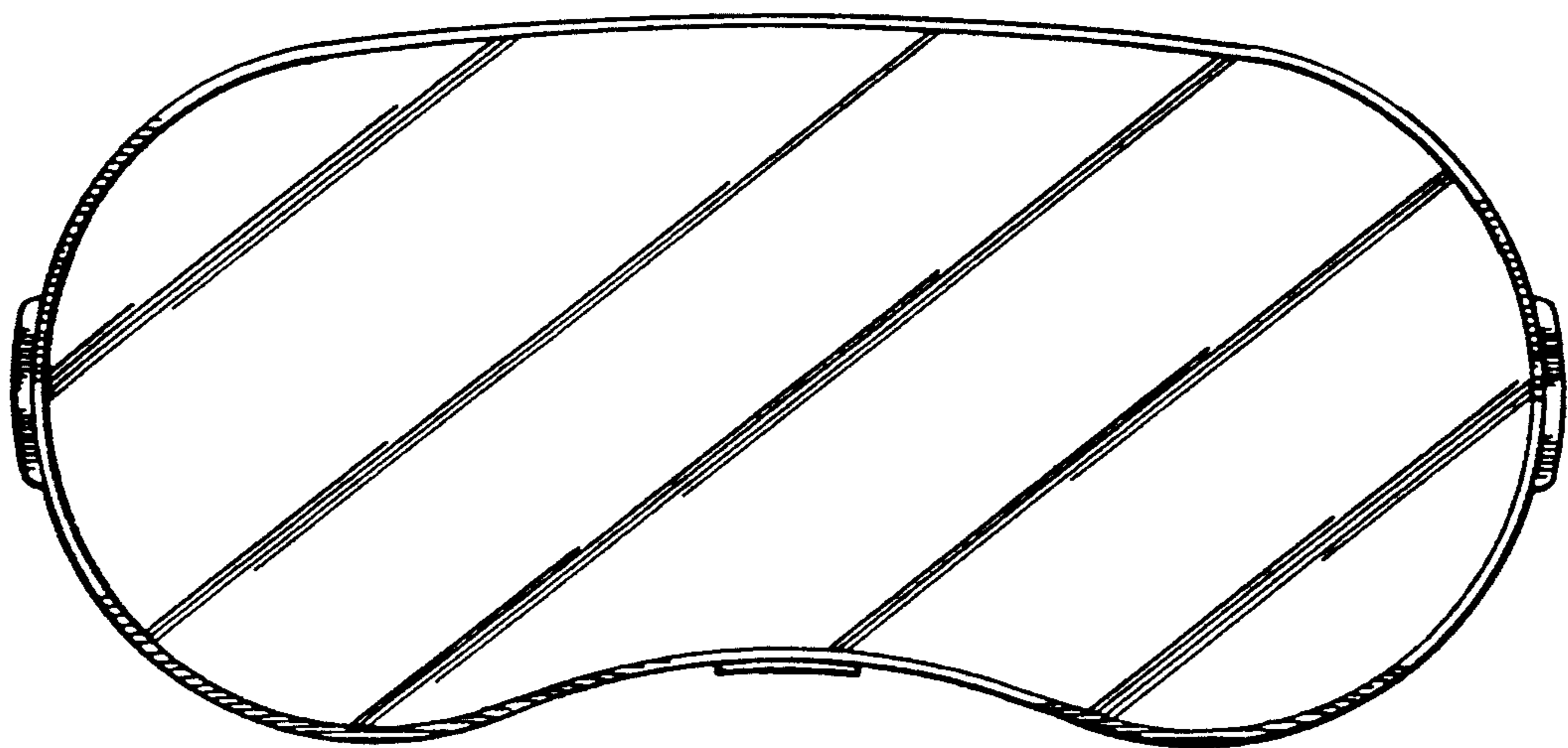


FIG. 3.

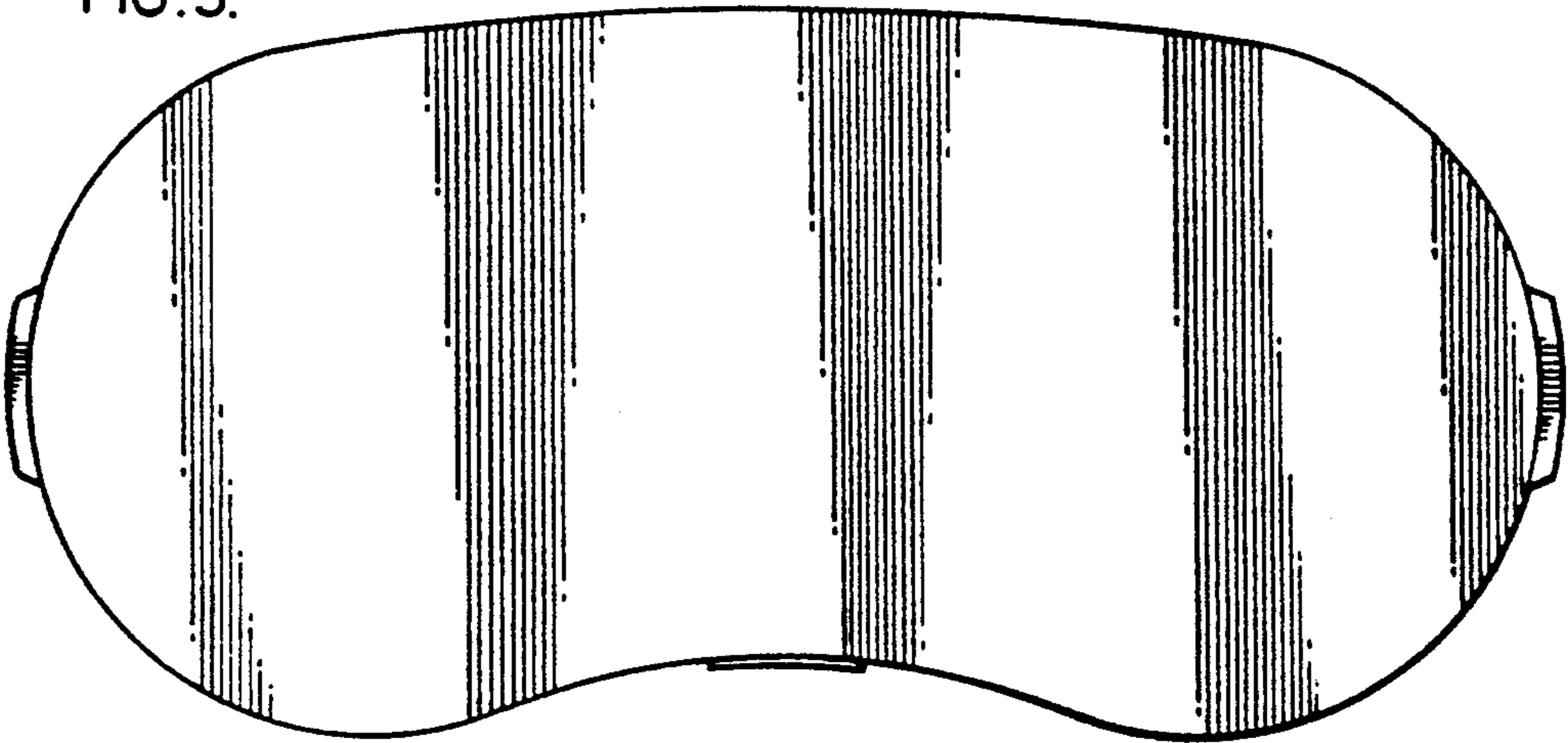


FIG. 4.



FIG. 5.



FIG. 6.

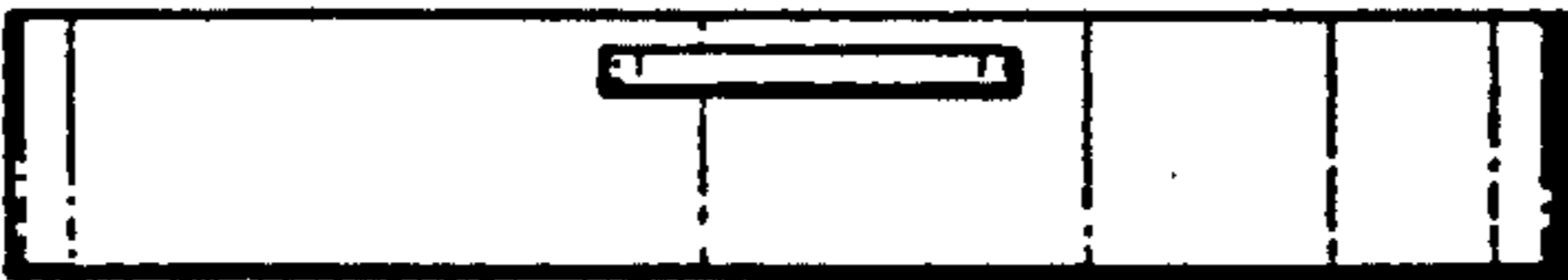


FIG. 7.

