



US00D342805S

United States Patent [19]

Heine et al.

[11] Patent Number: Des. 342,805

[45] Date of Patent: ** Dec. 28, 1993

- [54] TOBACCO HOOKAH
- [75] Inventors: **Randolph A. Heine; Sandra J. Dow,**
both of Pinellas Park, Fla.
- [73] Assignee: **New Traditions Pipe Company,**
Pinellas Park, Fla.
- [**] Term: **14 Years**
- [21] Appl. No.: **880,350**
- [22] Filed: **May 8, 1992**
- [52] U.S. Cl. **D27/162**
- [58] Field of Search **D27/162; 131/173, 179,**
131/192

4,044,781	8/1977	Heggestven	131/173
4,133,318	1/1979	Gross et al.	131/173
4,164,949	8/1979	Diven	131/173
4,164,950	8/1979	Bechtold	131/173 X
4,357,948	11/1982	Schweitzer et al.	131/173

Primary Examiner—Wallace R. Burke
Assistant Examiner—H. Baynham
Attorney, Agent, or Firm—Herbert W. Larson

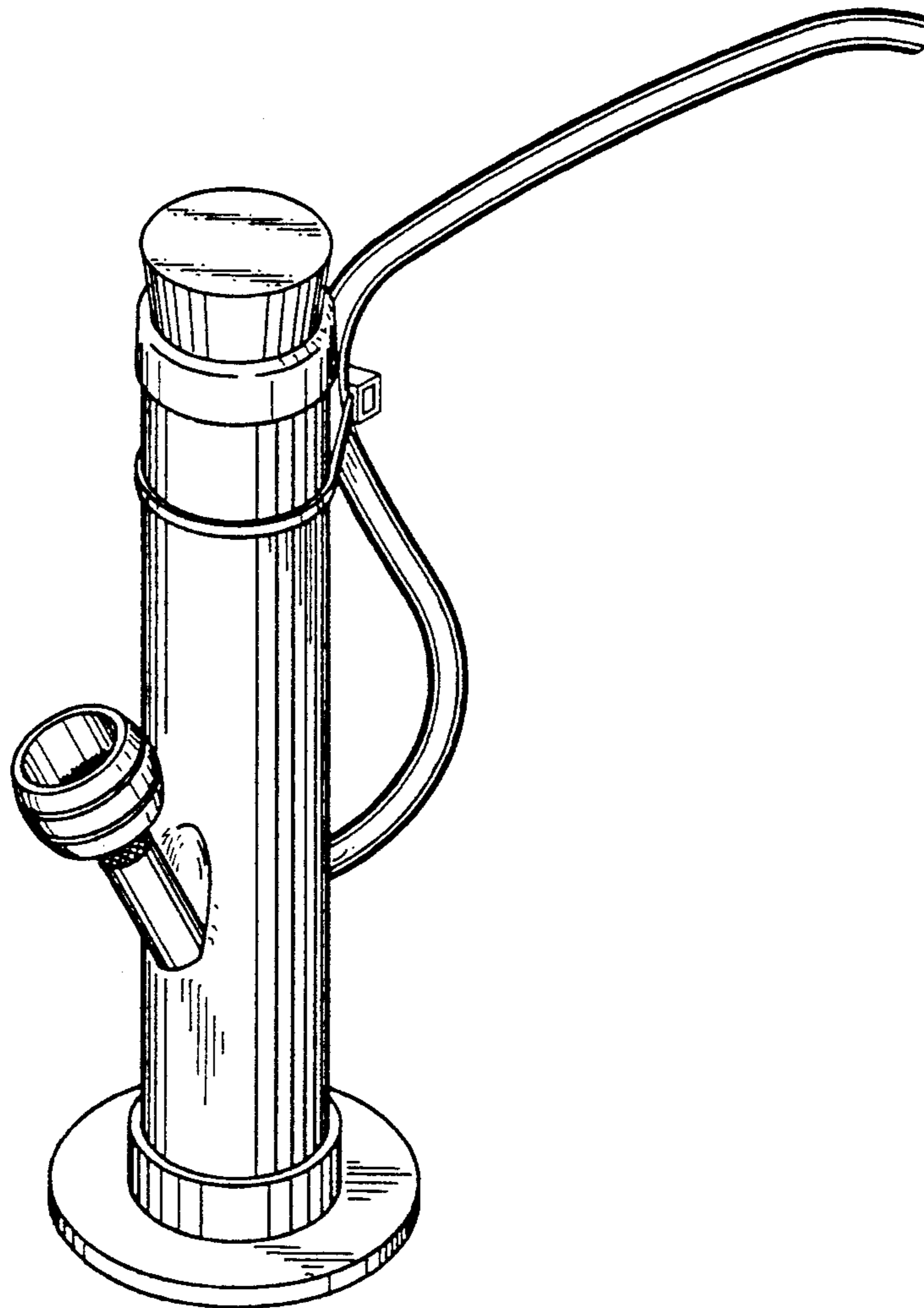
[57] CLAIM

The ornamental design for a tobacco hookah, as shown and described.

DESCRIPTION

FIG. 1 is a perspective view of the tobacco hookah, showing our new design;
 FIG. 2 is a front view thereof;
 FIG. 3 is a left side elevational view thereof;
 FIG. 4 is a right side elevational view thereof;
 FIG. 5 is a rear view thereof;
 FIG. 6 is a top plan view thereof; and,
 FIG. 7 is a bottom plan view.

- [56] **References Cited**
- U.S. PATENT DOCUMENTS**
- D. 231,640 5/1974 Kahler D27/162
- D. 249,070 8/1978 Evans D27/162
- D. 249,282 9/1978 Hielsen D27/162
- 3,881,499 5/1975 McFadden et al. 131/173
- 4,031,904 6/1977 Karl 131/173



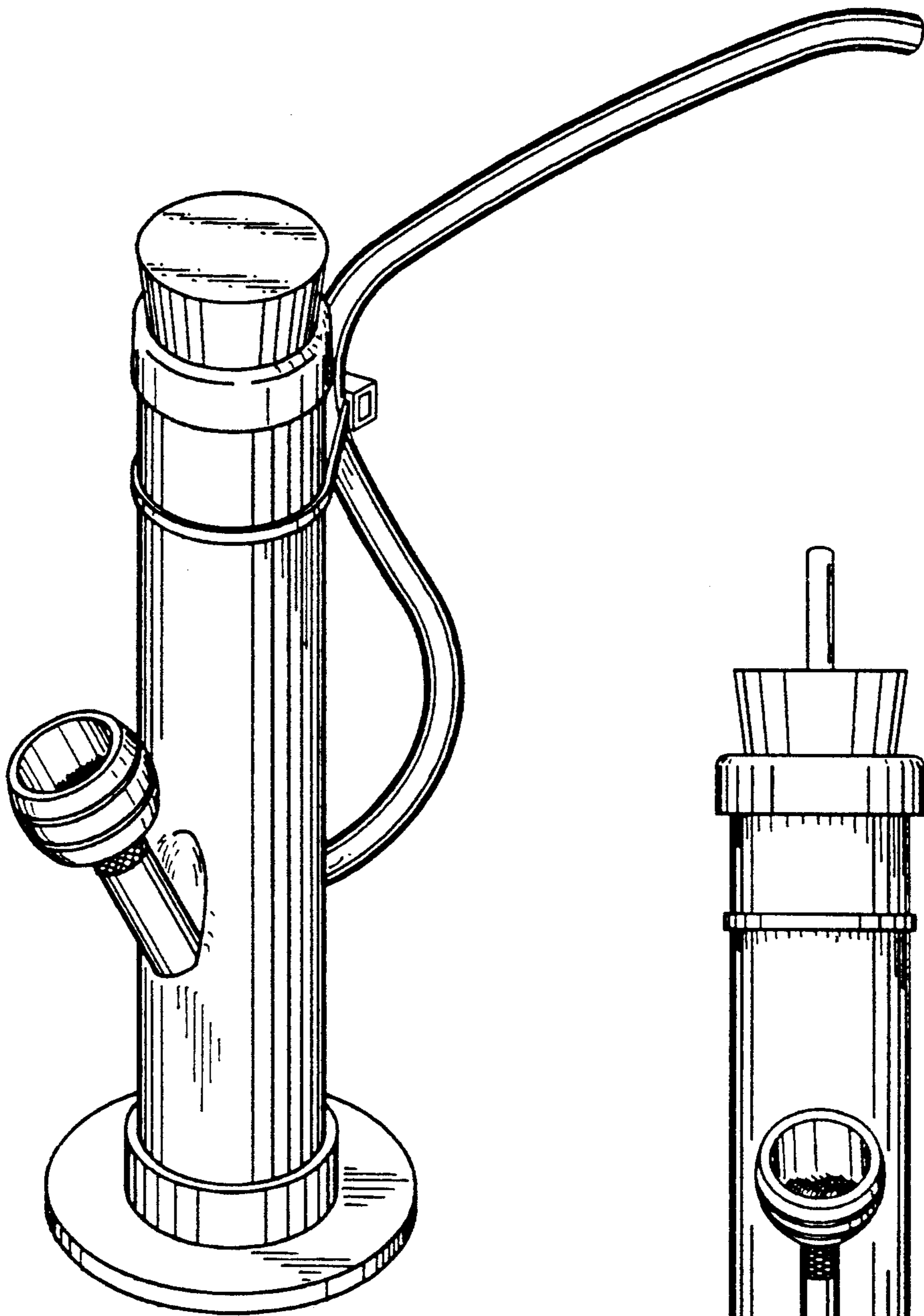


Fig. 1

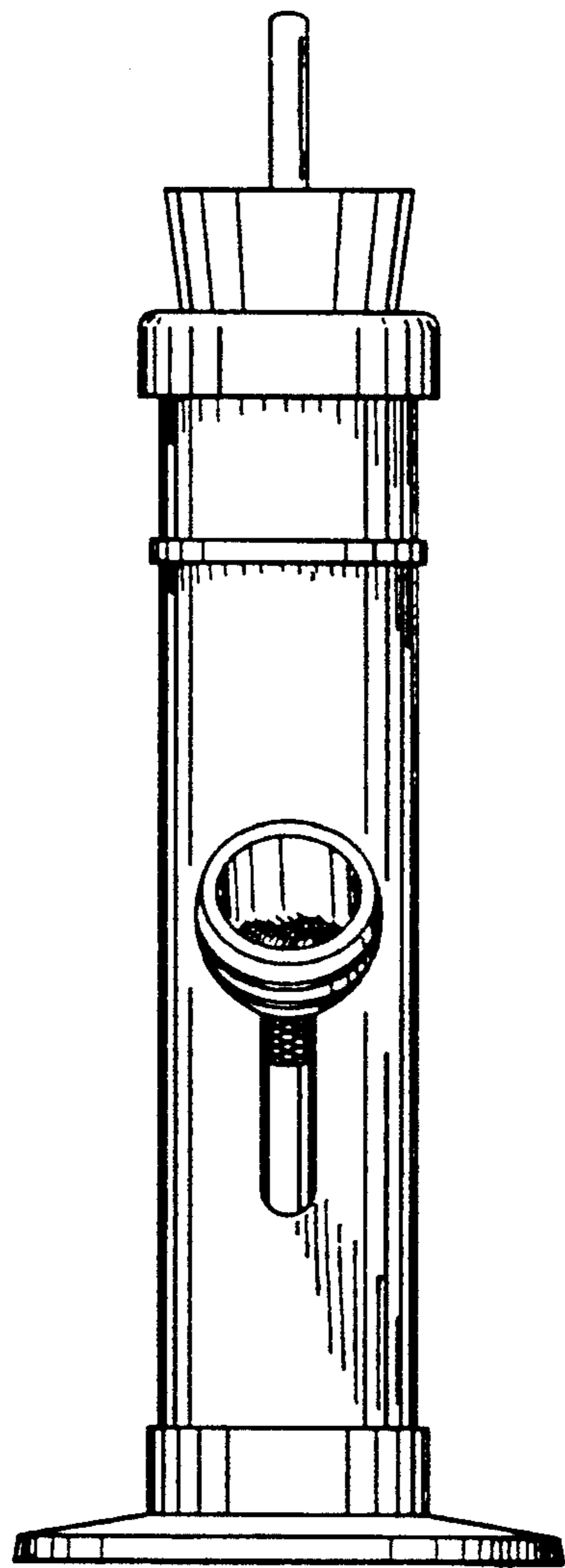


Fig. 2

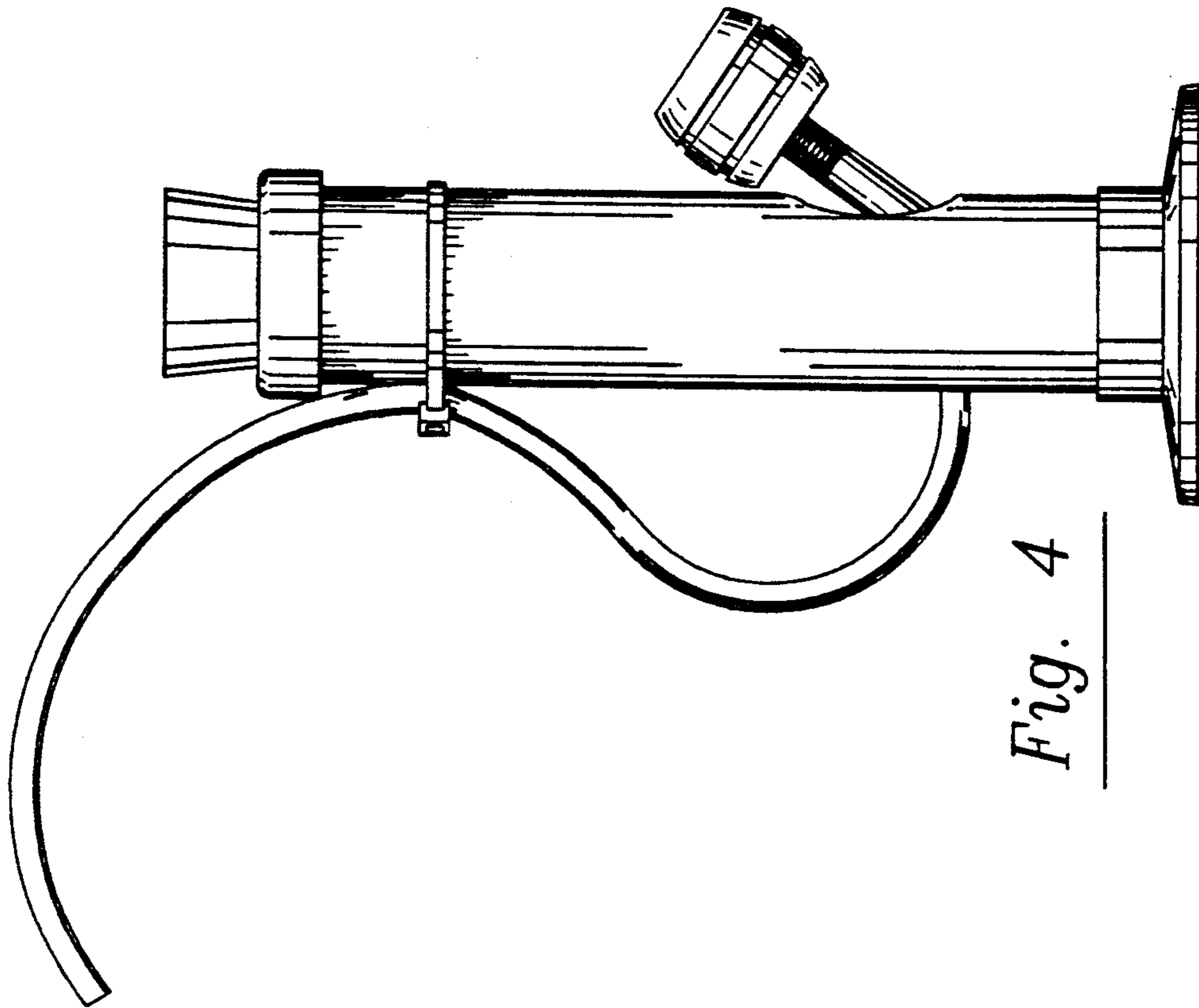


Fig. 3

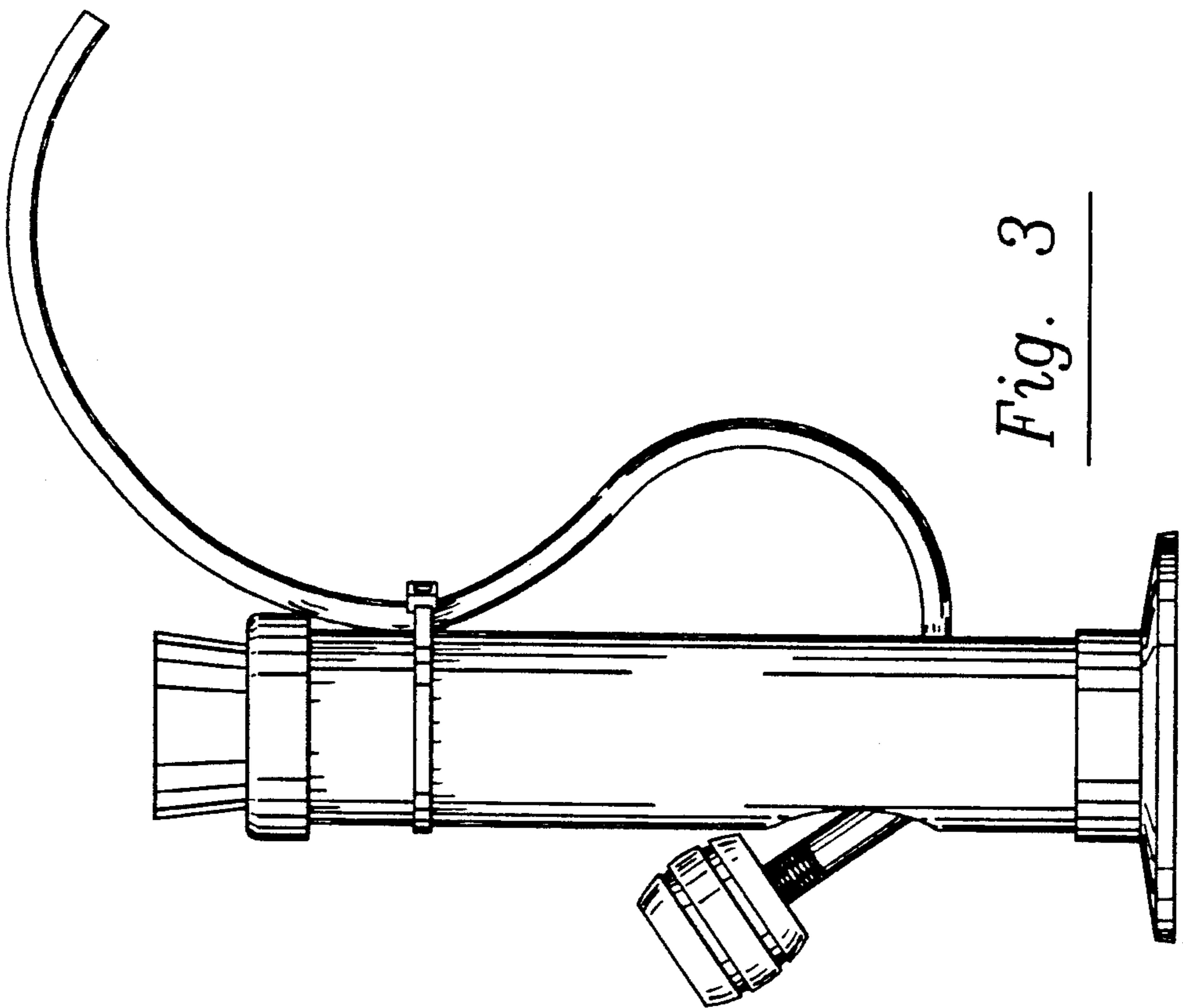


Fig. 4

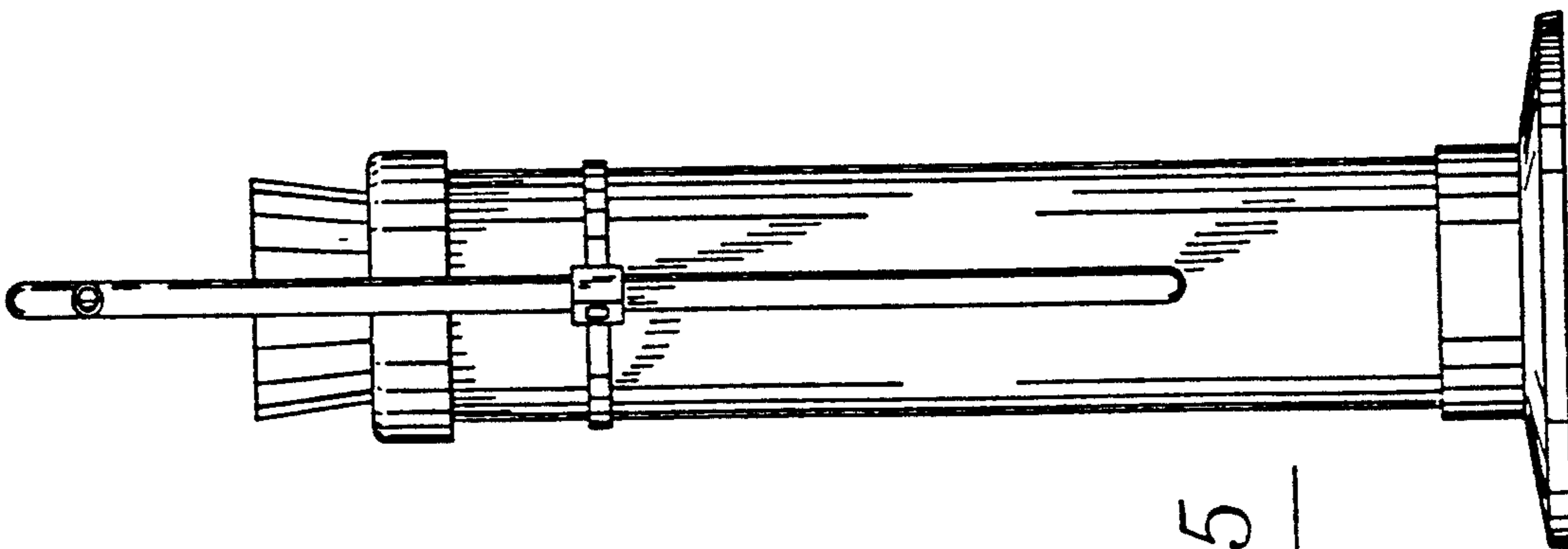


Fig. 5

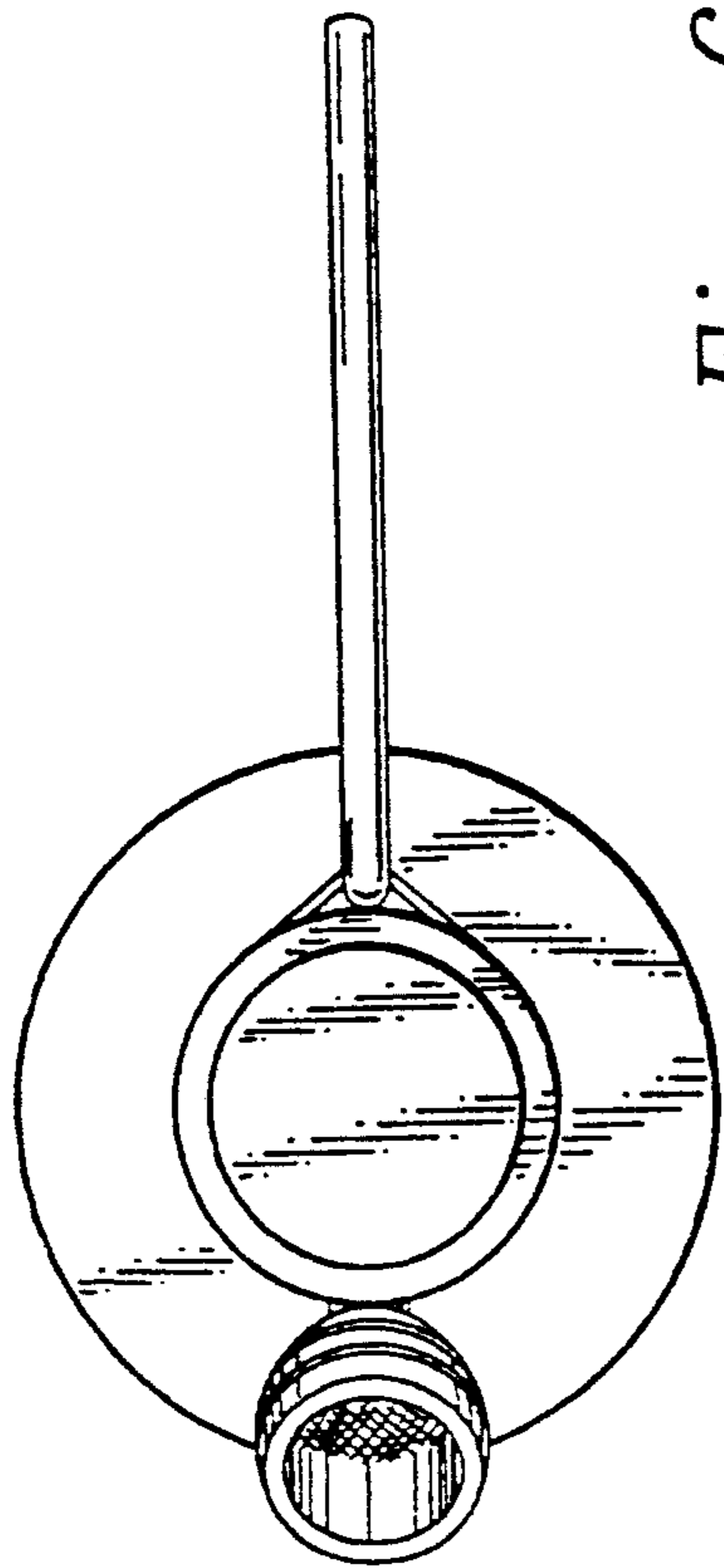


Fig. 6

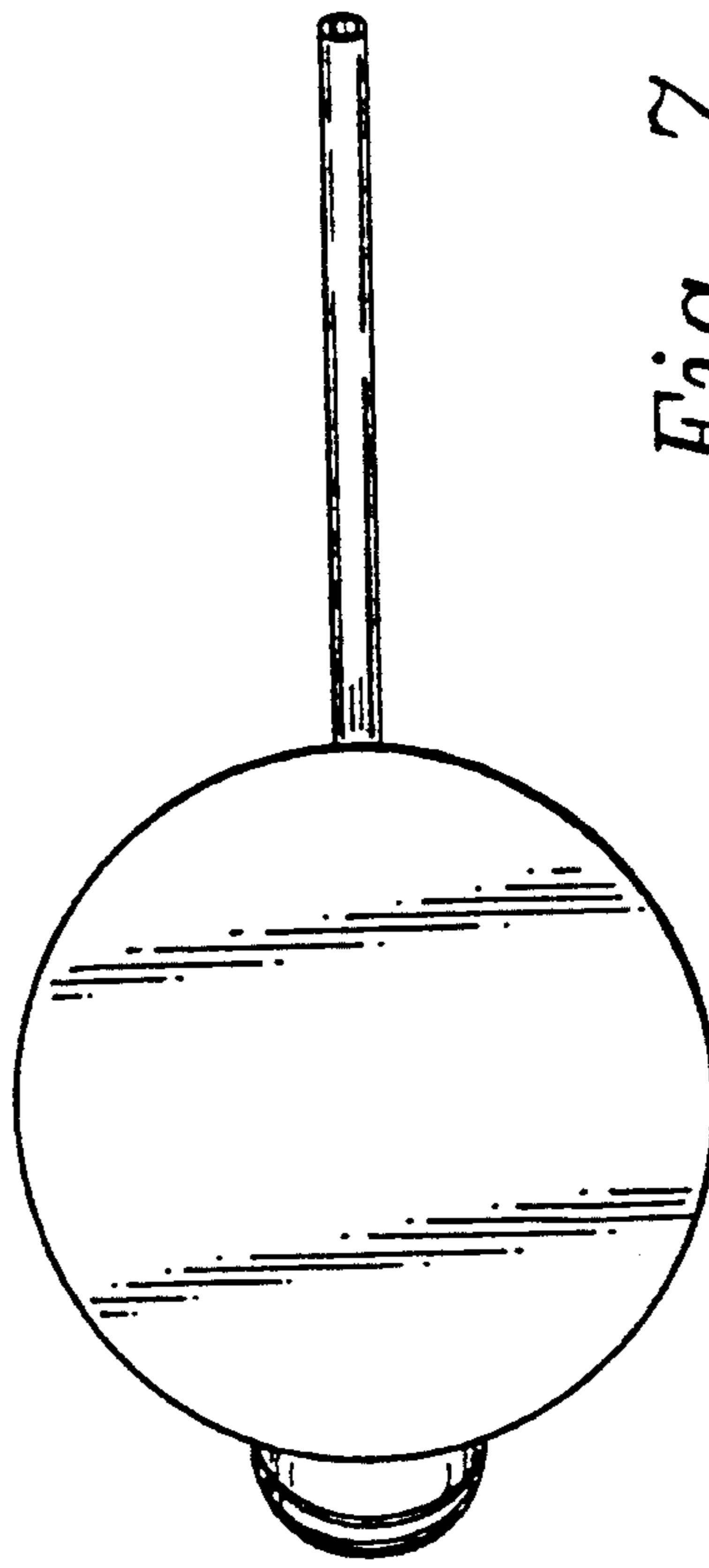


Fig. 7