



US00D342802S

United States Patent [19]

[11] Patent Number: Des. 342,802

Barletta

[45] Date of Patent: ** Dec. 28, 1993

[54] GOLF LAMP

[76] Inventor: Emilio Barletta, 2 Bertlee Dr.,
Huntington, N.Y. 11746

[**] Term: 14 Years

[21] Appl. No.: 767,920

[22] Filed: Sep. 30, 1991

[52] U.S. Cl. D26/94; D21/234

[58] Field of Search D26/94; D11/157;
362/806, 808; D21/8, 234

[56] **References Cited**

U.S. PATENT DOCUMENTS

D. 127,850	6/1941	Clement	D26/94
D. 304,093	10/1989	Holter	D26/94
D. 323,357	1/1992	Mulay	D21/8
D. 328,150	7/1992	Tseng	D26/94

FOREIGN PATENT DOCUMENTS

395327 12/1965 Switzerland 362/806

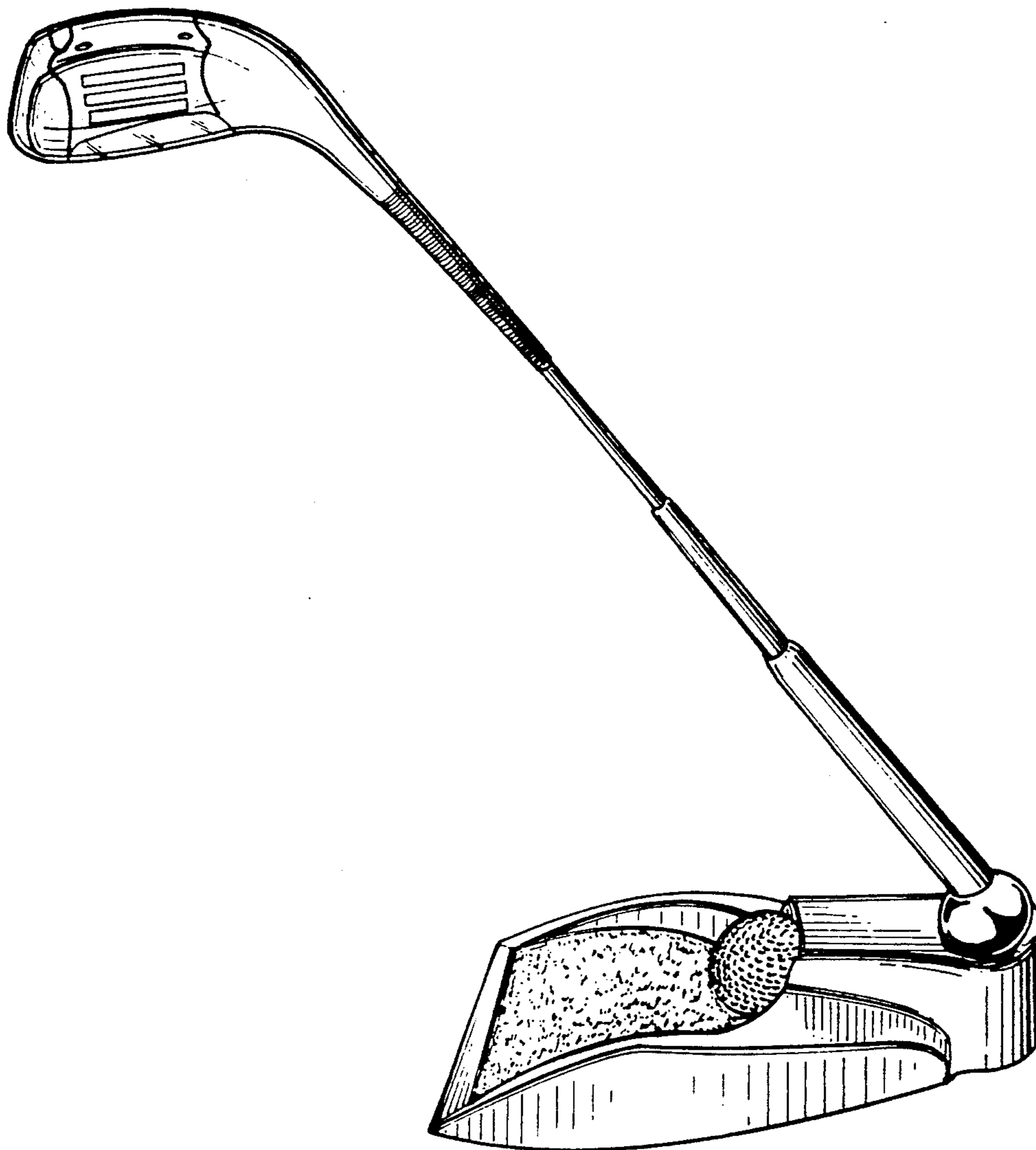
Primary Examiner—Susan J. Lucas
Attorney, Agent, or Firm—Michael I. Kroll

[57] **CLAIM**

The ornamental design for a golf lamp, as shown and described.

DESCRIPTION

FIG. 1 is a front/top perspective view of a golf lamp showing my new design;
FIG. 2 is a top plan view thereof on reduced scale;
FIG. 3 is a front elevational view thereof on a reduced scale;
FIG. 4 is a left side elevational view thereof on a reduced scale, the right side being a mirror image; and,
FIG. 5 is a top plan view thereof on a reduced scale.



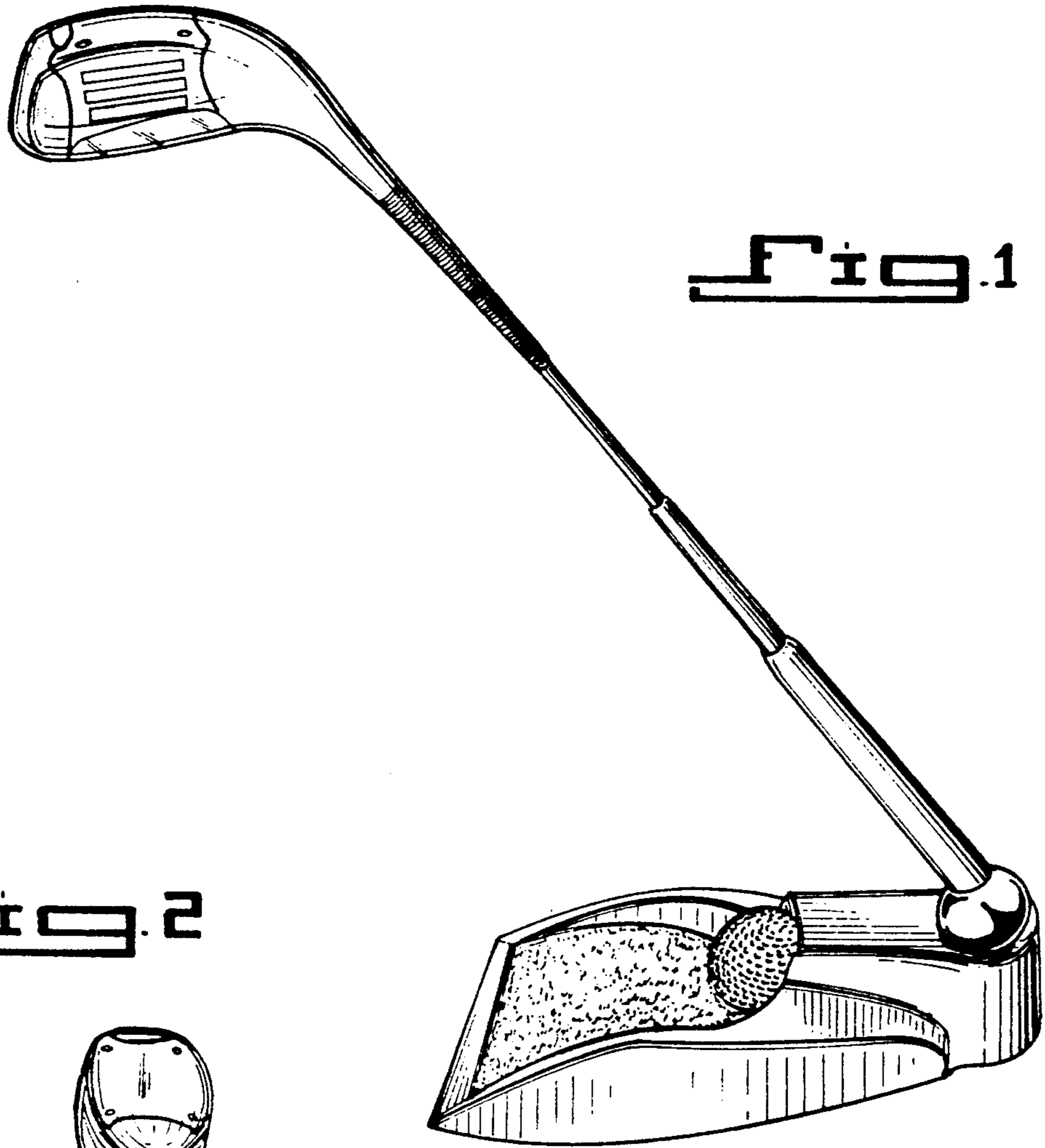


Fig. 2

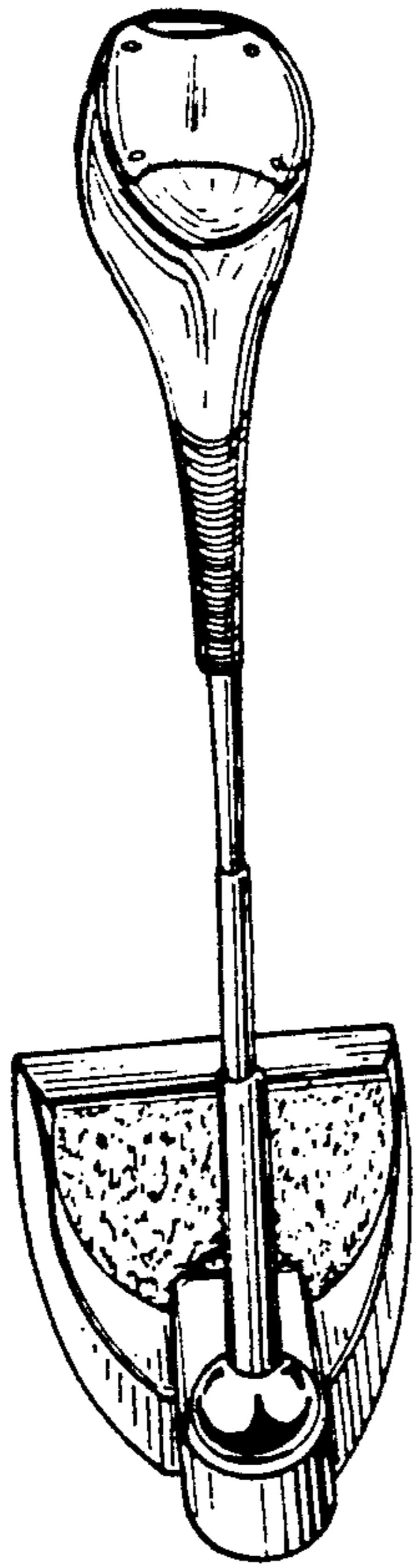
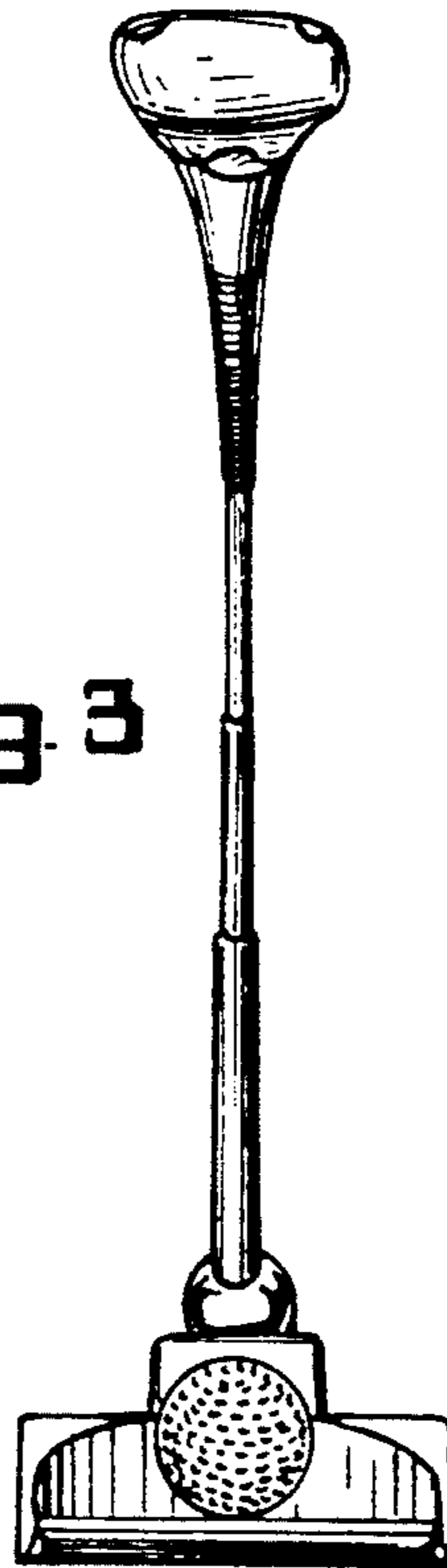


Fig. 3



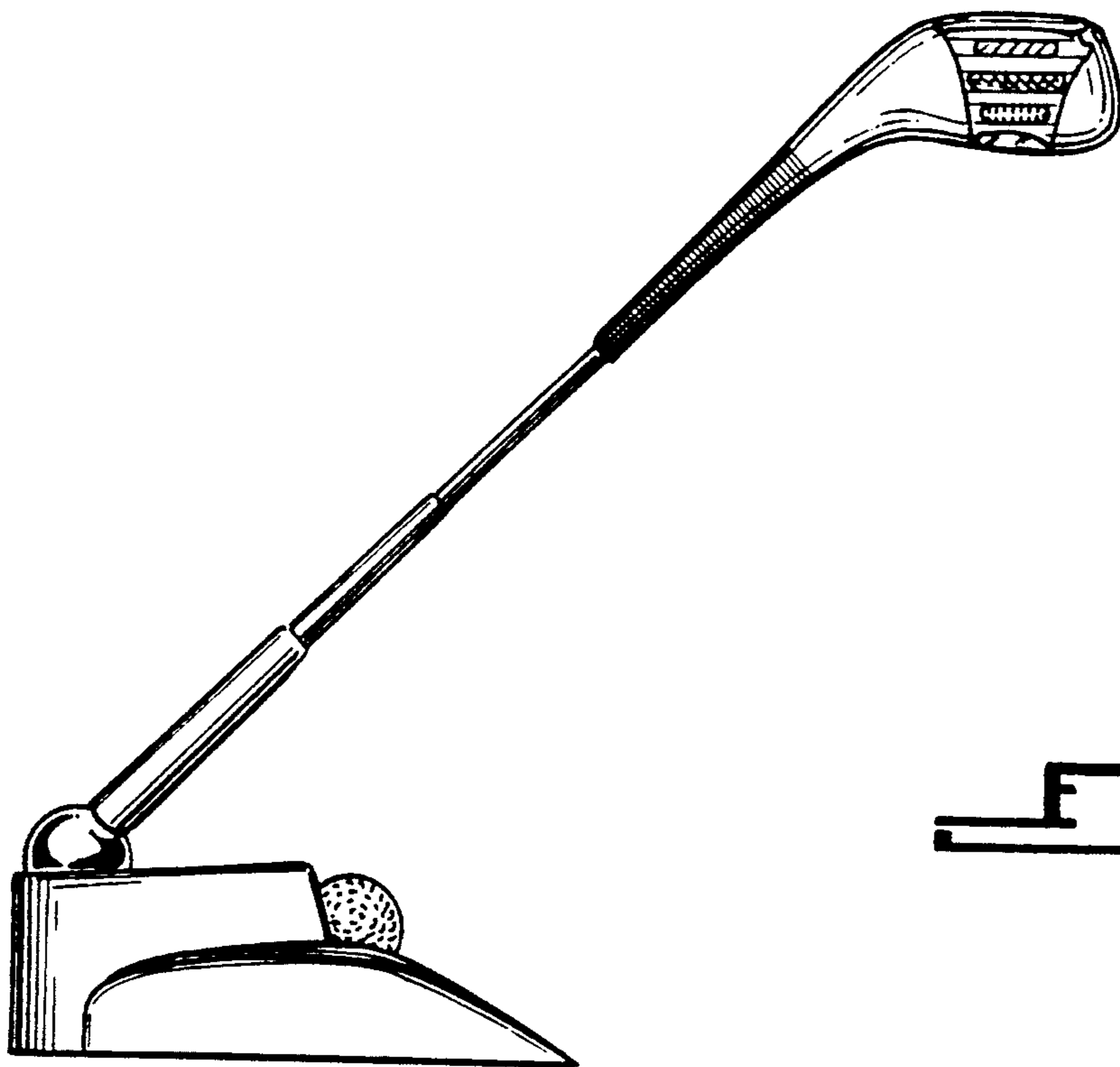


Fig. 4

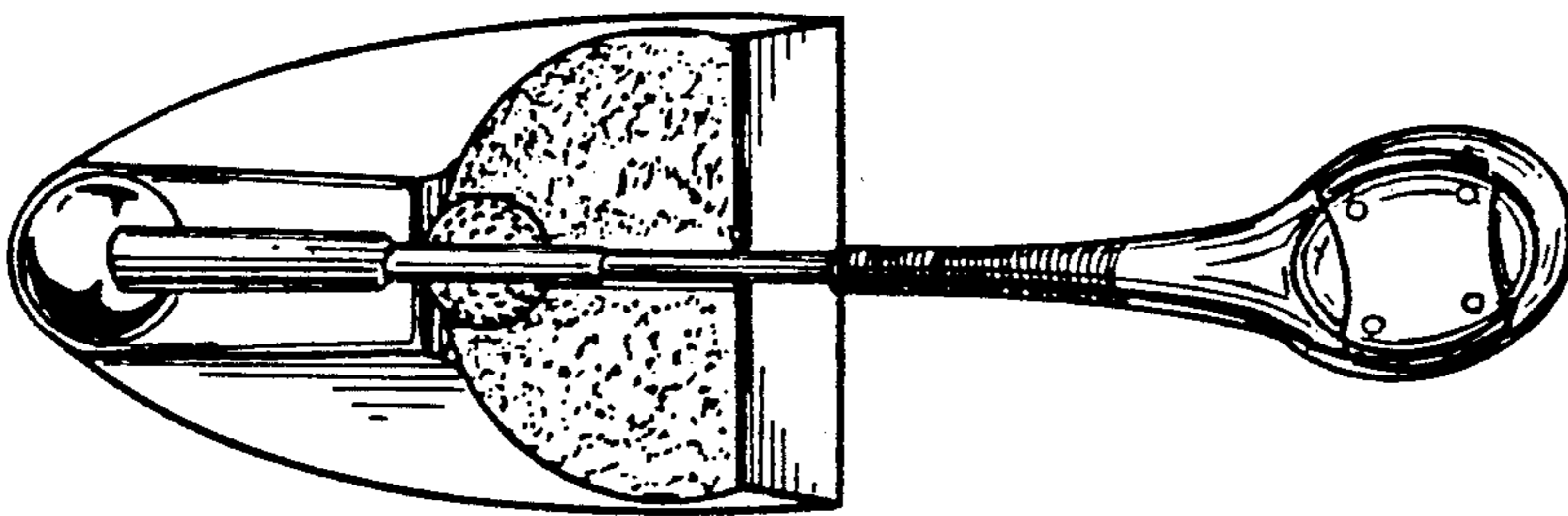


Fig. 5