



US00D342801S

United States Patent [19] Poon

[11] Patent Number: **Des. 342,801**

[45] Date of Patent: **** Dec. 28, 1993**

[54] **PORTABLE ADJUSTABLE QUARTZ
HALOGEN SPOTLIGHT**

3,604,914 9/1971 Gibson 362/191
4,870,548 9/1989 Beachy et al. 362/277 X

[75] Inventor: **Tit W. Poon, Hong Kong, Hong
Kong**

[73] Assignee: **Flying Dragon Development Limited,
Chai Wan, Hong Kong**

[**] Term: **14 Years**

[21] Appl. No.: **895,383**

[22] Filed: **Jun. 8, 1992**

[30] **Foreign Application Priority Data**

Mar. 31, 1992 [GB] United Kingdom 2021974
[52] U.S. Cl. **D26/63; D26/45**
[58] Field of Search **D26/60-66,
D26/37-50; 362/190, 191, 418, 419, 427, 269,
275, 285, 399**

[56] **References Cited**

U.S. PATENT DOCUMENTS

D. 300,470 3/1989 Schmidt D26/45
1,481,998 1/1924 Eldredge 362/418 X

OTHER PUBLICATIONS

Hong Kong Enterprise, 1980, p. 234, Multipurpose
Camping Lamp.

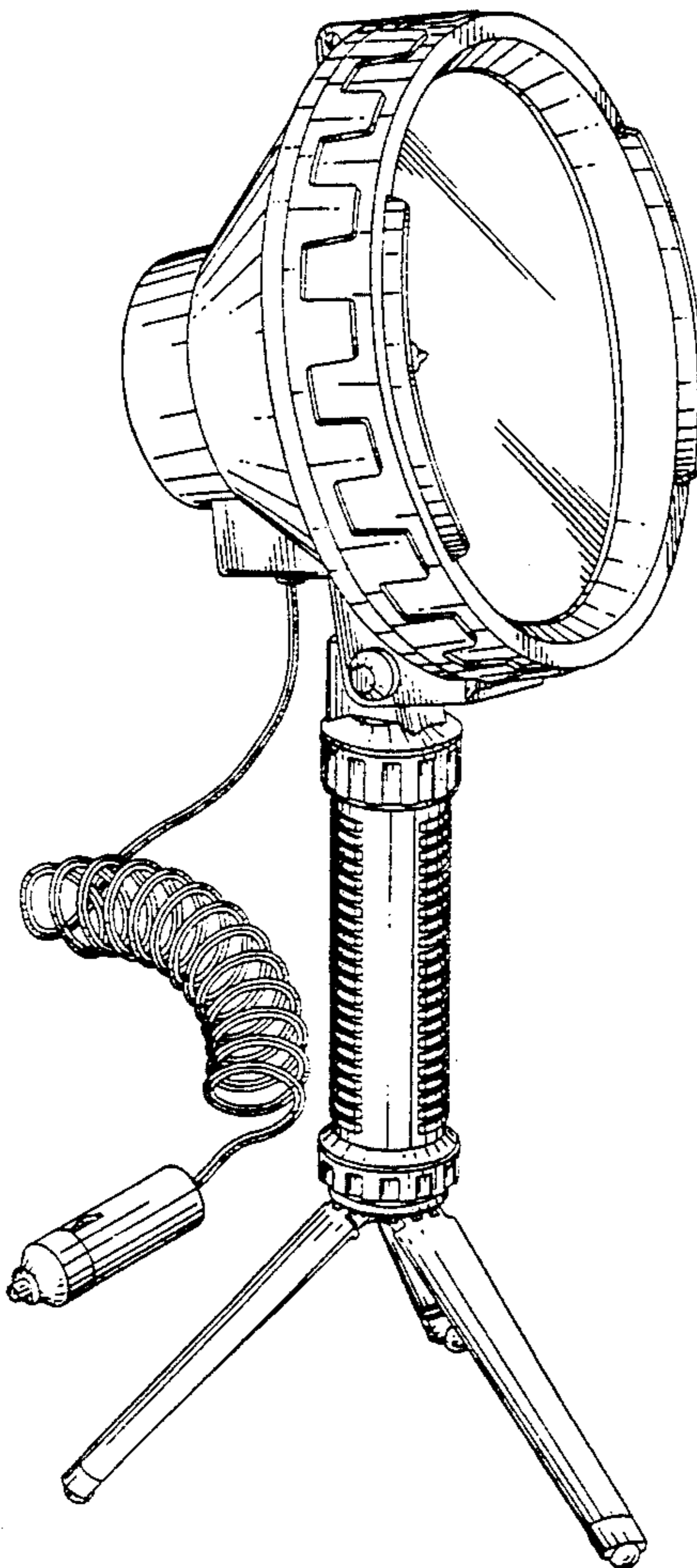
Primary Examiner—Susan J. Lucas
Attorney, Agent, or Firm—Nikaido, Marmelstein,
Murray & Oram

[57] **CLAIM**

The ornamental design for a portable adjustable quartz
halogen spotlight, as shown and described.

DESCRIPTION

FIG. 1 is a front perspective view of the portable, ad-
justable quartz halogen spotlight;
FIG. 2 is a front view thereof;
FIG. 3 is a side view thereof, the opposite side being a
mirror image but for the omission of the wing nut in the
pivot of the reflector bracket;
FIG. 4 is a back view thereof, with the feet in an alter-
native position;
FIG. 5 is a plan view thereof; and,
FIG. 6 is a bottom view thereof.



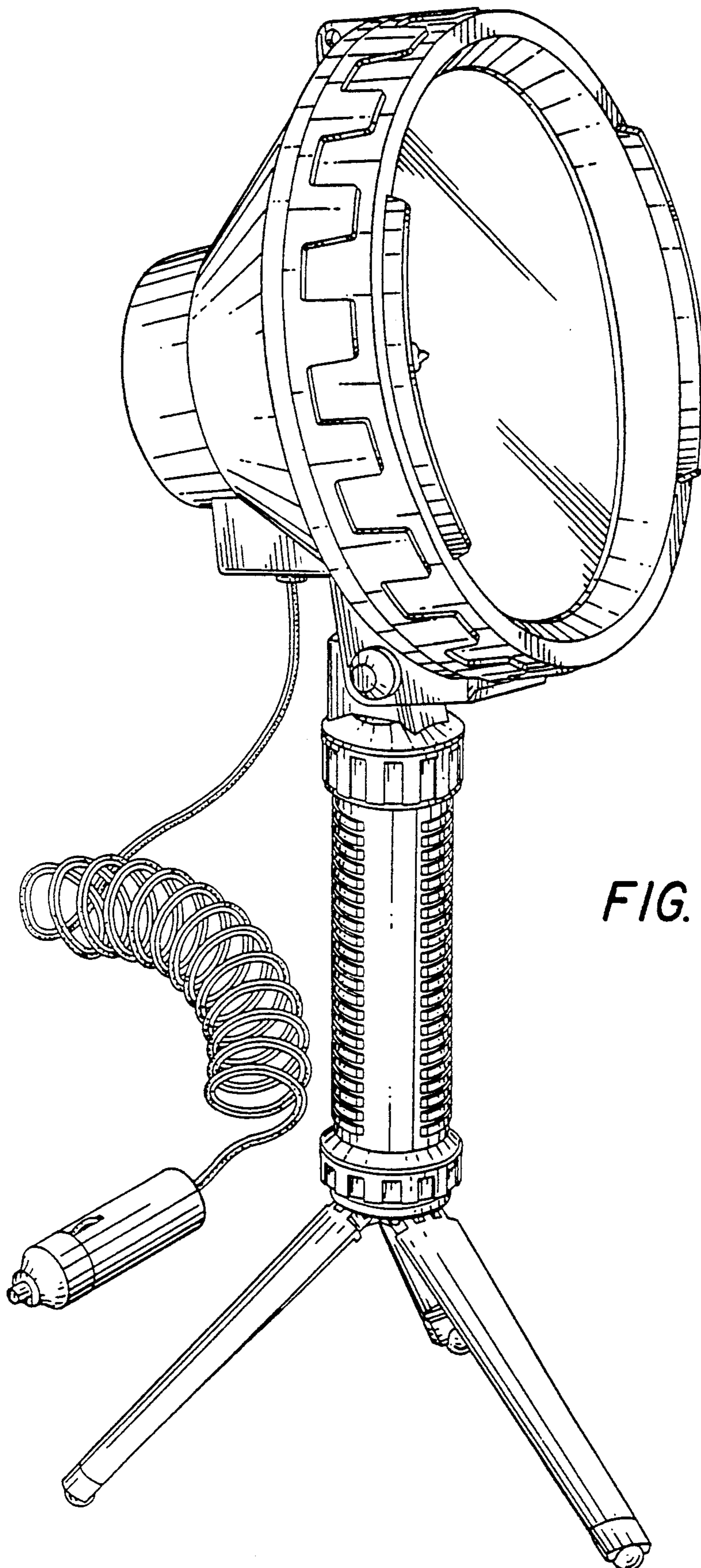


FIG. 1

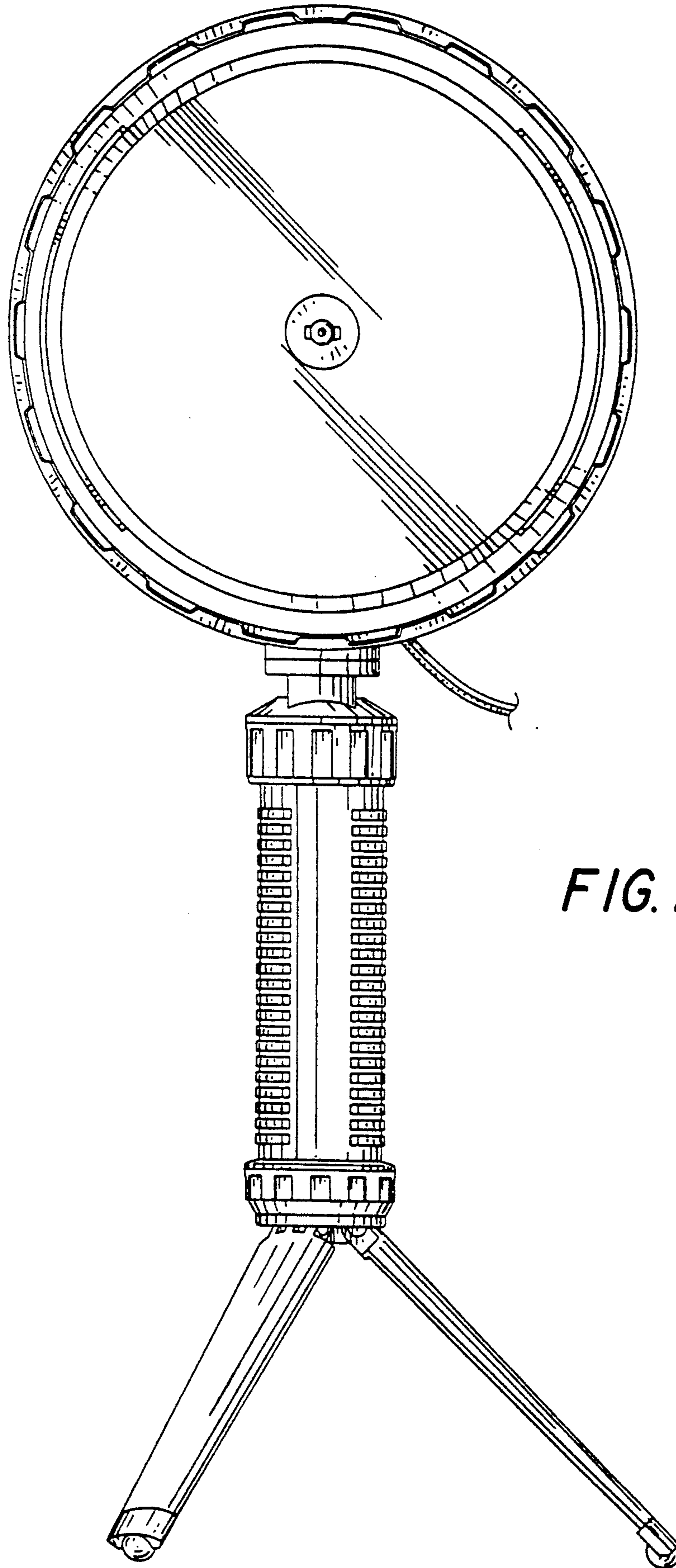


FIG. 2

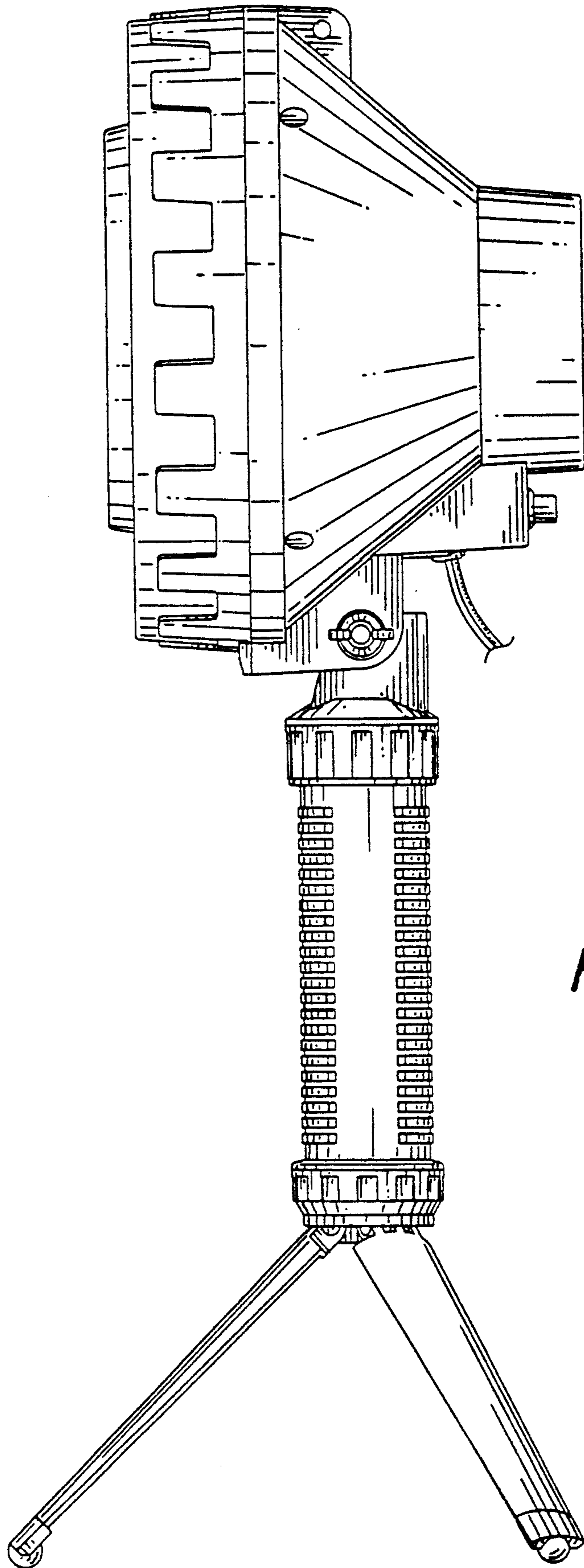


FIG. 3

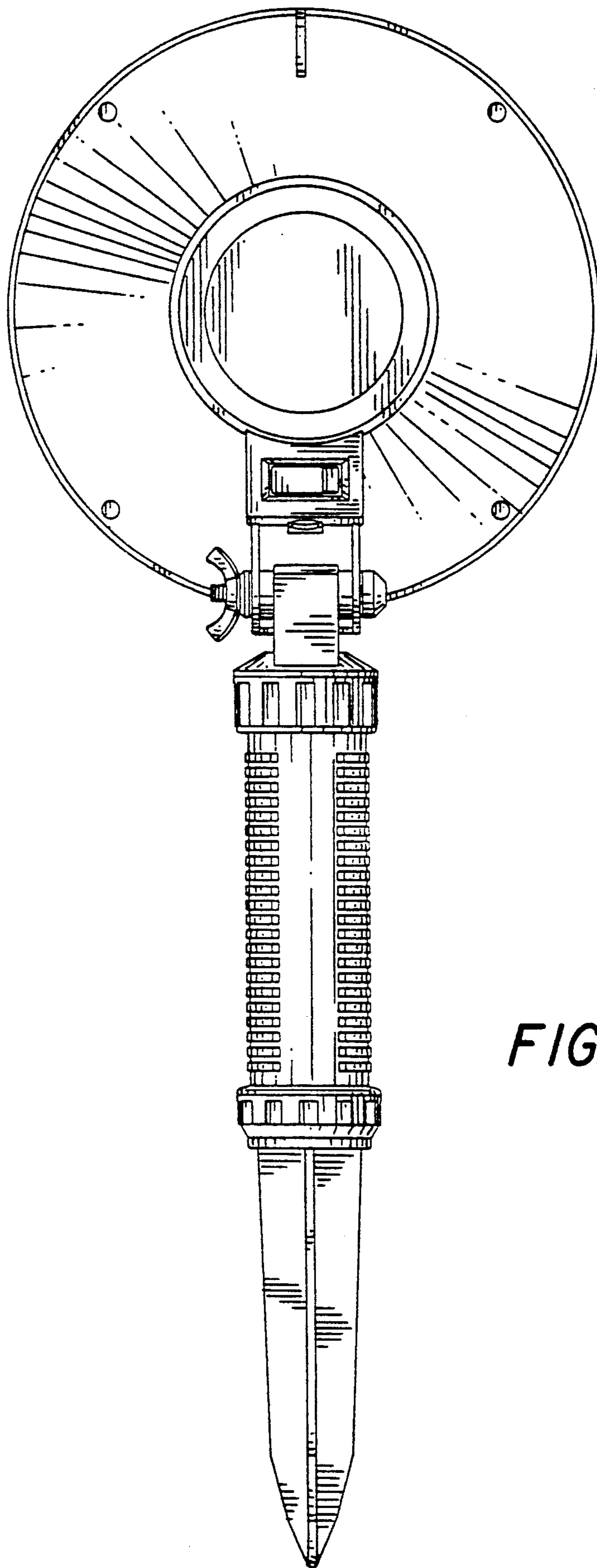


FIG. 4

FIG. 5

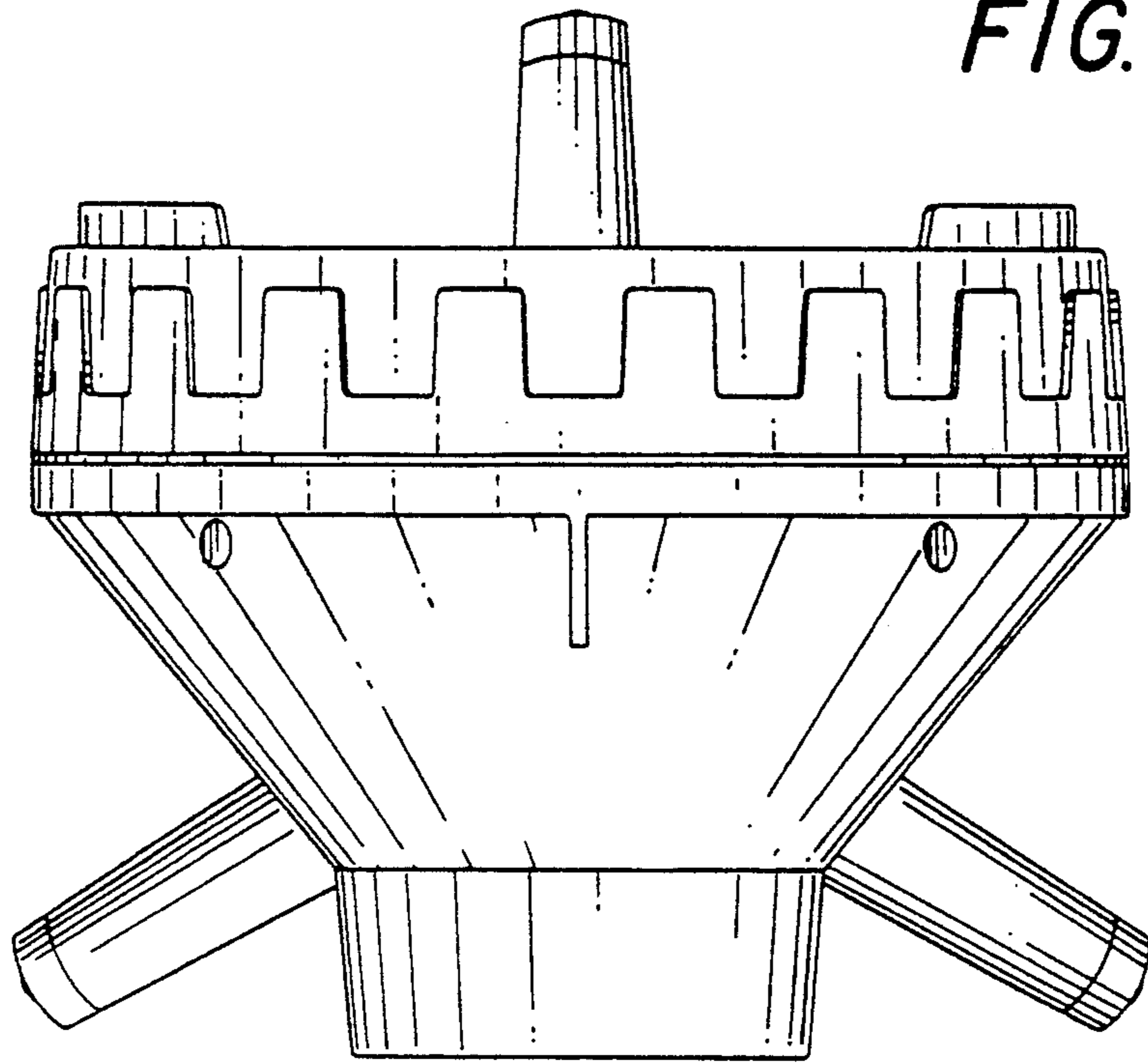


FIG. 6

