



US00D342798S

United States Patent [19]

[11] Patent Number: **Des. 342,798**

Ancona et al.

[45] Date of Patent: **** Dec. 28, 1993**

[54] NITE LIGHT

[76] Inventors: **Bruce Ancona; Jane Ancona**, both of 21 E. 22nd St. #6K, New York, N.Y. 10010; **Jose Padron**, 511 W. 20th St. #4, New York, N.Y. 10011

[**] Term: **14 Years**

[21] Appl. No.: **889,742**

[22] Filed: **May 27, 1992**

[52] U.S. Cl. **D26/26; D26/85**

[58] Field of Search **D26/72, 80-92, D26/26; 362/147, 226, 432**

[56] References Cited

U.S. PATENT DOCUMENTS

D. 113,501	2/1939	Alm et al.	D26/86
D. 293,607	1/1988	Schwartz	D26/26
4,343,032	8/1982	Schwartz	362/147 X

OTHER PUBLICATIONS

Prestige Lighting Catalog, rear cover wall lamp #F-6218.

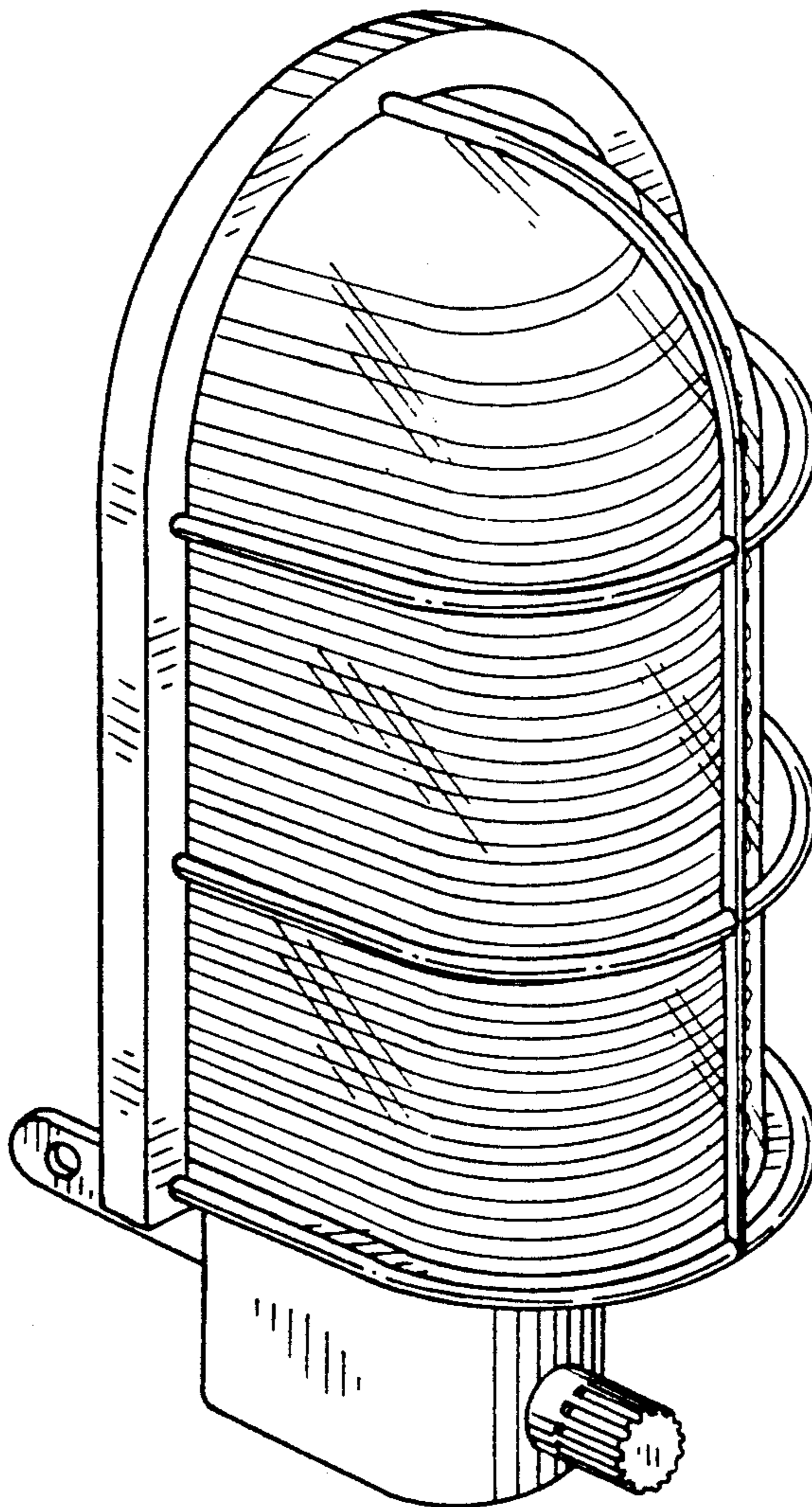
Primary Examiner—Susan J. Lucas
Attorney, Agent, or Firm—Gottlieb, Rackman & Reisman

[57] CLAIM

The ornamental design for a night light, as shown and described.

DESCRIPTION

FIG. 1 shows a perspective view of a night light; FIG. 2 shows a front view of the night light; FIG. 3 is a side view showing the inventive design; FIG. 4 is a rear view of the design; FIG. 5 is an additional side view of the inventive design shown from the opposite as that of FIG. 3; FIG. 6 is a bottom view of the inventive design; and, FIG. 7 is a top view of the night light.



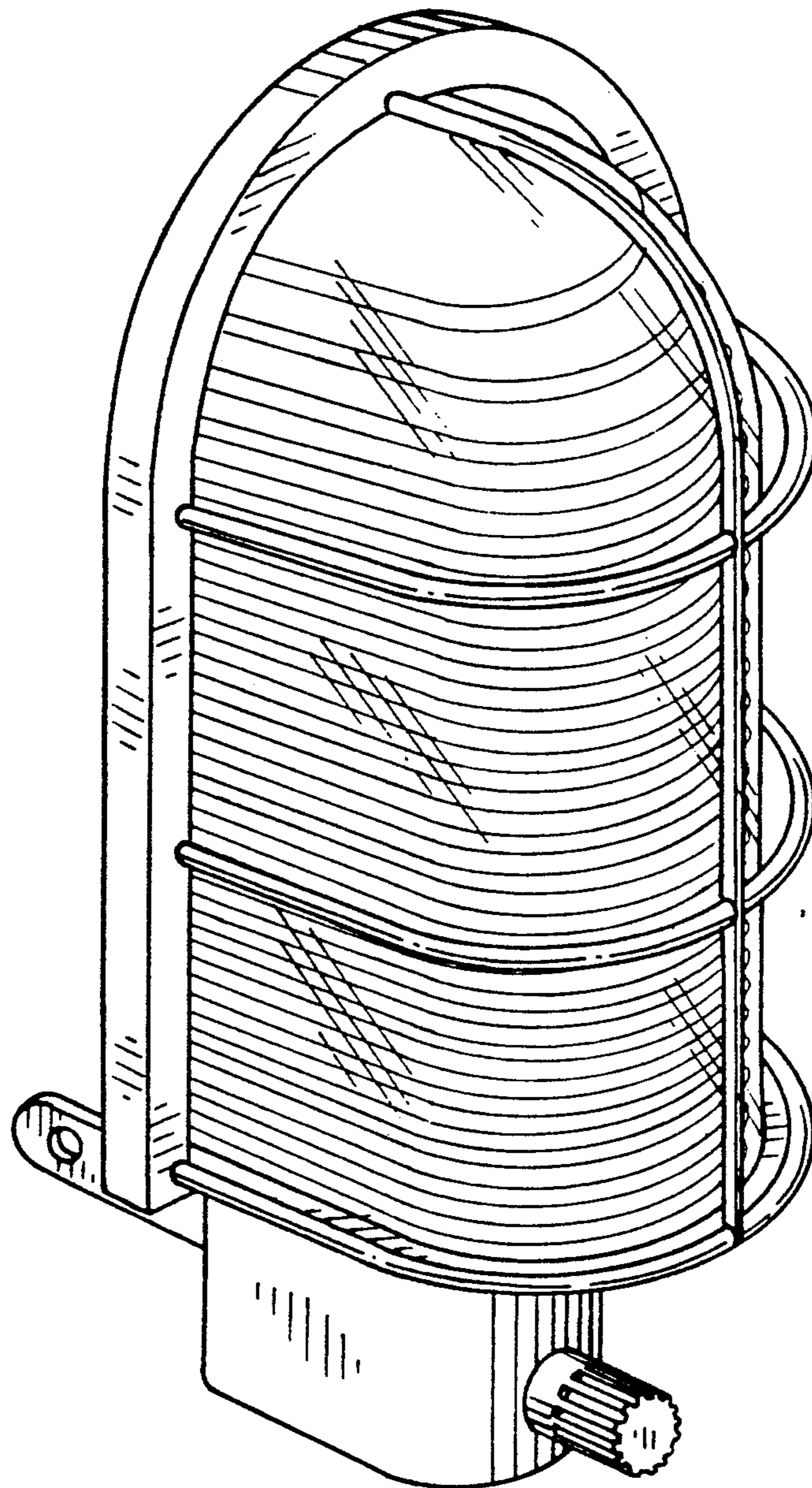


FIG. 1

FIG. 3

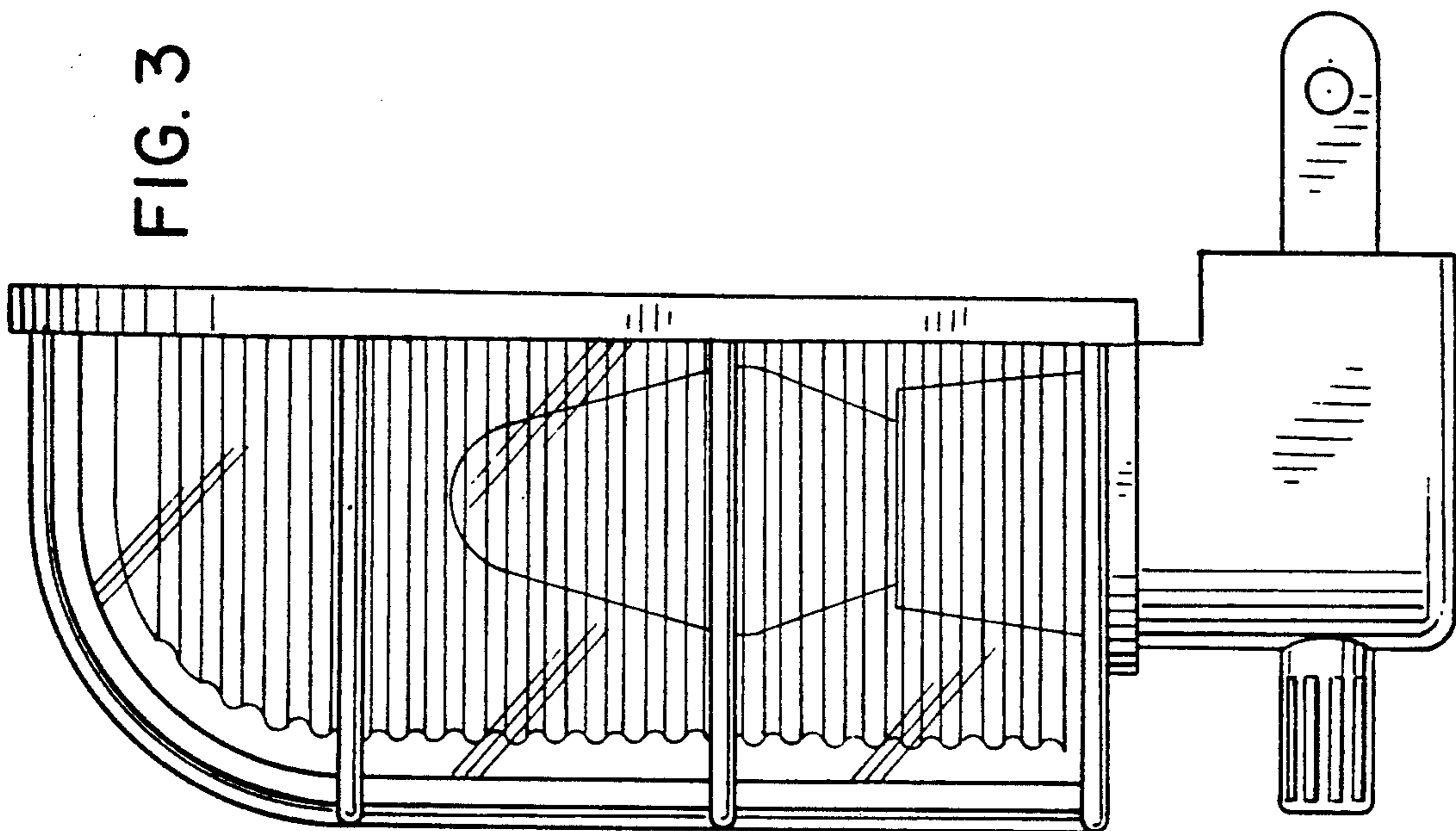
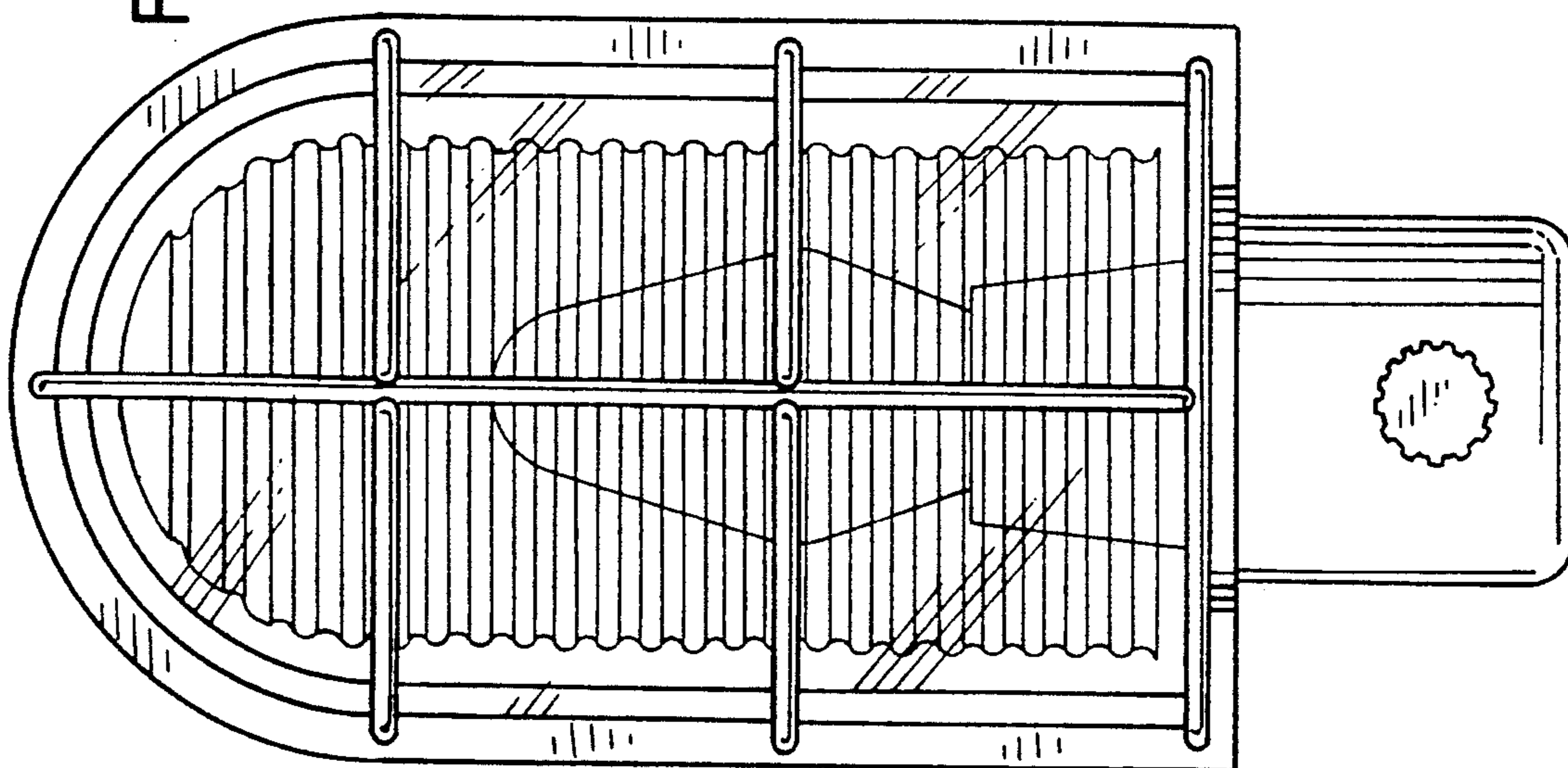


FIG. 2



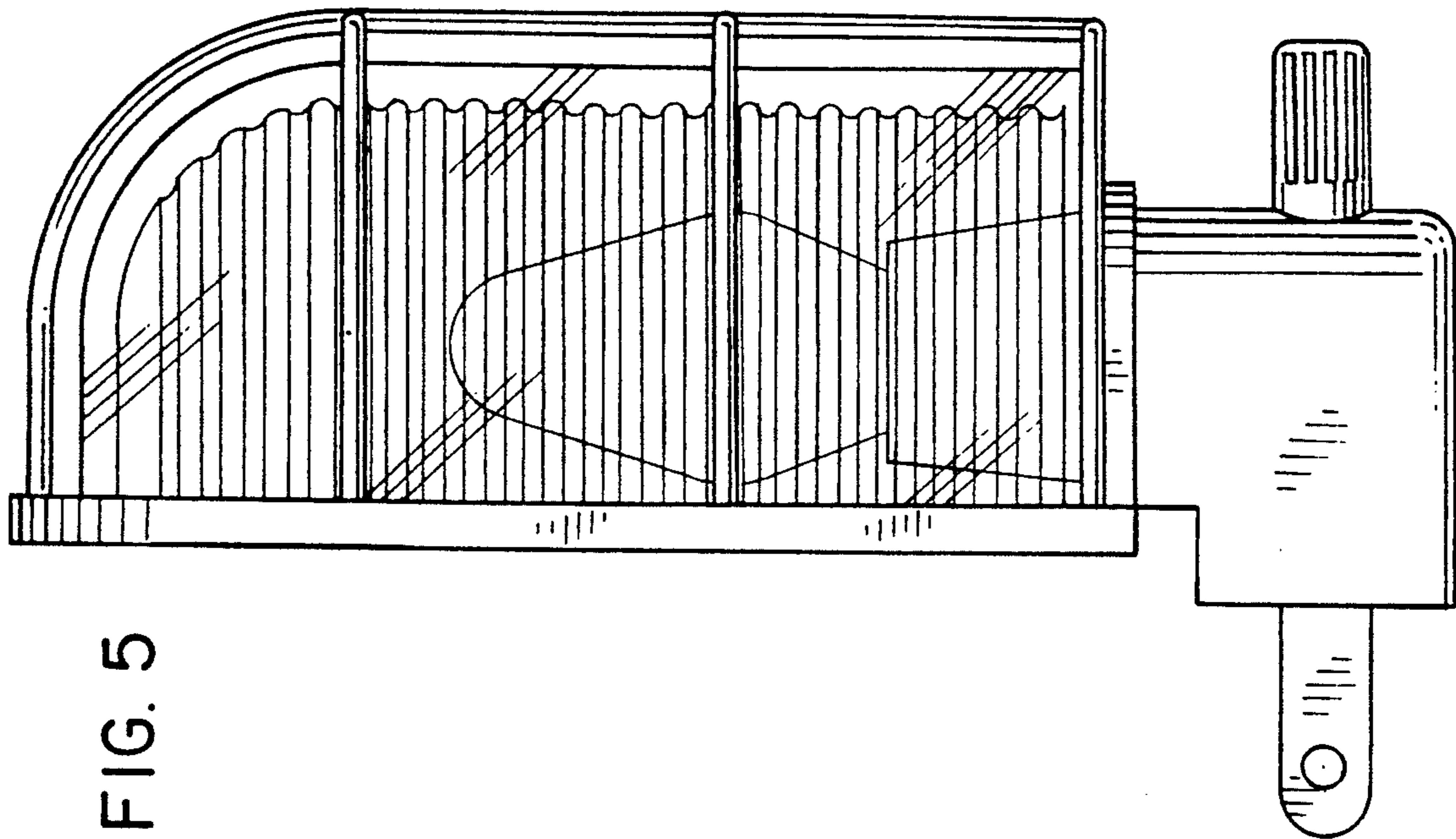


FIG. 5

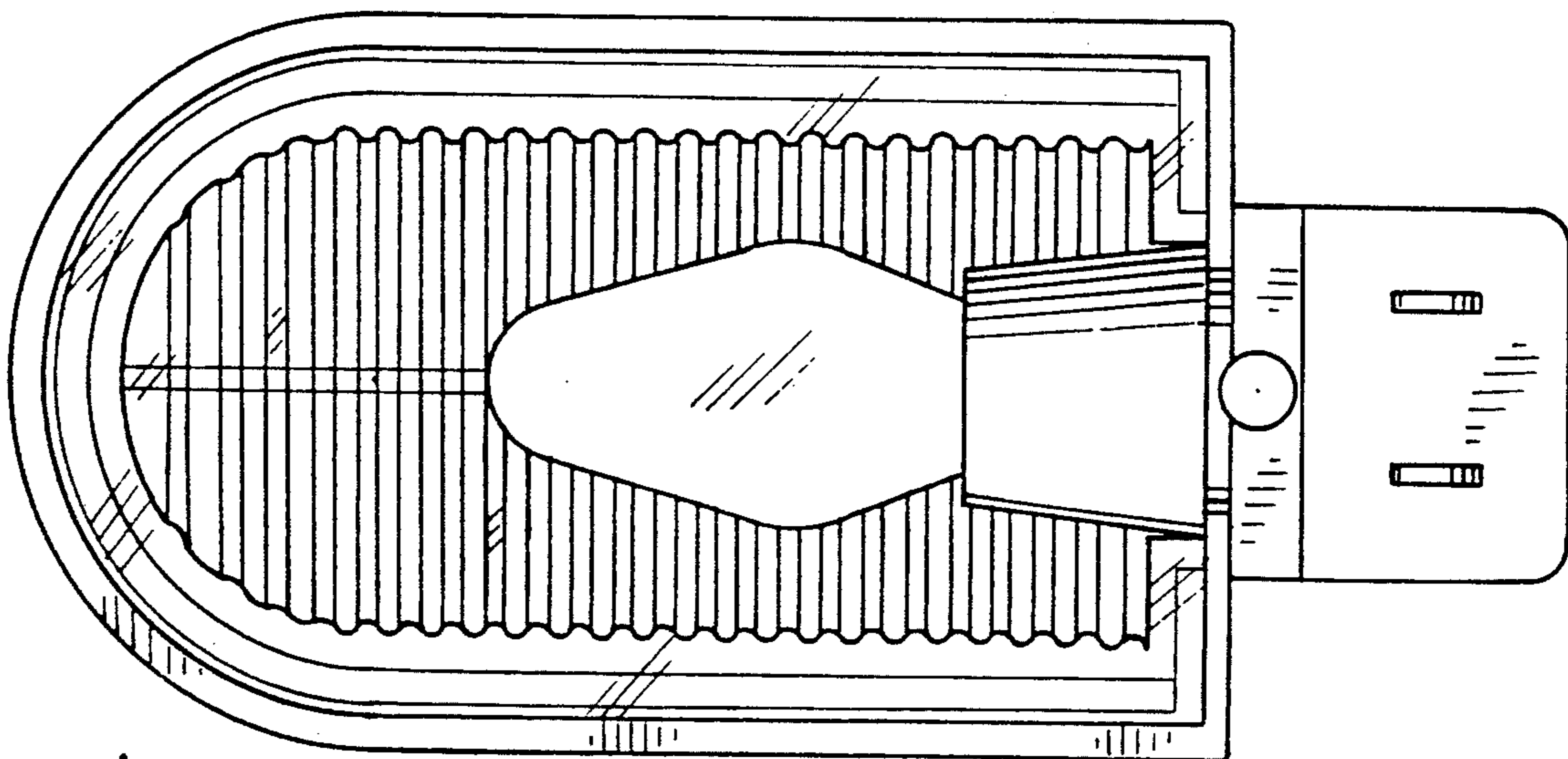


FIG. 4

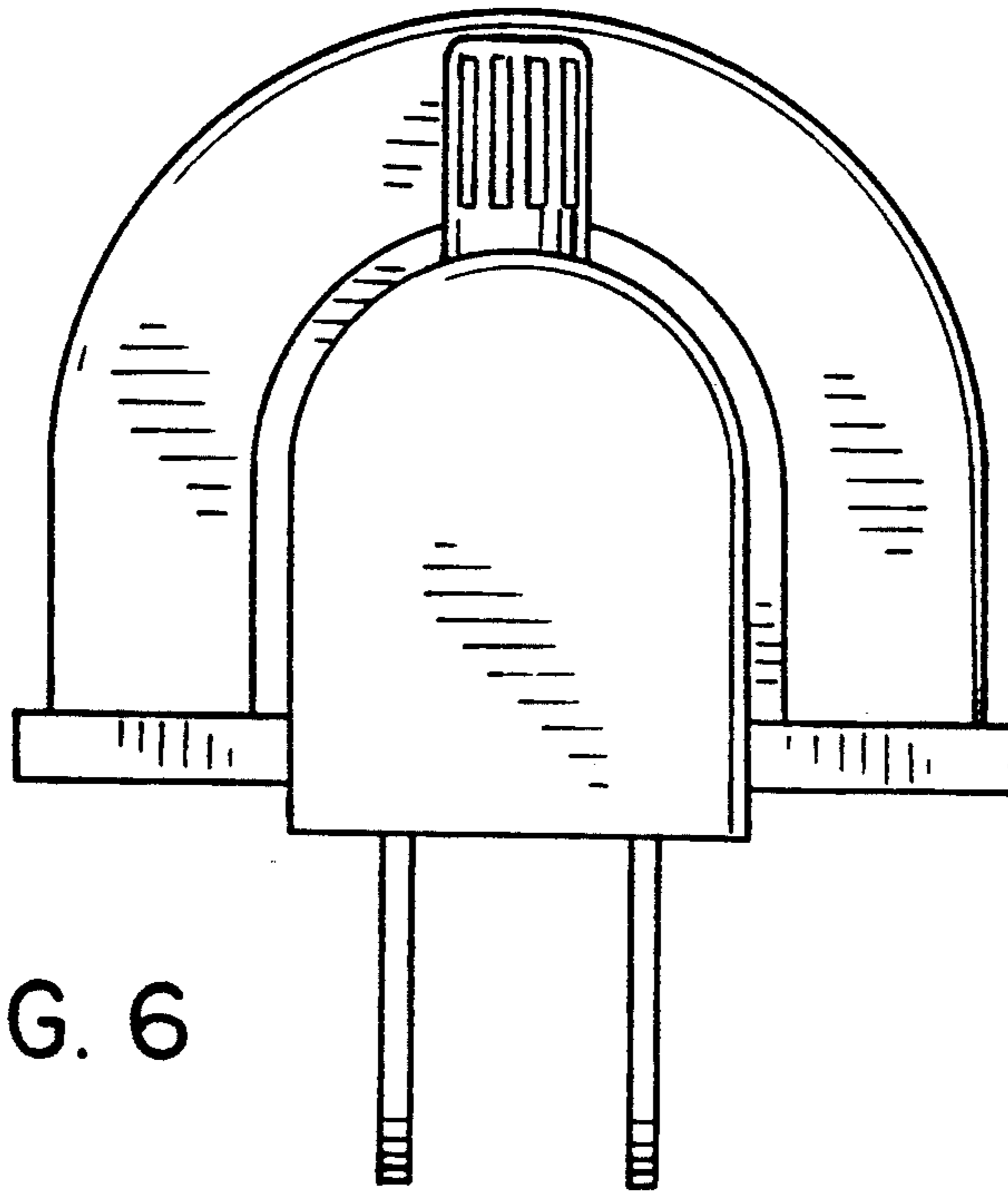


FIG. 6

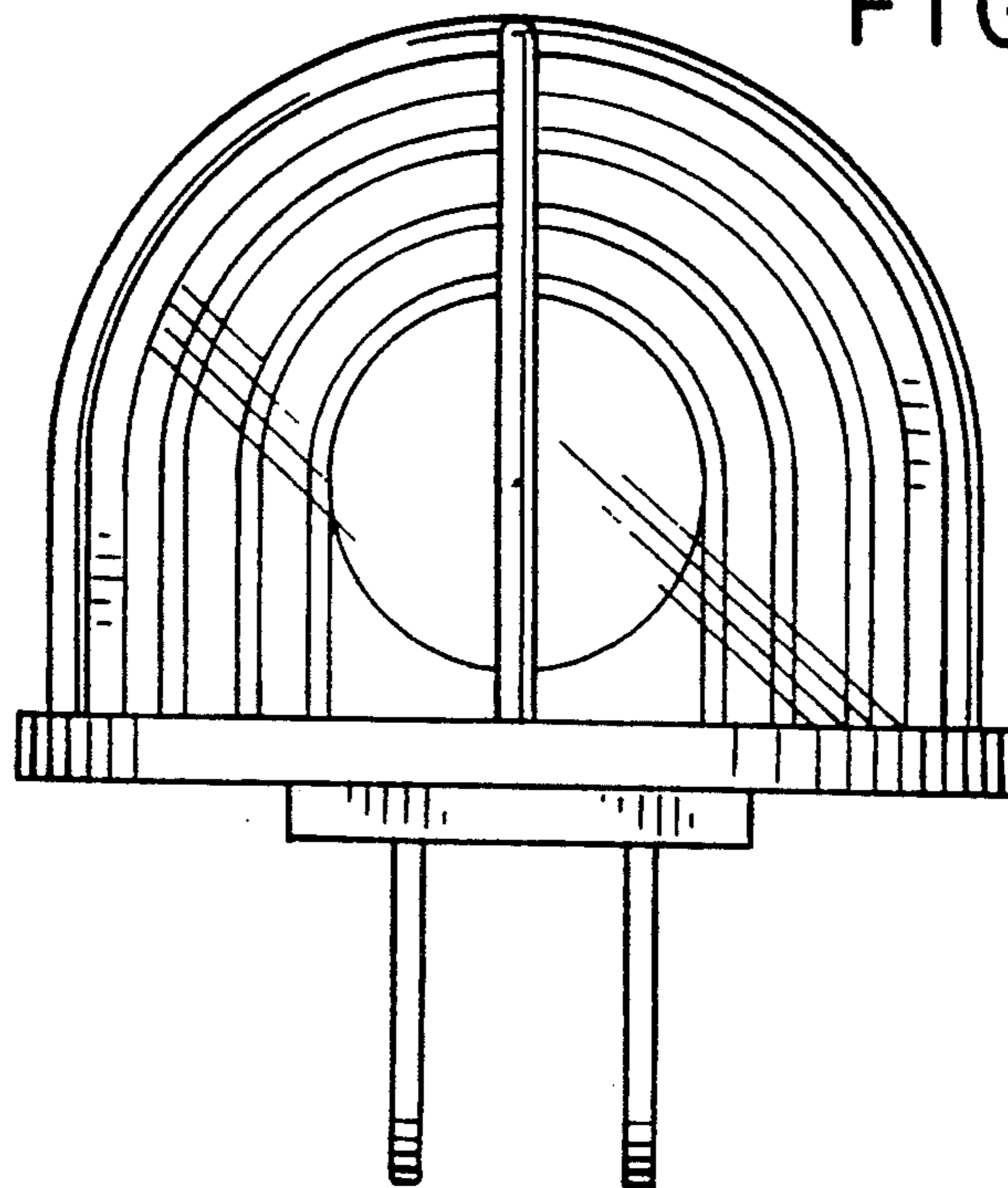


FIG. 7