



US00D342797S

United States Patent [19]
Cole

[11] **Patent Number: Des. 342,797**
[45] **Date of Patent: ** Dec. 28, 1993**

[54] **WINDOW COMPONENT EXTRUSION**

[56] **References Cited**

[75] **Inventor: Douglas L. Cole, Seattle, Wash.**

U.S. PATENT DOCUMENTS

[73] **Assignee: Mikron Industries, Kent, Wash.**

- D. 49,667 9/1916 Landine D25/124
- D. 263,753 4/1982 Dallaire D25/124
- D. 301,068 5/1989 Dallaire et al. D25/124
- D. 307,485 4/1990 Westphal et al. D25/124

[*] **Notice:** The portion of the term of this patent subsequent to Mar. 9, 2007 has been disclaimed.

Primary Examiner—A. Hugo Word
Assistant Examiner—Doris Clark
Attorney, Agent, or Firm—Seed and Berry

[**] **Term: 14 Years**

[57] **CLAIM**

The ornamental design for a window component extrusion, as shown and described.

[21] **Appl. No.: 816,086**

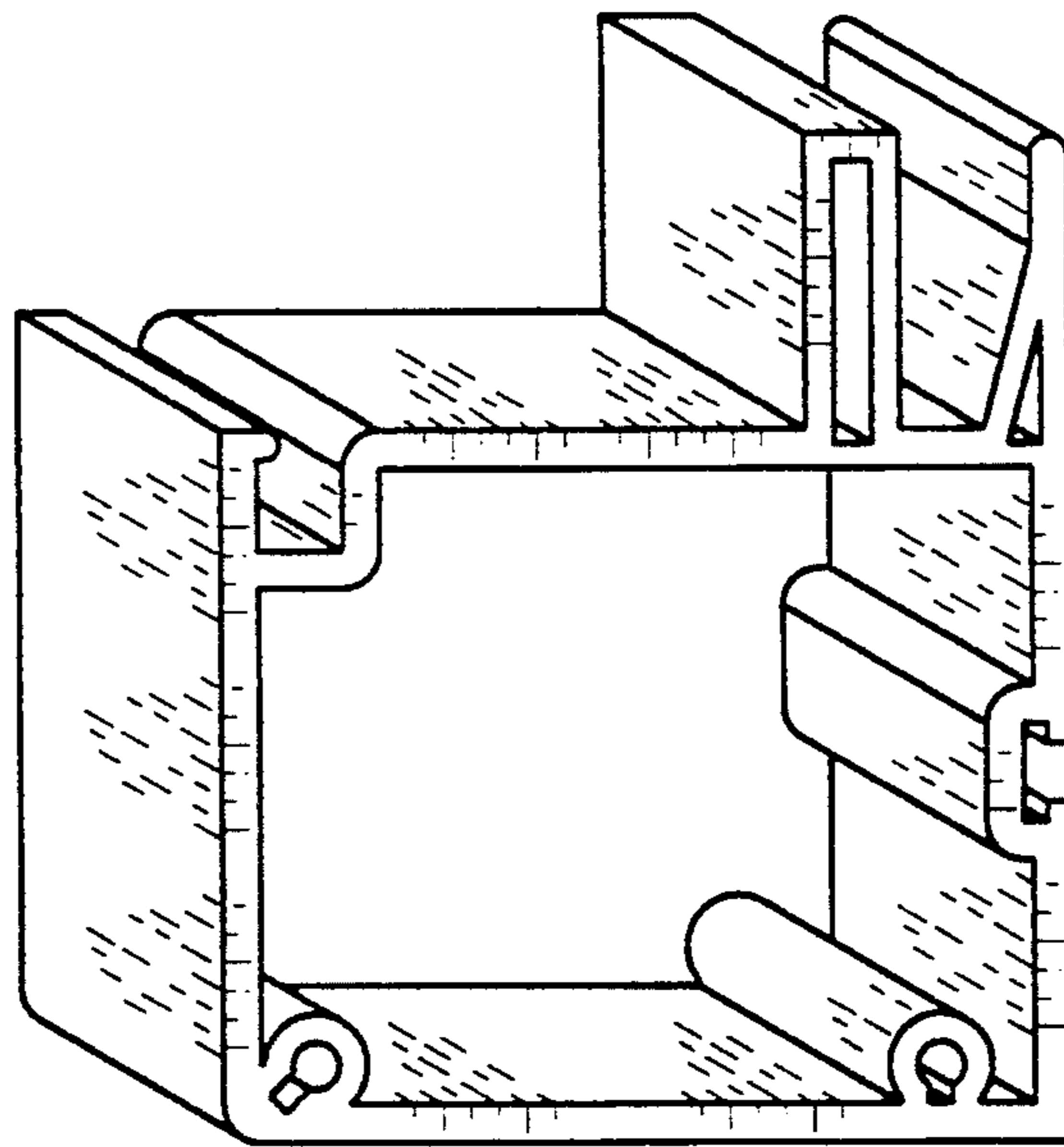
DESCRIPTION

[22] **Filed: Dec. 30, 1991**

[52] **U.S. Cl. D25/124**

[58] **Field of Search 49/501, 504, DIG.; D25/119-**

FIG. 1 is a perspective view of a window component extrusion showing my new design viewed from the top right; and, FIG. 2 is a perspective view thereof viewed from the bottom left.



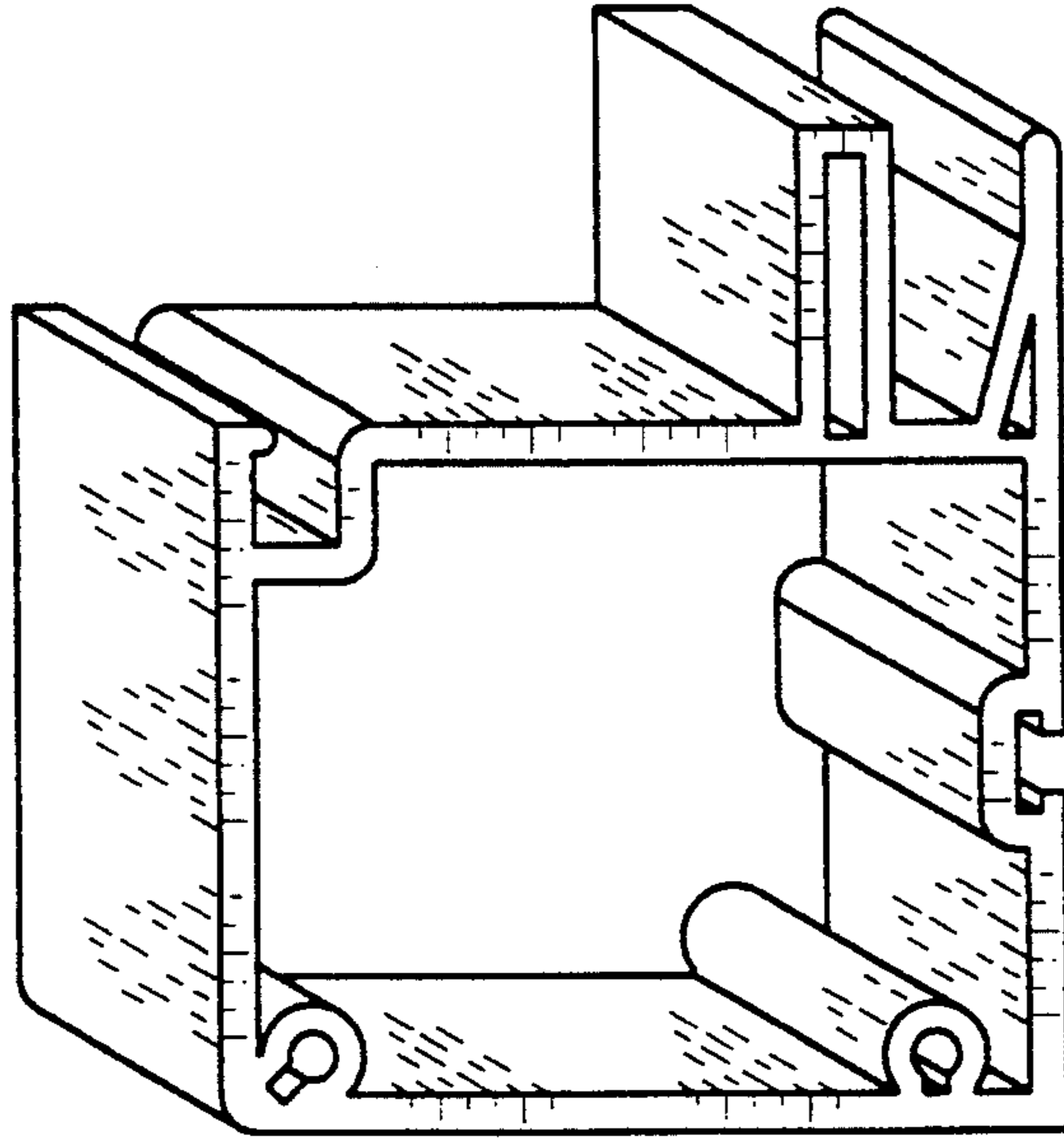


FIG. 1

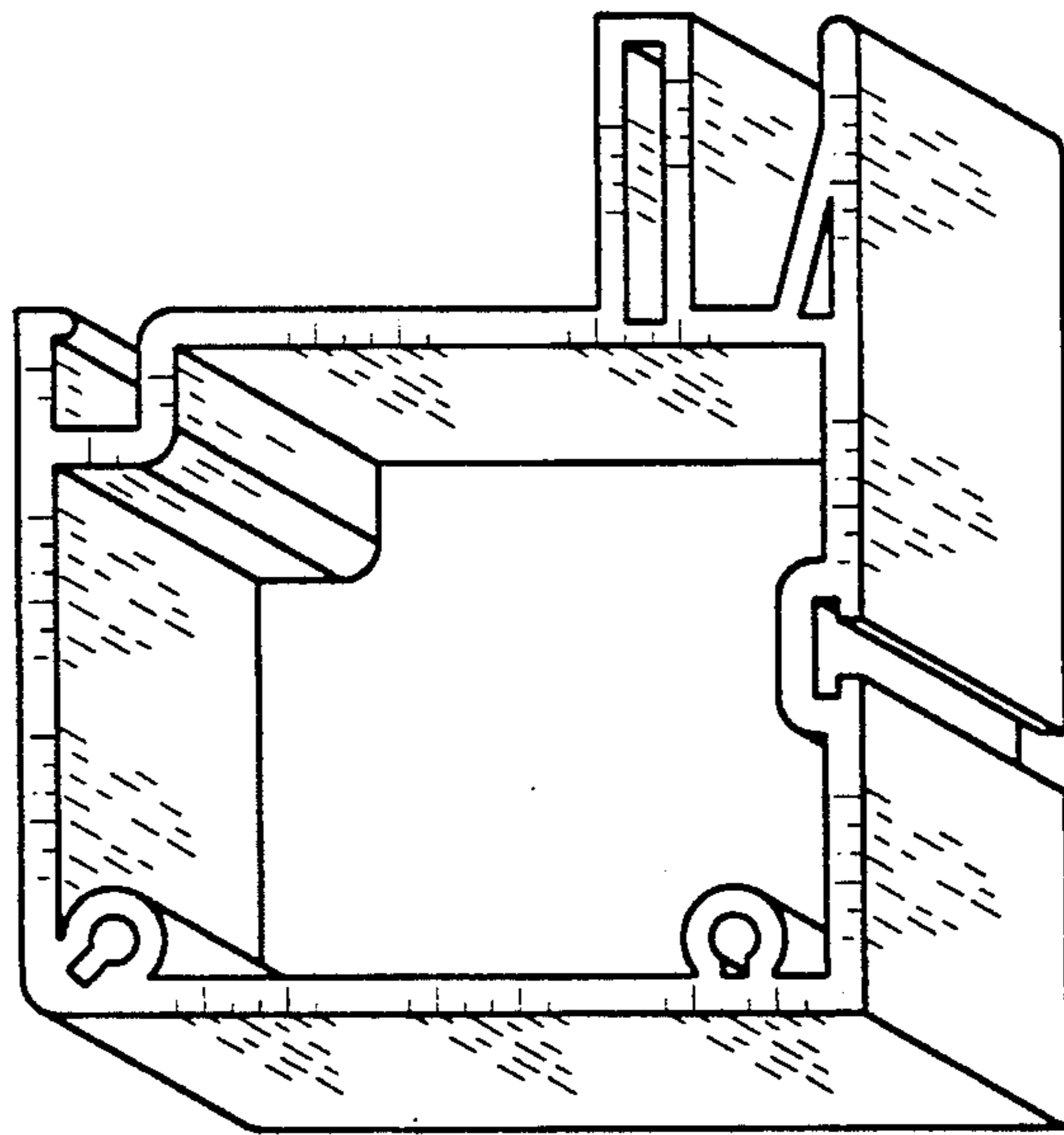


FIG. 2