



US00D342796S

# United States Patent [19] Cole

[11] Patent Number: **Des. 342,796**  
[45] Date of Patent: **\*\* Dec. 28, 1993**

[54] WINDOW COMPONENT EXTRUSION

[75] Inventor: **Douglas L. Cole, Seattle, Wash.**

[73] Assignee: **Mikron Industries, Kent, Wash.**

[\*] Notice: The portion of the term of this patent subsequent to Mar. 9, 2007 has been disclaimed.

[\*\*] Term: **14 Years**

[21] Appl. No.: **747,536**

[22] Filed: **Aug. 14, 1991**

[52] U.S. Cl. .... **D25/124**

[58] Field of Search ..... **D25/119-125, D25/52; 49/501, 504, DIG. 2**

[56] **References Cited**

### U.S. PATENT DOCUMENTS

D. 49,667	9/1916	Landine .....	D25/124
D. 263,753	4/1982	Dallaire .....	D25/124
D. 301,068	5/1989	Dallaire et al. ....	D25/124
D. 307,485	4/1990	Westphal et al. ....	D25/124

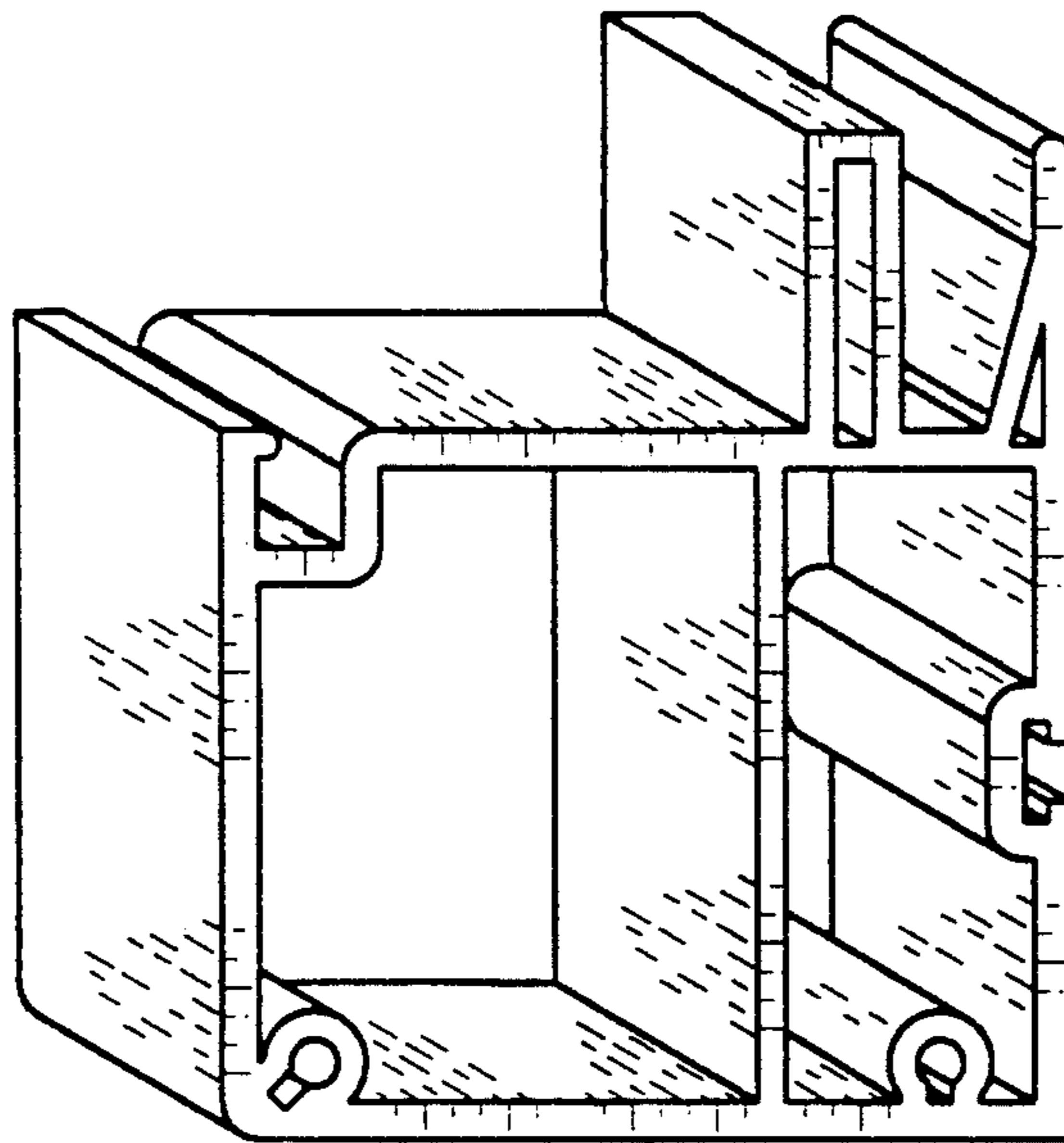
*Primary Examiner*—A. Hugo Word  
*Assistant Examiner*—Doris Clark  
*Attorney, Agent, or Firm*—Seed and Berry

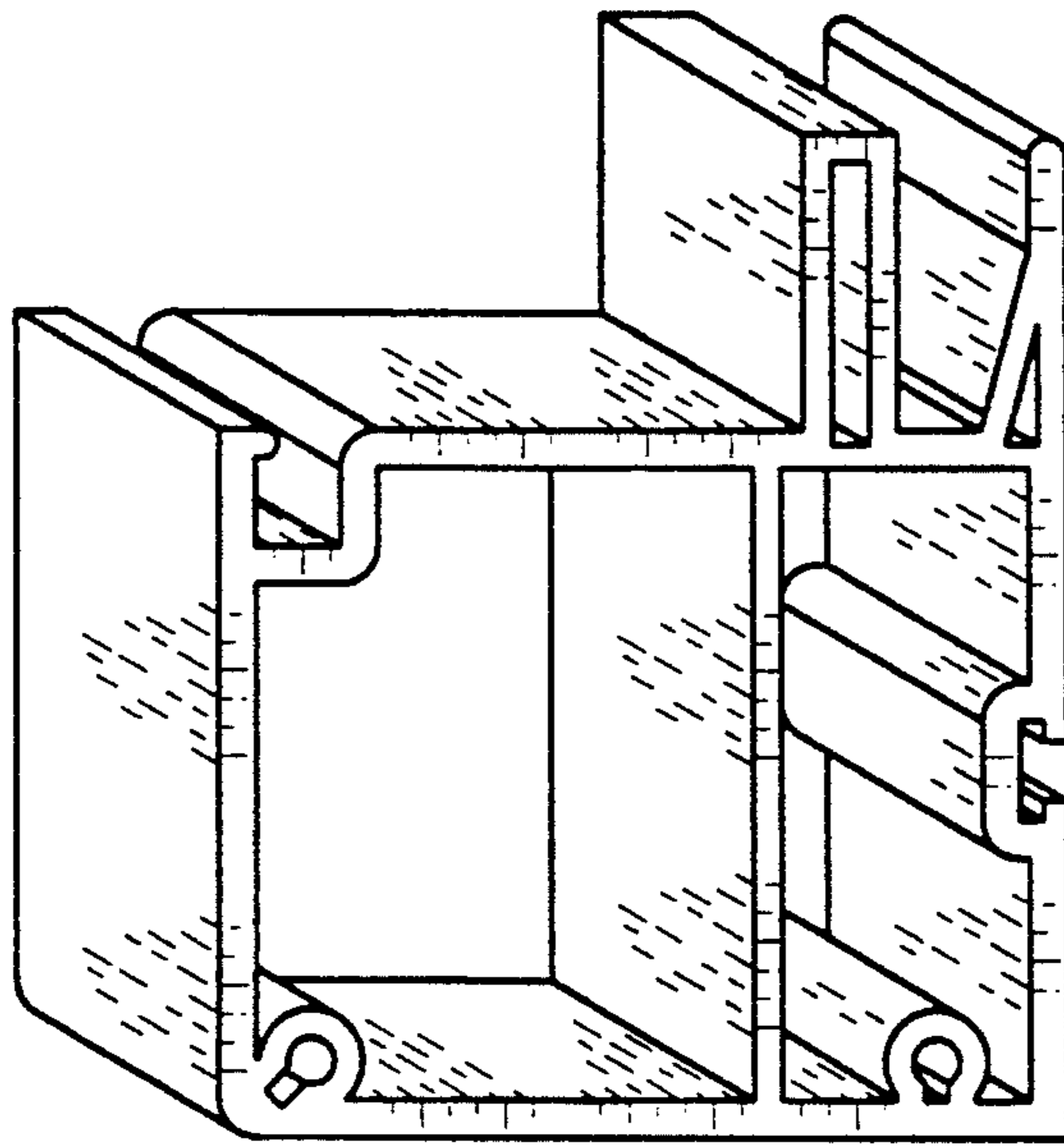
[57] **CLAIM**

The ornamental design for a window component extrusion, as shown and described.

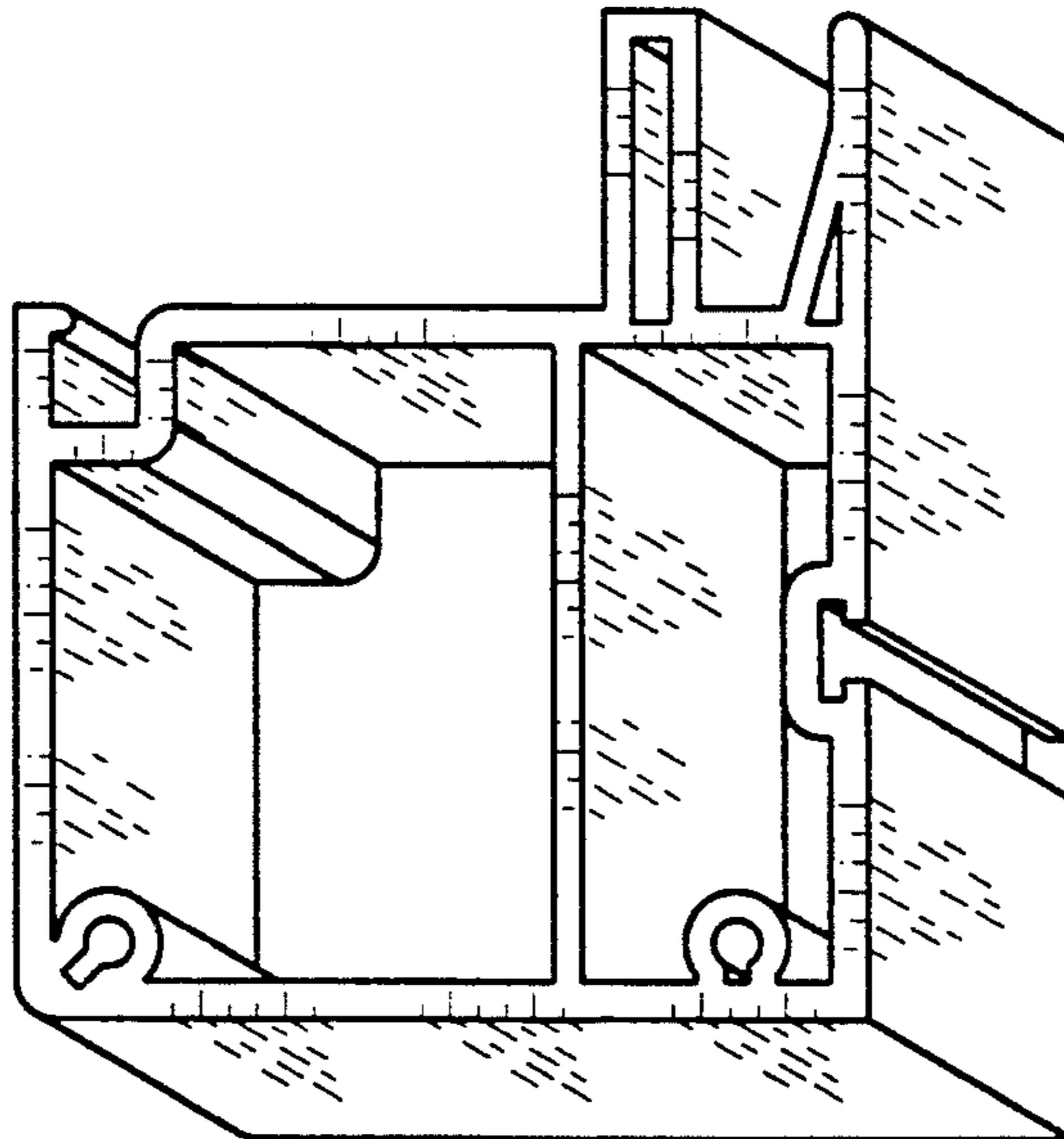
### DESCRIPTION

FIG. 1 is a perspective view of a window component extrusion showing my new design viewed from the top right; and, FIG. 2 is a perspective view thereof viewed from the bottom left.





*FIG. 1*



*FIG. 2*