



US00D342795S

United States Patent [19]

[11] Patent Number: **Des. 342,795**

Harrison

[45] Date of Patent: **** Dec. 28, 1993**

[54] **RETAINING WALL BLOCK**

[75] Inventor: **Cloyce D. Harrison**, Albuquerque, N. Mex.

[73] Assignee: **CSTW, Inc.**, Albuquerque, N. Mex.

[*] Notice: The portion of the term of this patent subsequent to Oct. 26, 2007 has been disclaimed.

[**] Term: **14 Years**

[21] Appl. No.: **936,908**

[22] Filed: **Aug. 27, 1992**

[52] U.S. Cl. **D25/118**

[58] Field of Search **D25/114-118; 52/590, 596, 605, 608, 602, 610; 405/284**

[56] **References Cited**

U.S. PATENT DOCUMENTS

D. 255,787	7/1980	Morehead, Jr.	D25/118
D. 266,361	9/1982	Coelho dos Santos	D25/114
D. 275,997	10/1984	Rassias et al.	D25/114
868,838	10/1907	Brenington	52/591
2,022,590	11/1935	Dziarski	52/605
2,688,245	9/1954	Vesper	D25/118
4,627,209	12/1986	Schwartz	52/593

Primary Examiner—A. Hugo Word

Assistant Examiner—Doris Clark

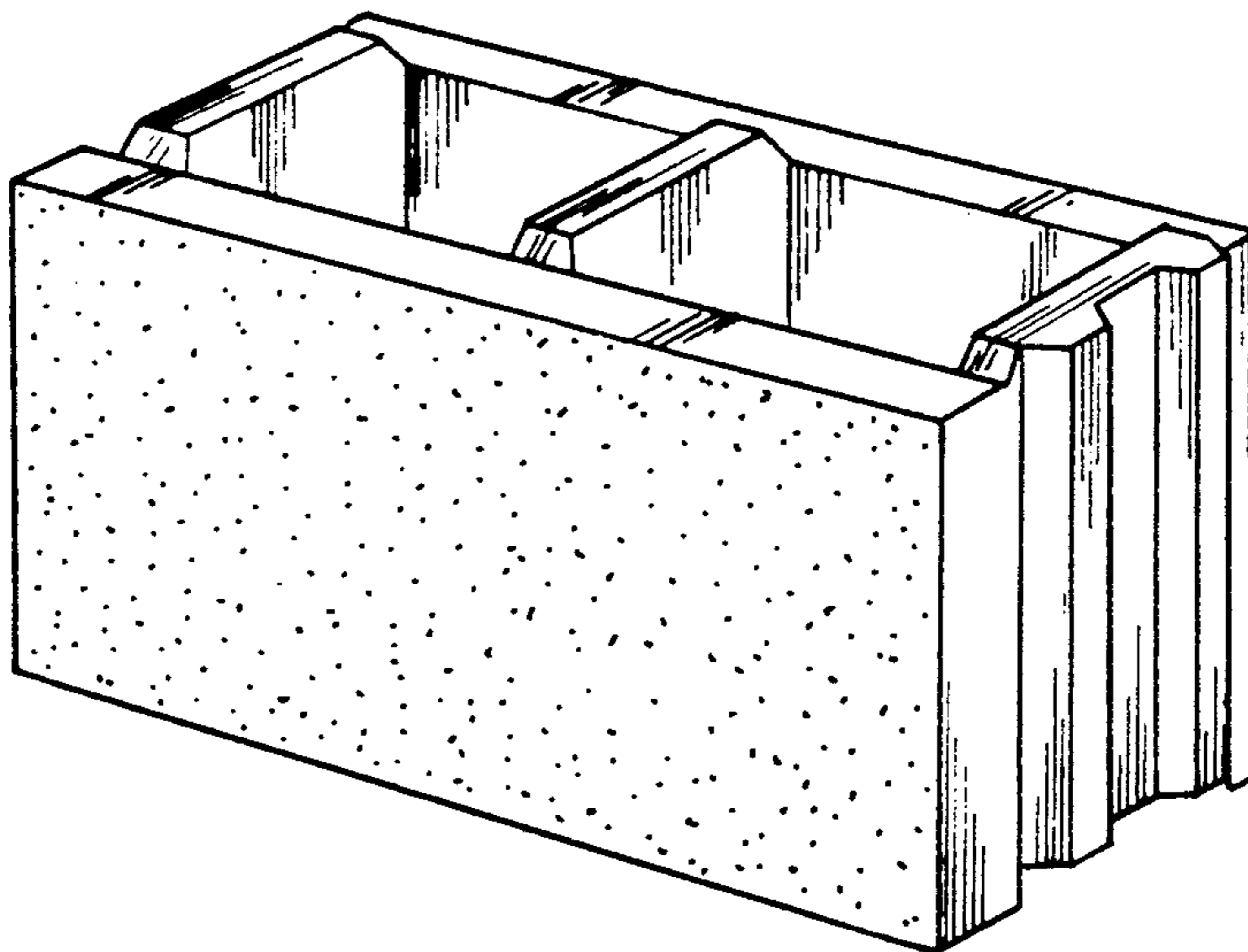
Attorney, Agent, or Firm—Dennis F. Armijo; Deborah A. Peacock

[57] **CLAIM**

The ornamental design for a retaining wall block, as shown and described.

DESCRIPTION

FIG. 1 is a right side perspective view of a first embodiment of the retaining wall block of my new design; FIG. 2 is a left side perspective view thereof; FIG. 3 is a top view thereof; FIG. 4 is a front elevational view thereof; FIG. 5 is a side view of the right side thereof; FIG. 6 is a side view of the left side thereof; FIG. 7 is a rear elevational view thereof; FIG. 8 is a bottom view thereof; FIG. 9 is a right side perspective view of a second embodiment of the retaining wall block of my new design; FIG. 10 is a left side perspective view of the embodiment of FIG. 9; FIG. 11 is a top view of FIG. 9; FIG. 12 is a front elevational view of FIG. 9; FIG. 13 is a side view of the right side of FIG. 9; FIG. 14 is a side view of the left side of FIG. 9; FIG. 15 is a rear elevational view of FIG. 9; and, FIG. 16 is a bottom view of FIG. 9.



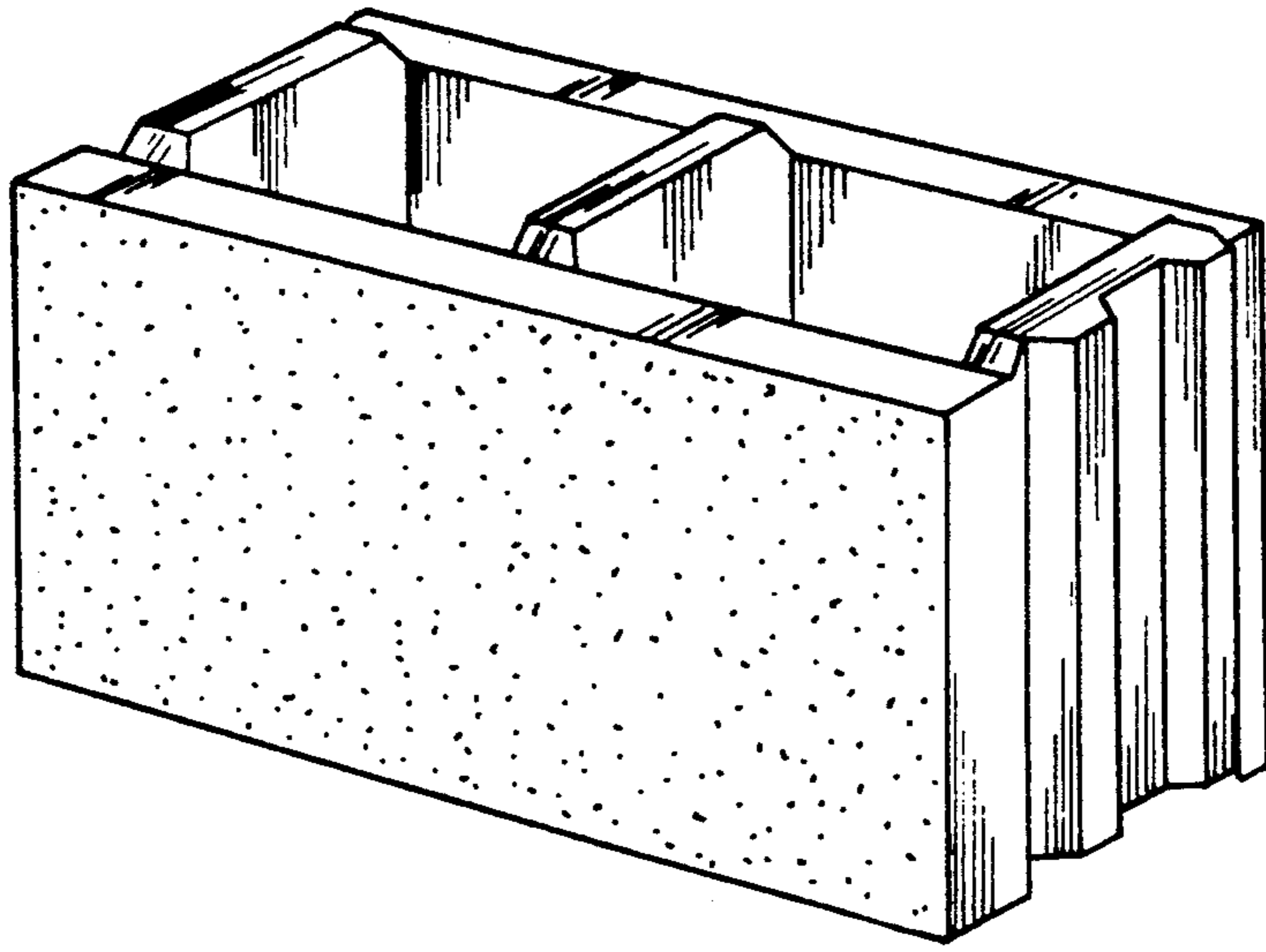


FIG - 1

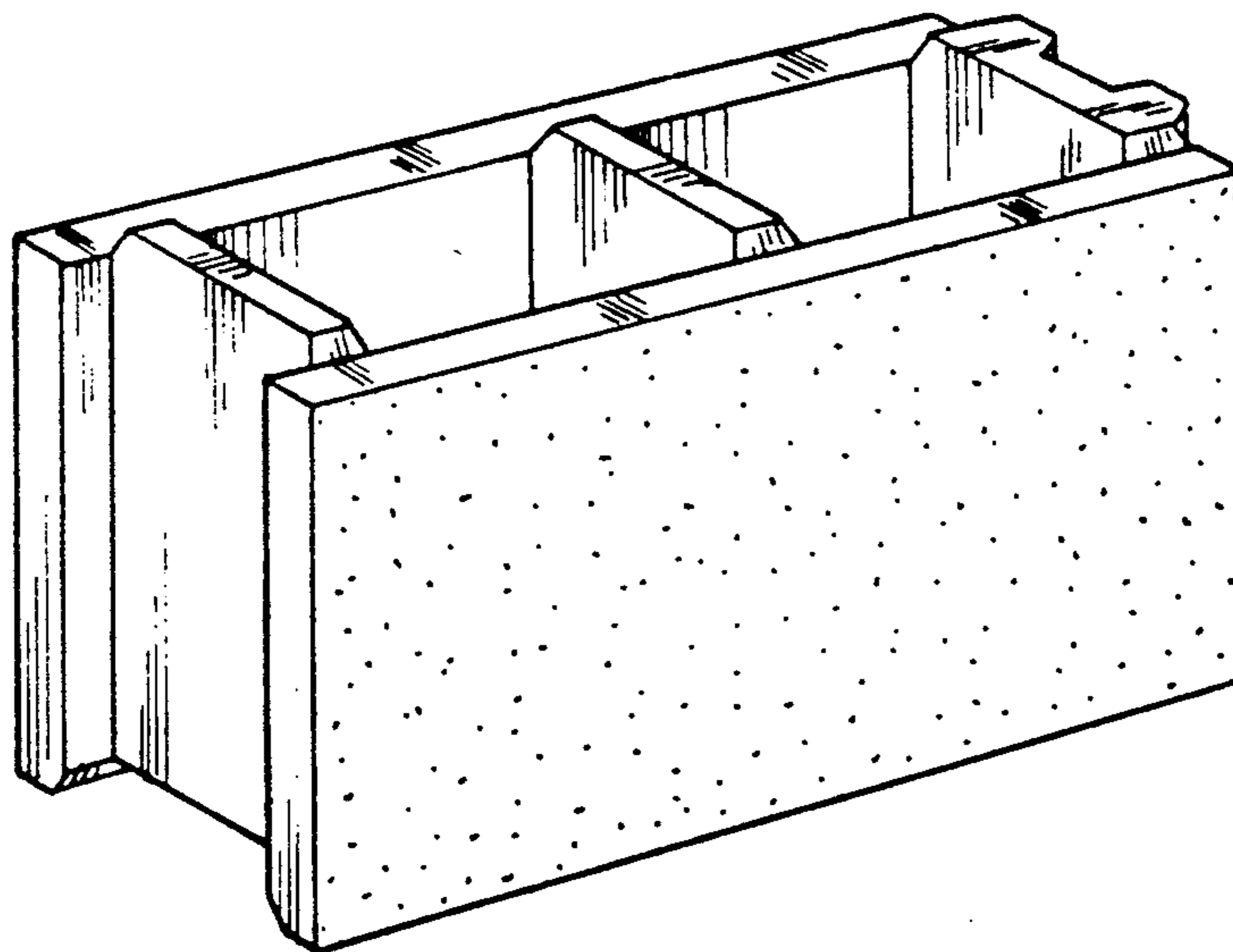


FIG - 2

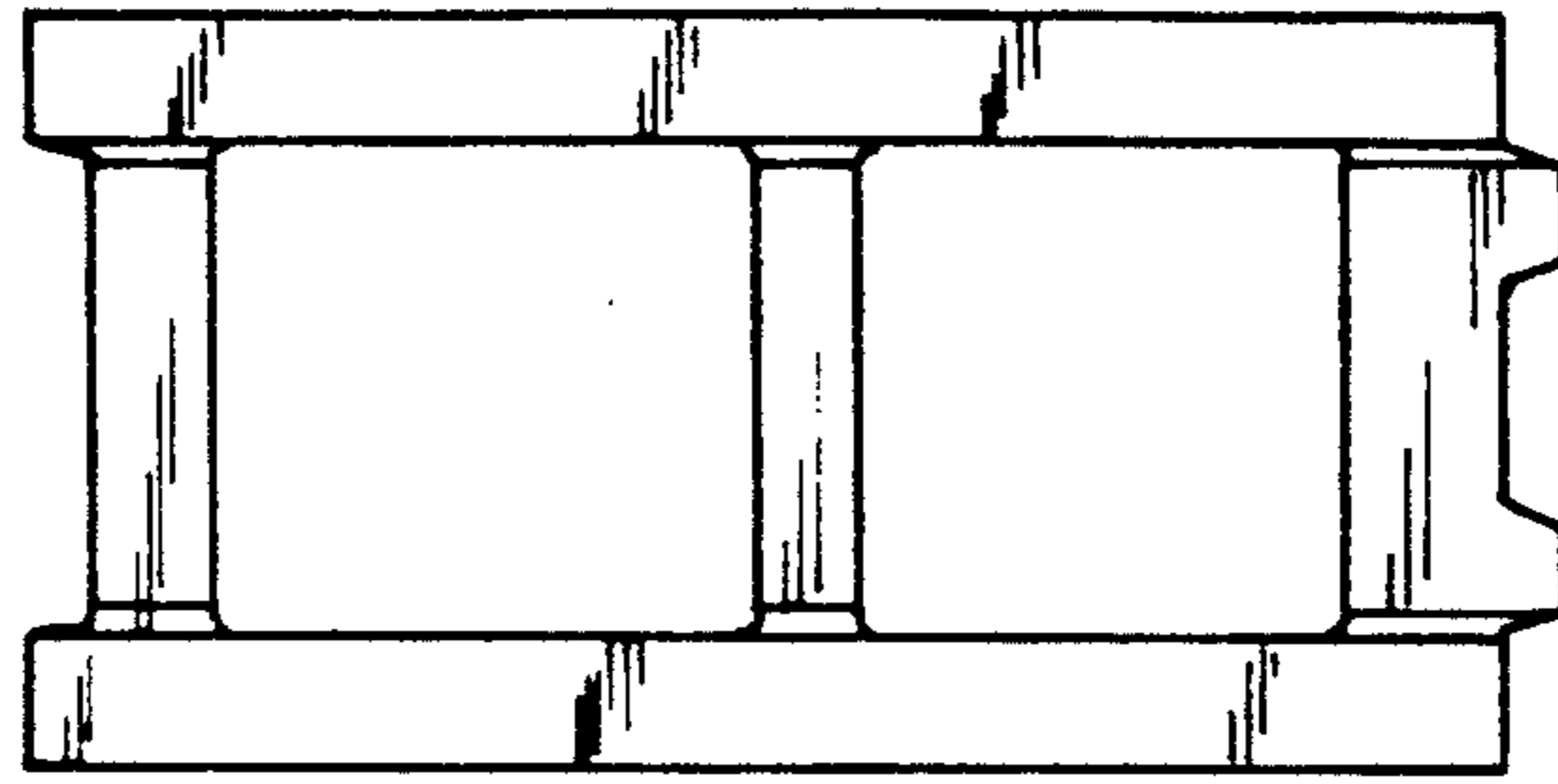


FIG-3

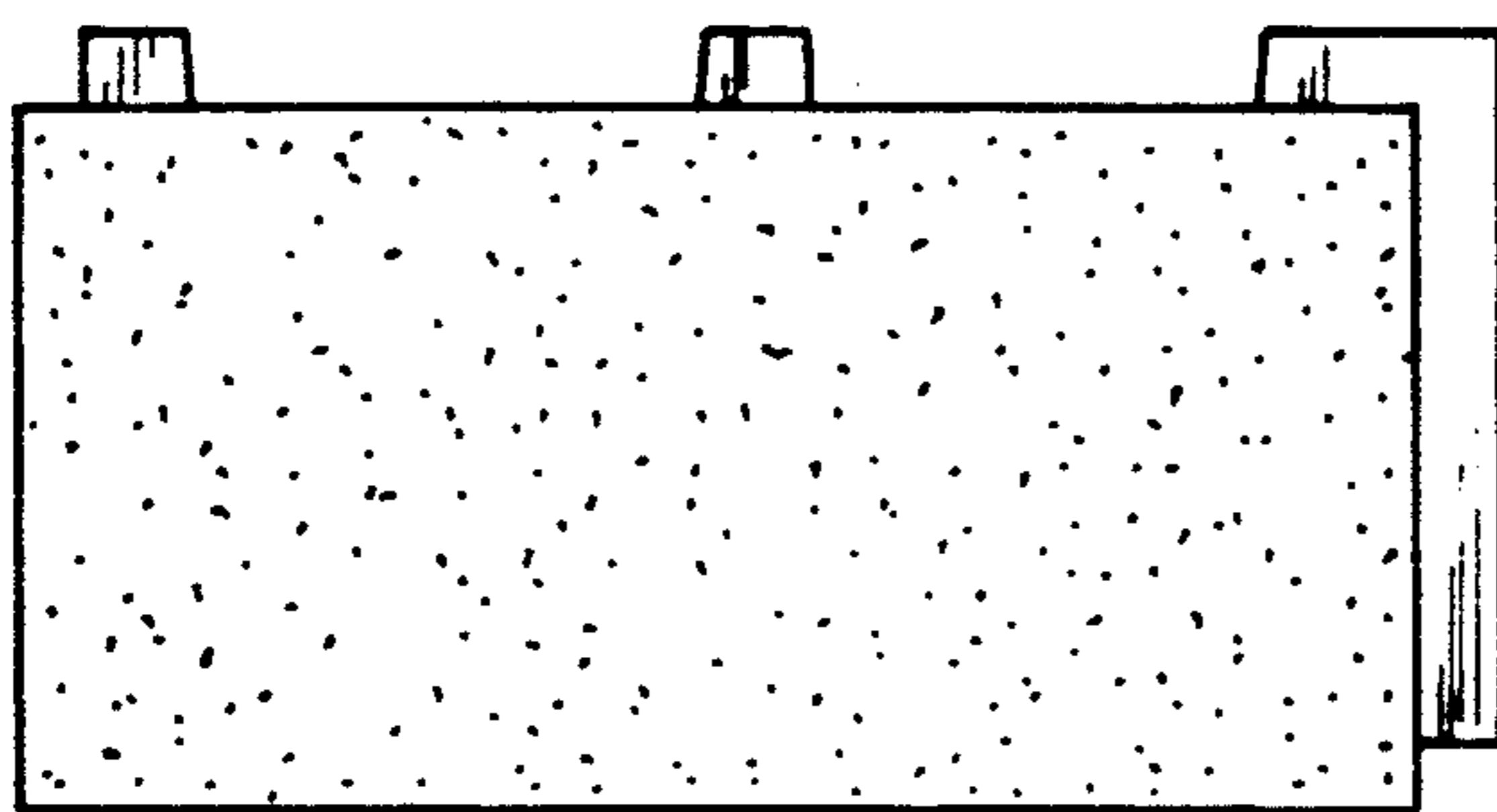


FIG-4

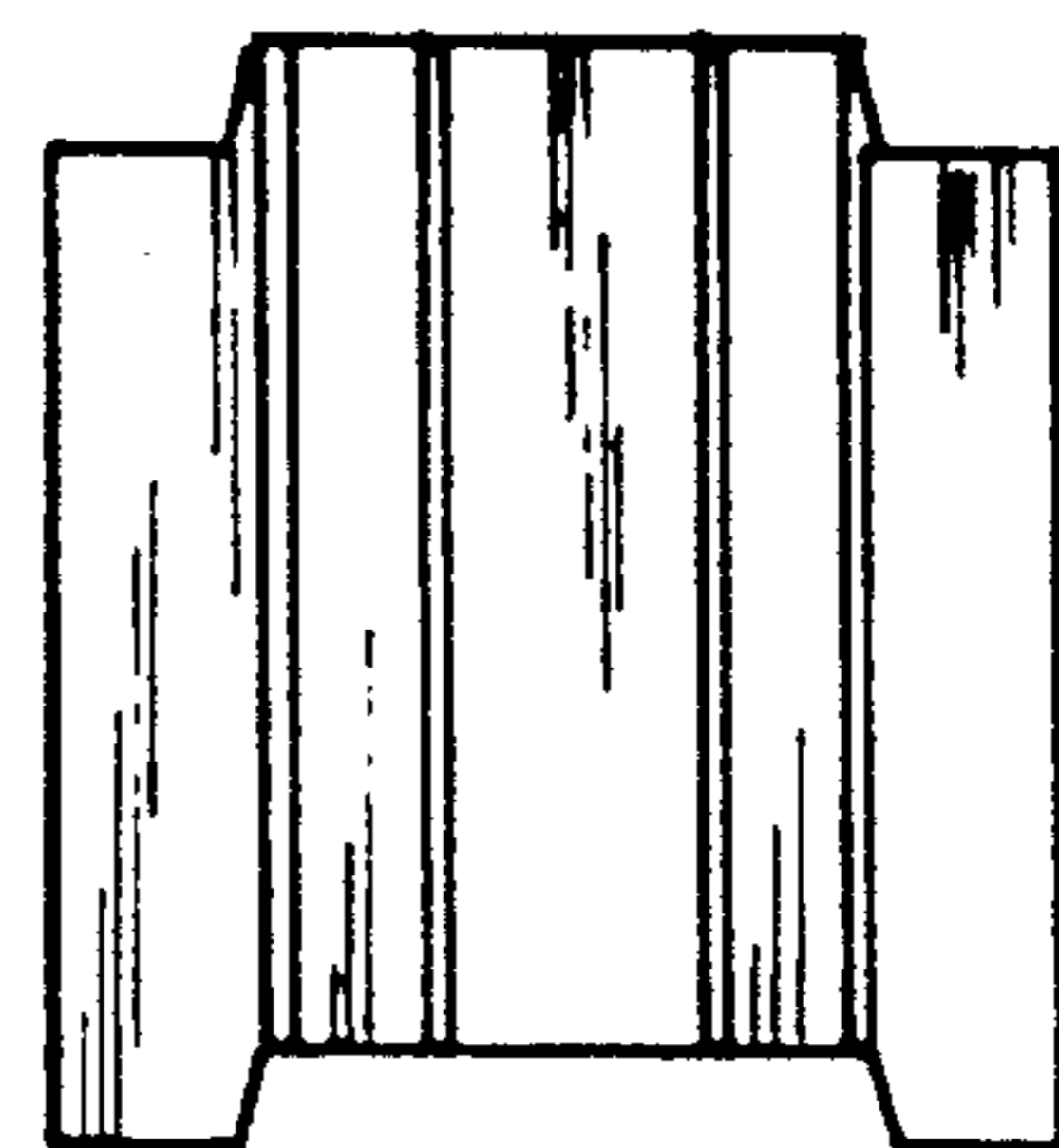


FIG-5

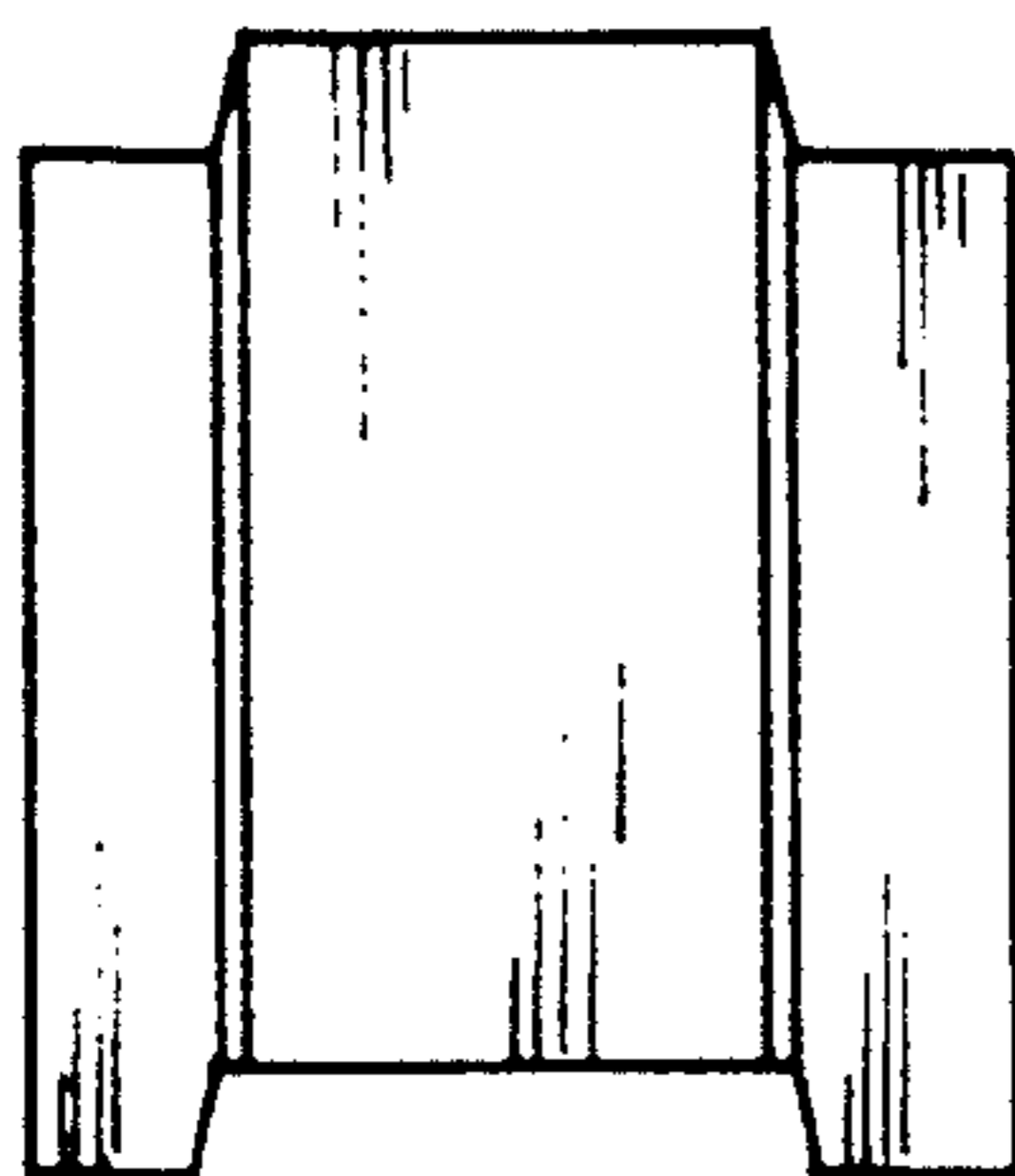


FIG-6

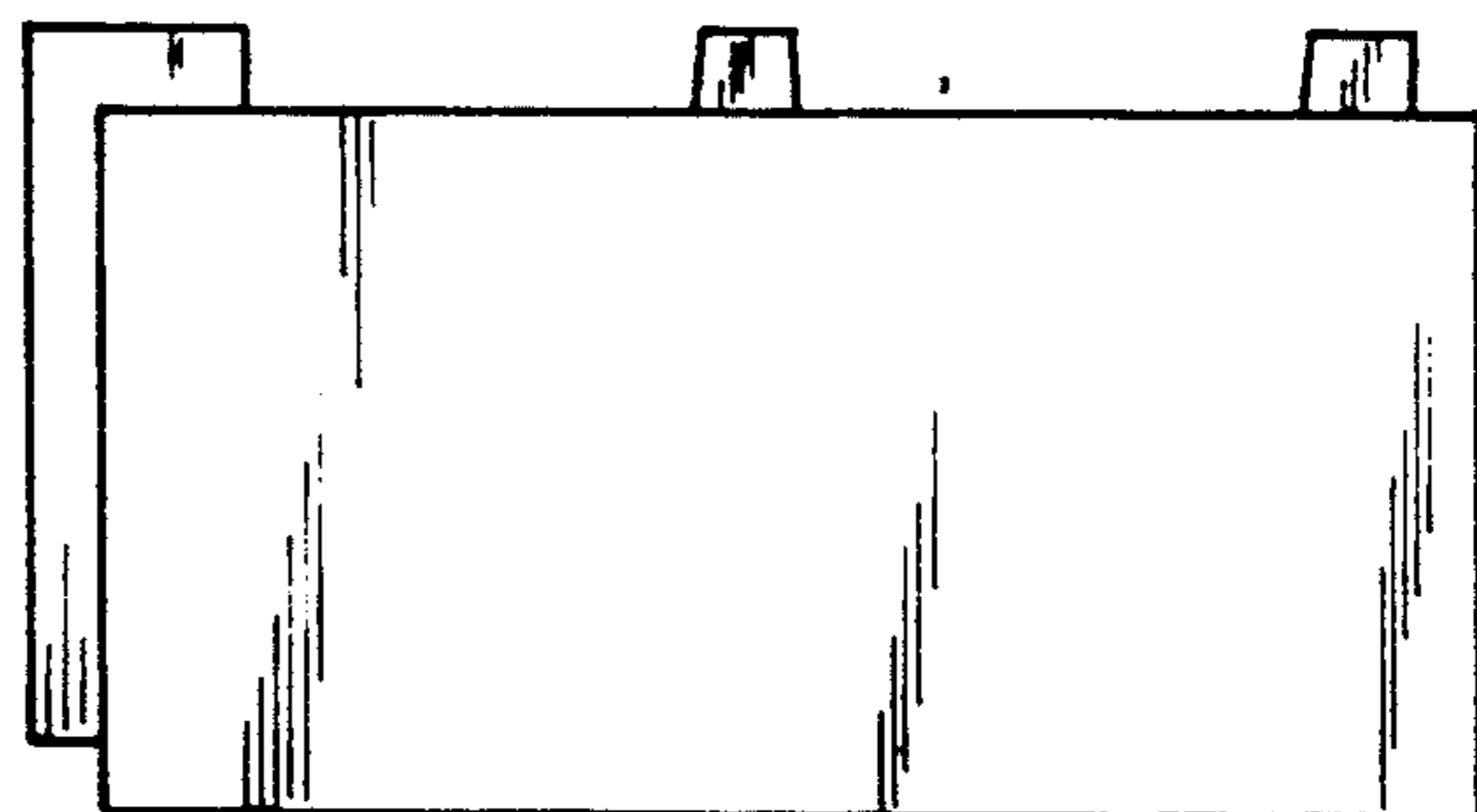


FIG-7

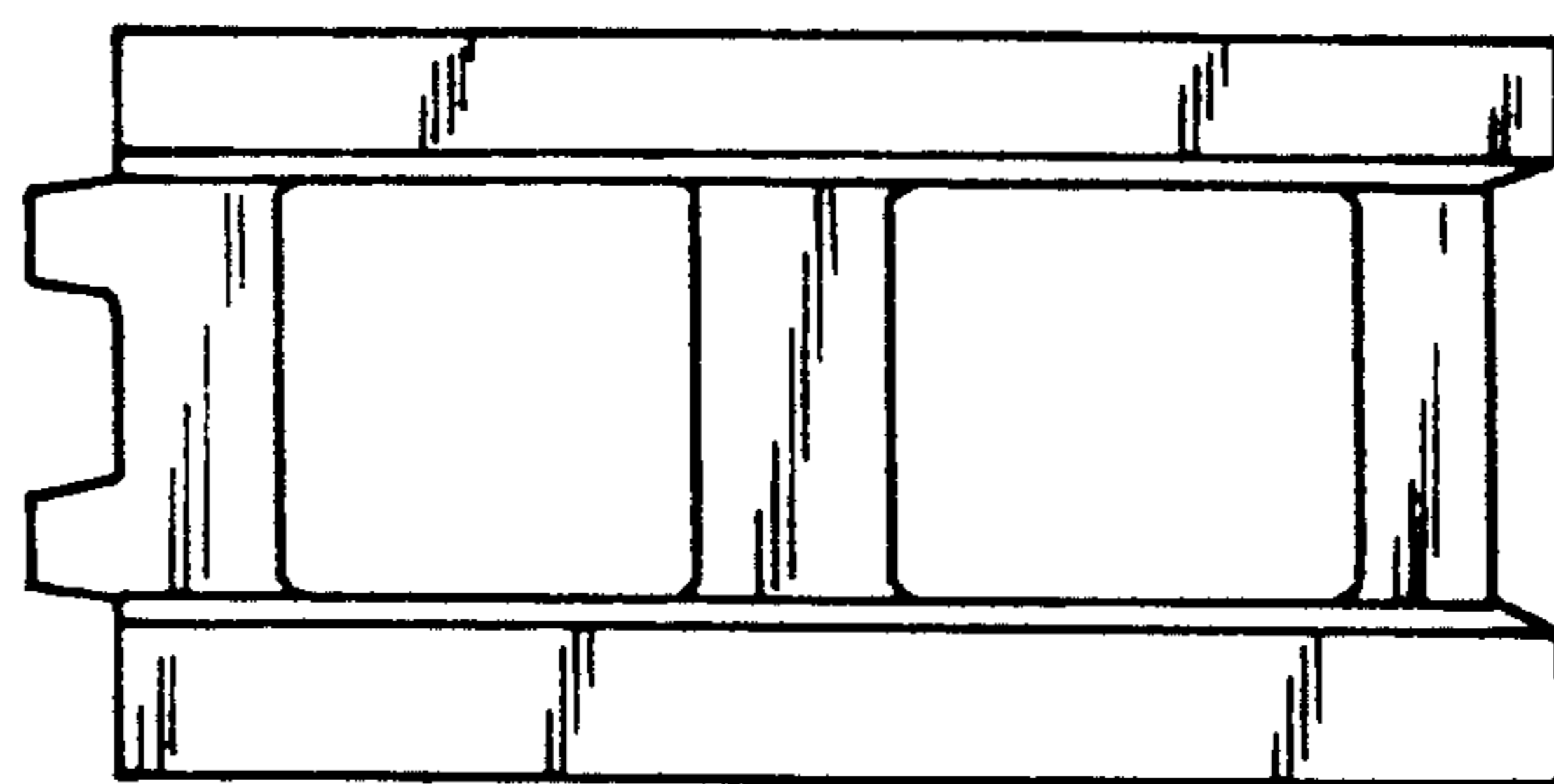


FIG-8

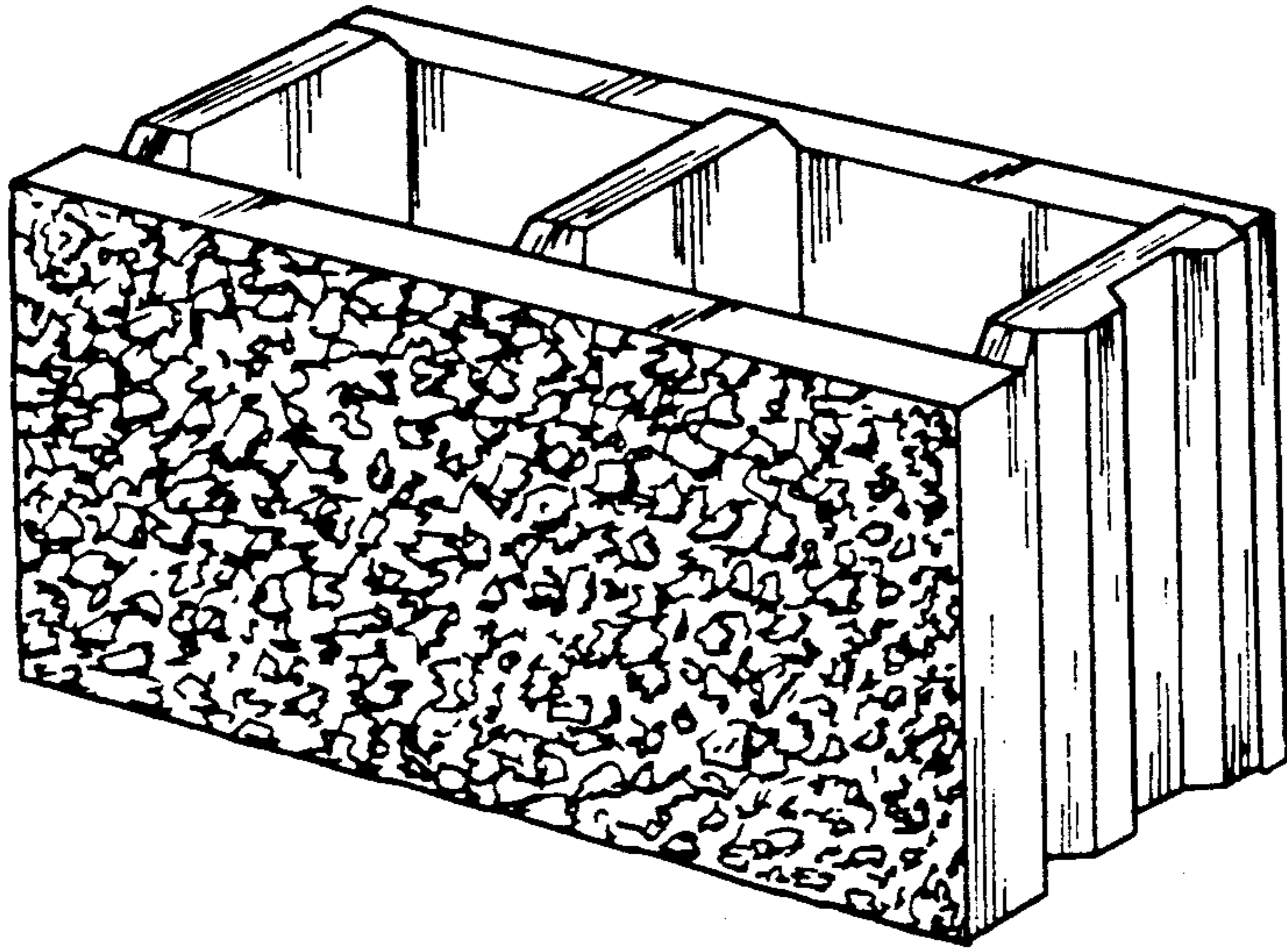


FIG-9

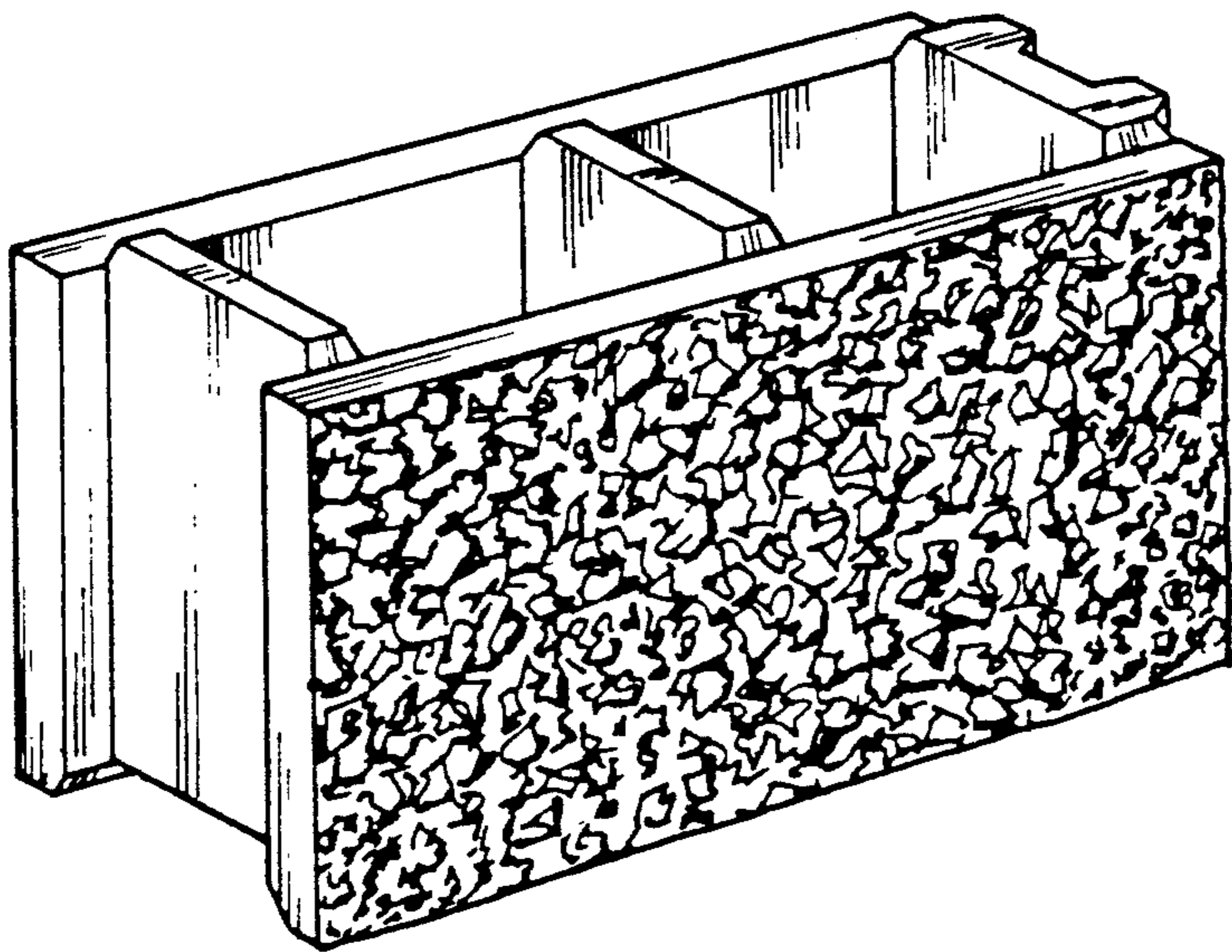


FIG-10

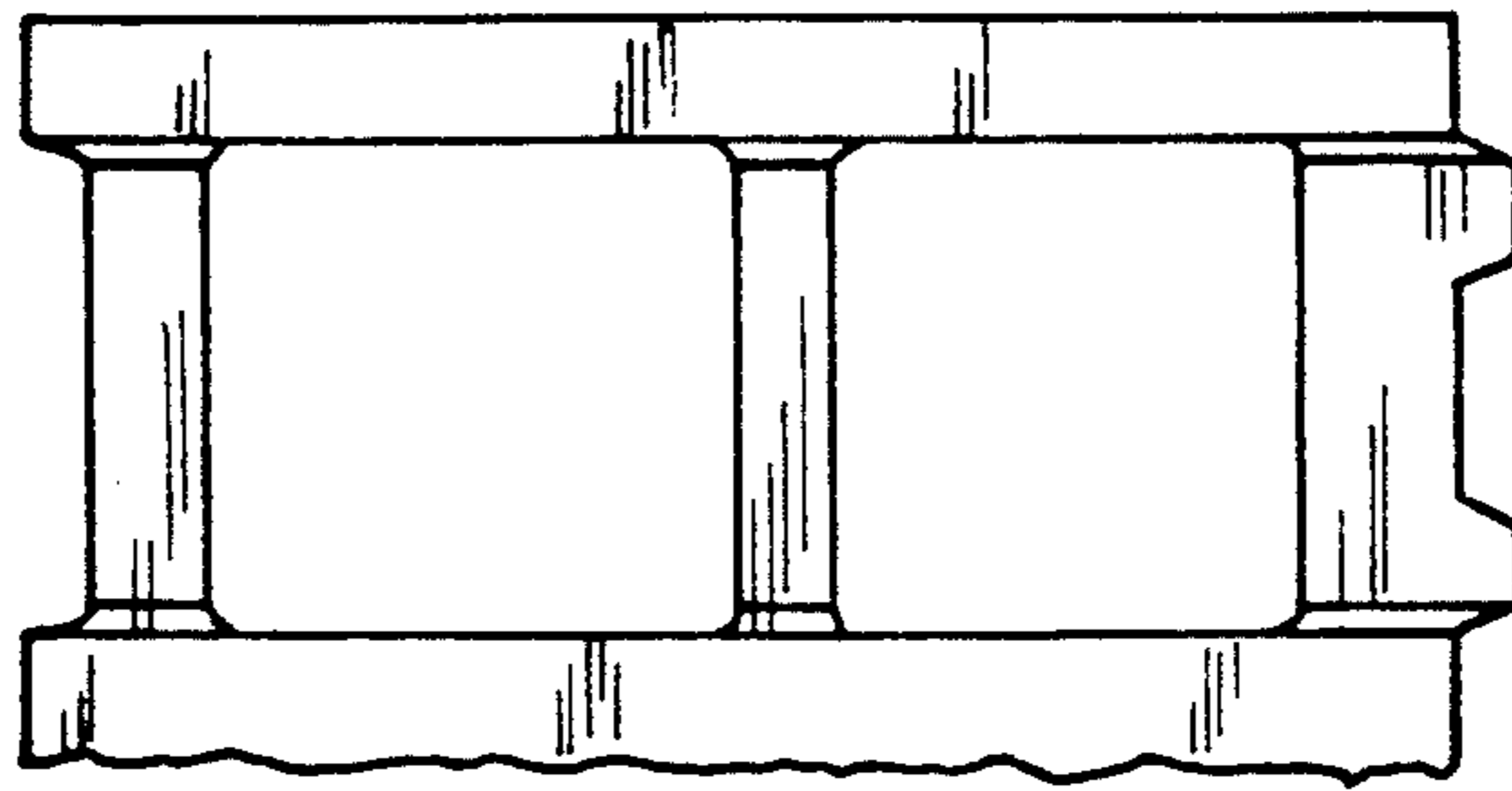


FIG-11

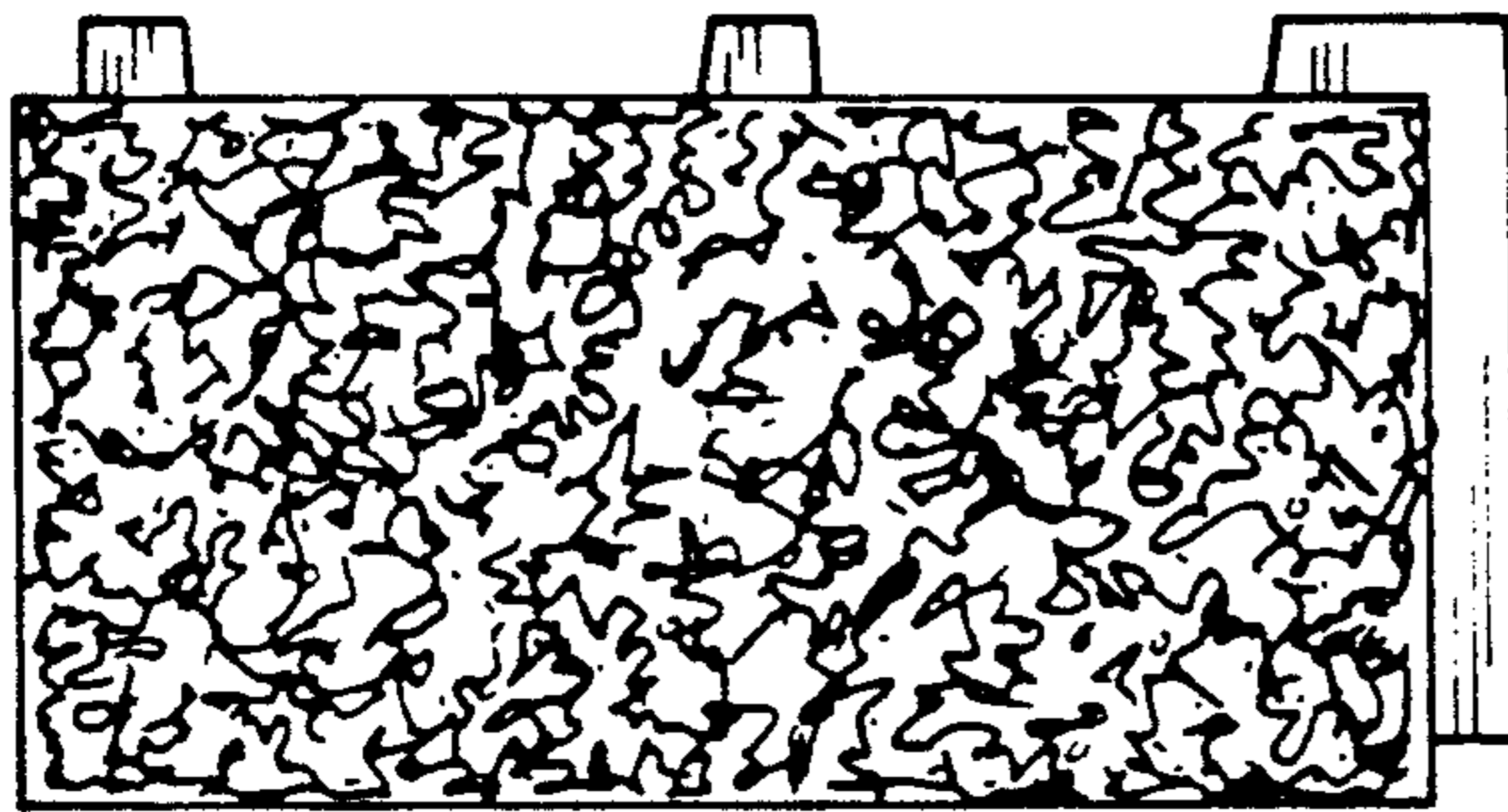


FIG-12

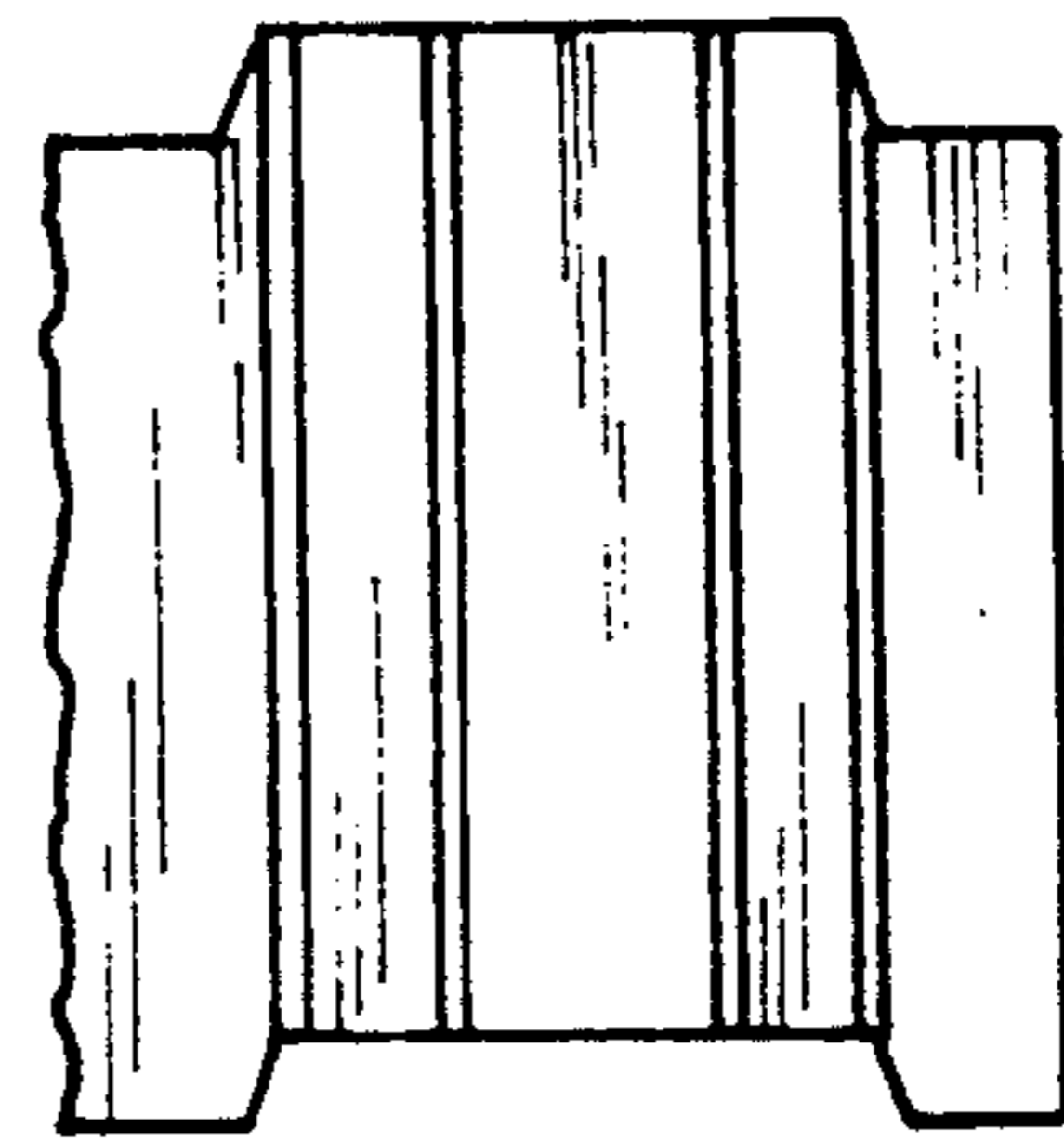


FIG-13

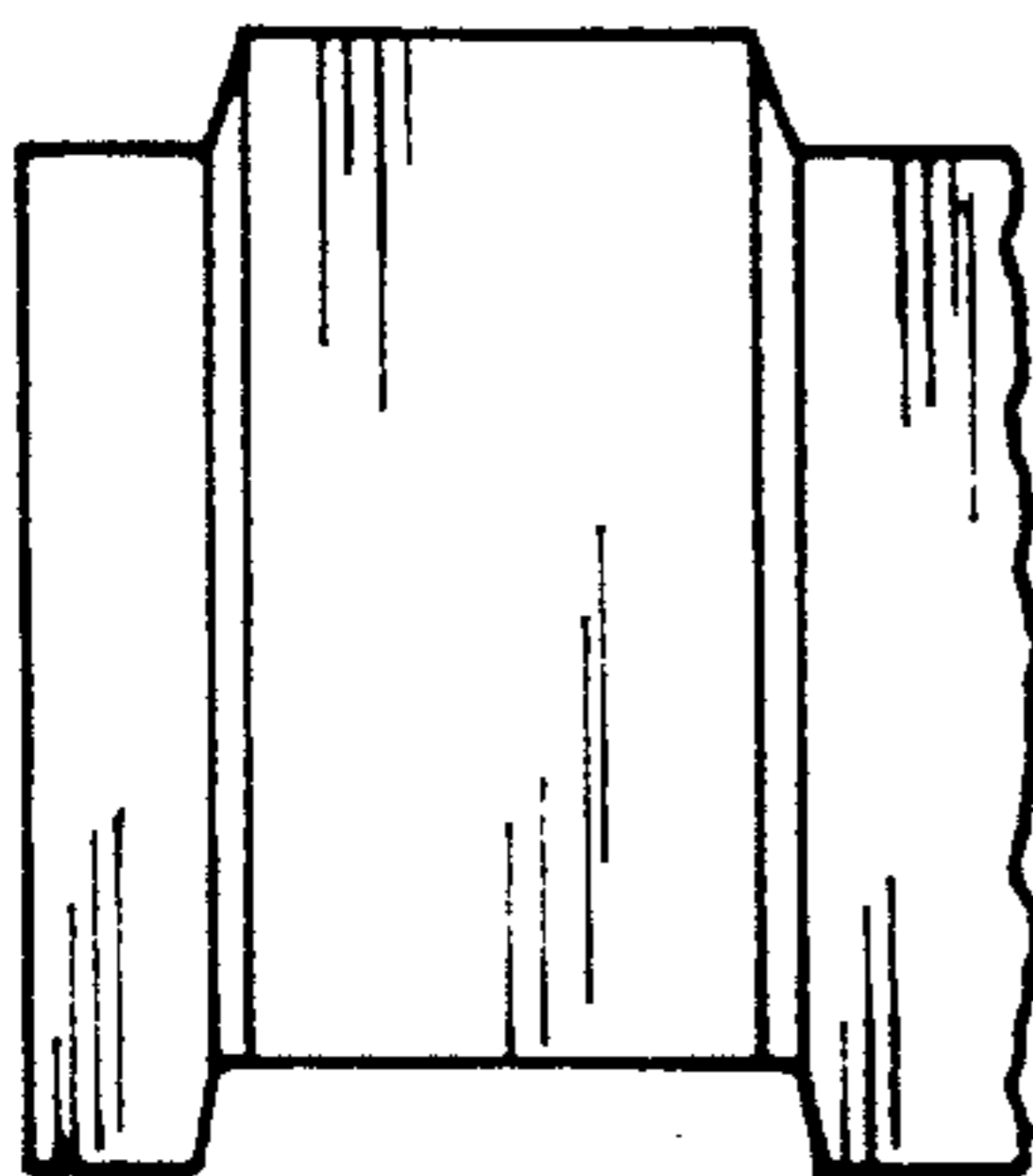


FIG-14

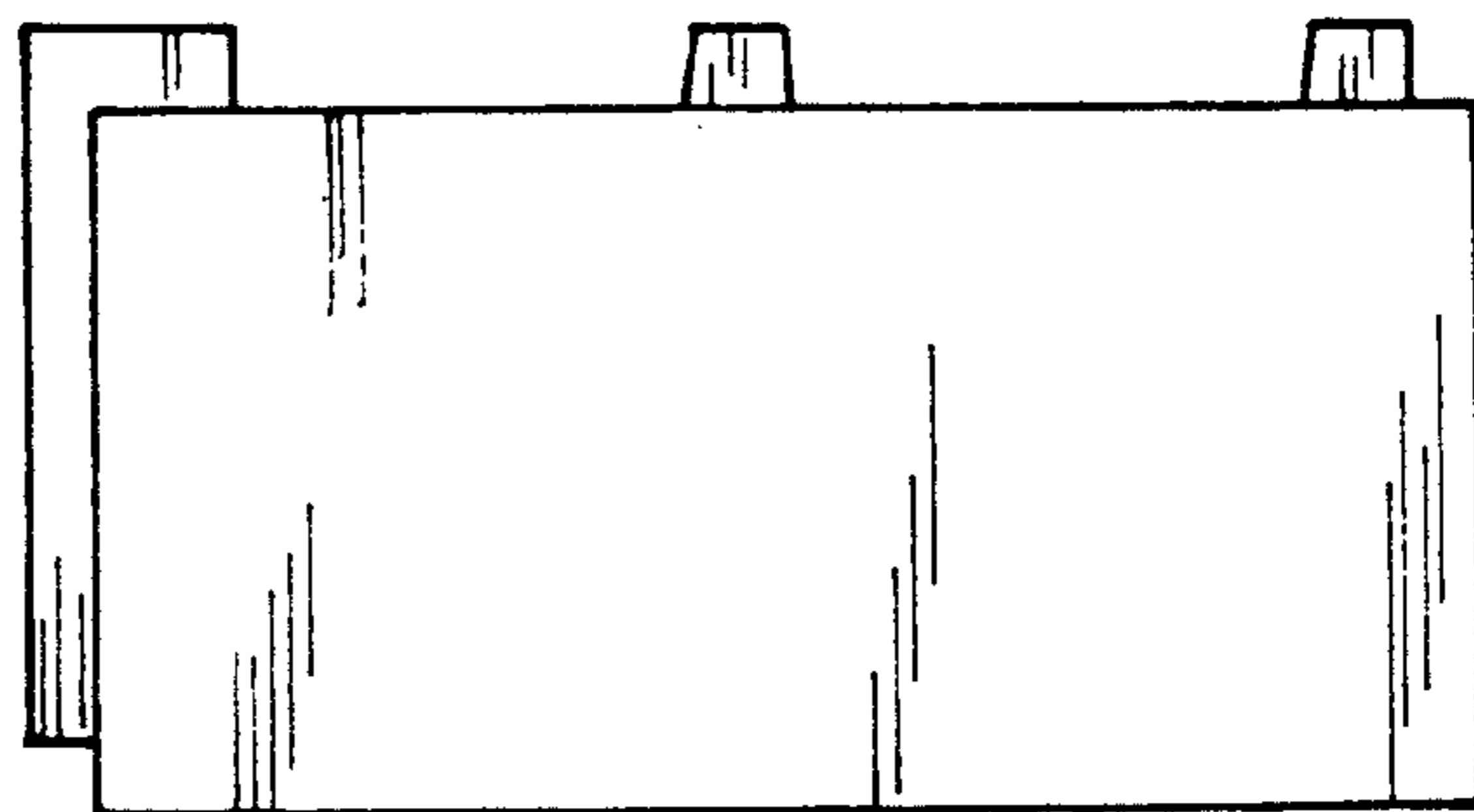


FIG-15

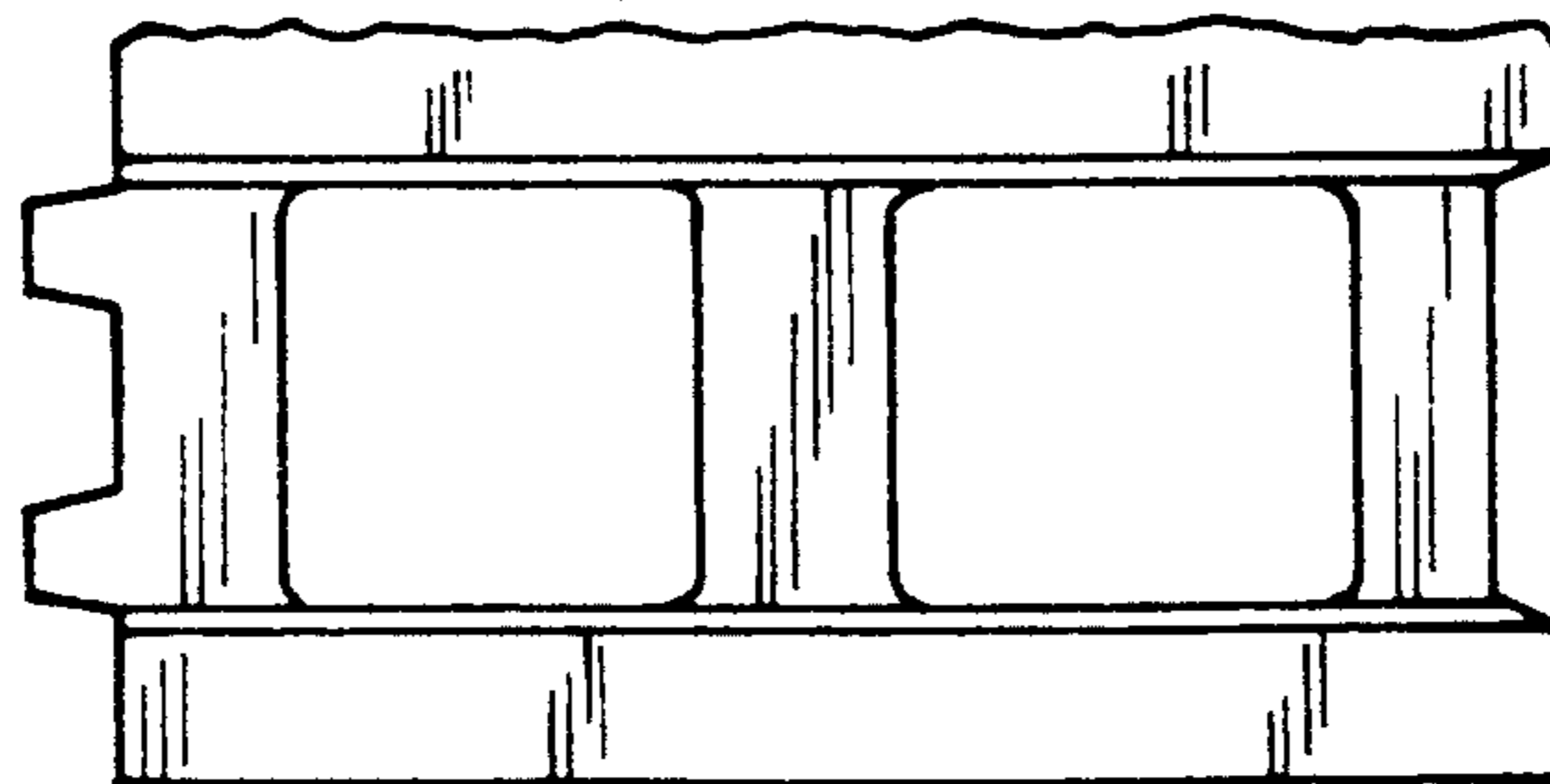


FIG-16