



US00D342792S

# United States Patent [19]

[11] Patent Number: **Des. 342,792**

Charm et al.

[45] Date of Patent: **\*\* Dec. 28, 1993**

[54] **MICROBIAL TEST MACHINE FOR SEQUENTIALLY TIMED HEATING, COOLING AND INCUBATION OF TEST SAMPLES**

4,408,469	10/1983	Forth	.....	D24/232	X
4,509,587	4/1985	Clark et al.	.....	165/61	
4,778,969	10/1988	Le Viet	.		
4,807,442	2/1989	Linner et al.	.....	D24/107	X
5,137,698	8/1992	Ansorge et al.	.....	435/287	X

[75] Inventors: **Stanley E. Charm**, Boston; **Steven Landau**, Brookline; **Kenneth T. Sabin**, Hanover; **Eliezer Zomer**, Newton, all of Mass.

*Primary Examiner*—Louis S. Zarfaz  
*Assistant Examiner*—I. Simmons  
*Attorney, Agent, or Firm*—Richard P. Crowley

[73] Assignee: **Charm Sciences, Inc.**, Malden, Mass.

[57] **CLAIM**

[\*\*] Term: **14 Years**

The ornamental design for a microbial test machine for sequentially timed heating, cooling and incubation of test samples, as shown and described.

[21] Appl. No.: **647,670**

[22] Filed: **Jan. 29, 1991**

**DESCRIPTION**

[52] U.S. Cl. .... **D24/216; D24/232**

[58] Field of Search ..... **D24/216, 231, 232; 165/61, 11.1, 12, 14; 422/188, 189, 196, 197, 198, 117, 99, 202, 284; 435/285, 289, 290**

FIG. 1 is a perspective view of a microbial test machine for sequentially timed heating, cooling and incubation of test samples showing our new design;

FIG. 2 is a top plan view of FIG. 1;

FIG. 3 is a side elevational view of FIG. 1;

FIG. 4 is the other side elevational view of FIG. 1;

FIG. 5 is a front elevational view of FIG. 1;

FIG. 6 is a bottom plan view of FIG. 1;

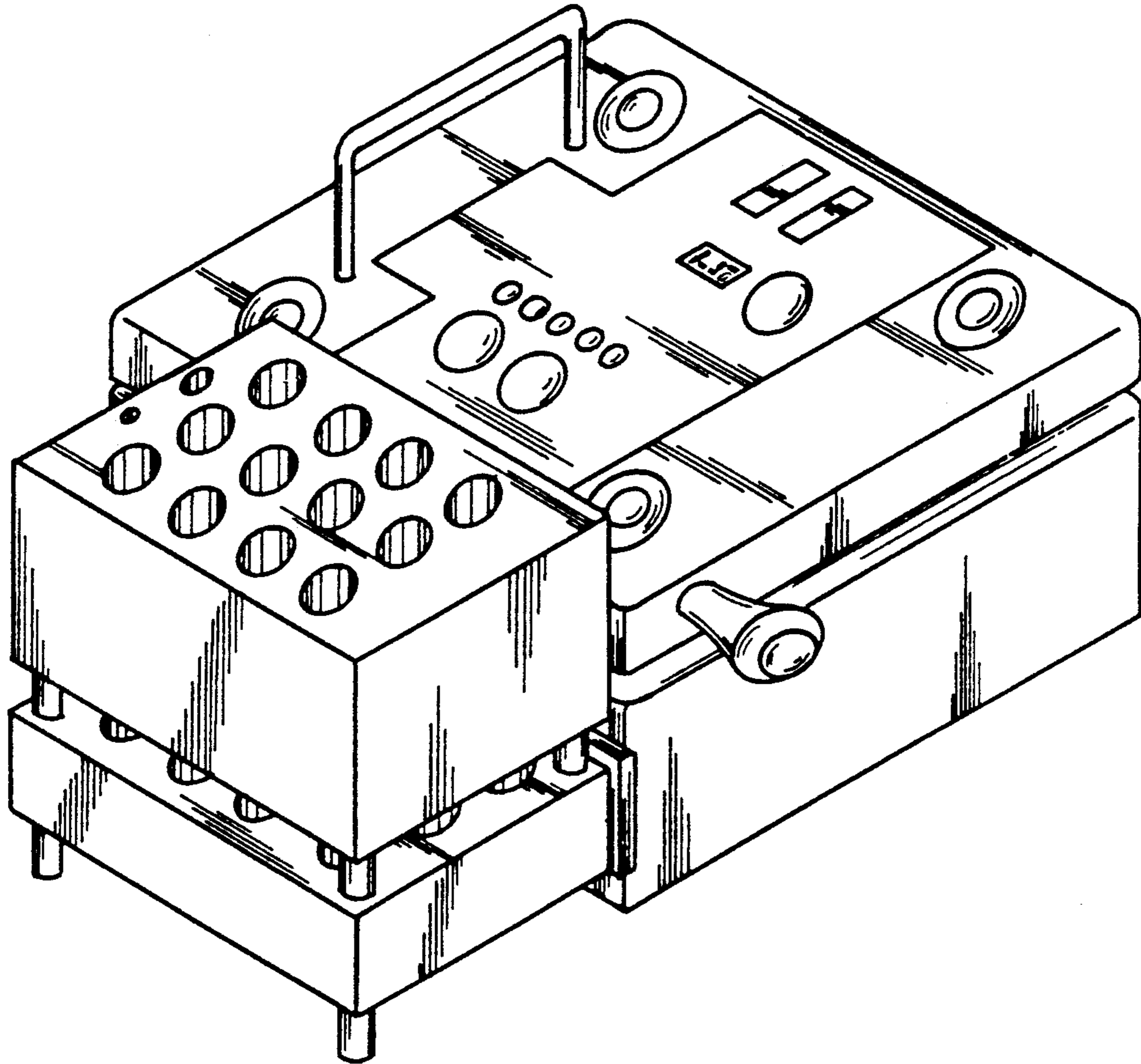
FIG. 7 is a back elevational view of FIG. 1; and,

FIG. 8 is a perspective view of FIG. 1 shown in the tilted test sample cooling incubation position.

[56] **References Cited**

**U.S. PATENT DOCUMENTS**

D. 323,895	2/1992	Protzmann	.....	D24/216	
2,805,554	9/1957	Schachttsiek	.....	165/61	X
4,250,264	2/1981	Nelson et al.	.		
4,346,754	8/1982	Imig et al.	.....	165/61	X



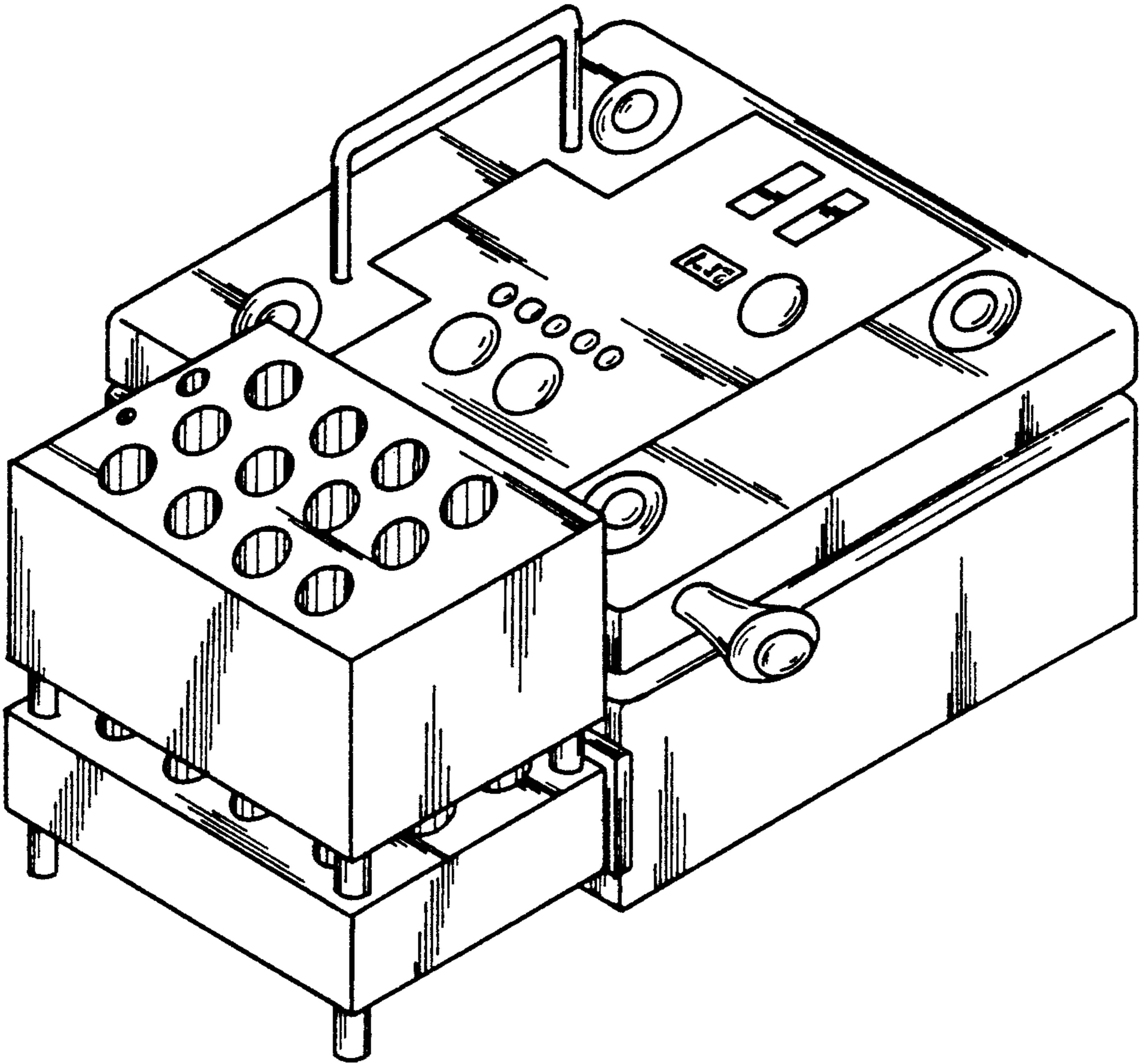


FIG. 1

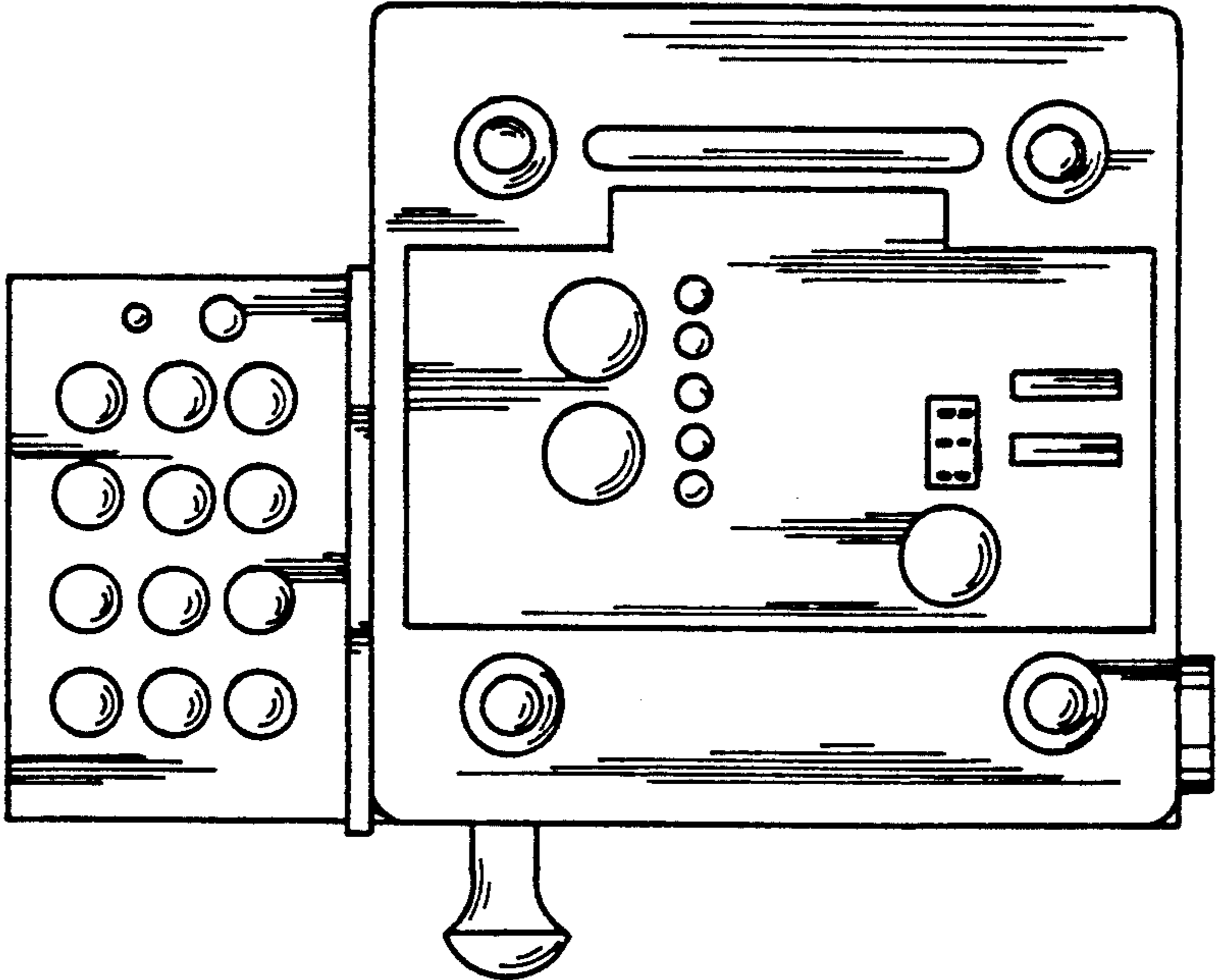


FIG. 2

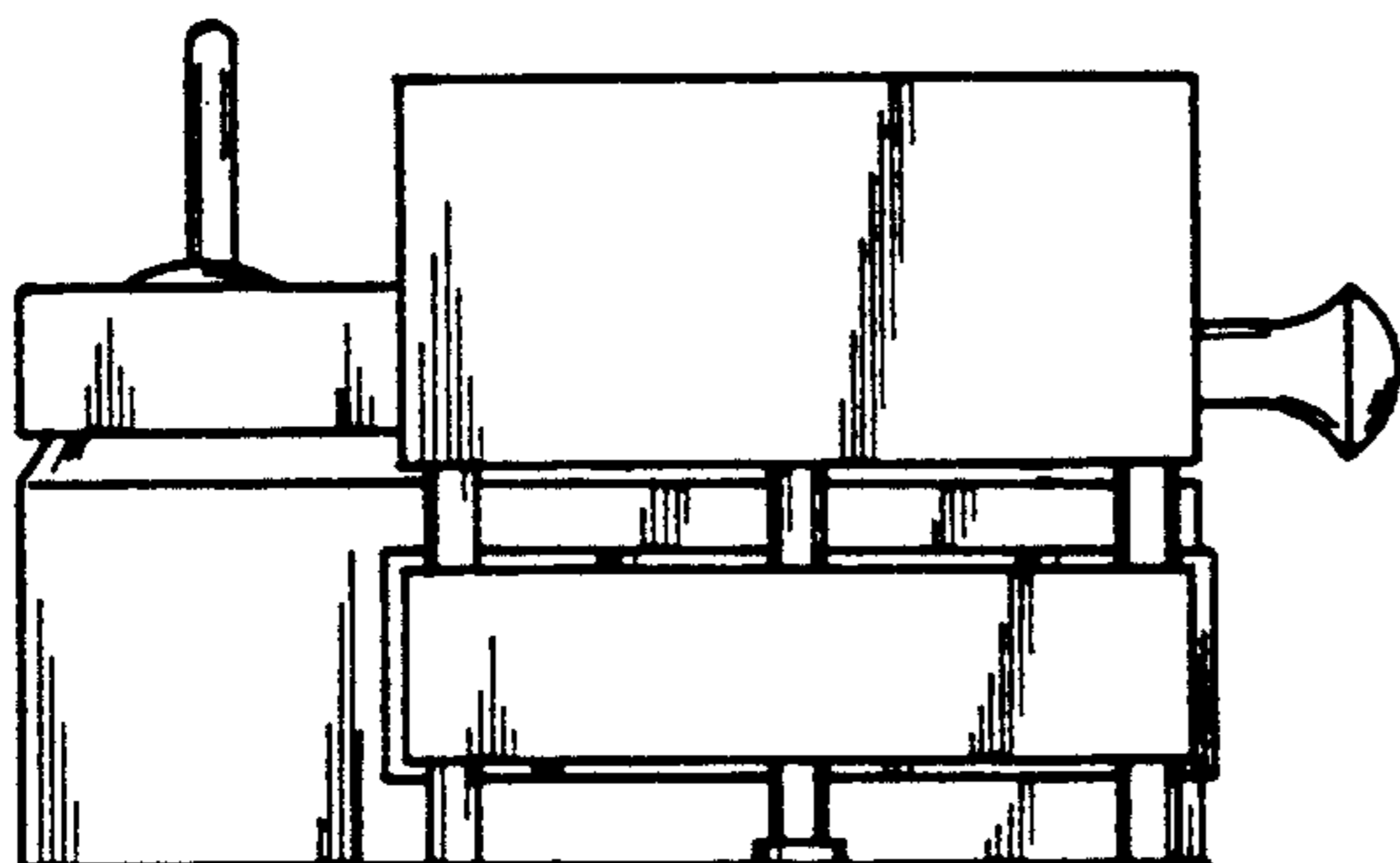


FIG. 3

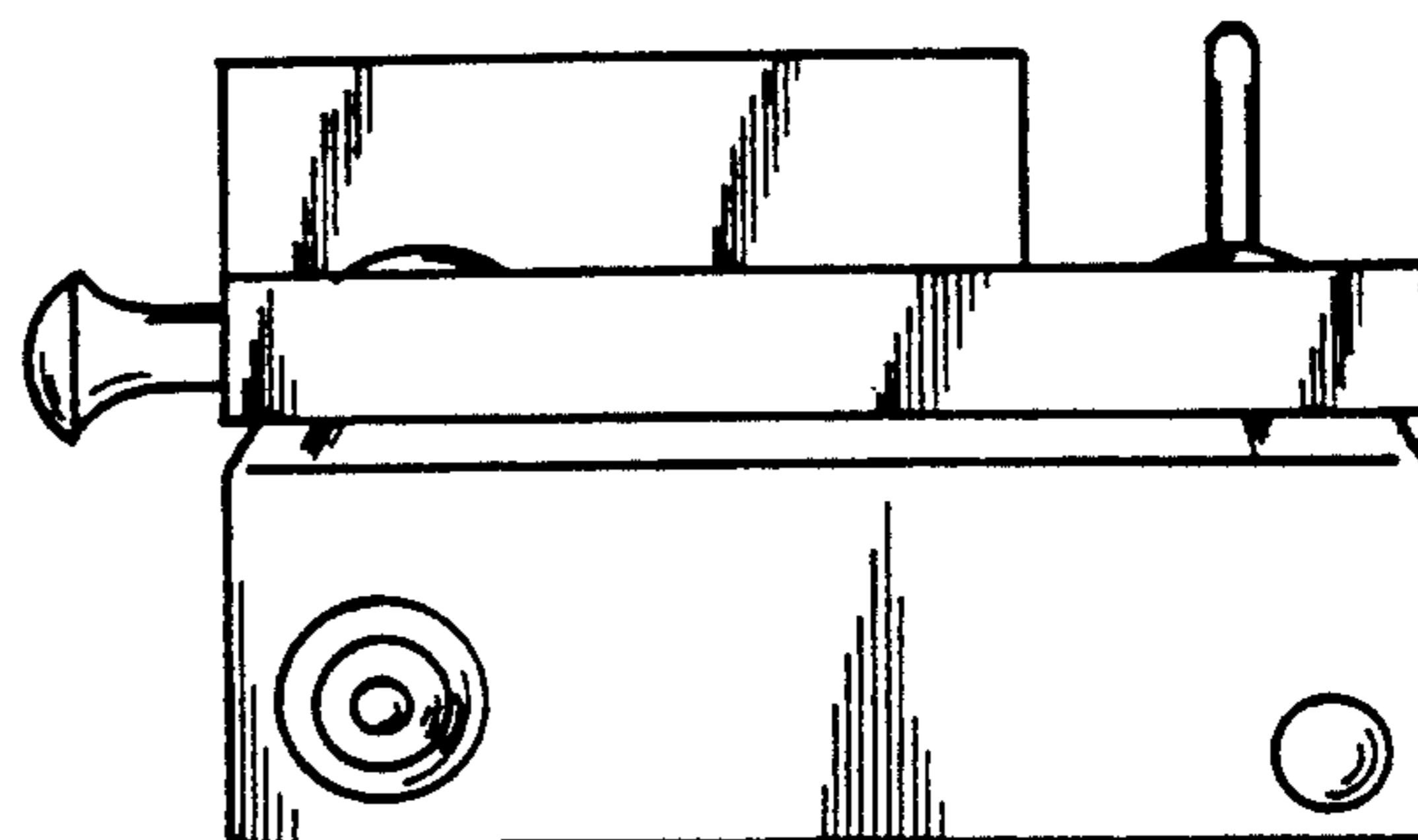


FIG. 4

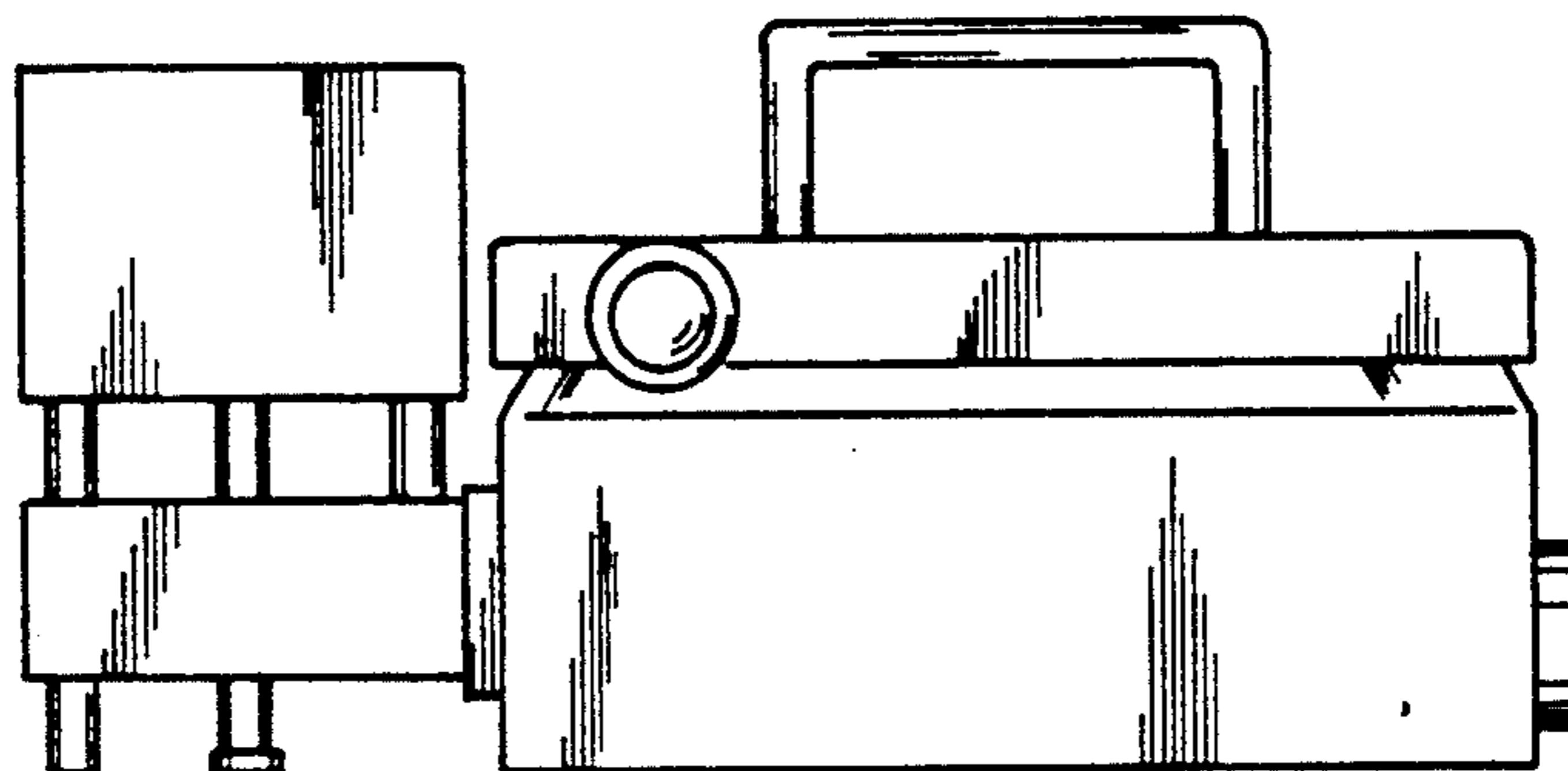


FIG. 5

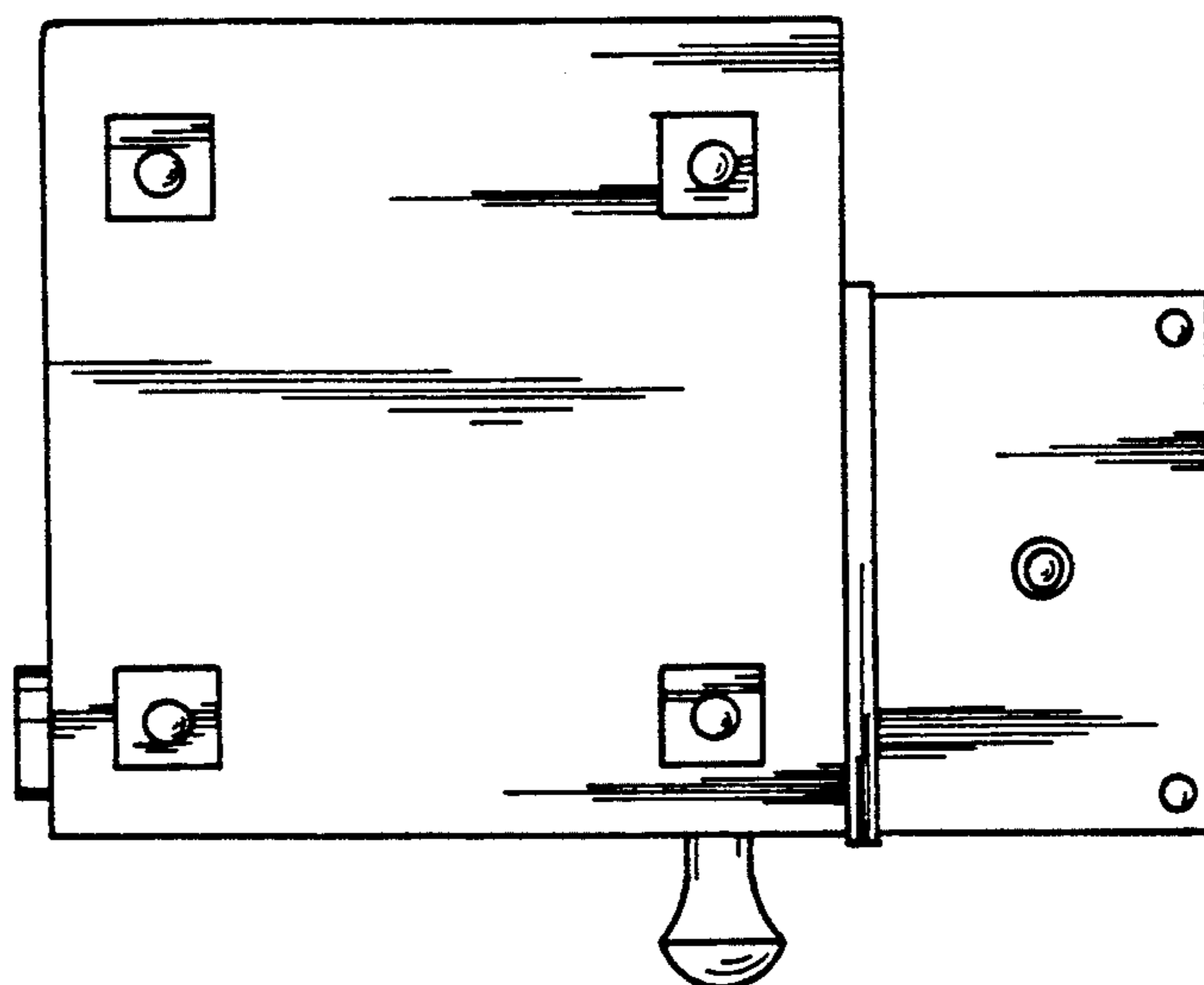


FIG. 6

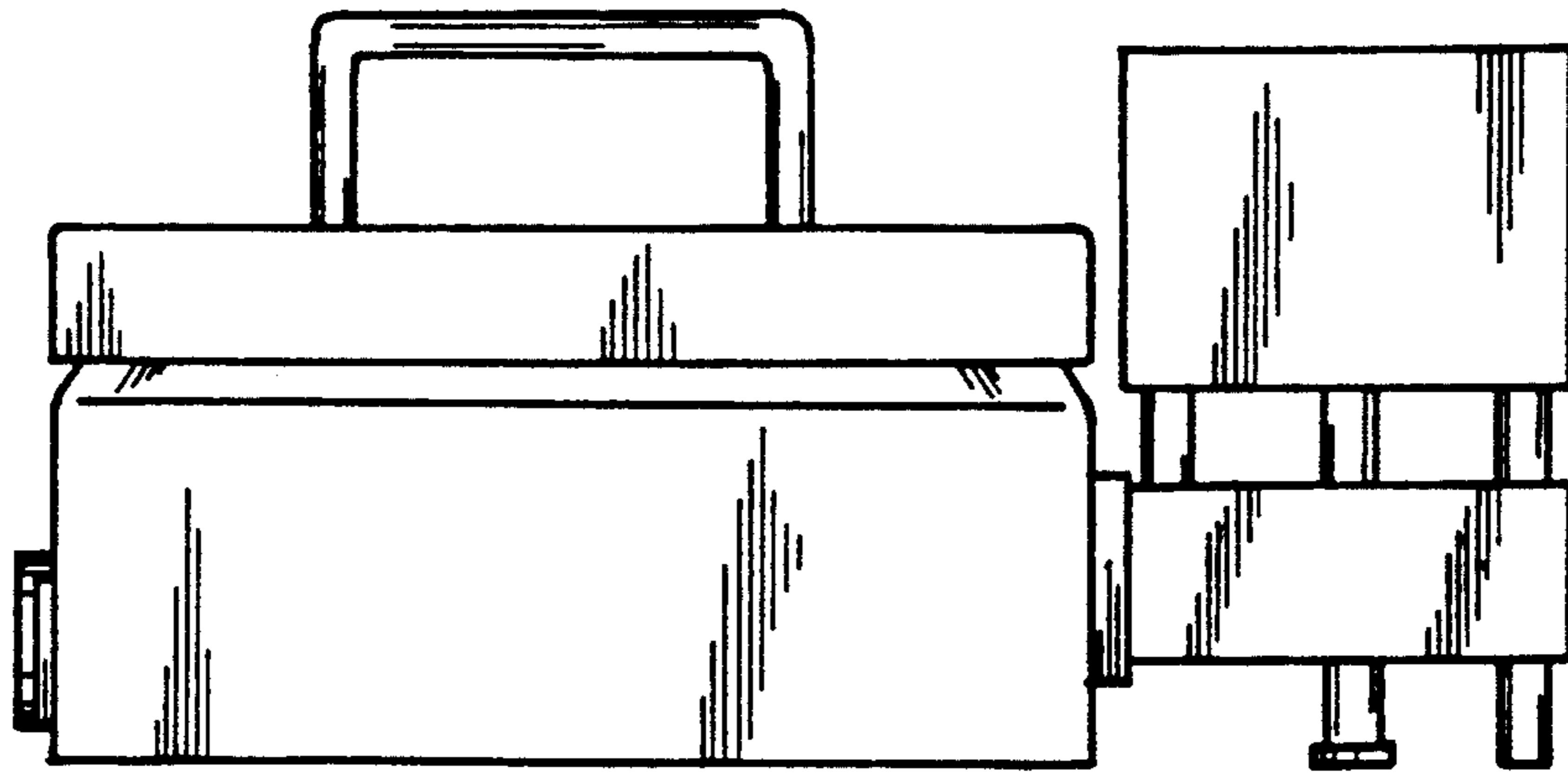


FIG. 7

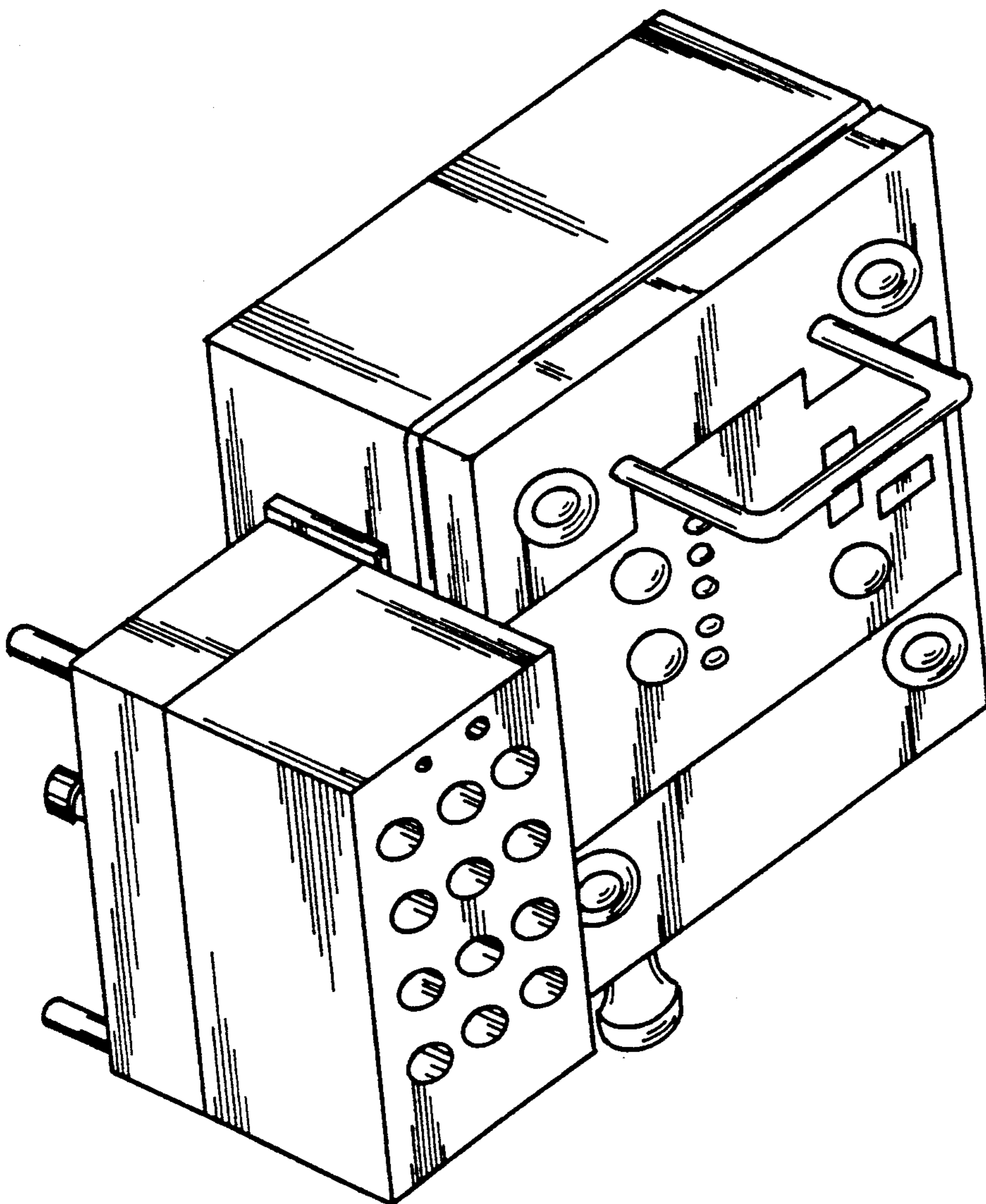


FIG. 8