



US00D342778S

**United States Patent** [19]  
**Chen**

[11] **Patent Number: Des. 342,778**

[45] **Date of Patent: \*\* Dec. 28, 1993**

[54] **TOILET**

[75] **Inventor: Shyh-Shin Chen, Taipei, Taiwan**

[73] **Assignee: Hocheng Pottery Mfg. Co., Ltd., Taipei, Taiwan**

[\*\*] **Term: 14 Years**

[21] **Appl. No.: 846,415**

[22] **Filed: Mar. 6, 1992**

[52] **U.S. Cl. .... D23/301**

[58] **Field of Search .... D23/295-301, D23/309-313; 4/329-332, 420**

D. 264,620	5/1982	Kaiser .....	D23/301
D. 268,780	4/1983	Doman et al. ....	D23/301
D. 311,435	10/1990	Cheng .....	D23/301
3,860,973	1/1975	Uyeda et al. ....	4/332
3,932,901	1/1976	Inui et al. ....	4/332
4,041,554	8/1977	Gregory et al. ....	4/420

*Primary Examiner*—James R. Largen  
*Attorney, Agent, or Firm*—Morgan & Finnegan

[57] **CLAIM**

The ornamental design for toilet, as shown and described.

**DESCRIPTION**

FIG. 1 is a perspective view of toilet showing my new design;

FIG. 2 is a front elevational view thereof;

FIG. 3 is a rear elevational view thereof;

FIG. 4 is a left side elevational view thereof;

FIG. 5 is a right side elevational view thereof;

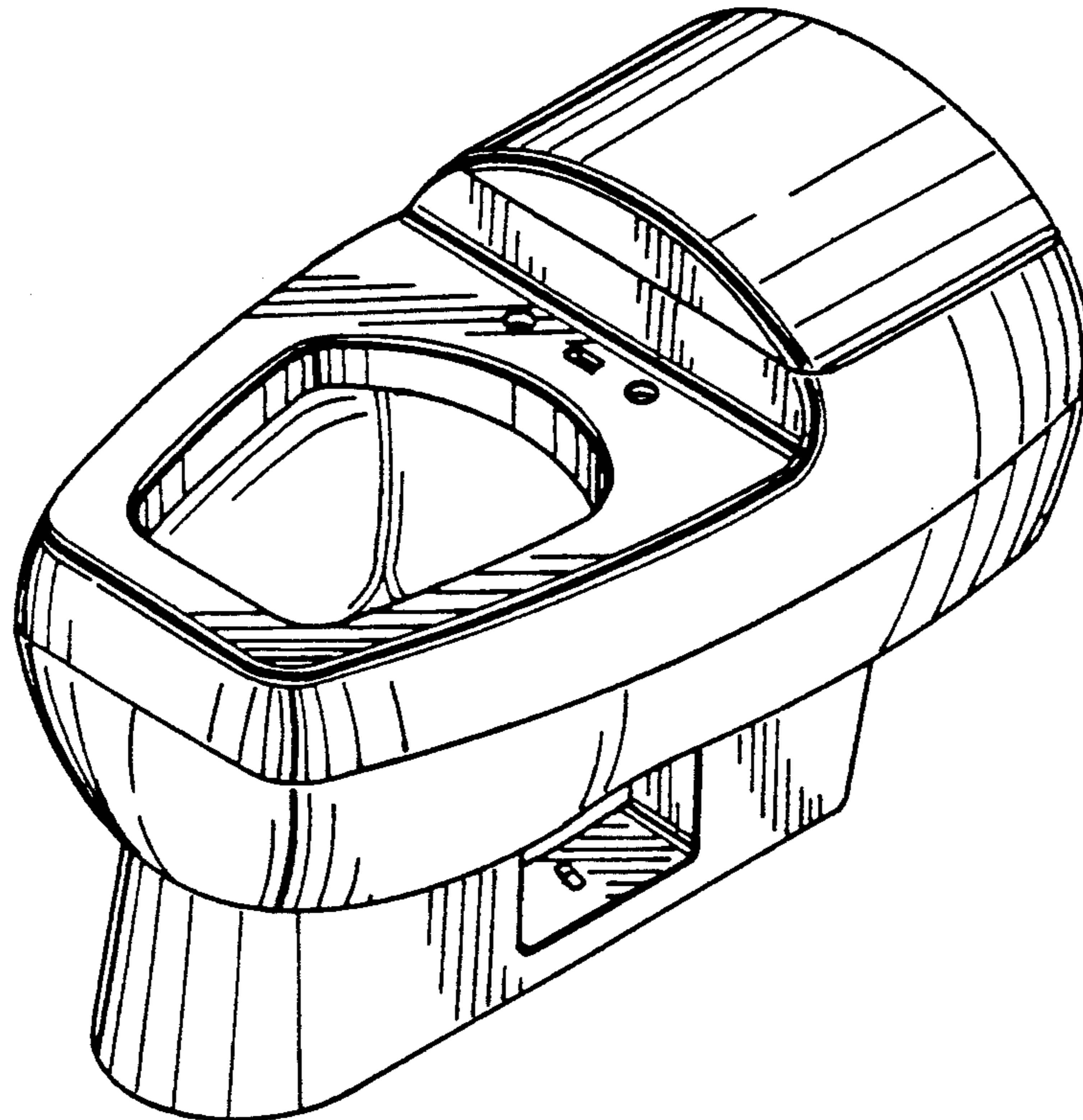
FIG. 6 is a top plan view thereof; and,

FIG. 7 is a bottom plan view thereof.

[56] **References Cited**

**U.S. PATENT DOCUMENTS**

D. 95,733	5/1935	Duncan, Jr. ....	D23/301
D. 199,235	9/1964	Tiller .....	D23/301
D. 224,108	7/1972	Doman .....	D23/301
D. 247,913	5/1978	Whitney .....	D23/301
D. 261,799	11/1981	Alger .....	D23/301



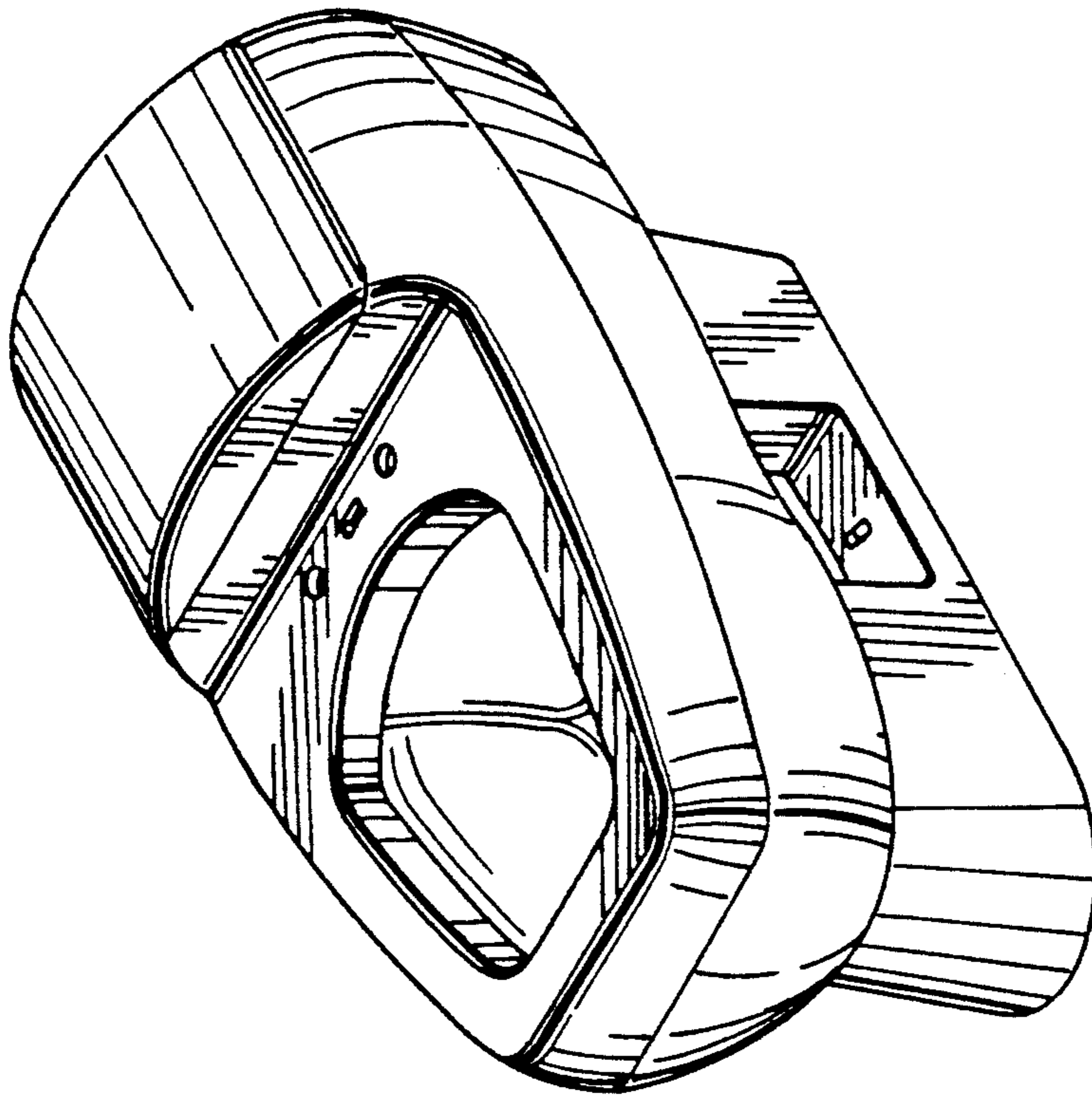


FIG. 1

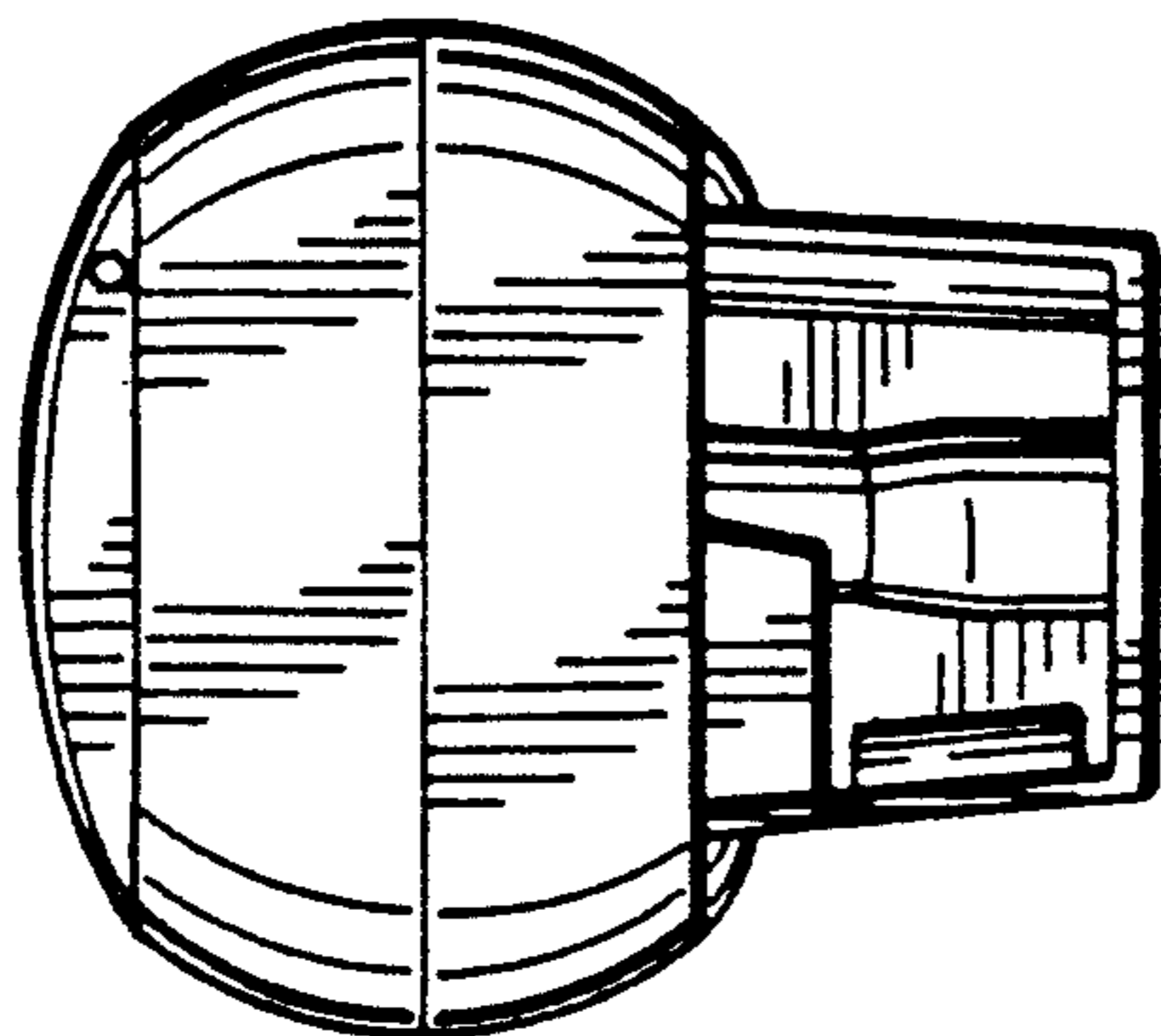


FIG. 3

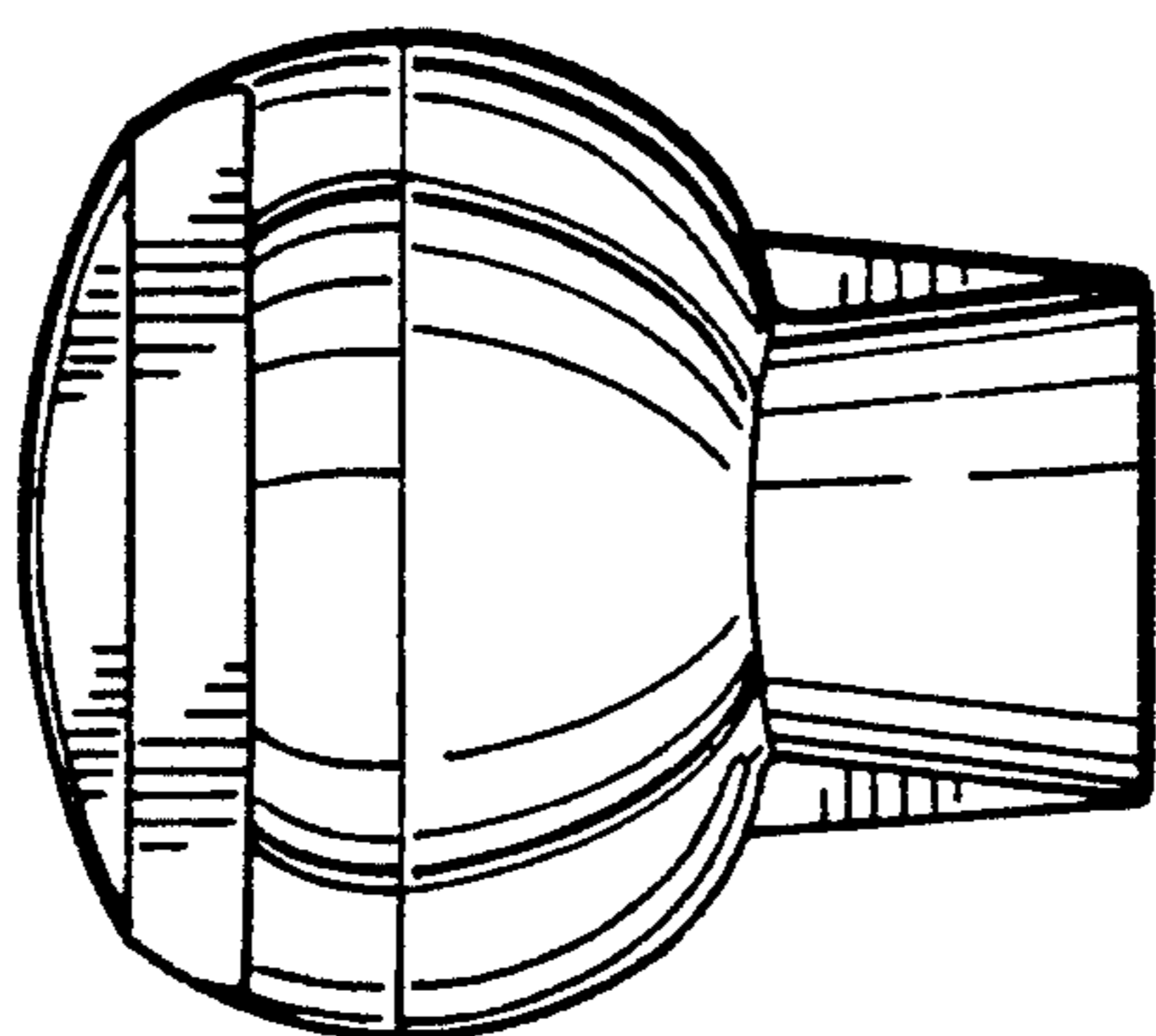


FIG. 2

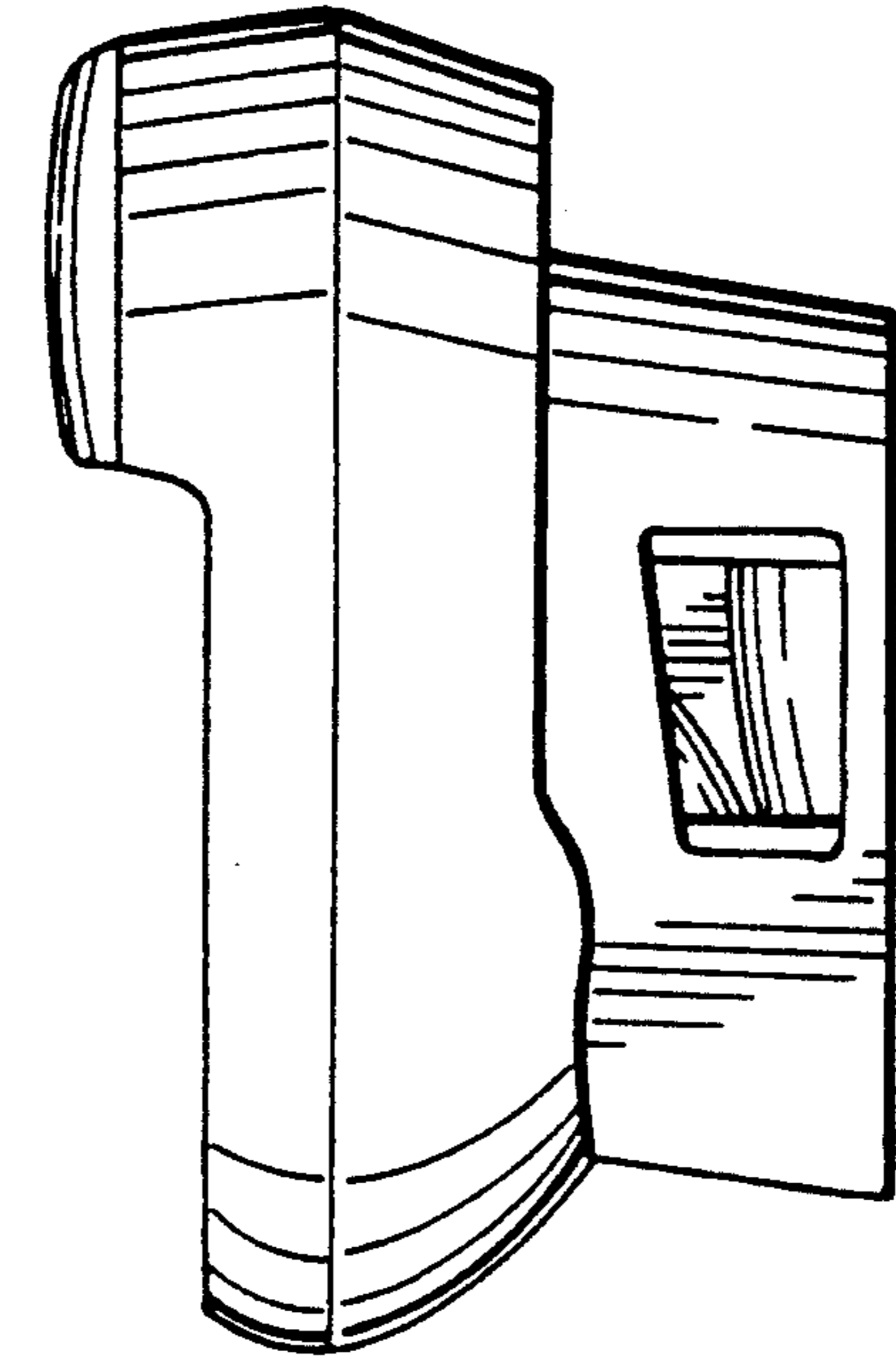


FIG. 5

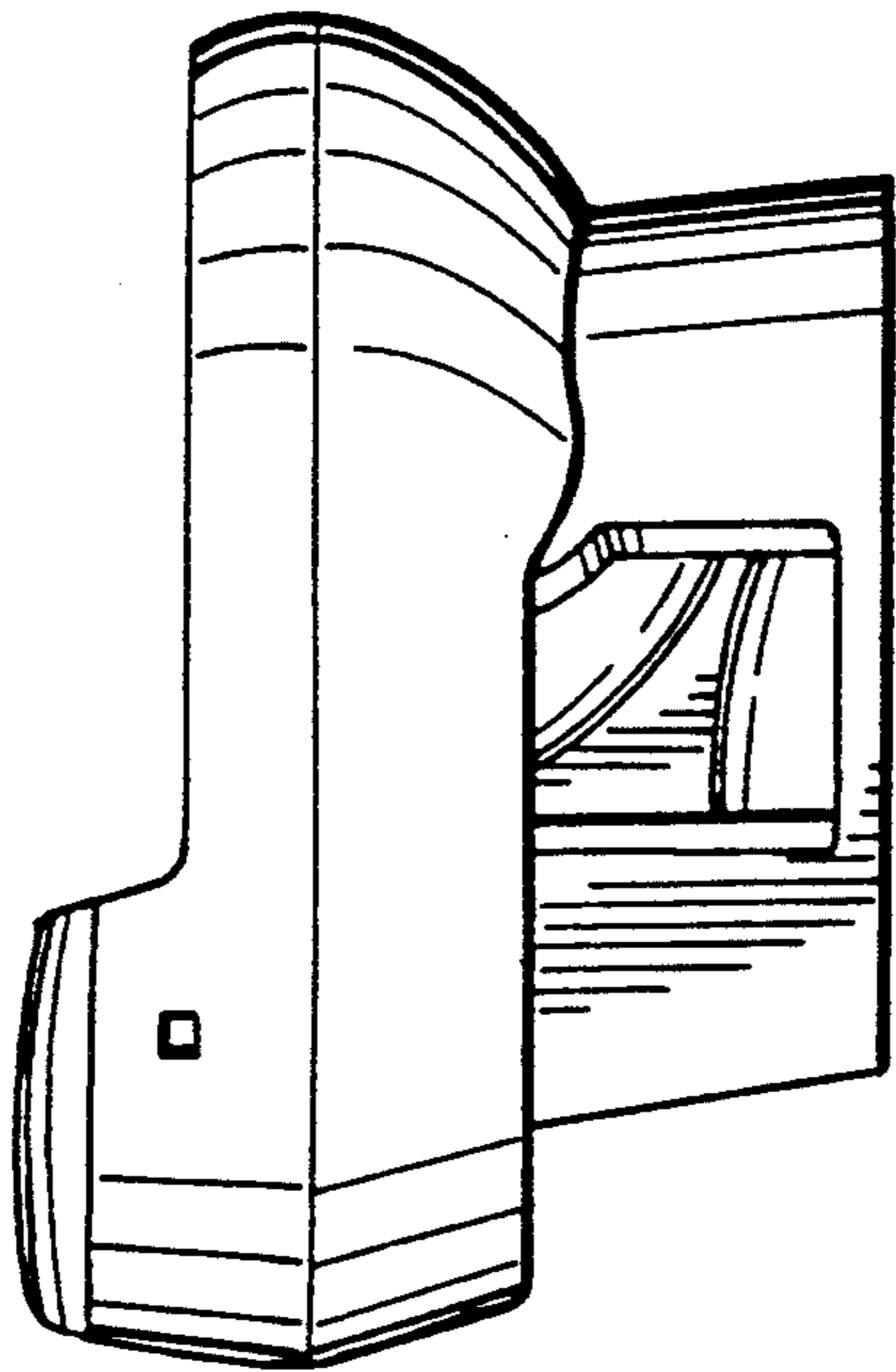


FIG. 4

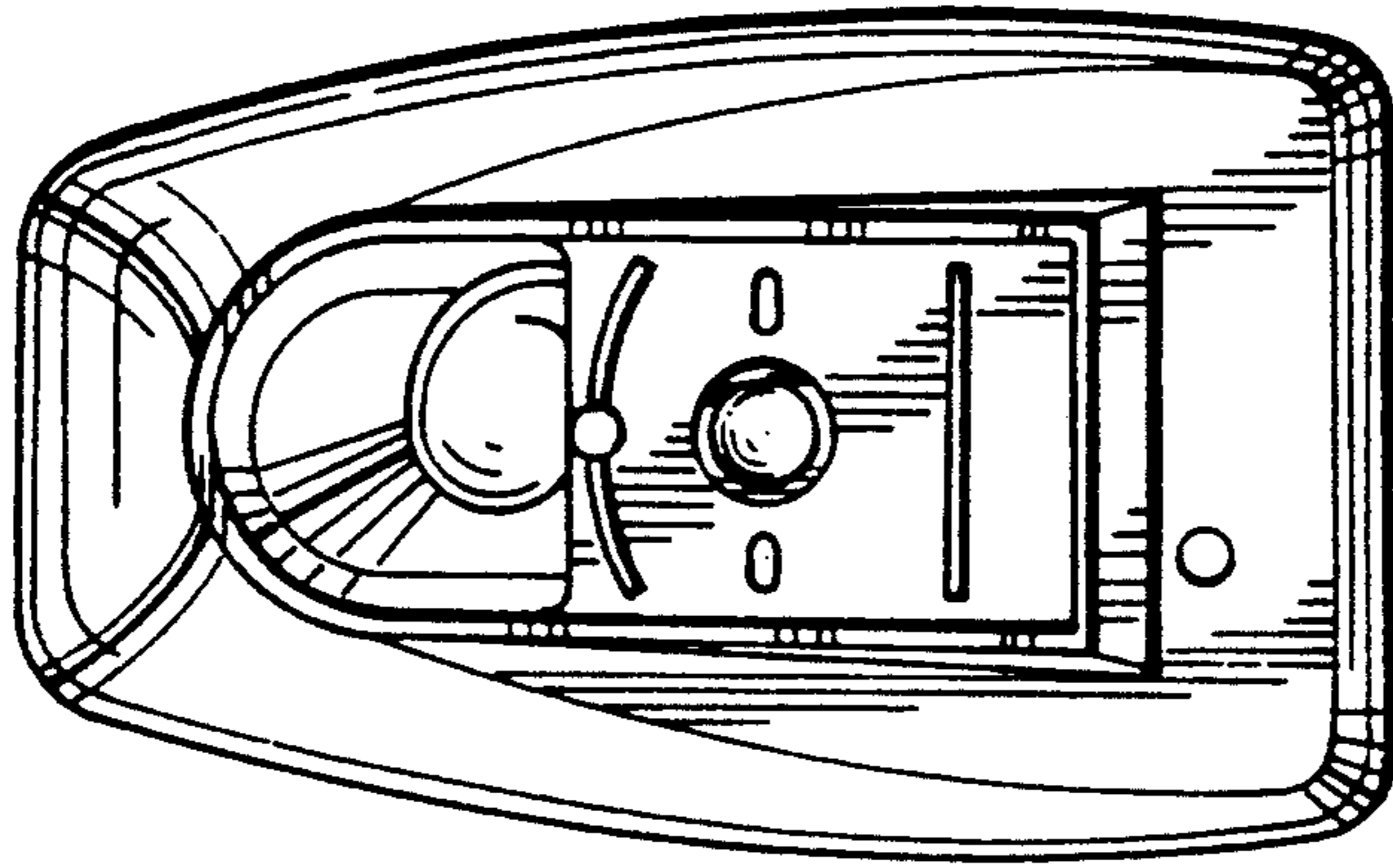


FIG. 7

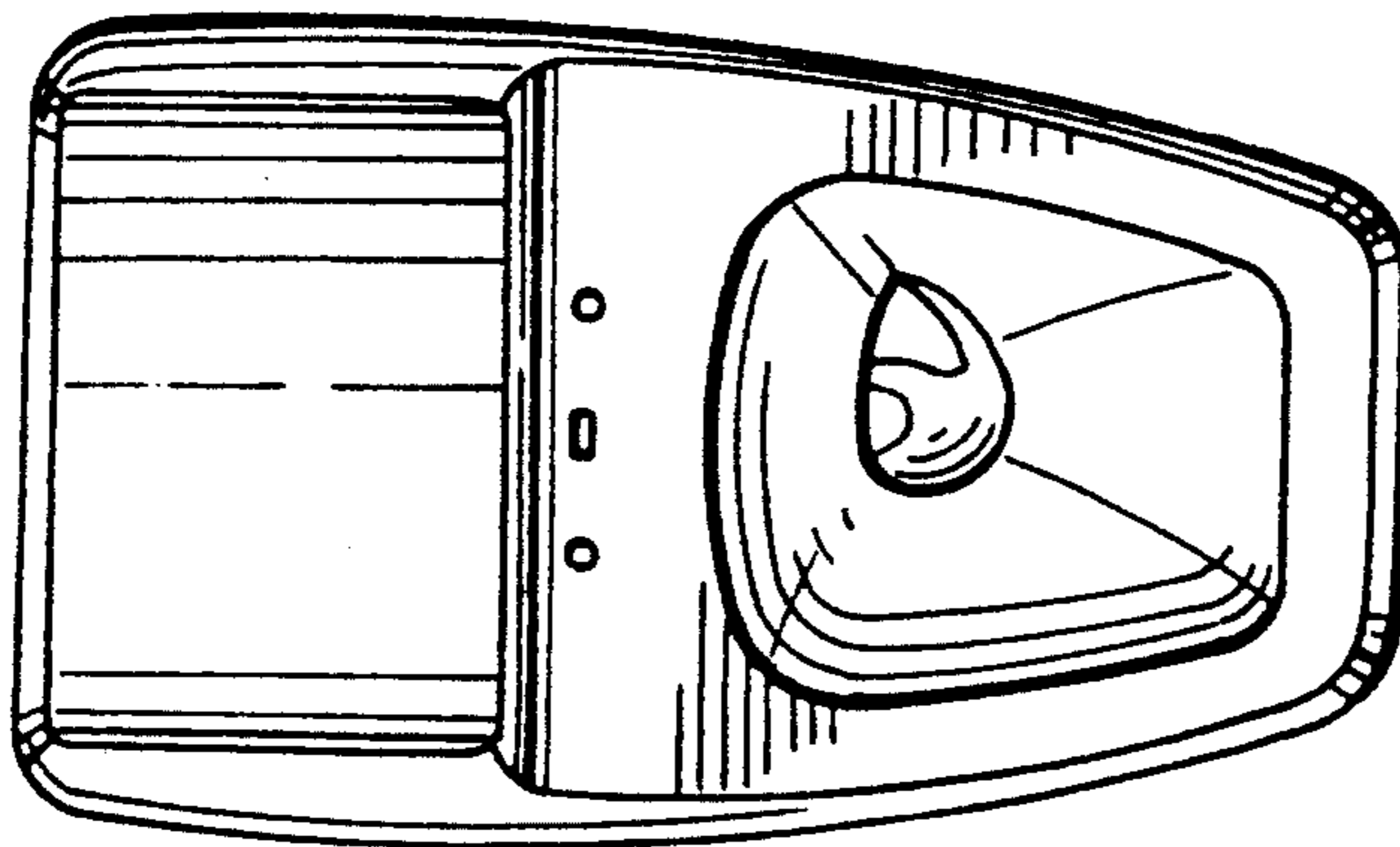


FIG. 6