



US00D342776S

# United States Patent [19]

Bally et al.

[11] Patent Number: **Des. 342,776**

[45] Date of Patent: **\*\* Dec. 28, 1993**

[54] **APPARATUS FOR DILUTING CHEMICAL CONCENTRATES USED FOR CLEANING PURPOSES**

D. 321,107	10/1991	Caus .....	D7/308
4,042,151	8/1977	Wteeh .....	222/129.2
5,033,649	7/1991	Copeland et al. ....	222/129.2 X
5,058,773	10/1991	Brill et al. ....	222/133 X

[76] Inventors: **Alexander Bally**, 420 N. Craig St., Pittsburgh, Pa. 15213-1105; **Allen E. Brandenburg**, 3416B Pecos St., Austin, Tex. 78703; **James M. Rubenstein**, 4403 Shavano Way, San Antonio, Tex. 78249; **Doris M. Wong**, 304 Pinewood Sq., Pittsburgh, Pa. 15235

*Primary Examiner*—Wallace R. Burke  
*Assistant Examiner*—M. H. Tung  
*Attorney, Agent, or Firm*—Mark G. Bocchetti; John W. Kane, Jr.

[\*\*] Term: **14 Years**

### [57] CLAIM

The ornamental design for the apparatus for diluting chemical concentrates used for cleaning purposes, as shown and described.

[21] Appl. No.: **745,119**

### DESCRIPTION

[22] Filed: **Aug. 8, 1991**

[52] U.S. Cl. .... **D23/207; D6/308**

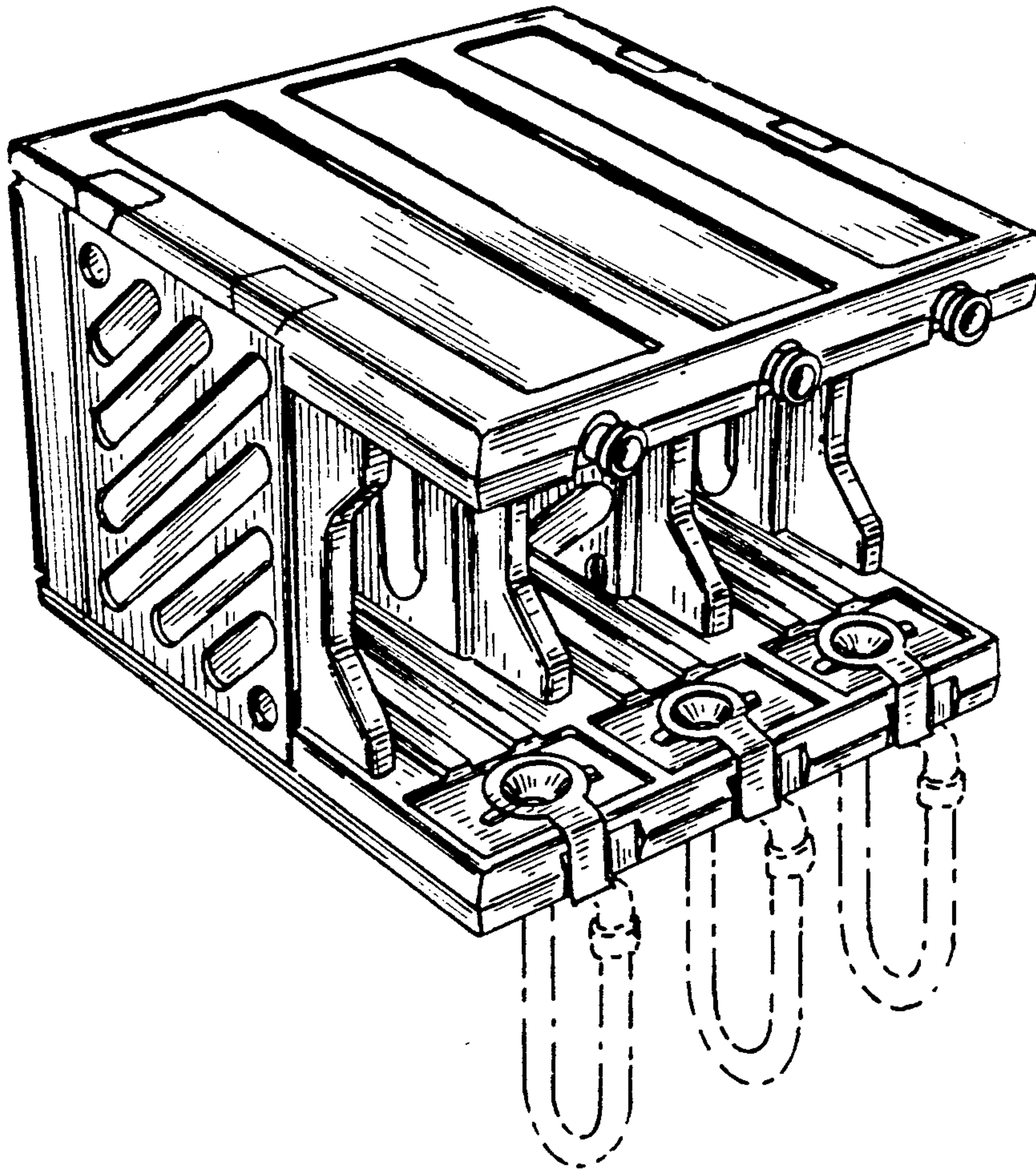
[58] Field of Search ..... 222/74-75,  
222/80-81, 129.2, 133, 153, 630; 417/151, 198;  
239/340; D23/200; D6/306-309, 311

FIG. 1 is a perspective view of the apparatus for diluting chemical concentrates used for cleaning purposes showing our new design; FIG. 2 is a top plan view thereof; FIG. 3 is a front elevational view thereof; FIG. 4 is a left side elevational view thereof, the opposite side being a mirror image; FIG. 5 is a rear elevational view thereof; and, FIG. 6 is a bottom plan view thereof. The broken line drawings of conduits are for illustrative purposes only and forms no part of the claimed design.

### [56] References Cited

#### U.S. PATENT DOCUMENTS

D. 296,449 6/1988 Löbrand ..... D7/308 X



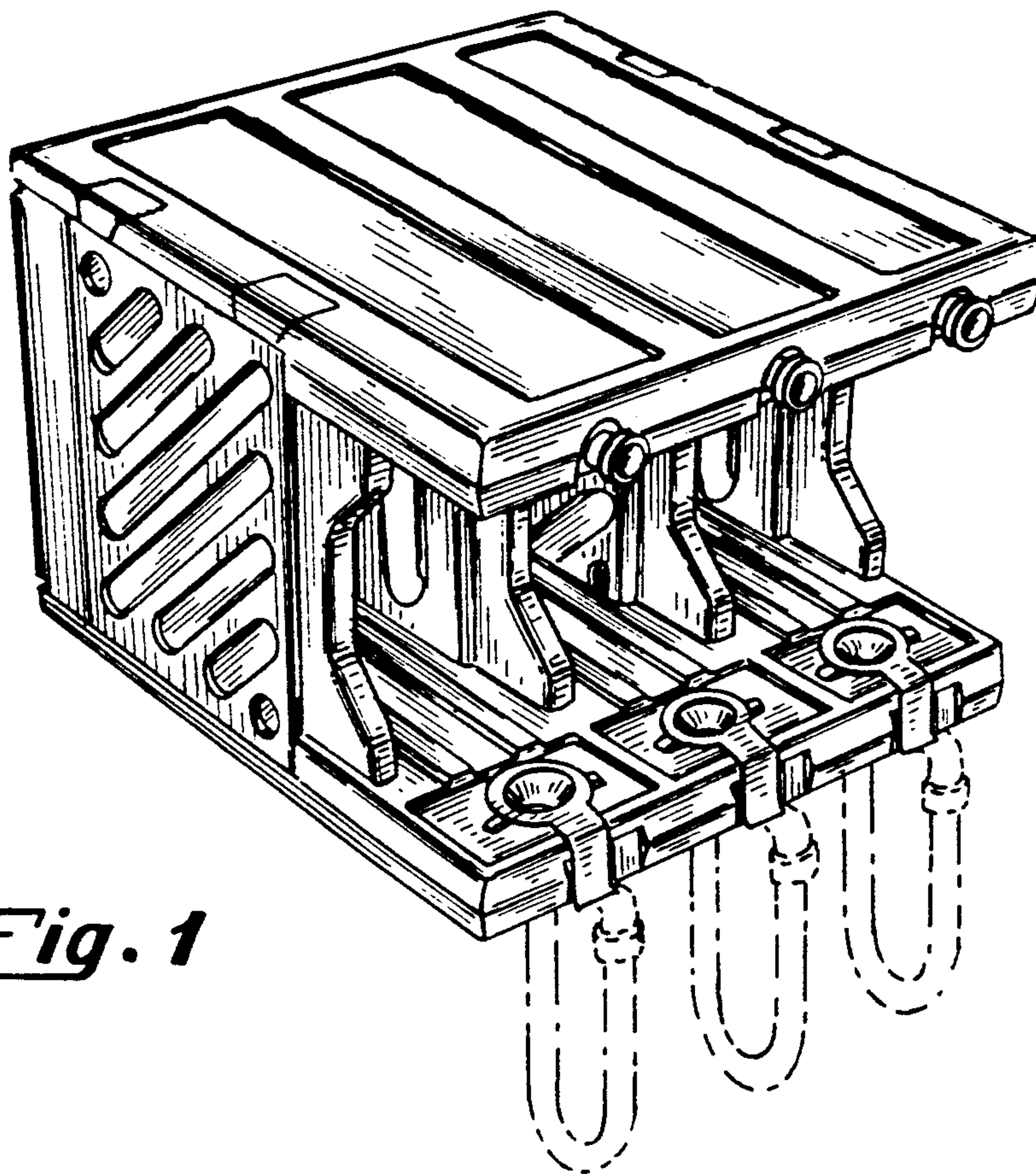


Fig. 1

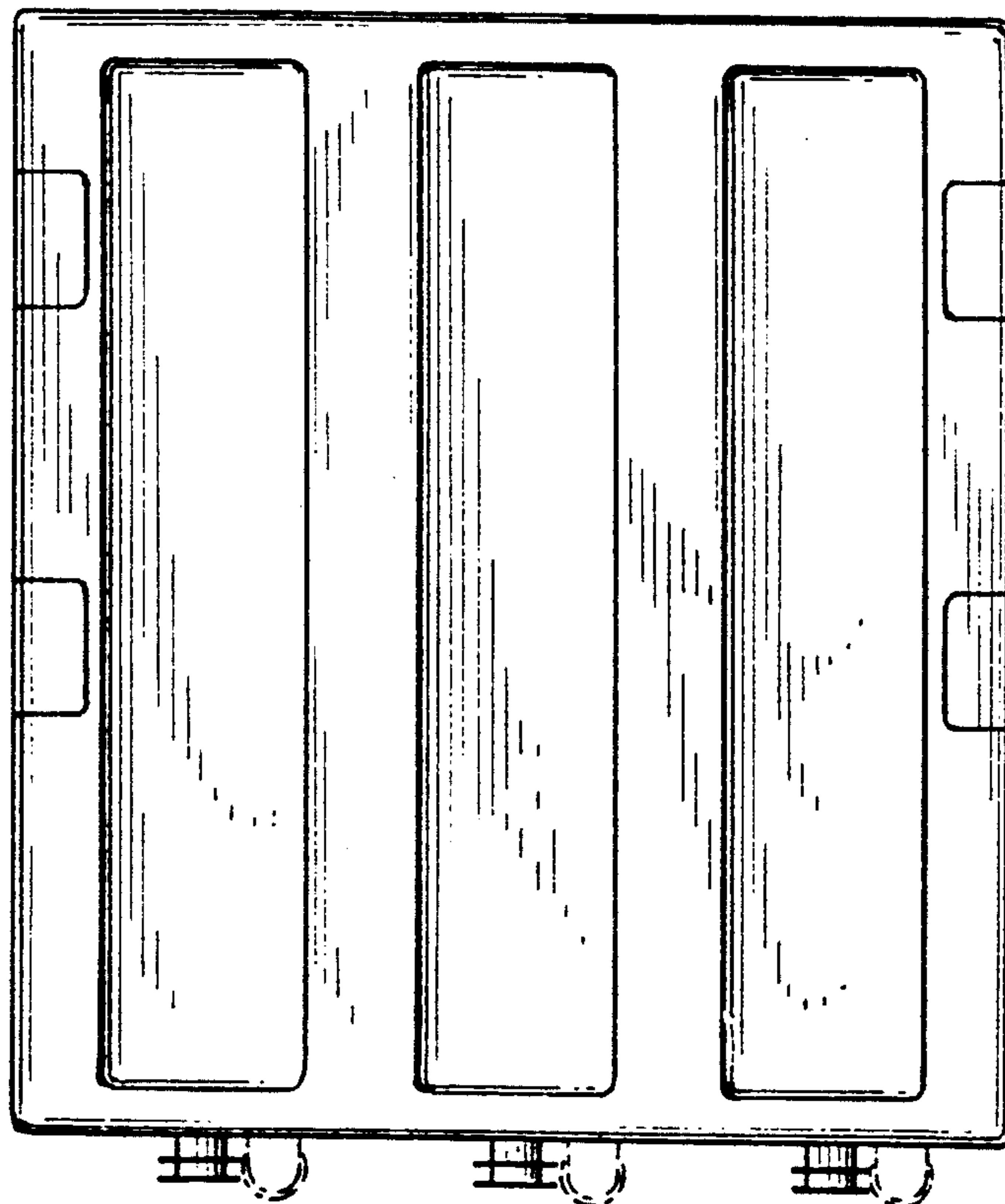
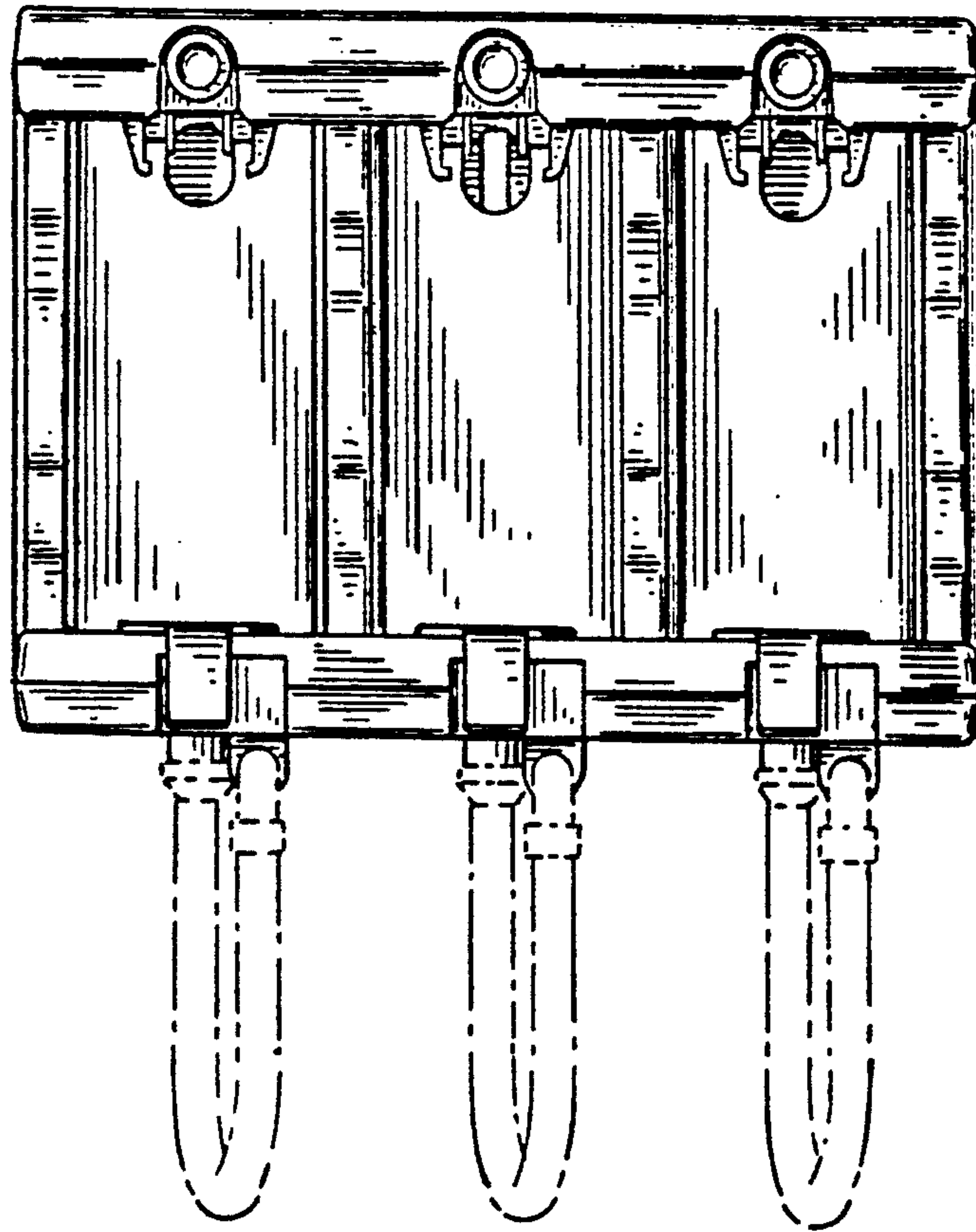
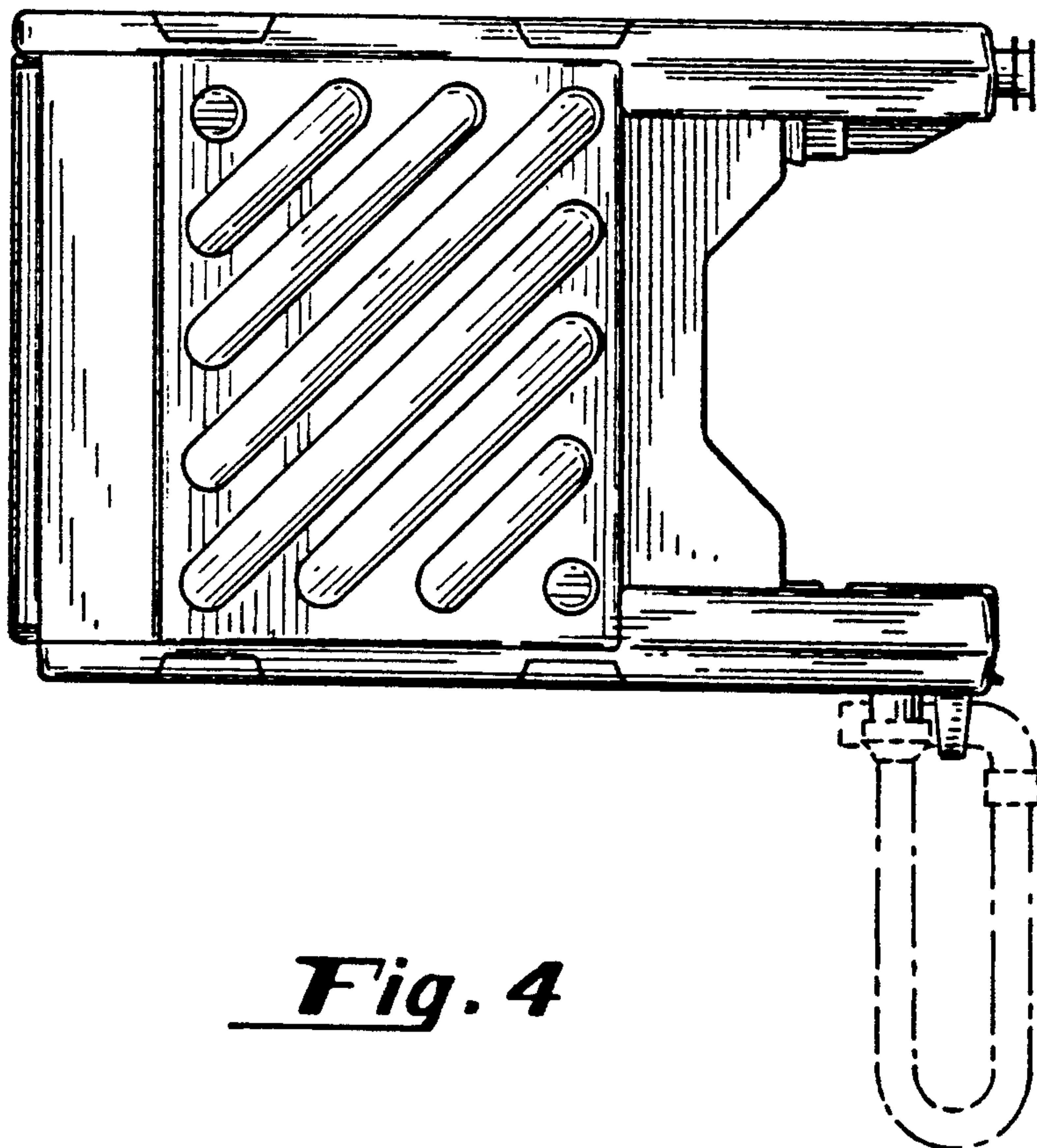


Fig. 2





***Fig. 3***



***Fig. 4***

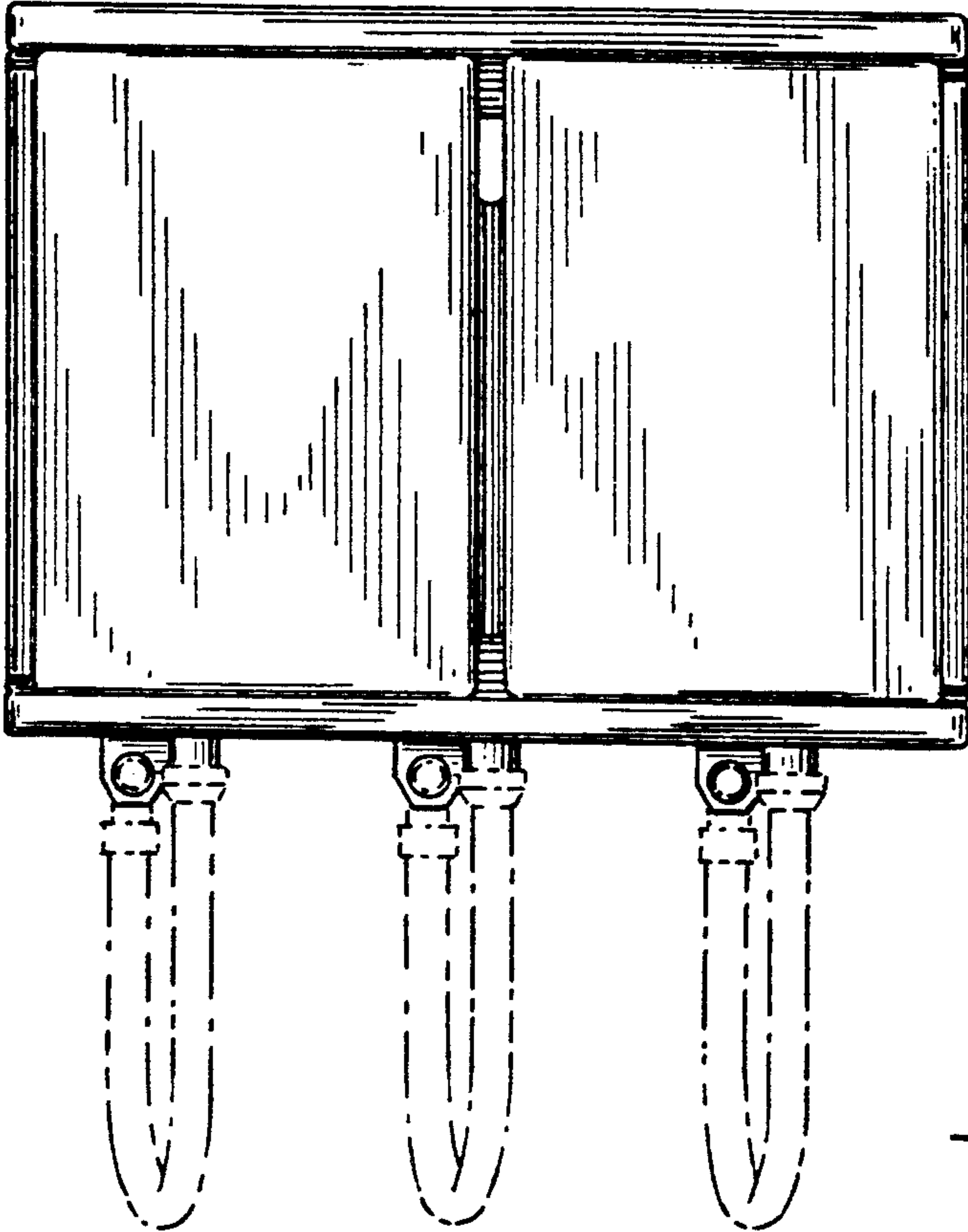


Fig. 5

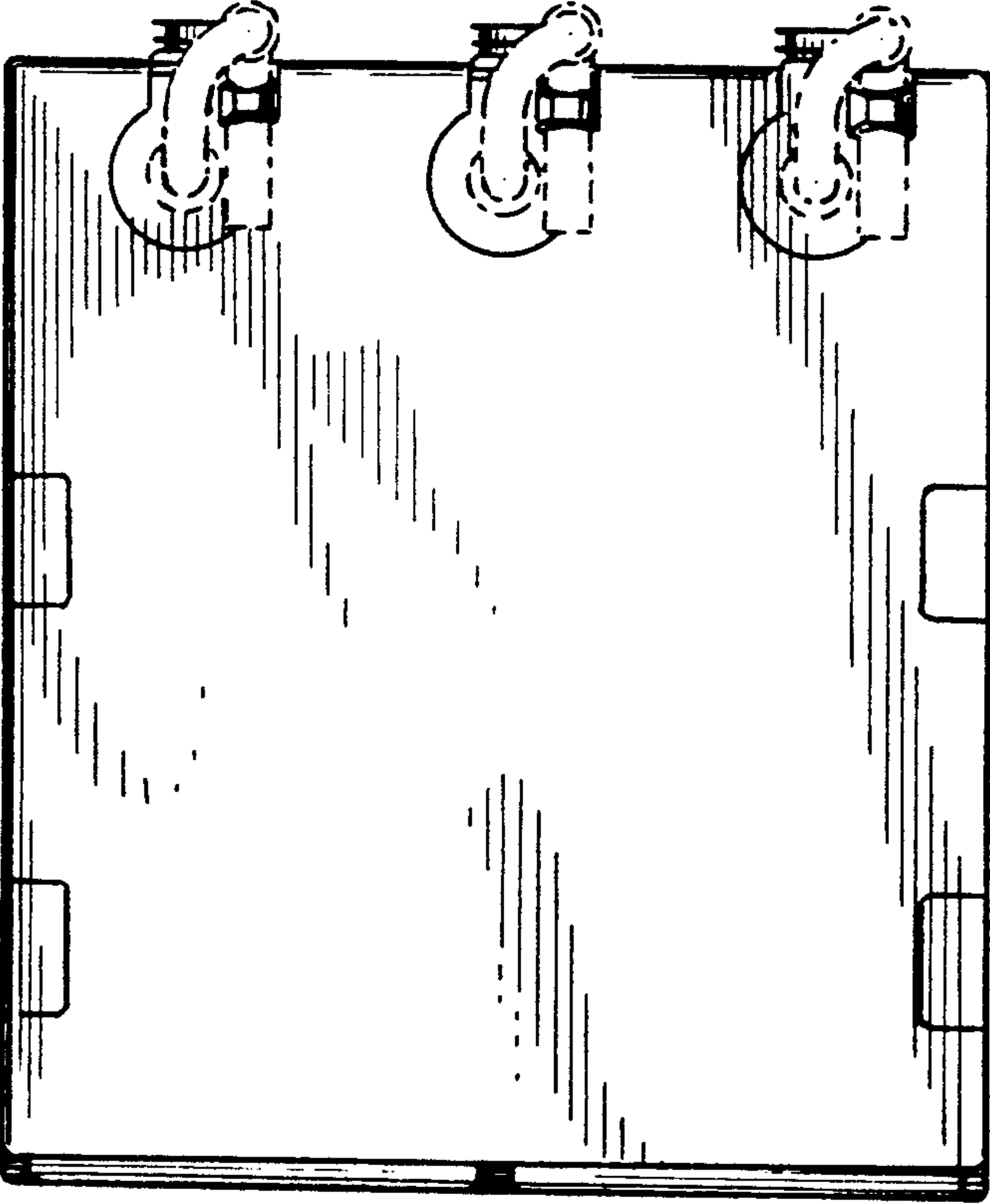


Fig. 6