



US00D342774S

United States Patent [19] McCumbers

[11] Patent Number: **Des. 342,774**
[45] Date of Patent: **** Dec. 28, 1993**

[54] **GROUND INSERTED ARROW HOLDER**

[76] Inventor: **Kenneth S. McCumbers**, Rte. #1 Box
109, Camden-on-Gauley, W. Va.
26208

[**] Term: **14 Years**

[21] Appl. No.: **772,019**

[22] Filed: **Oct. 7, 1991**

[52] U.S. Cl. **D22/115; D6/417;**
D8/1

[58] Field of Search **D22/115, 147, 106, 107;**
D8/1; **D6/417; 248/530, 309.1; 124/41.1, 23 R;**
43/212; **224/916**

[56] **References Cited**

U.S. PATENT DOCUMENTS

D. 185,807	8/1959	Antle	D22/107
D. 227,276	6/1973	Benzel	D6/417
D. 267,679	1/1983	Barney	D6/417
D. 286,591	11/1986	Russell	D6/417
D. 314,287	2/1991	Albright, Sr.	D6/417
2,021,303	11/1935	Grennan	D8/1
2,536,341	1/1951	Asher	D8/1
3,061,976	11/1962	Carroll et al.	D8/1
3,221,957	12/1965	Roloff et al.	224/916

3,337,099 8/1967 Rose 224/916
5,074,506 12/1991 Larsen 248/309.1

FOREIGN PATENT DOCUMENTS

150071 8/1980 United Kingdom 248/530
2140292 11/1984 United Kingdom 248/530

OTHER PUBLICATIONS

Wing Archery Equipment Catalog; pg. 18-item #431
Metal Ground Quiver.

Primary Examiner—A. Hugo Word
Assistant Examiner—CathyAnne MacCormac
Attorney, Agent, or Firm—S. Michael Bender

[57] **CLAIM**

The ornamental design for a ground inserted arrow holder, as shown and described.

DESCRIPTION

FIG. 1 is a front elevational view of the ground inserted arrow holder showing my new design; FIG. 2 is a rear elevational view thereof; FIG. 3 is a left side elevational view thereof; FIG. 4 is a right side elevational view thereof; FIG. 5 is a top plan view thereof; and, FIG. 6 is a bottom plan view thereof.

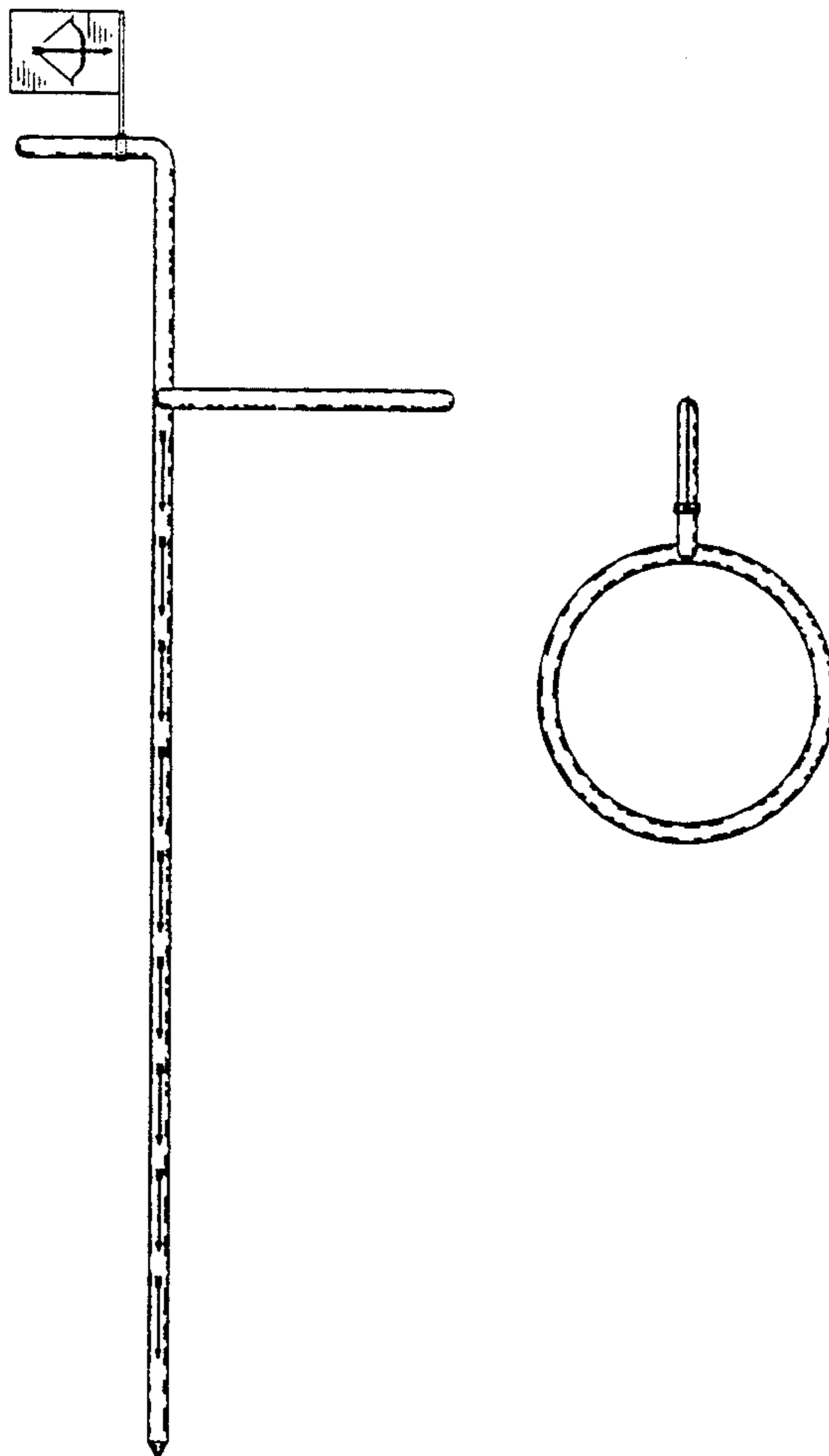


FIG. 1

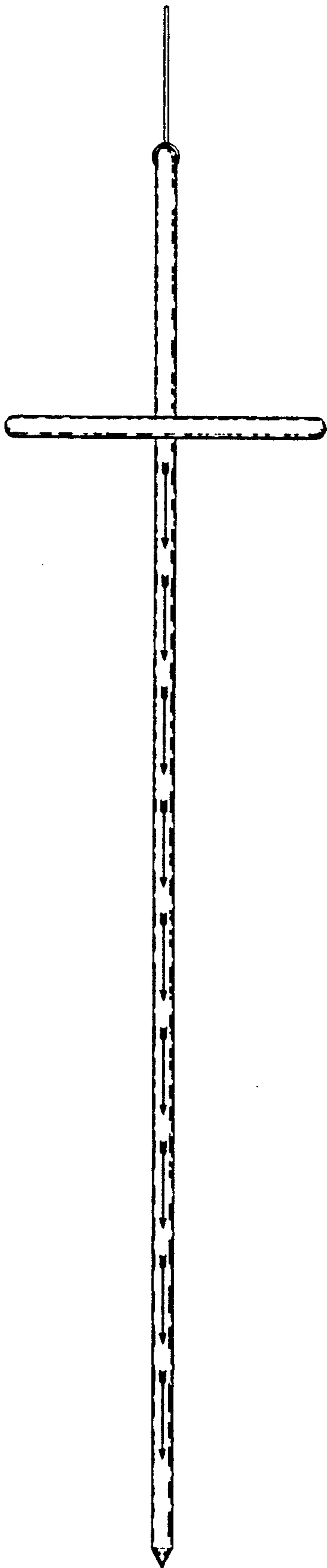


FIG. 2

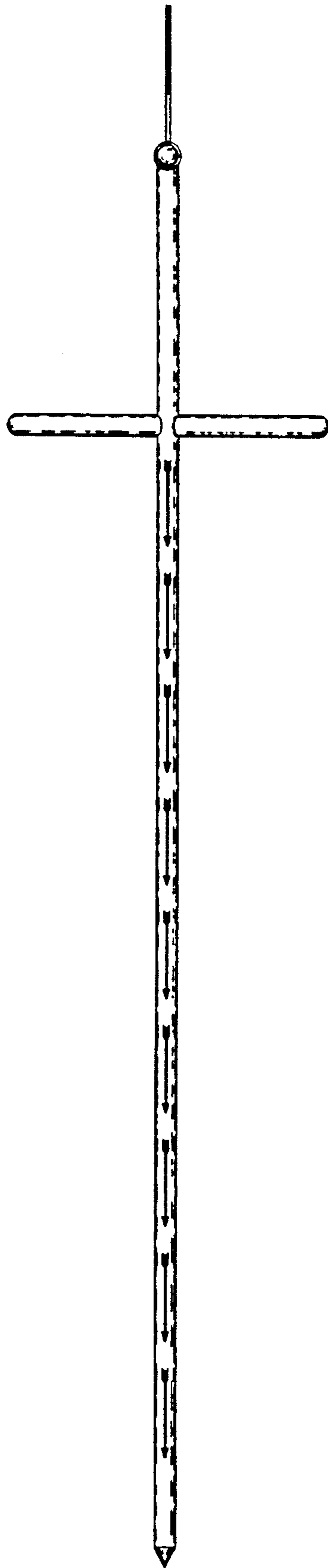


FIG. 3

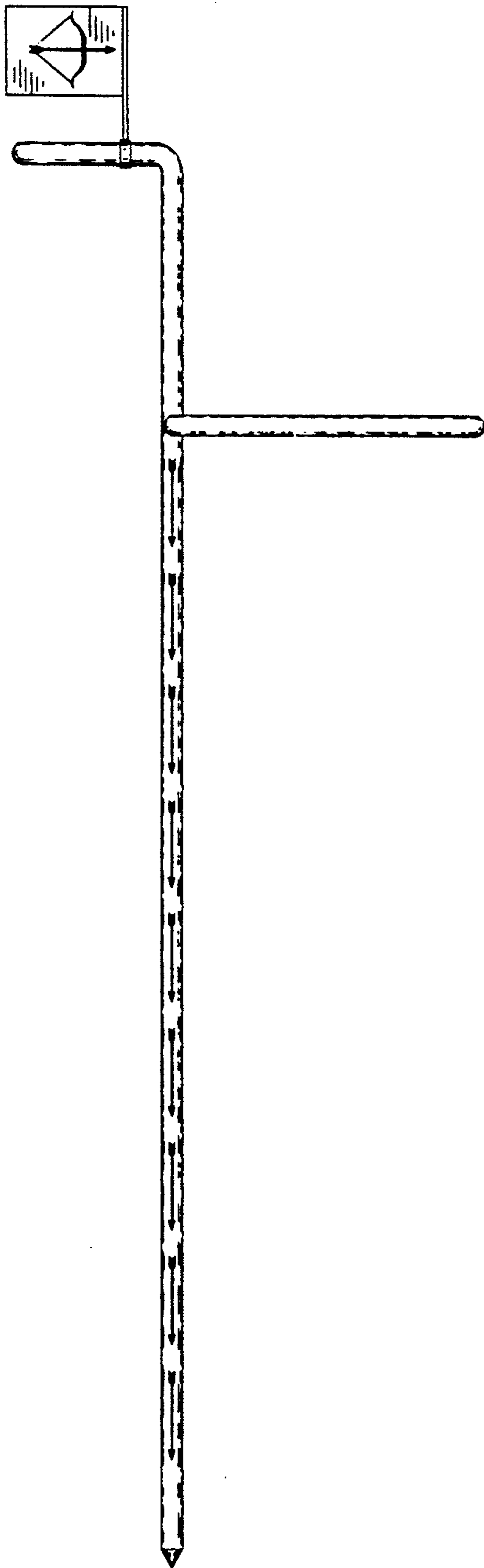


FIG. 4

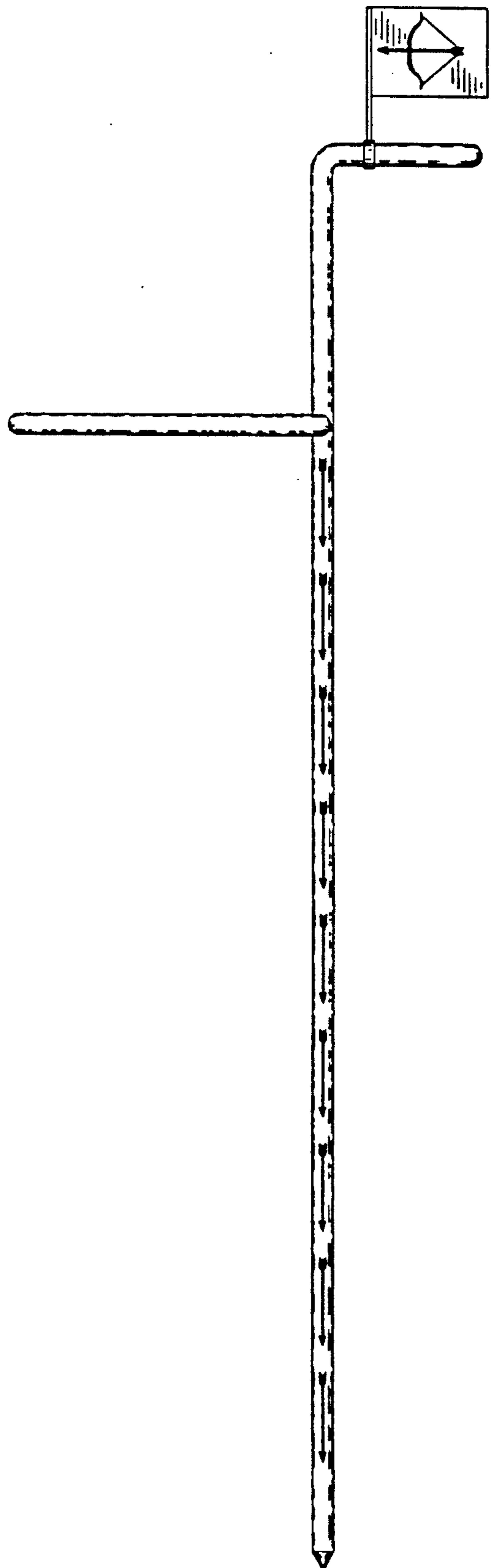


FIG. 5

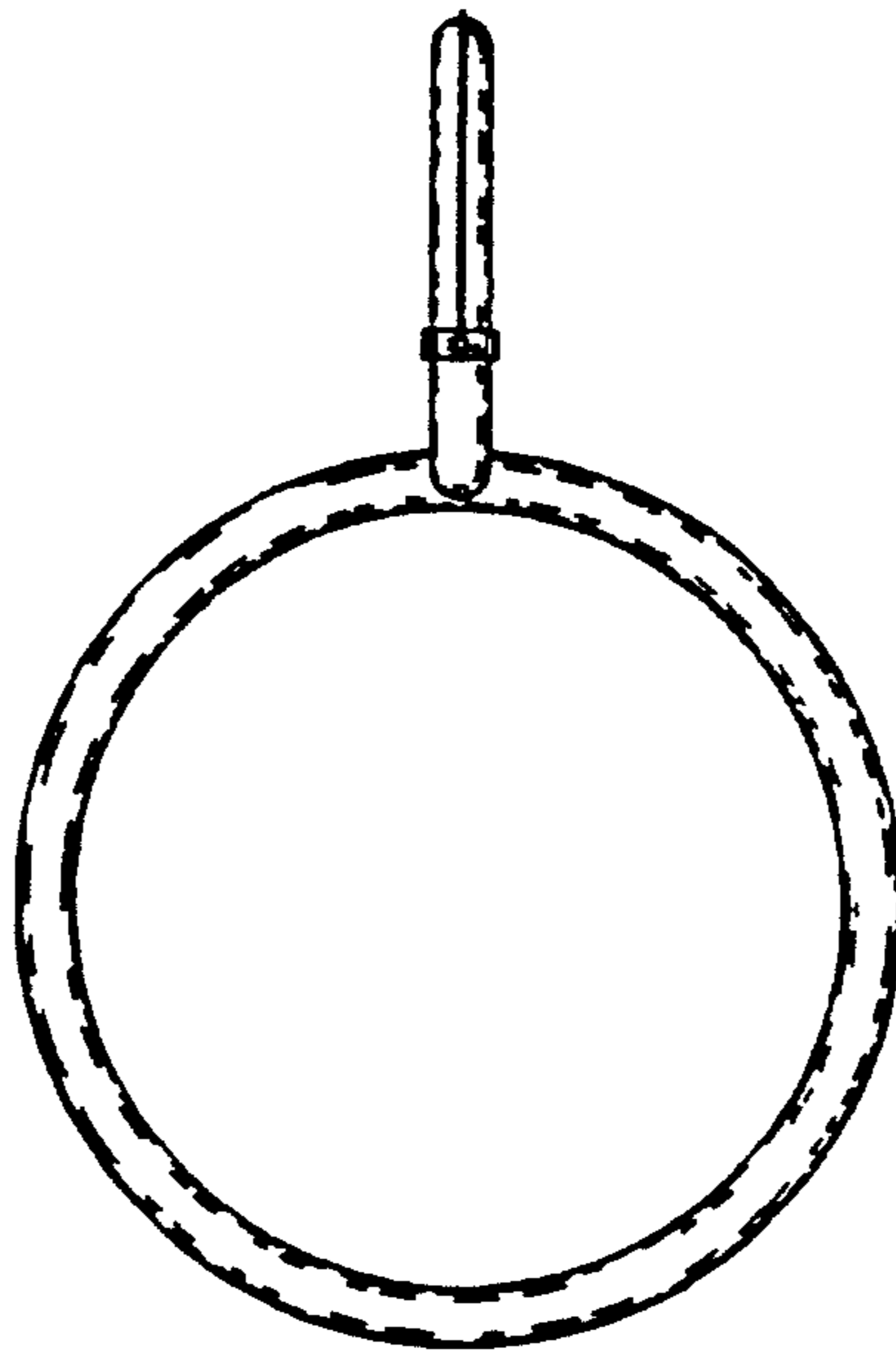


FIG. 6

