



US00D342763S

# United States Patent [19]

[11] Patent Number: **Des. 342,763**

Tse

[45] Date of Patent: **\*\* Dec. 28, 1993**

[54] **JOYSTICK**

[56]

### References Cited

#### U.S. PATENT DOCUMENTS

[75] Inventor: **Michael K. Tse, Kowloon, Hong Kong**

D. 290,719	7/1987	Honoway .....	D21/48
D. 317,021	5/1991	Shulman et al. ....	D21/48
4,439,649	3/1984	Cecchi .....	200/5 R X
4,870,389	9/1989	Ishiwata et al. ....	273/148 B X
4,926,011	5/1990	Saito .....	206/6 A
5,113,714	5/1992	Eklund et al. ....	273/148 B X

[73] Assignee: **STD Electronic International Ltd., Hong Kong**

*Primary Examiner*—Wallace R. Burke  
*Assistant Examiner*—M. H. Tung  
*Attorney, Agent, or Firm*—Burns, Doane, Swecker & Mathis

[\*\*] Term: **14 Years**

[21] Appl. No.: **857,799**

[57]

### CLAIM

[22] Filed: **Mar. 26, 1992**

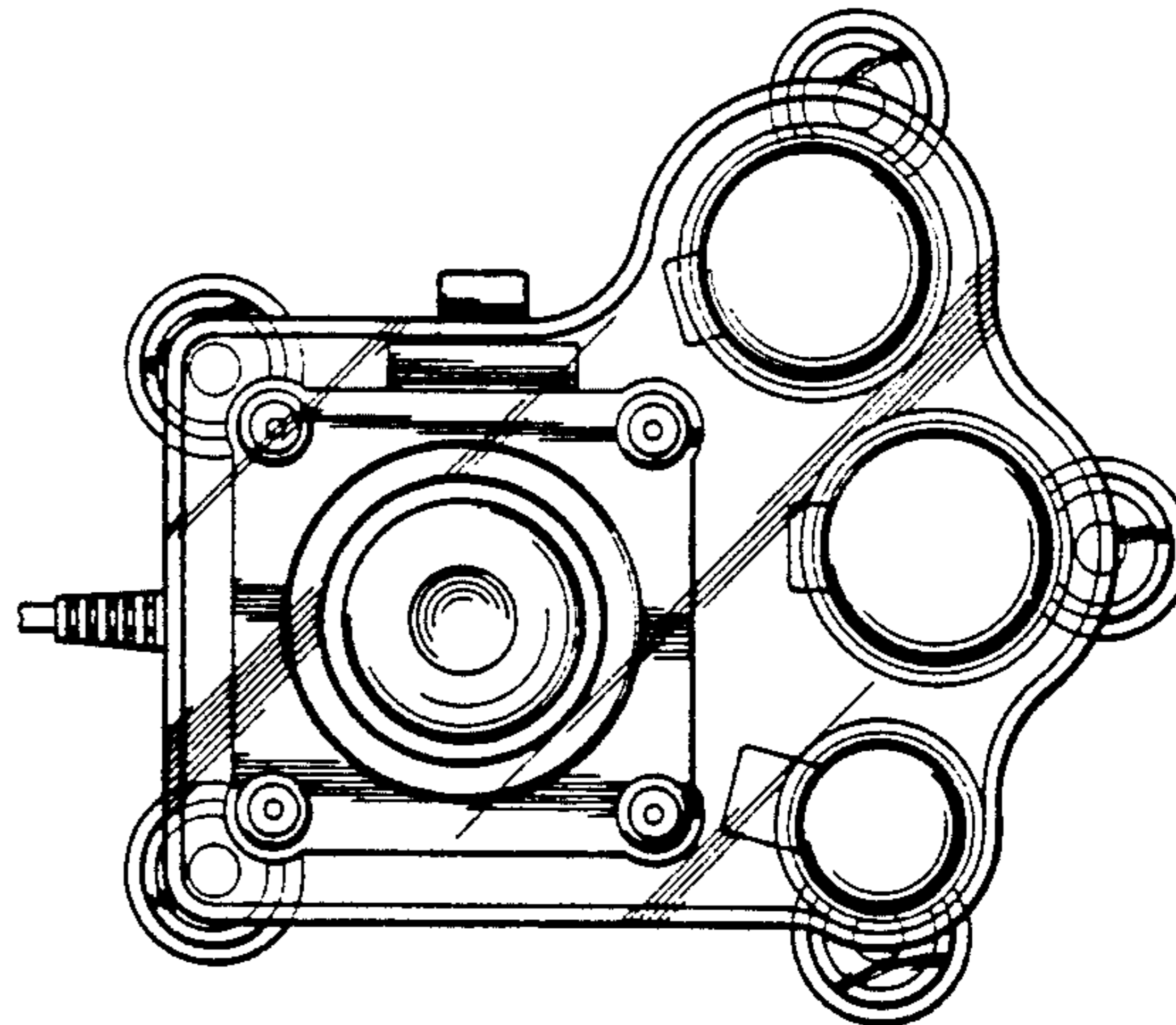
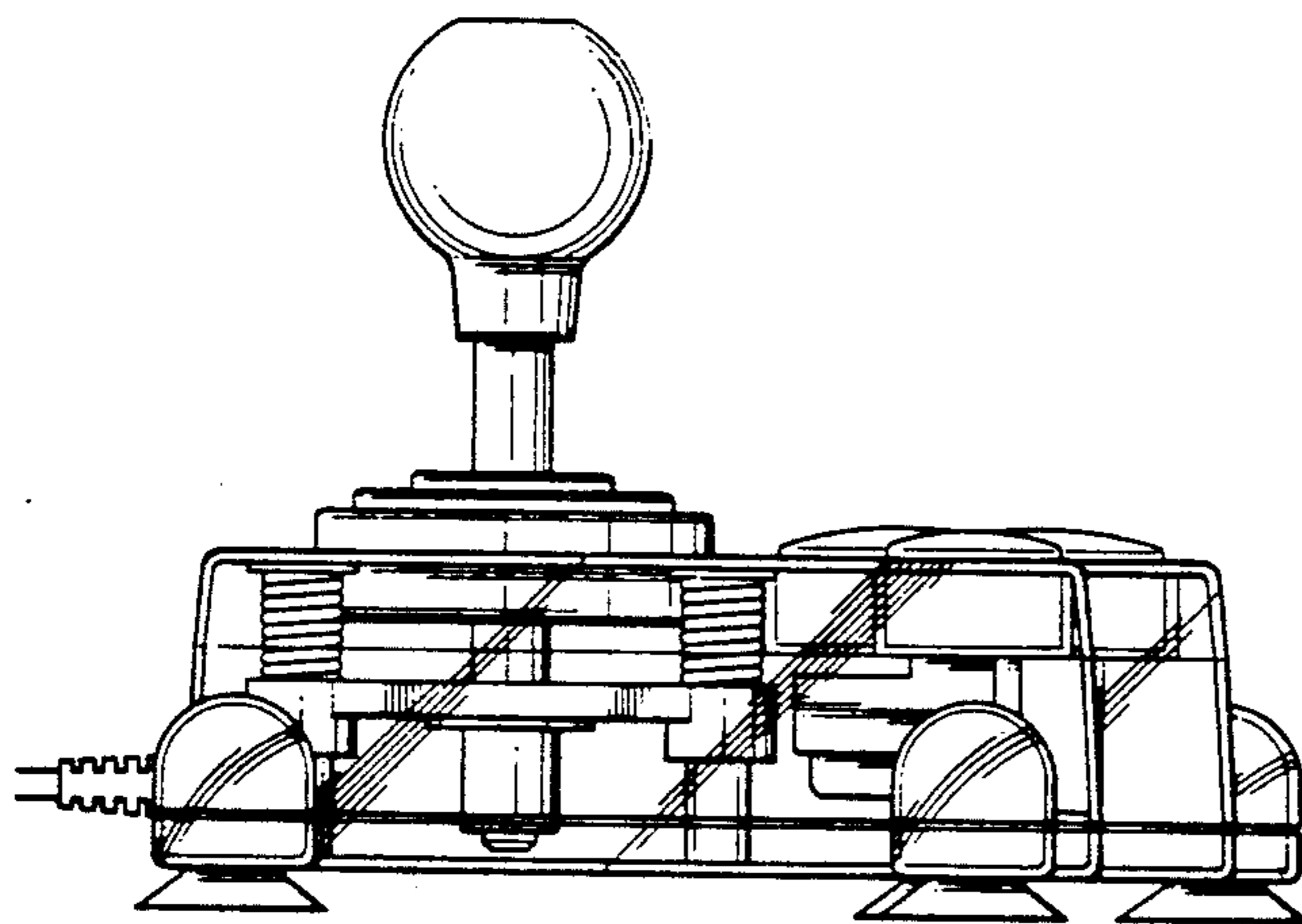
The ornamental design for a joystick, as shown and described.

[30] **Foreign Application Priority Data**

### DESCRIPTION

Oct. 15, 1991 [GB] United Kingdom ..... 2018305  
 [52] U.S. Cl. .... **D21/48; D14/114**  
 [58] Field of Search ..... **D14/100, 114; D13/158; D21/48; 178/18-19; 200/5 R, 5 A, 6 R, 6 A; 273/148 B; 340/707, 709-710; 74/471 XY**

FIG. 1 is the front elevational view showing my design; FIG. 2 is the rear elevational view thereof; FIG. 3 is the left side view thereof; FIG. 4 is the right side view thereof; FIG. 5 is the top plan view thereof; and, FIG. 6 is the bottom plan view thereof.



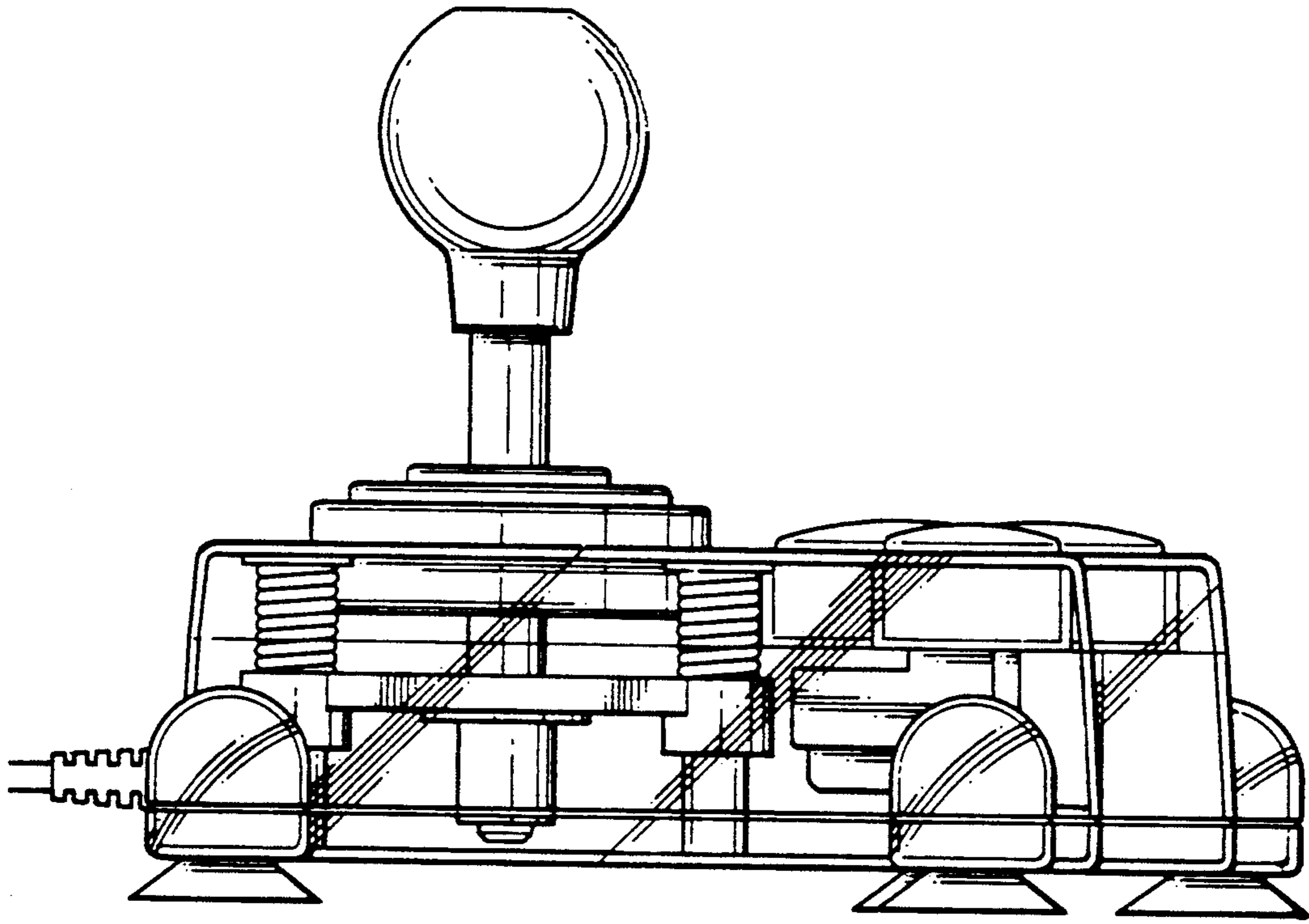


FIG. 1

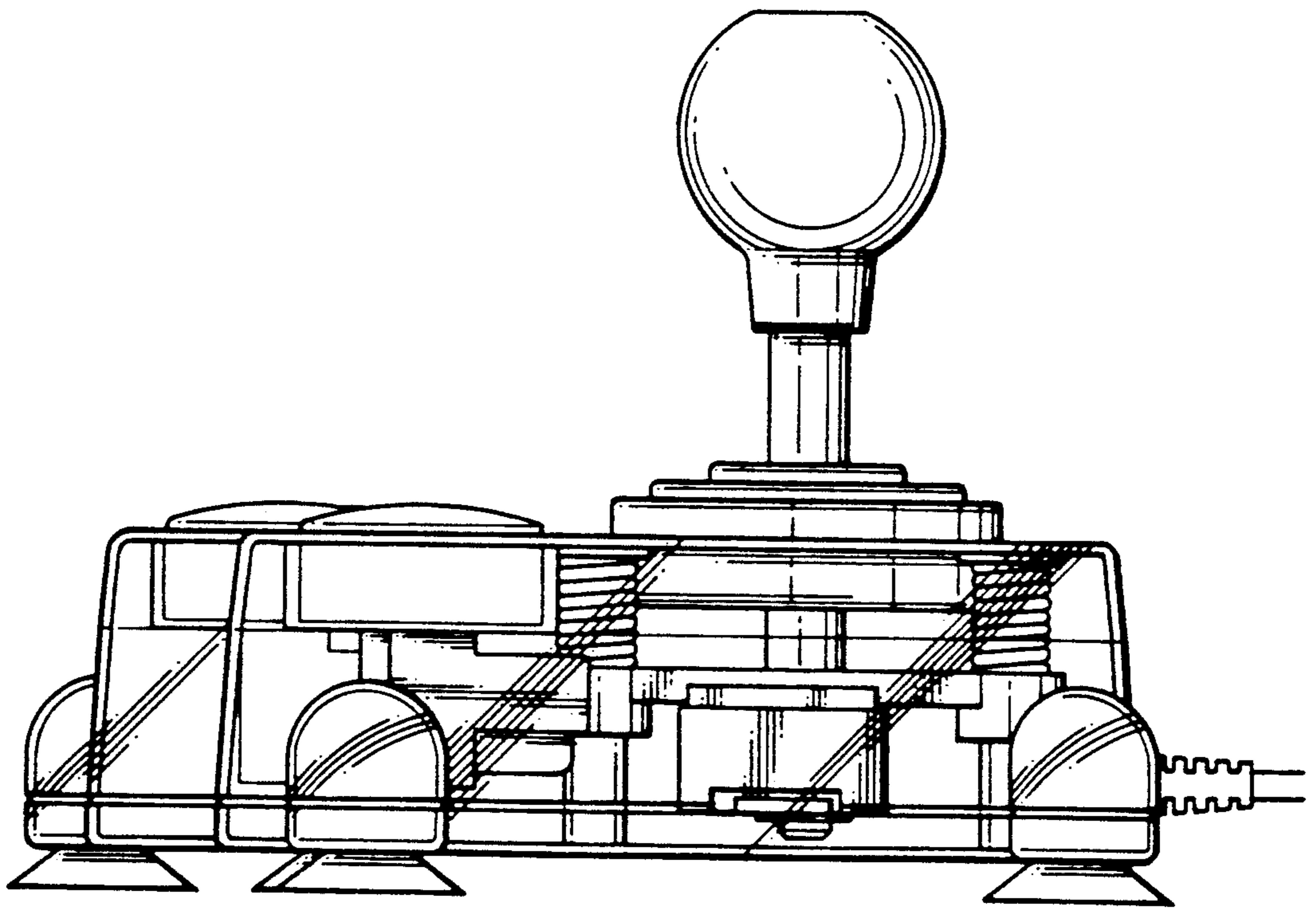


FIG. 2

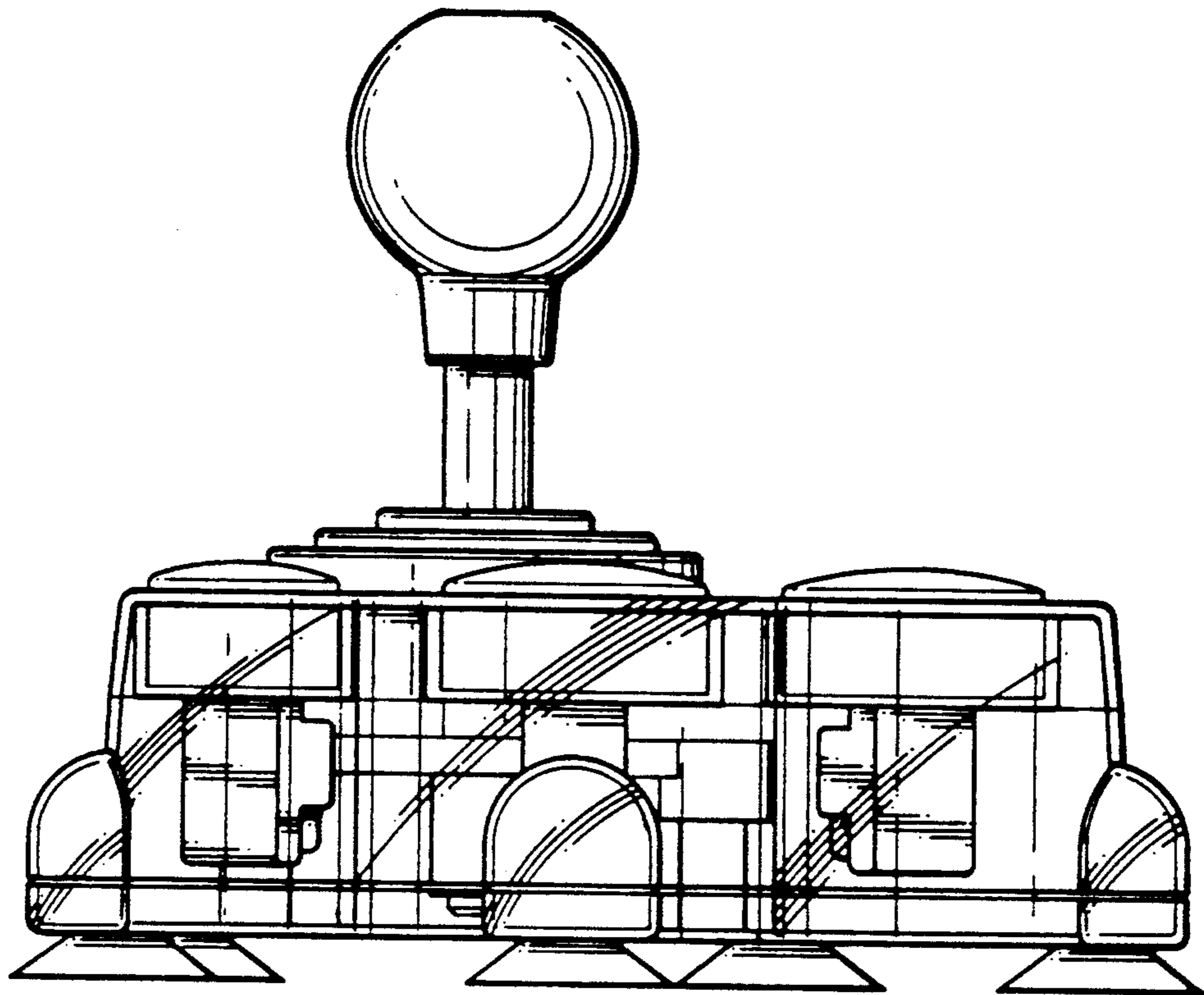


FIG. 4

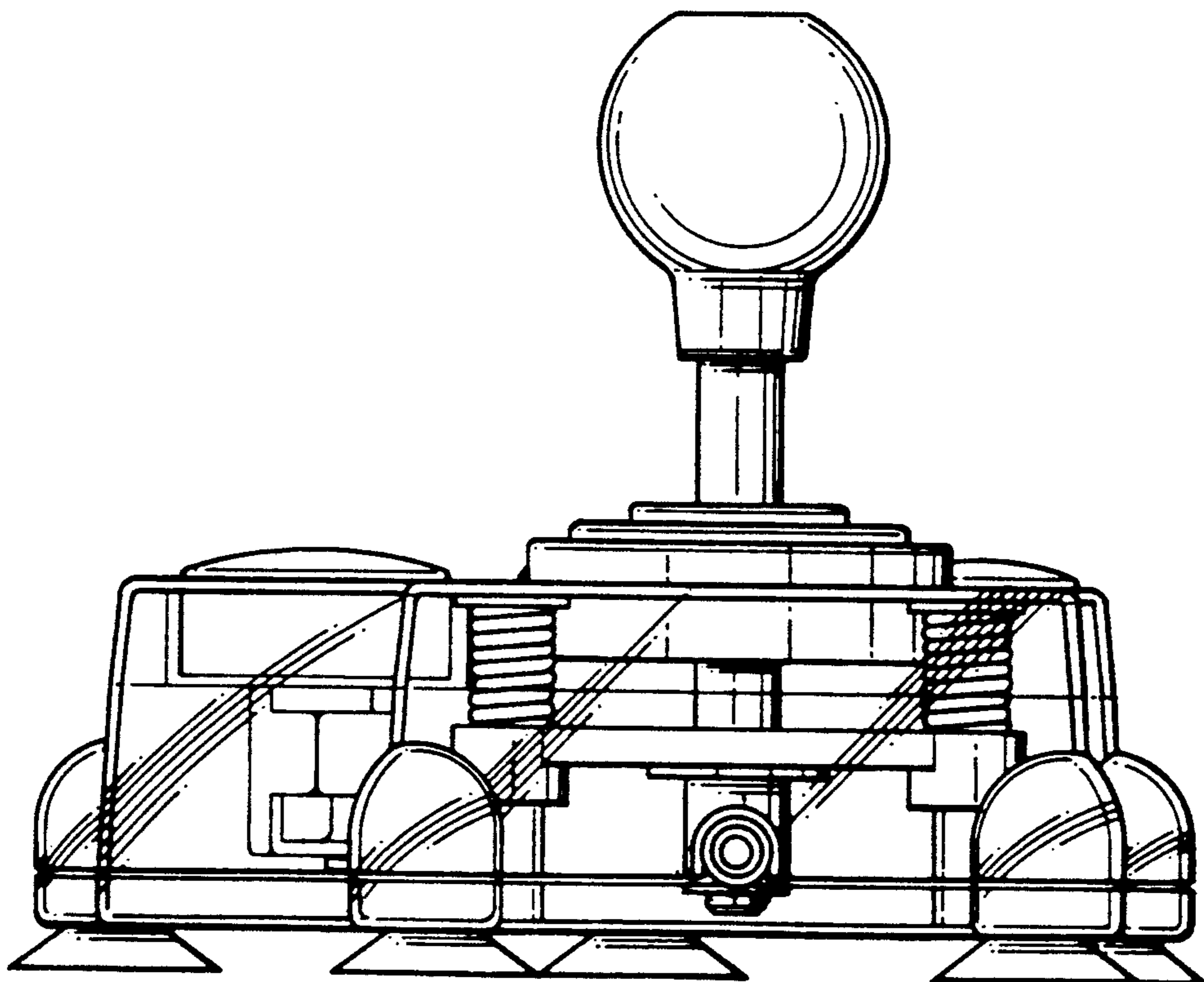


FIG. 3

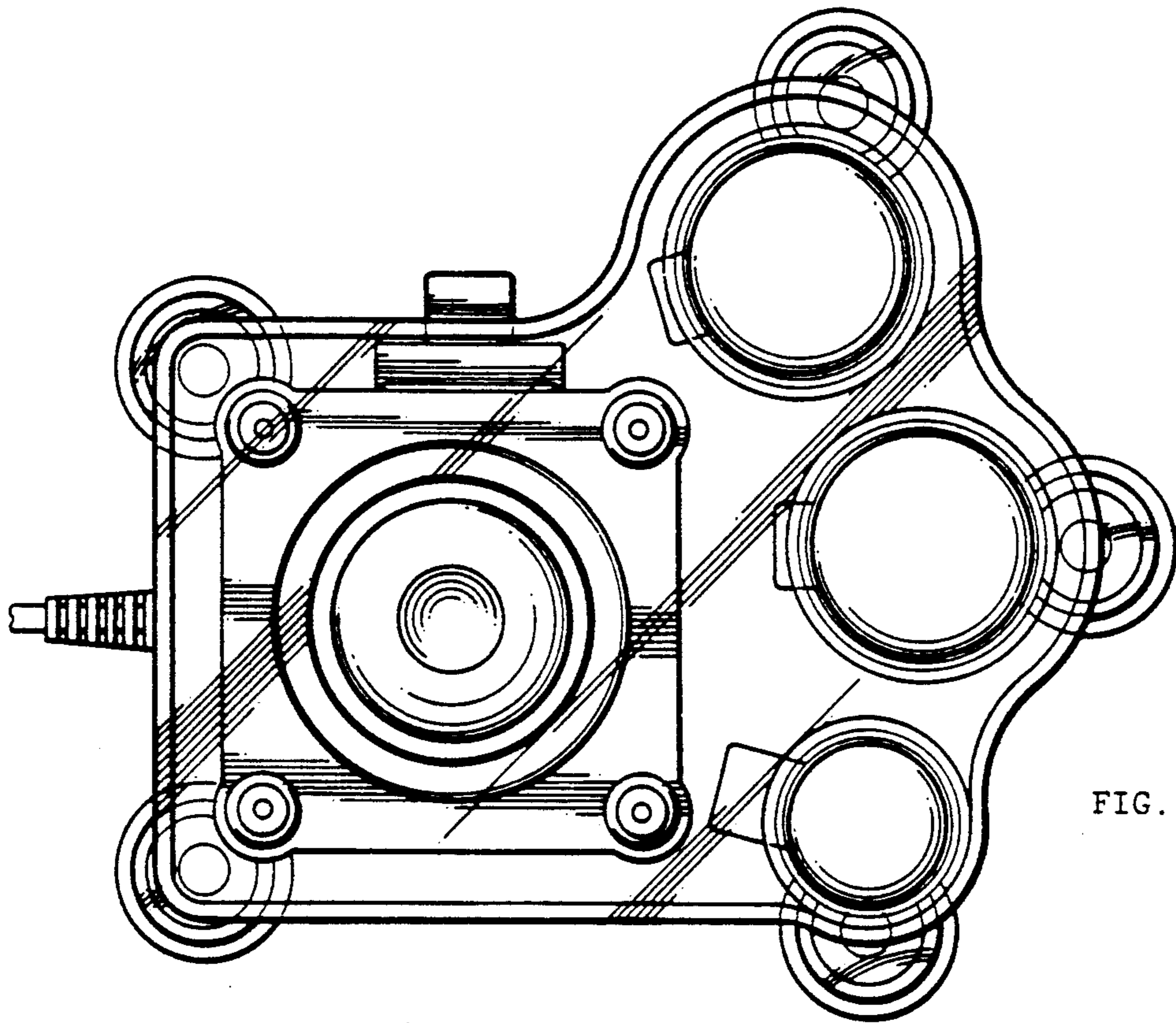


FIG. 5

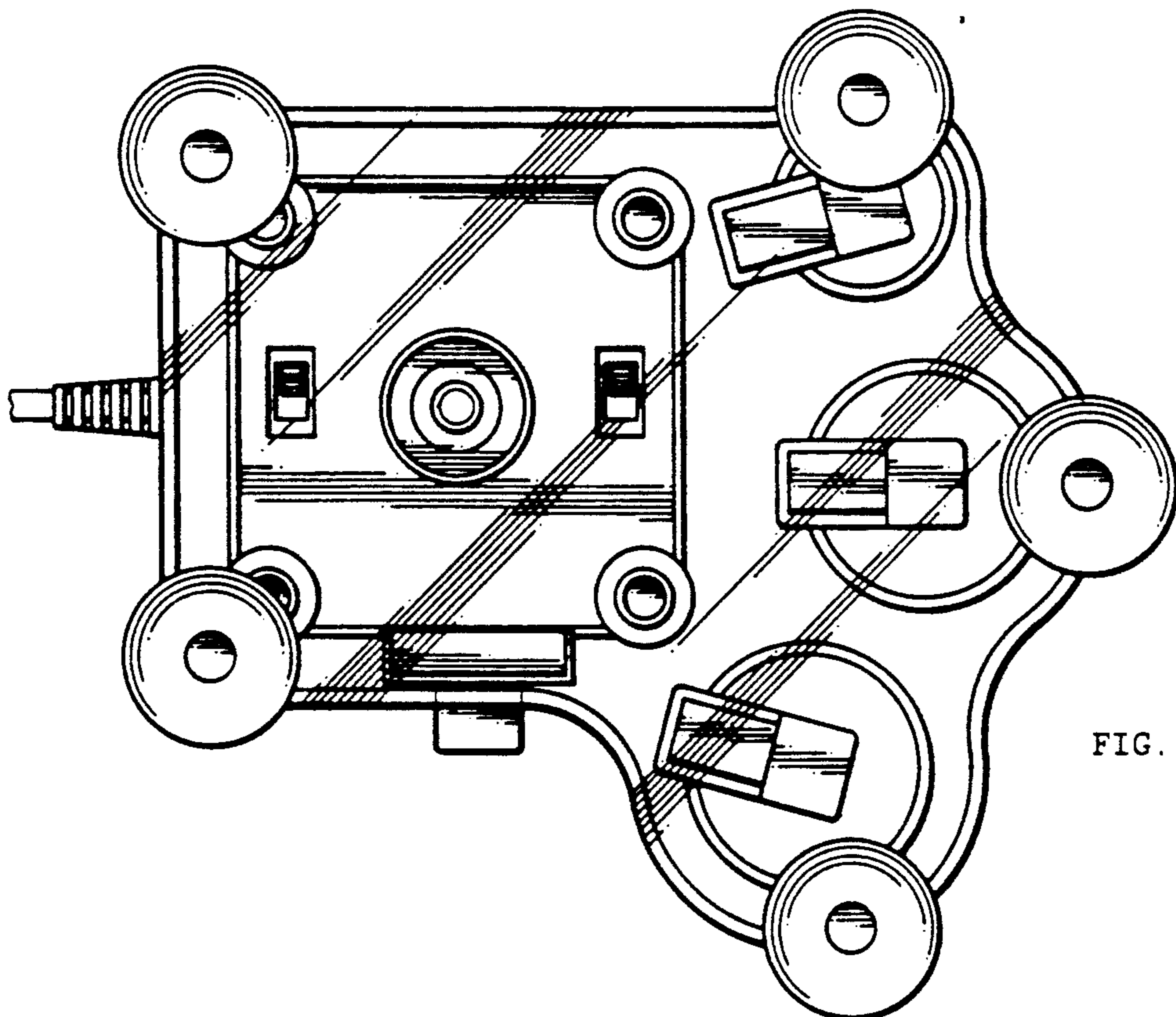


FIG. 6