



US00D342762S

United States Patent [19] Wing

[11] Patent Number: Des. 342,762

[45] Date of Patent: ** Dec. 28, 1993

[54] ELECTRONIC GAME HOUSING

[75] Inventor: Lee C. Wing, Kowloon, Hong Kong

[73] Assignee: Fixtron Limited, Tortola, Great Britain

[**] Term: 14 Years

[21] Appl. No.: 798,428

[22] Filed: Nov. 26, 1991

[52] U.S. Cl. D21/48

[58] Field of Search D21/13, 48;
273/433-438, 148 B, DIG. 28; D14/126, 125,
218

D. 310,390 9/1990 Besasie D21/13
D. 324,548 3/1992 Ashida D21/13
5,046,739 4/1991 Reichow 273/148 B

OTHER PUBLICATIONS

Playthings, Feb. 1980, p. 154, Super Simon.
Hong Kong Enterprise, Dec. 1980, p. 190, bottom of the page.

Primary Examiner—Prabhakar G. Deshmukh
Attorney, Agent, or Firm—Charles Berman; Sarah B. Adriano; Sheldon & Mak

[57] CLAIM

The ornamental design for an electronic game housing, as shown and described.

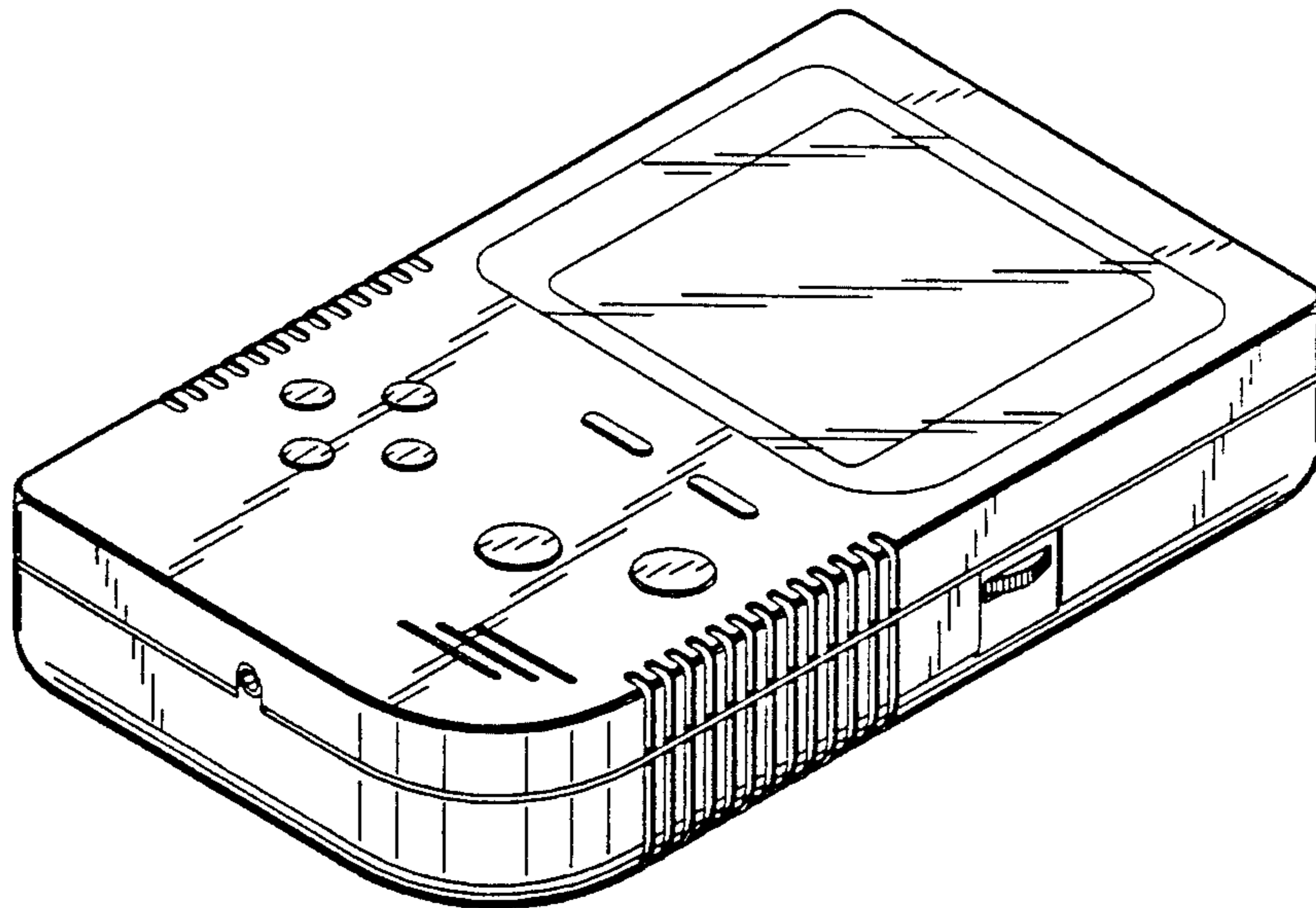
[56] References Cited

U.S. PATENT DOCUMENTS

D. 262,044 11/1981 Montague D21/13
D. 271,891 12/1983 Renteria D21/13
D. 300,831 4/1989 Jenkins et al. D14/218

DESCRIPTION

FIG. 1 is a top perspective view of an electronic game housing showing my new design; and, FIG. 2 is a bottom perspective view thereof; showing undisclosed sides in FIG. 1.



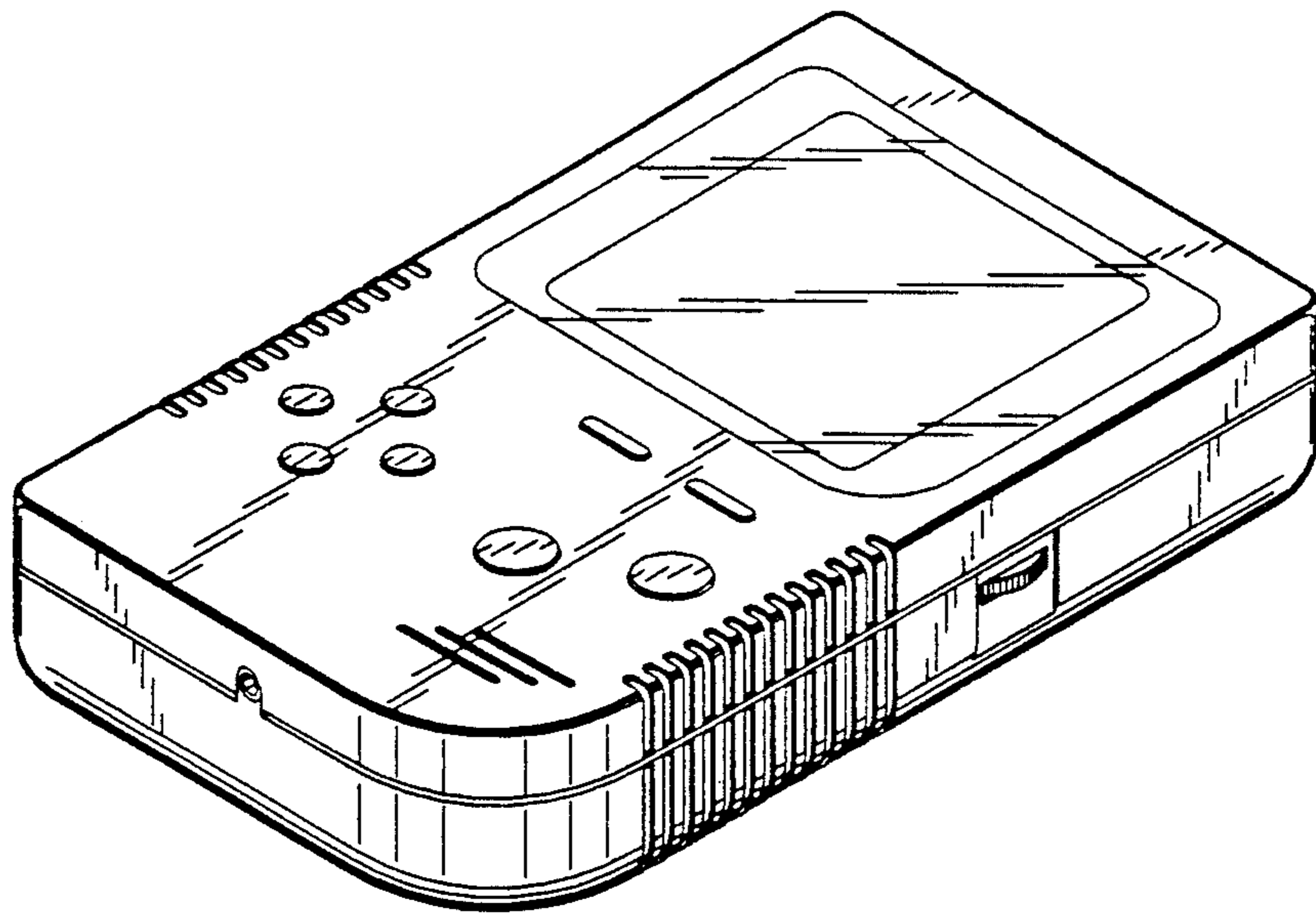


FIG. 1

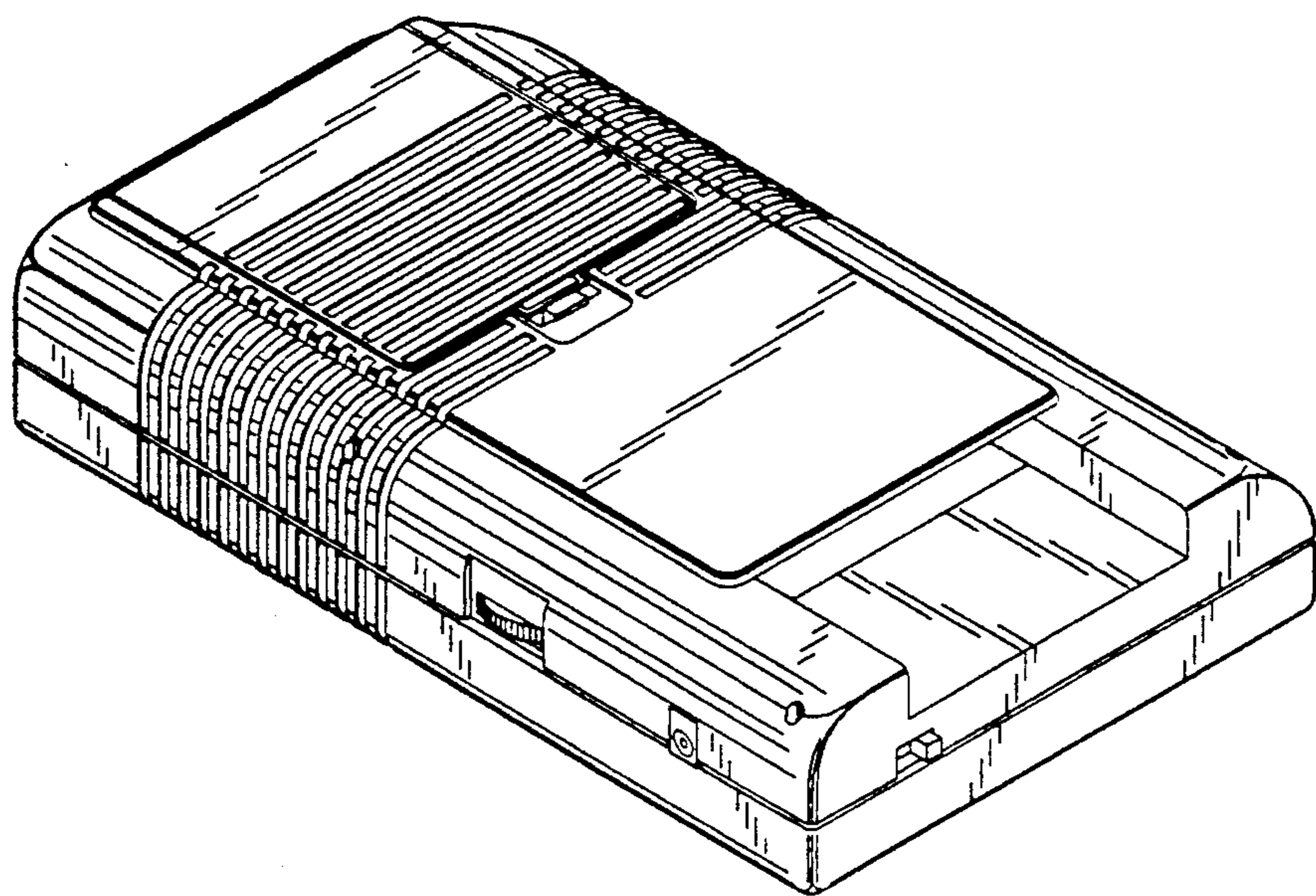


FIG. 2

UNITED STATES PATENT AND TRADEMARK OFFICE
CERTIFICATE OF CORRECTION

PATENT NO. : Des. 342,762
DATED : Dec. 28, 1993
INVENTOR(S) : Lee, Chun Wing

It is certified that error appears in the above-identified patent and that said Letters Patent is hereby corrected as shown below:

On the title page, under item [19], change "Wing" to --Lee--,
item [75], change "Lee C. Wing" to --Chun Wing Lee--,
item [73], change "Tortola, Great Britain" to --Tortola, British
Virgin Islands--.

Signed and Sealed this
Fourth Day of October, 1994



Attest:

Attesting Officer

BRUCE LEHMAN

Commissioner of Patents and Trademarks