



US00D342753S

United States Patent [19] Haga

[11] Patent Number: **Des. 342,753**

[45] Date of Patent: **** Dec. 28, 1993**

[54] **ELECTRONIC FLASH FOR A CAMERA**

[75] Inventor: **Masaaki Haga**, Tokyo, Japan

[73] Assignee: **Asahi Kogaku Kogyo K.K.**, Tokyo, Japan

[**] Term: **14 Years**

[21] Appl. No.: **866,227**

[22] Filed: **Apr. 8, 1992**

[30] **Foreign Application Priority Data**

Oct. 9, 1991 [JP] Japan 3-30470

[52] U.S. Cl. **D16/239; D16/240**

[58] Field of Search **D16/237, 239, 240; 354/126, 145.1, 147, 287, 295; 362/3, 16-18**

[56] **References Cited**

U.S. PATENT DOCUMENTS

- D. 233,258 10/1974 Prochnow et al. D16/240
- D. 241,273 8/1976 Okuno et al. D16/240
- D. 271,306 11/1983 Shull D16/240
- D. 303,266 9/1989 Kato D16/239
- 4,382,666 5/1983 Ohtaki et al. 354/145.1

FOREIGN PATENT DOCUMENTS

63-204238 8/1988 Japan 354/145.1

OTHER PUBLICATIONS

Popular Photography, Apr. 19, 1989 p. 26.

Primary Examiner—Bernard Ansher
Assistant Examiner—Adir Aronovich
Attorney, Agent, or Firm—Sughrue, Mion, Zinn
Macpeak & Seas

[57] **CLAIM**

The ornamental design for an electronic flash for a camera, as shown.

DESCRIPTION

FIG. 1 is a perspective view of the front, top and one side of an electronic flash for a camera showing my new design;
FIG. 2 is a front elevational view thereof;
FIG. 3 is a rear elevational view thereof;
FIG. 4 is a side elevational view of said one side;
FIG. 5 is a side elevational view of an opposite side thereof;
FIG. 6 is a top plan view thereof; and,
FIG. 7 is a bottom plan view thereof.

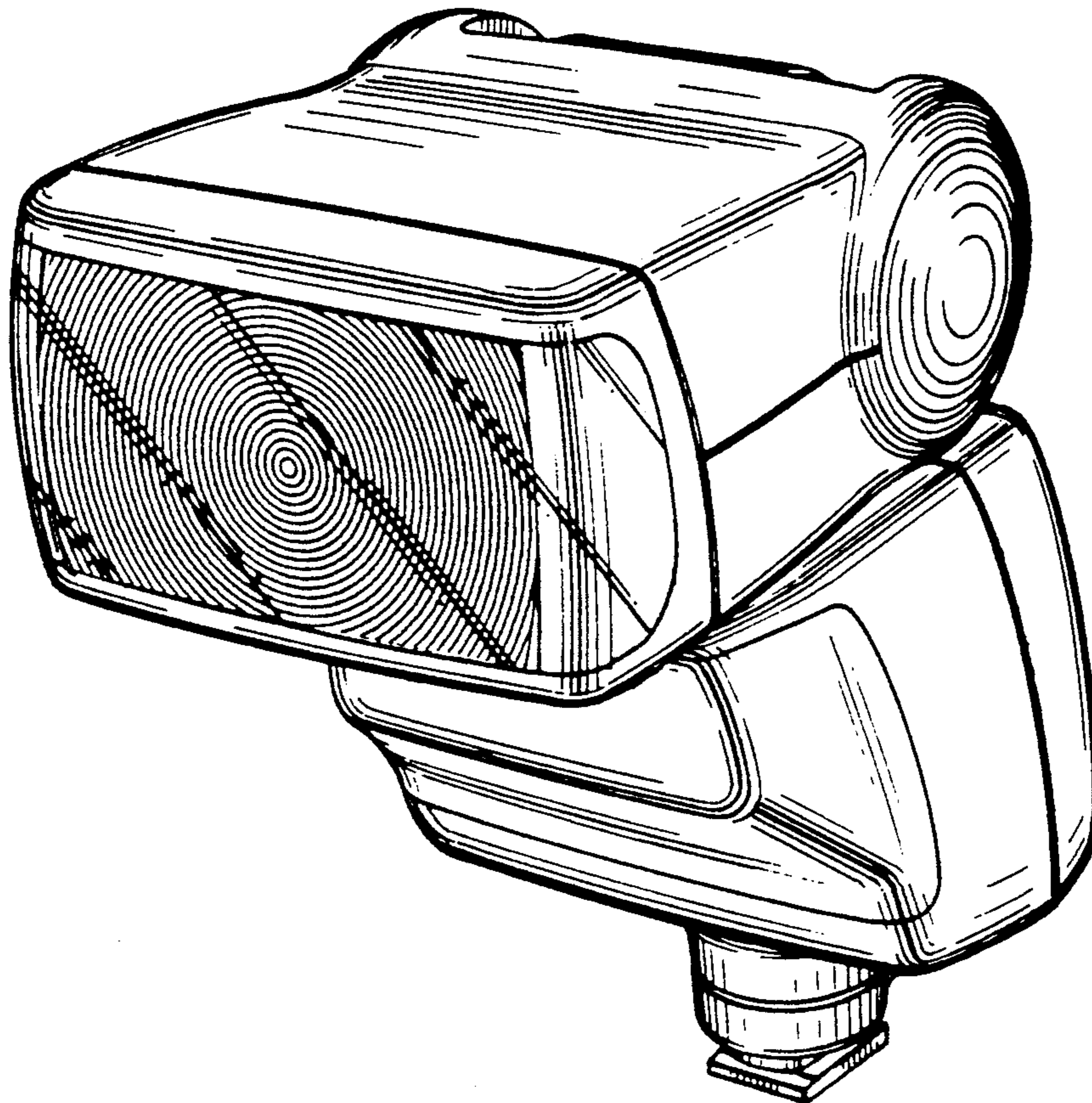


FIG. 1

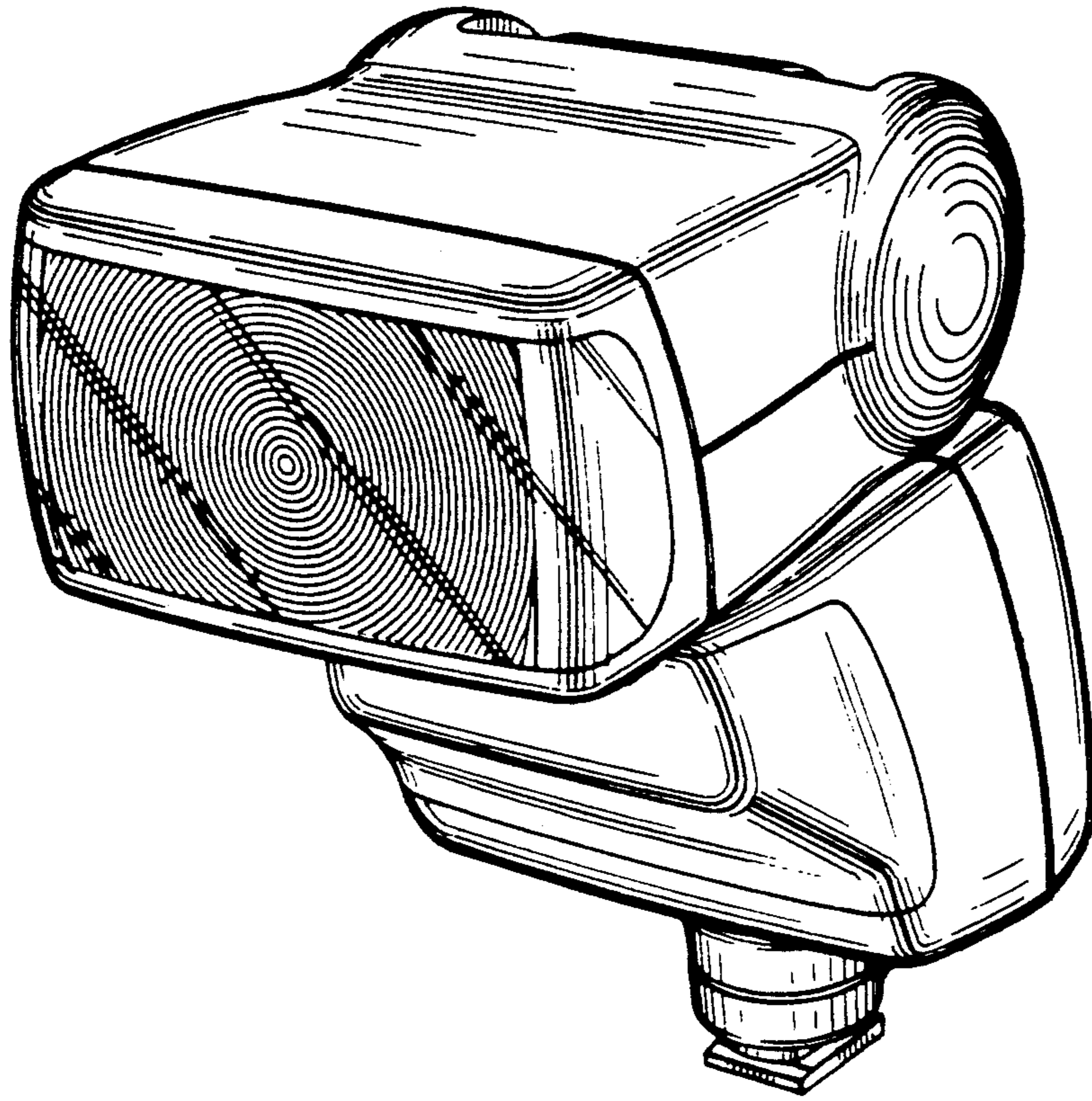


FIG. 2

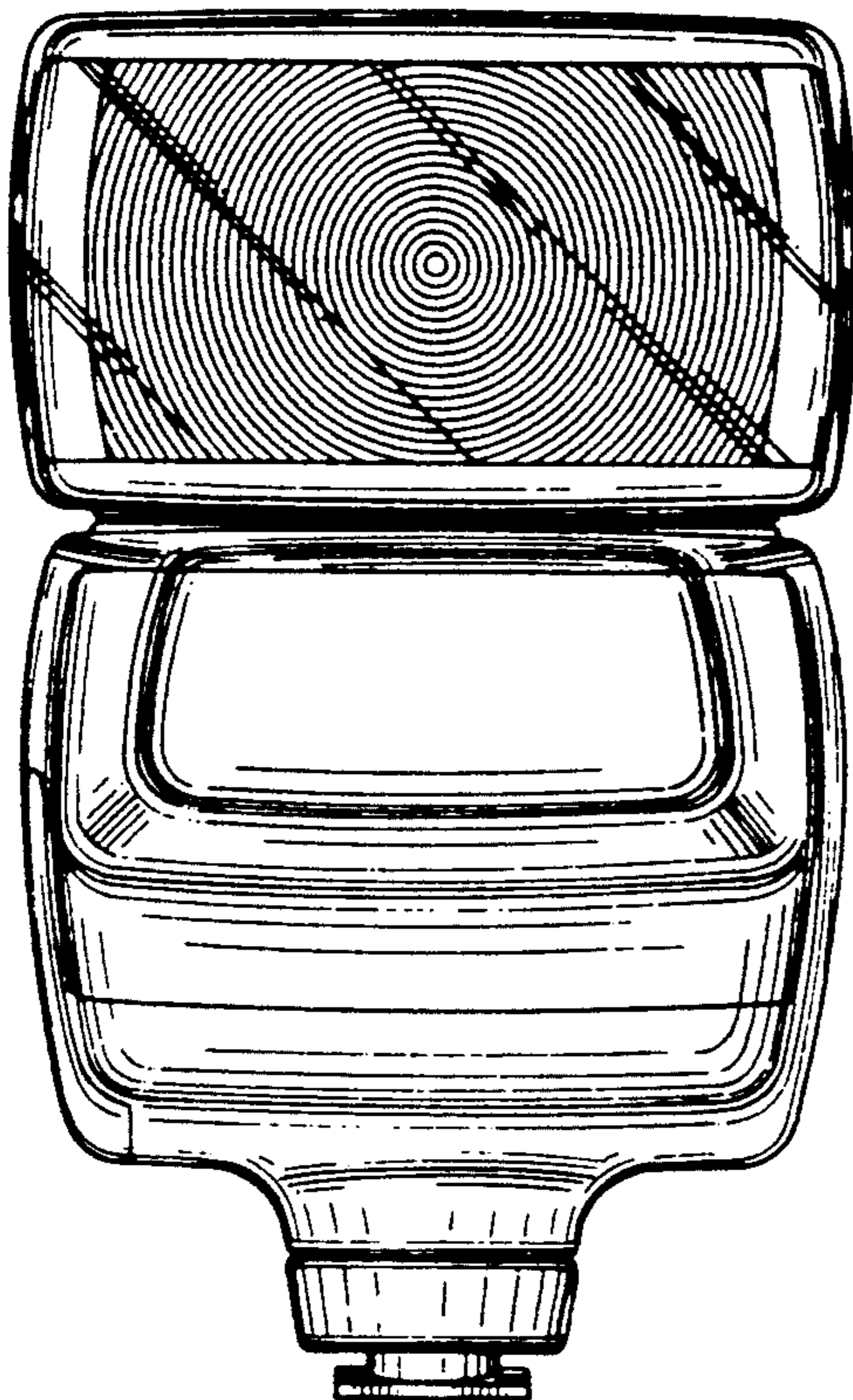


FIG. 3

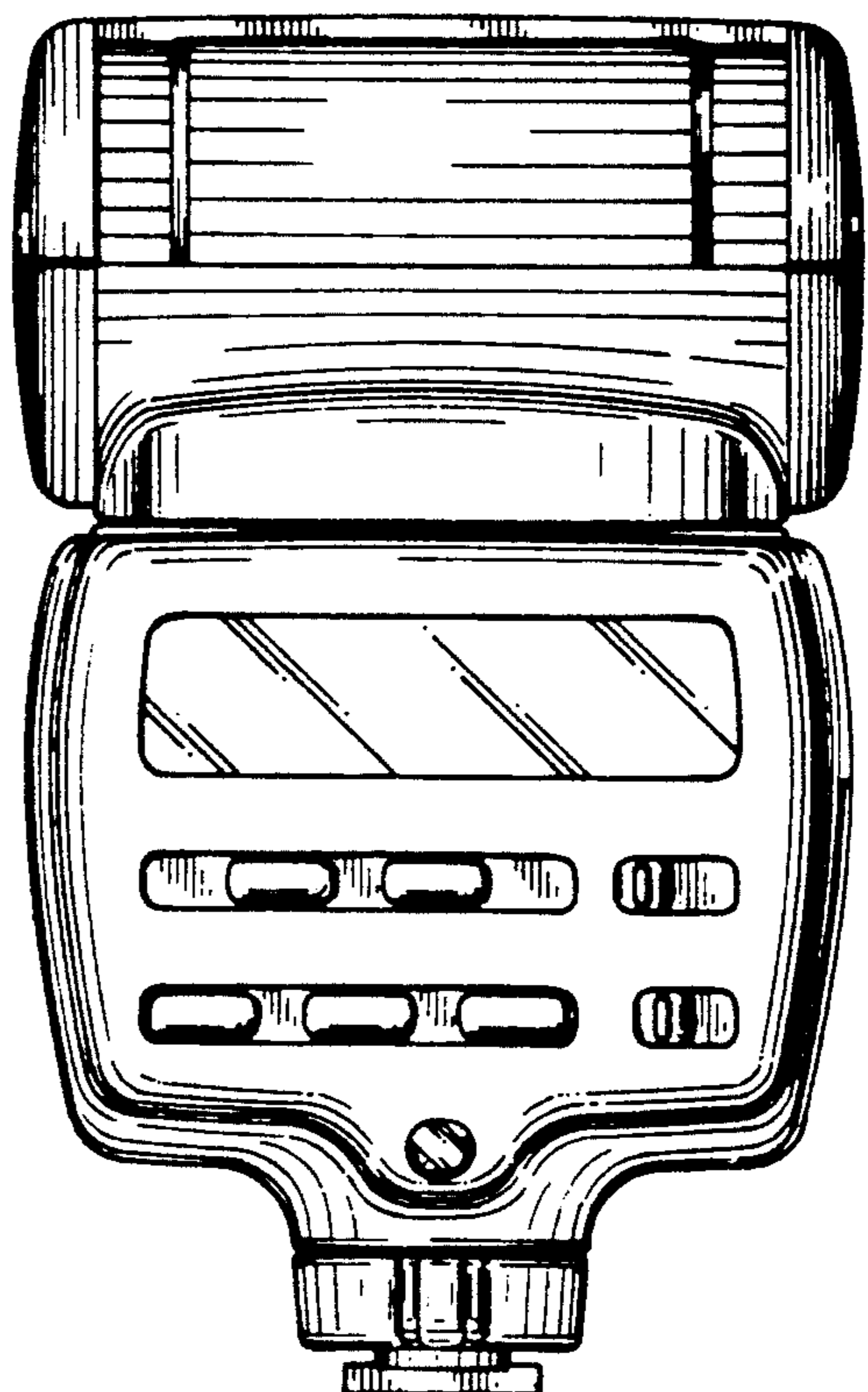


FIG. 4

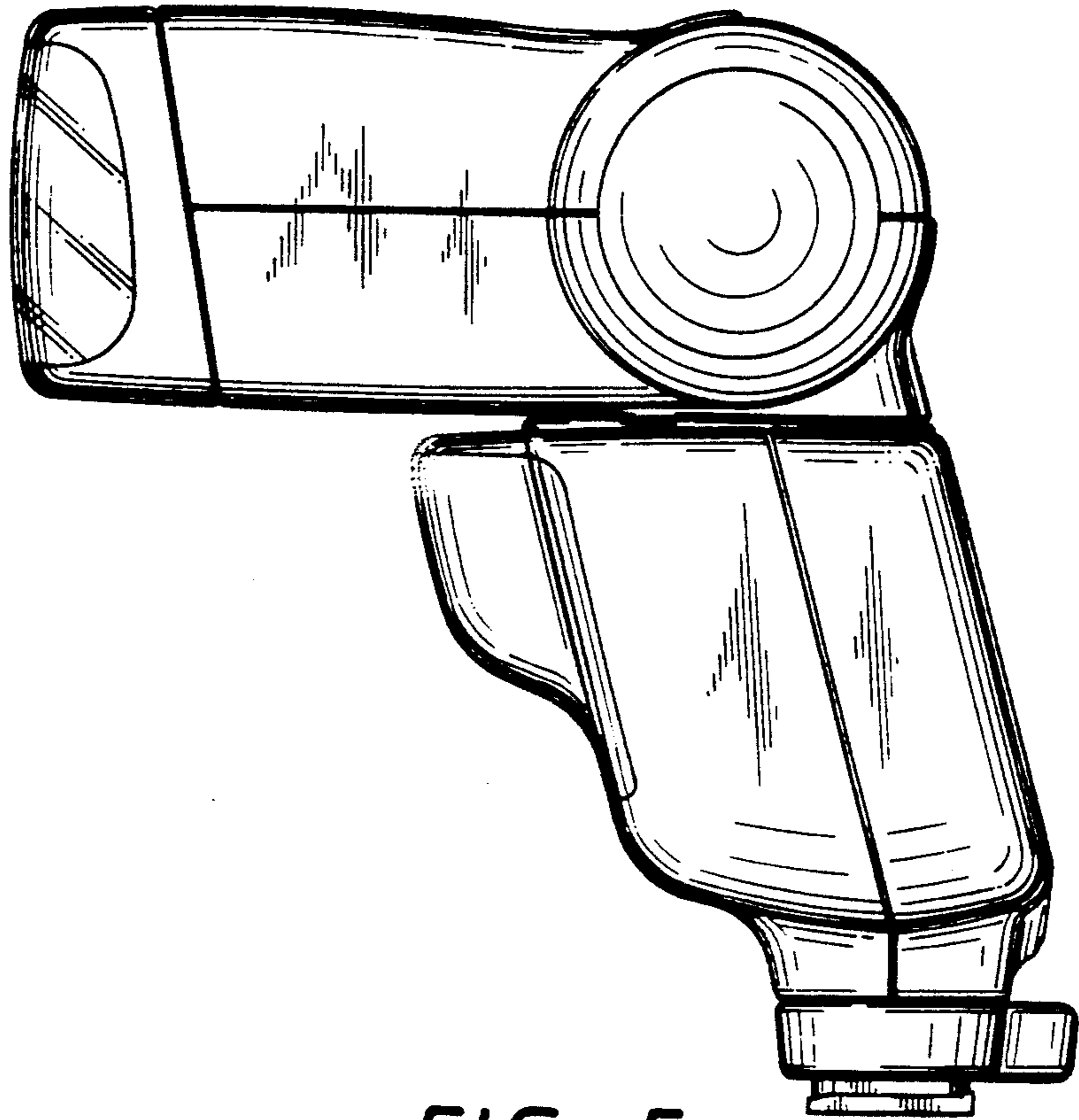


FIG. 5

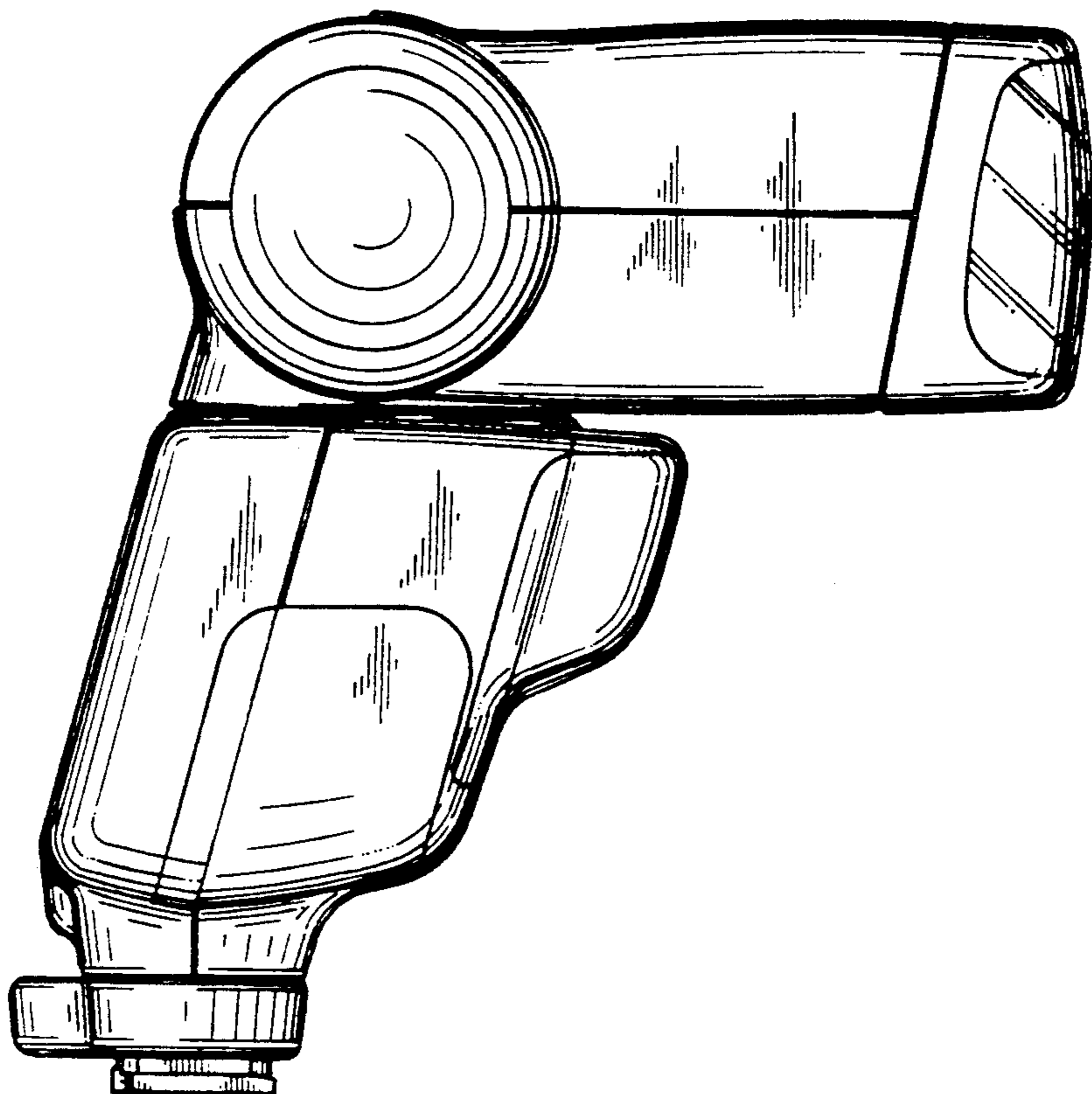


FIG. 6

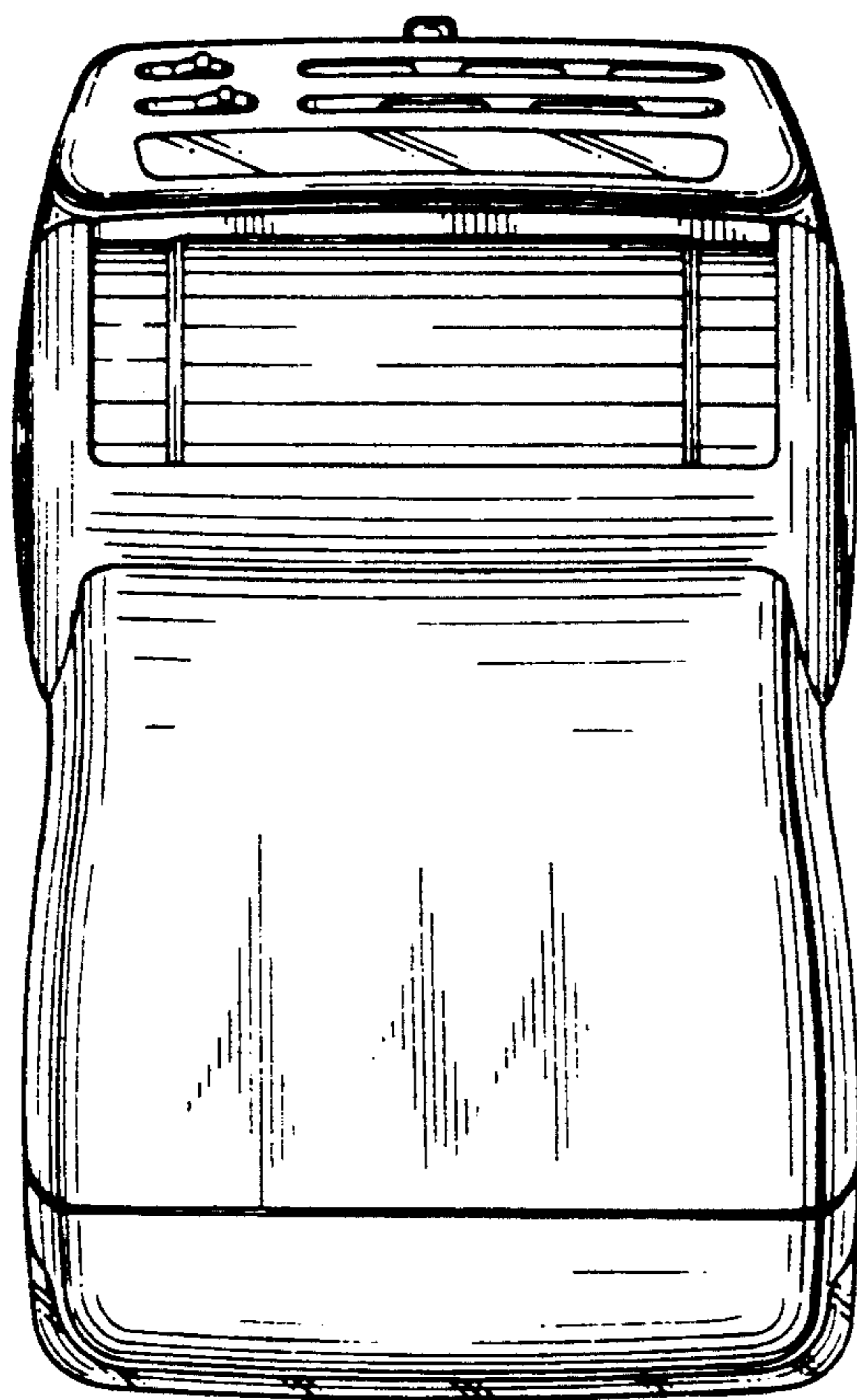


FIG. 7

