



US00D342750S

United States Patent [19]

[11] Patent Number: **Des. 342,750**

Kibushi et al.

[45] Date of Patent: **** Dec. 28, 1993**

[54] COMBINED VIDEO CAMERA AND TAPE RECORDER

[75] Inventors: **Takumi Kibushi; Takeshi Uchikawa; Hiroyuki Kinemura; Emi Yamashita,** all of Osaka, Japan

[73] Assignee: **Sanyo Electric Co., Ltd.,** Osaka, Japan

[**] Term: **14 Years**

[21] Appl. No.: **682,719**

[22] Filed: **Apr. 8, 1991**

[30] Foreign Application Priority Data

Oct. 9, 1990 [JP] Japan 2-33900

[52] U.S. Cl. **D16/202**

[58] Field of Search **D16/200-205, D16/208, 212, 213, 216-218; 354/82, 286; 358/229, 906, 909; D3/33**

[56] References Cited

U.S. PATENT DOCUMENTS

D. 305,769	1/1990	Swayze	D16/202
D. 311,014	10/1990	Tejima	D16/202
D. 314,202	1/1991	Shinano	D16/202
D. 314,203	1/1991	Shinano	D16/202
D. 321,089	10/1991	Miyahara	D16/204
D. 327,492	6/1992	Shinano	D16/202
D. 330,383	10/1992	Uchikawa et al.	D16/202
5,084,775	1/1992	Kodama et al.	358/906

FOREIGN PATENT DOCUMENTS

59-53241	4/1984	Japan	.
578359	4/1984	Japan	.
578360	5/1984	Japan	.
6248965	9/1989	Japan	.

OTHER PUBLICATIONS

Popular Photography, Sep. 1987 p. 68 (Kodak Video Camera).

Video Review, Jun. 1989 p. 50 (Canon's Xap Shot Video Camera).

Primary Examiner—Bernard Ansher
Assistant Examiner—Adir Aronovich
Attorney, Agent, or Firm—Darby & Darby

[57] CLAIM

A design for a combined video camera and tape recorder, as shown.

DESCRIPTION

FIG. 1 is a top front and right side perspective view of a combined video camera and tape recorder showing our new design;

FIG. 2 is a top, rear and left side perspective view thereof;

FIG. 3 is a front elevational view thereof;

FIG. 4 is a rear elevational view thereof;

FIG. 5 is a top plan view thereof;

FIG. 6 is a bottom plan view thereof;

FIG. 7 is a left elevational side view thereof; and,

FIG. 8 is a right side elevational view thereof.

The broken lines are for illustrative purposes only and form no part of the claim.

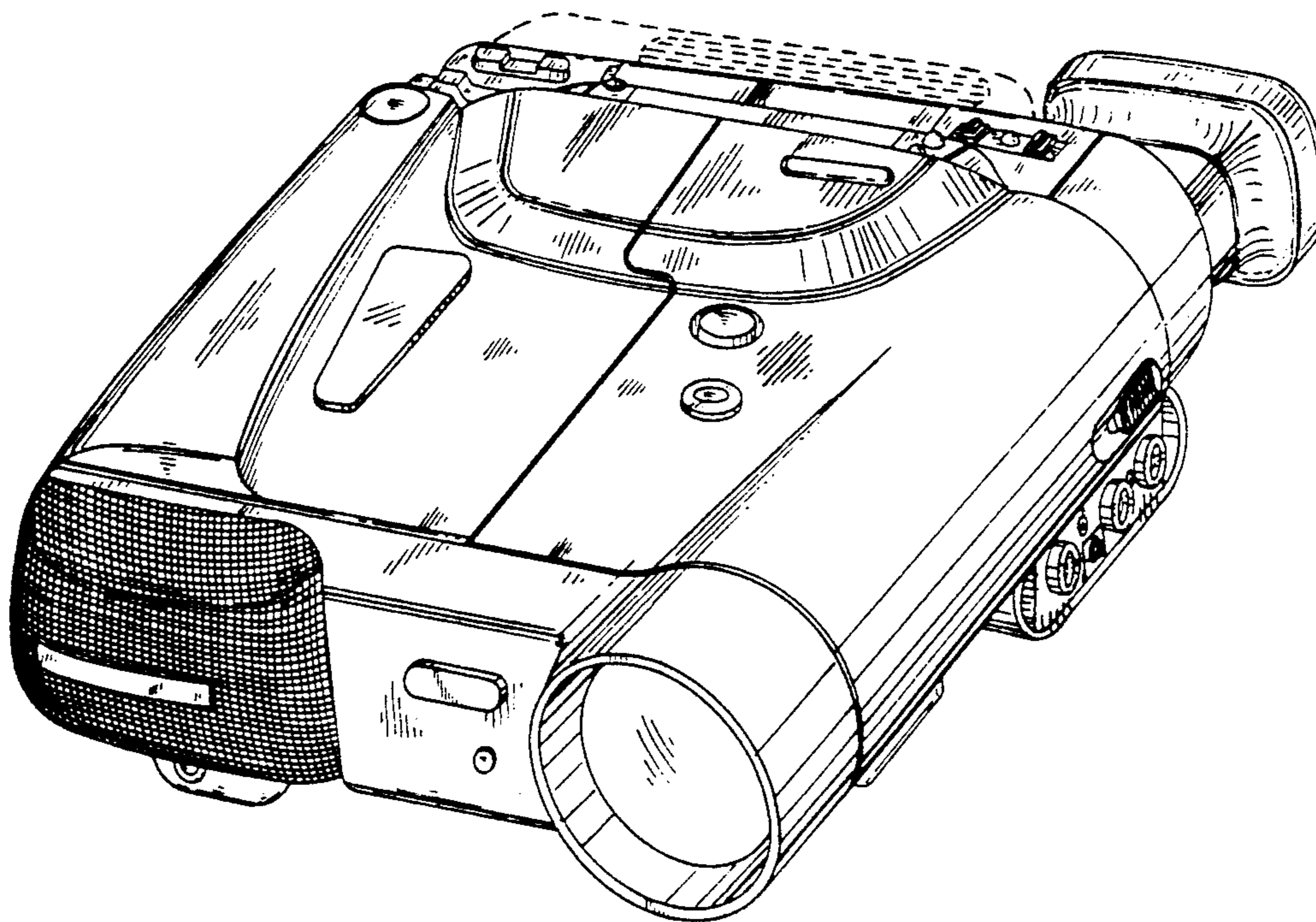


FIG. 1

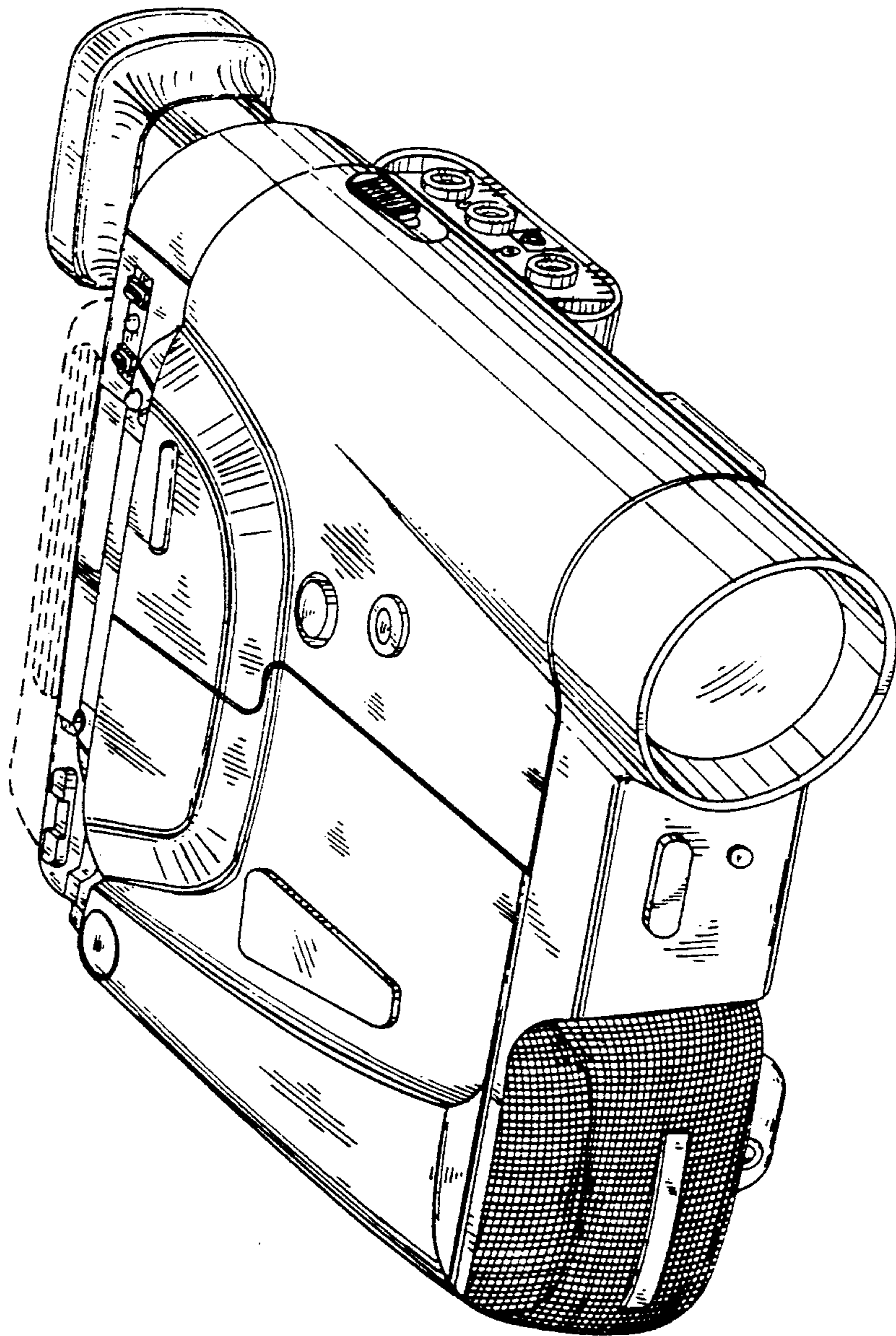


FIG. 2

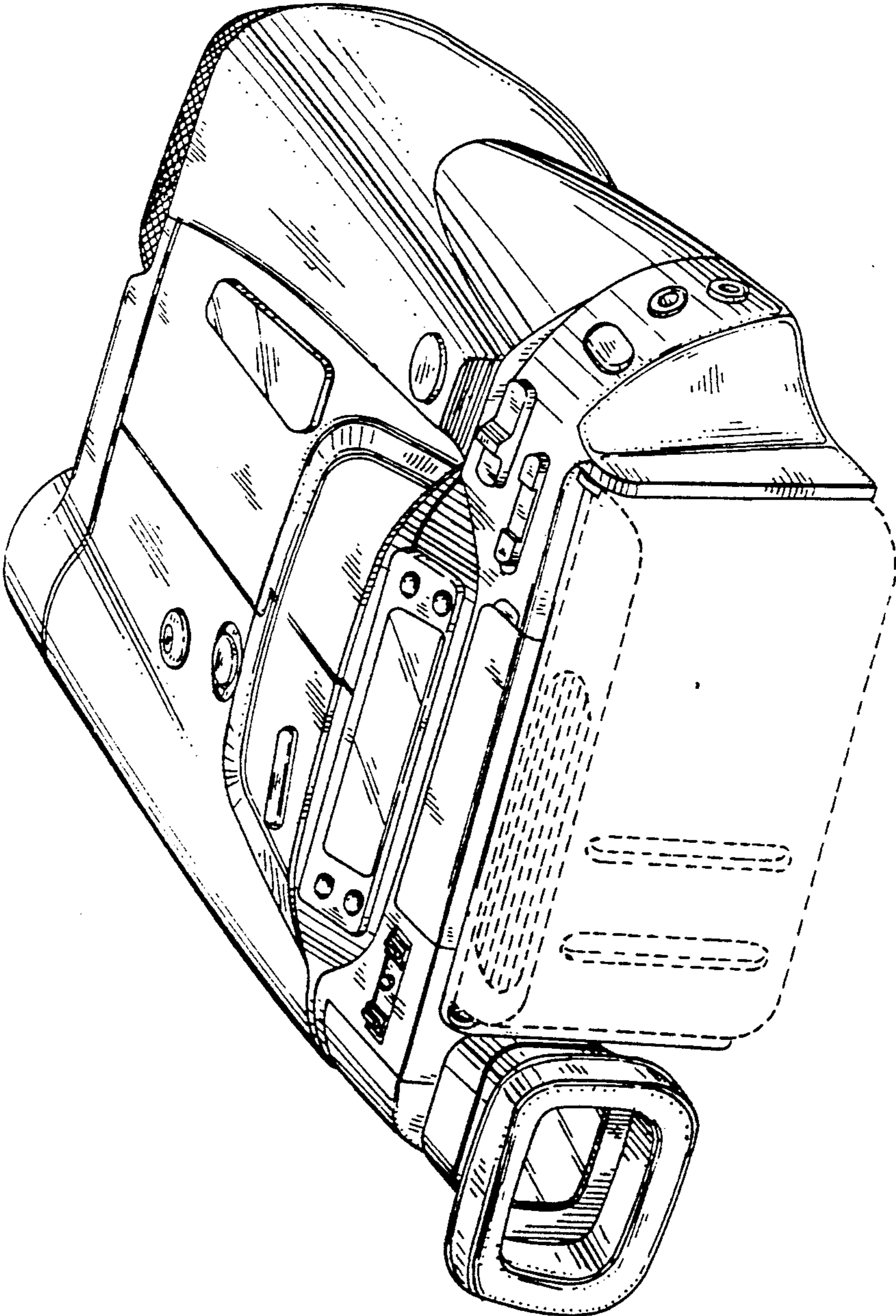


FIG. 3

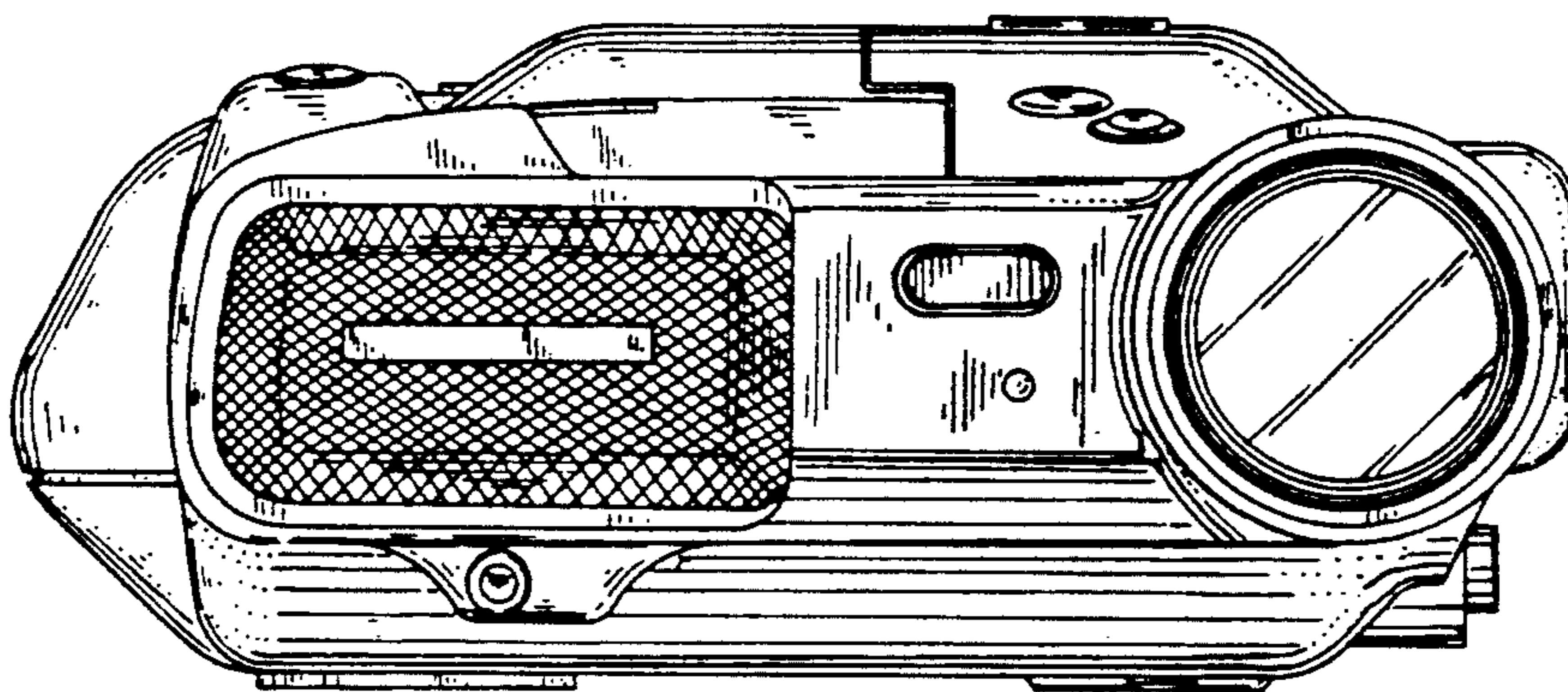


FIG. 4

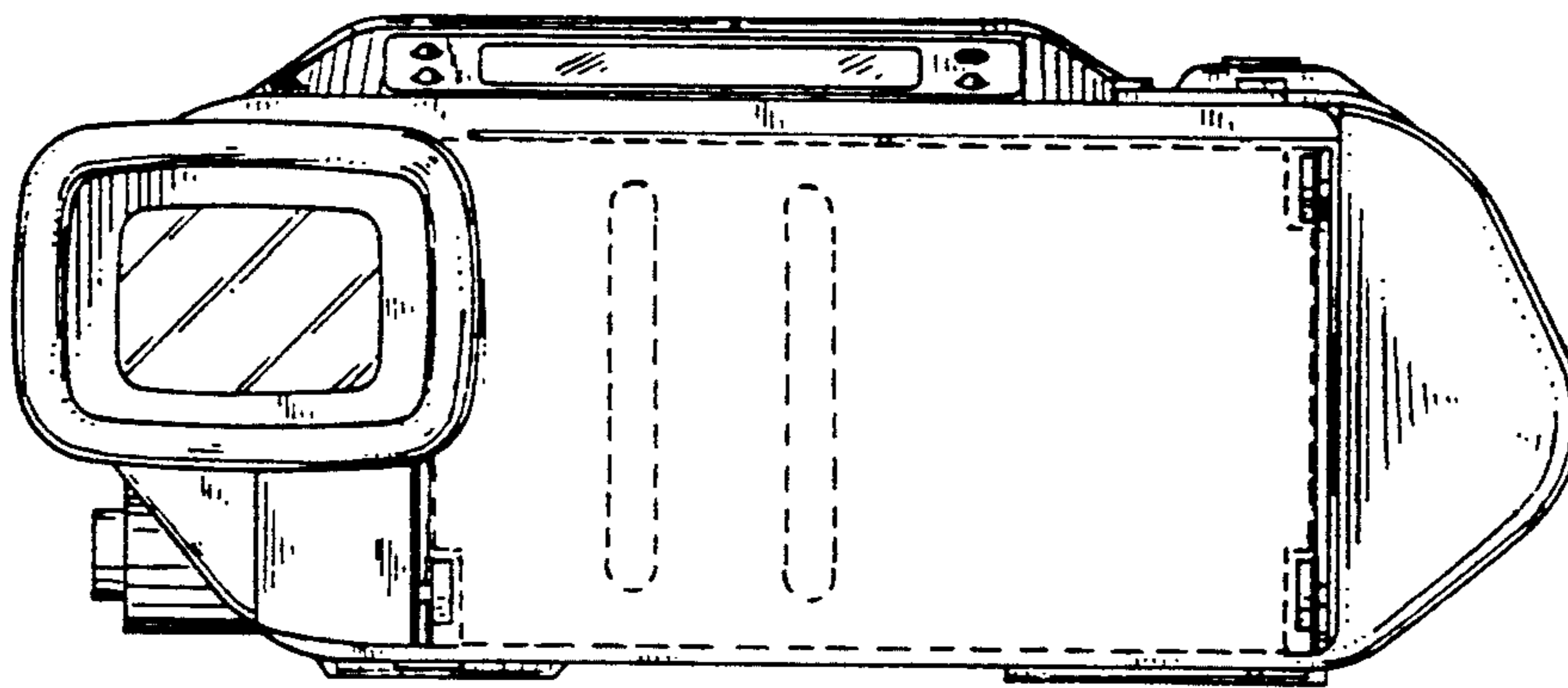


FIG. 5

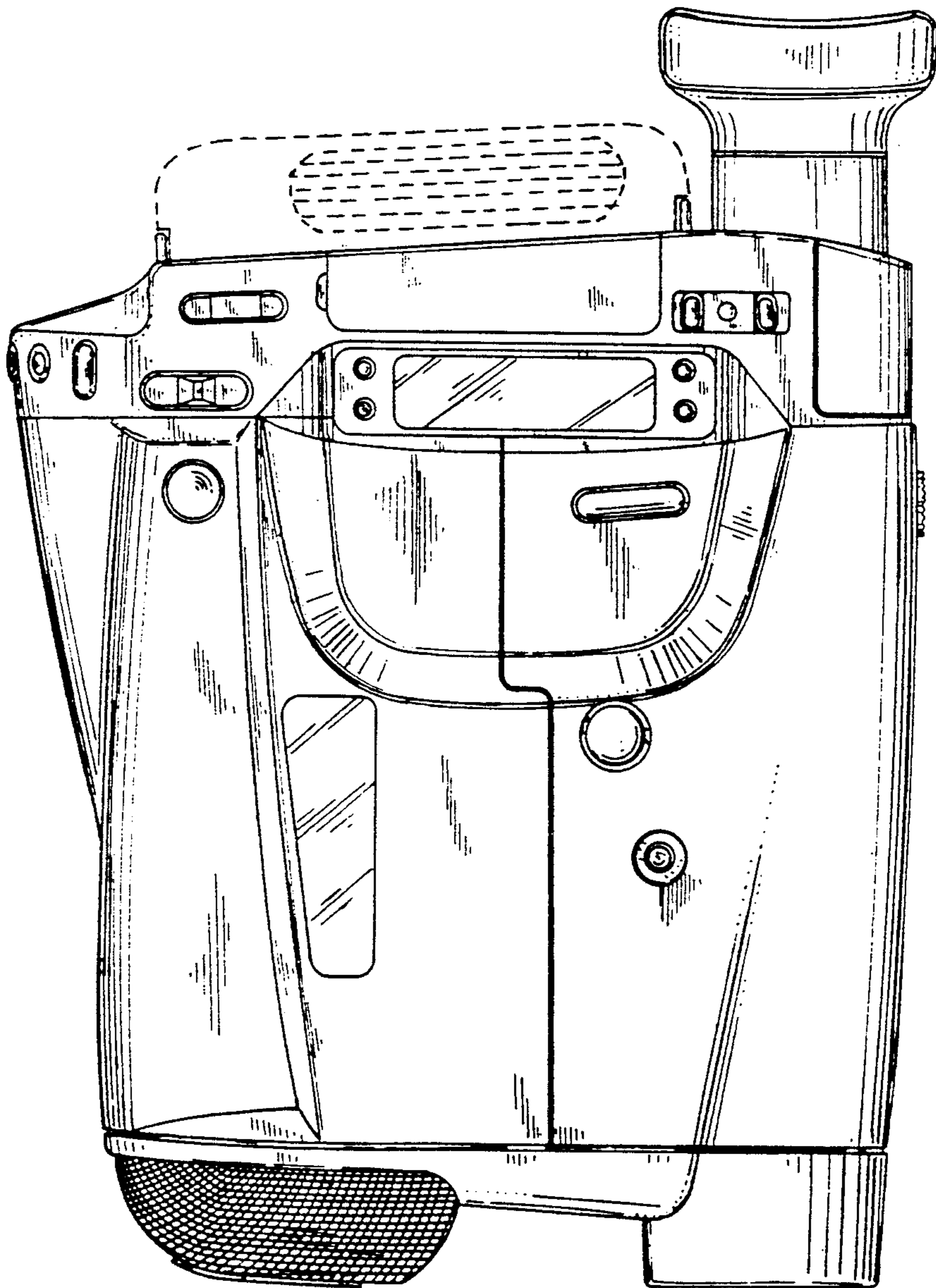


FIG. 6

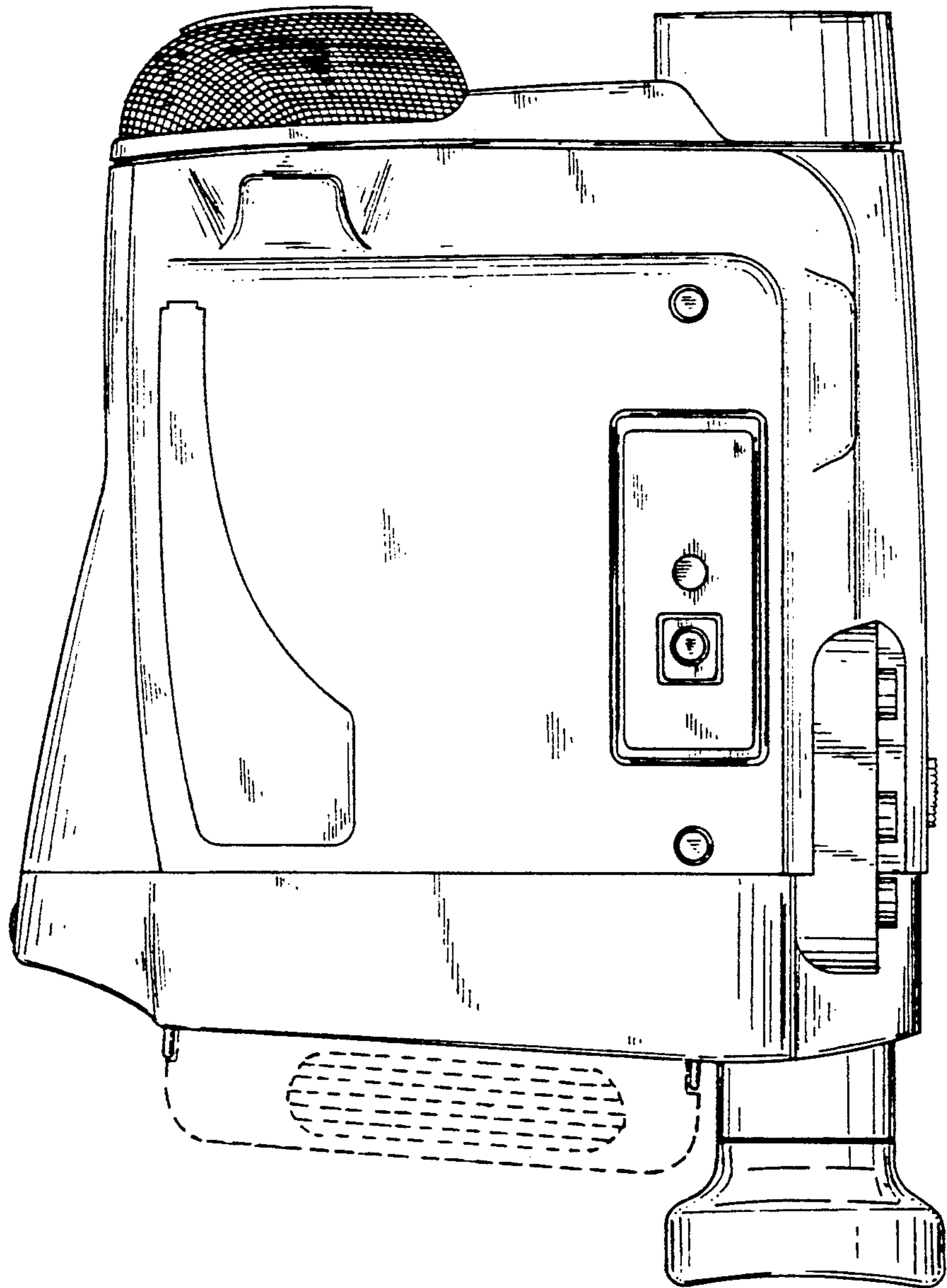


FIG. 7

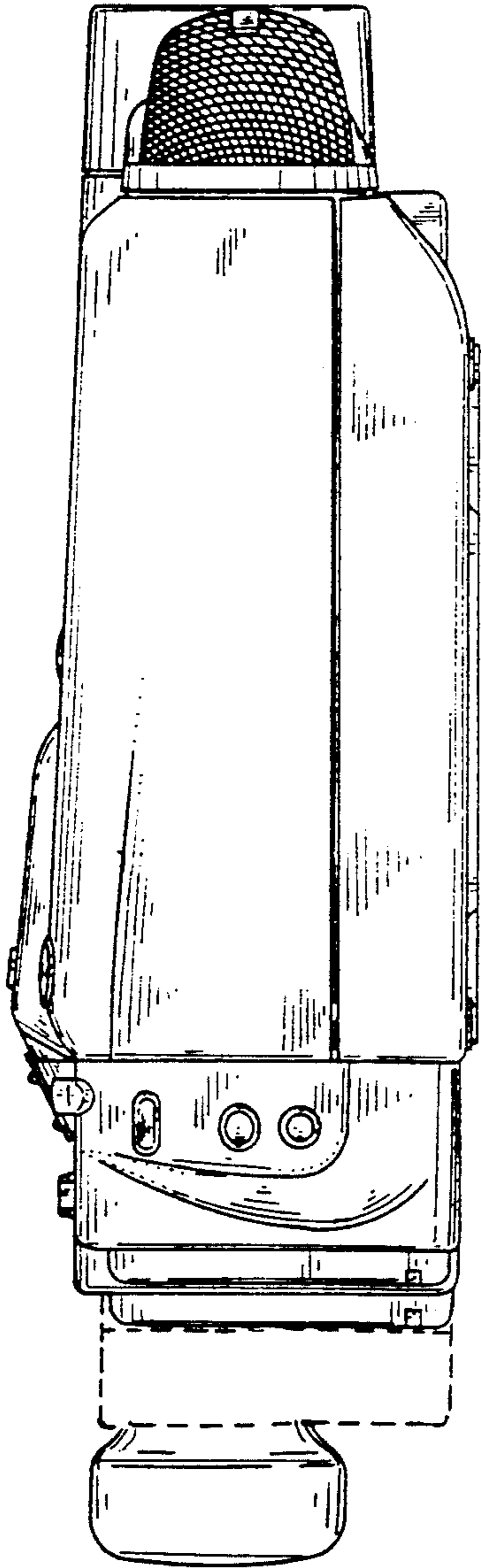


FIG. 8

