



US00D342749S

United States Patent [19]

Dhuruvasangary et al.

[11] Patent Number: **Des. 342,749**

[45] Date of Patent: **** Dec. 28, 1993**

[54] **COMBINATION TELESCOPE AND MICROSCOPE**

[76] Inventors: **Veerasingham Dhuruvasangary; Tharmasangary Uthayasangary**, both of 44 Timber Bank Blvd., Scarborough, Ontario, Canada, M1W 1Z6

[**] Term: **14 Years**

[21] Appl. No.: **724,352**

[22] Filed: **Jul. 1, 1991**

[52] U.S. Cl. **D16/132; D16/131**

[58] Field of Search **D16/131, 132; 359/424, 359/427, 426, 430, 429, 399, 401, 383; 33/275 R, 278, 272**

[56] **References Cited**

U.S. PATENT DOCUMENTS

D. 305,128	12/1989	Tsuji	D16/132
D. 333,669	3/1993	Ohshima	D16/132
153,494	7/1874	Nystrom et al.	359/427 X
327,320	9/1885	Saegmuller	359/429
678,467	7/1901	Groomes	359/399
2,003,171	5/1935	Burrell	359/430 X

2,189,964	2/1940	Sealey	D16/132 X
3,173,984	3/1965	Vogel	.	
3,434,772	3/1969	Fogel	.	
3,804,486	4/1974	Van Exel	.	
4,279,463	7/1981	Little	359/399
4,946,257	8/1990	Feinbloom et al.	359/399
5,004,332	4/1991	Edwards	359/399 X

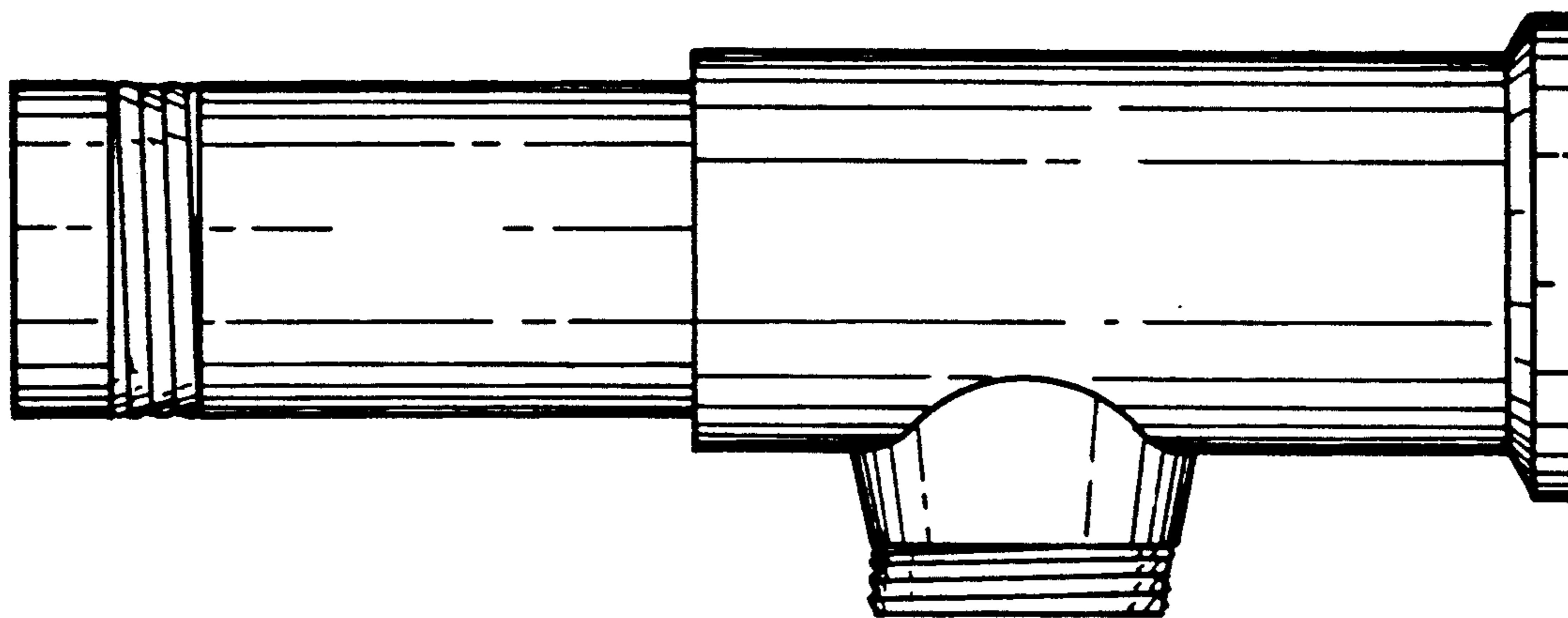
Primary Examiner—A. Hugo Word
Assistant Examiner—Doris V. Coles
Attorney, Agent, or Firm—Terry M. Gernstein

[57] **CLAIM**

The ornamental design for a combination telescope and microscope, as shown and described.

DESCRIPTION

FIG. 1 is an exploded perspective view of a combination telescope and microscope, showing our new design;
FIG. 2 is a front elevational view thereof;
FIG. 3 is a rear elevational view thereof;
FIG. 4 is a complete side elevational view thereof, the side opposite being a mirror image of the side shown in FIG. 4;
FIG. 5 is a top plan view thereof; and,
FIG. 6 is a bottom view thereof.



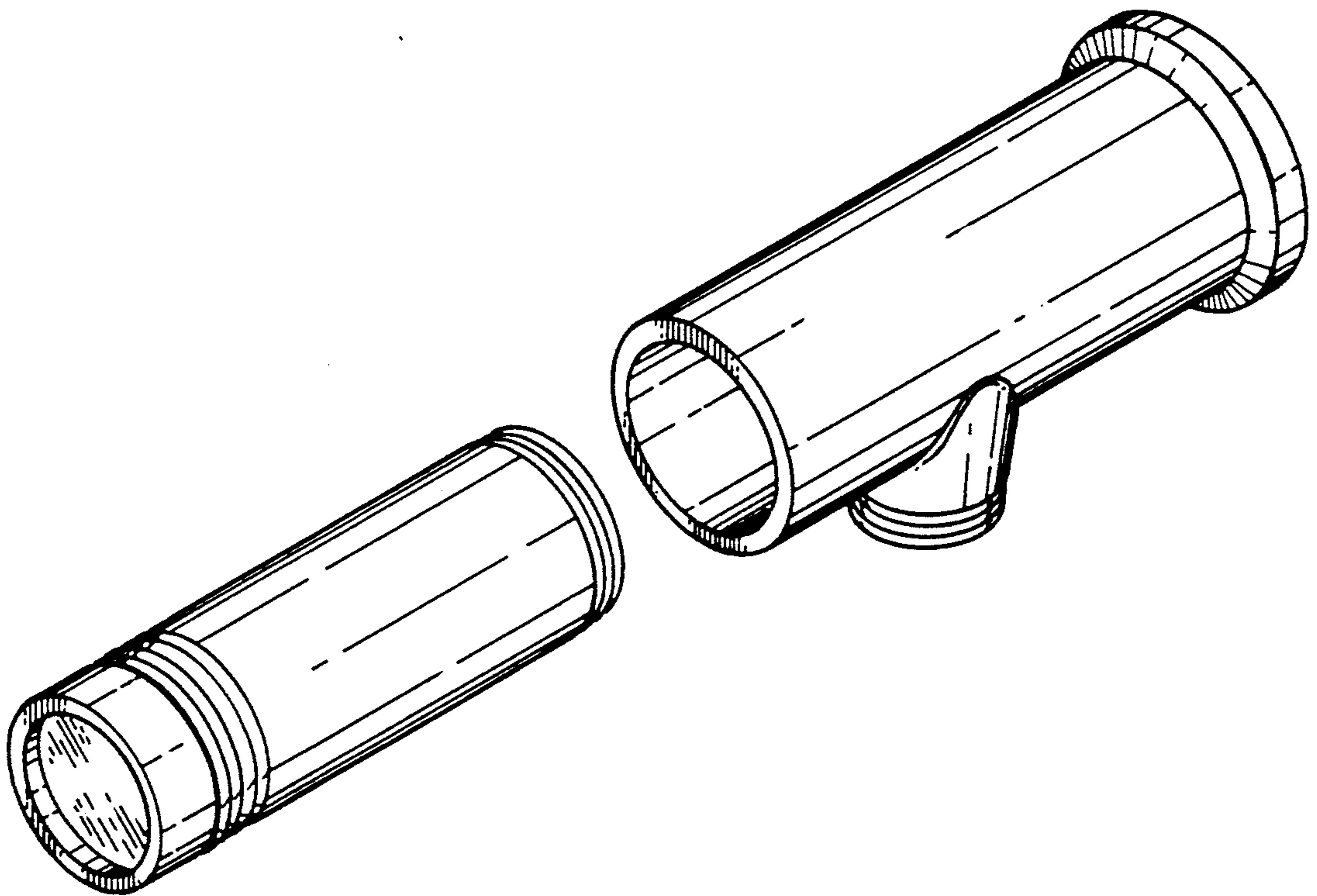


FIG. 1

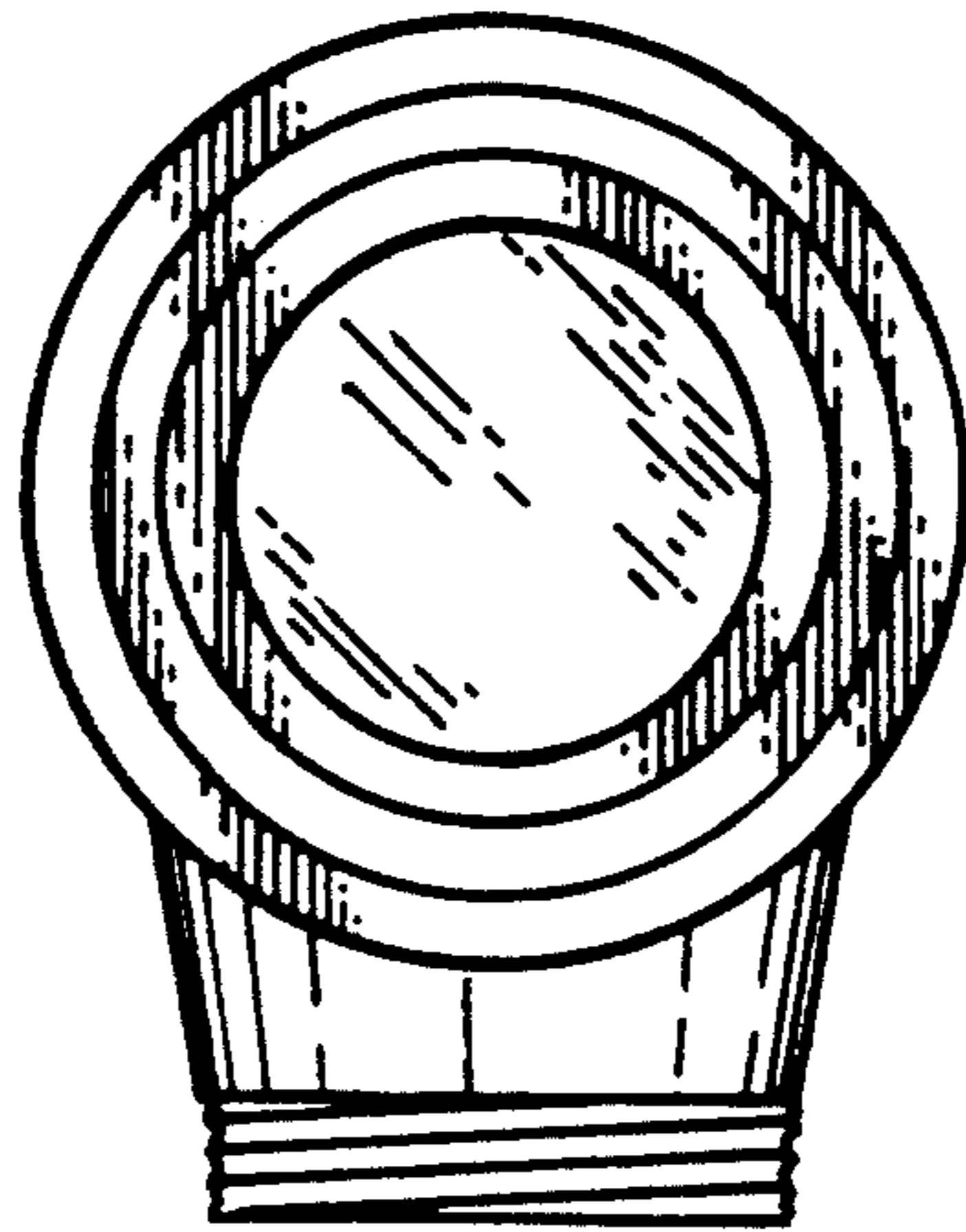


FIG. 2

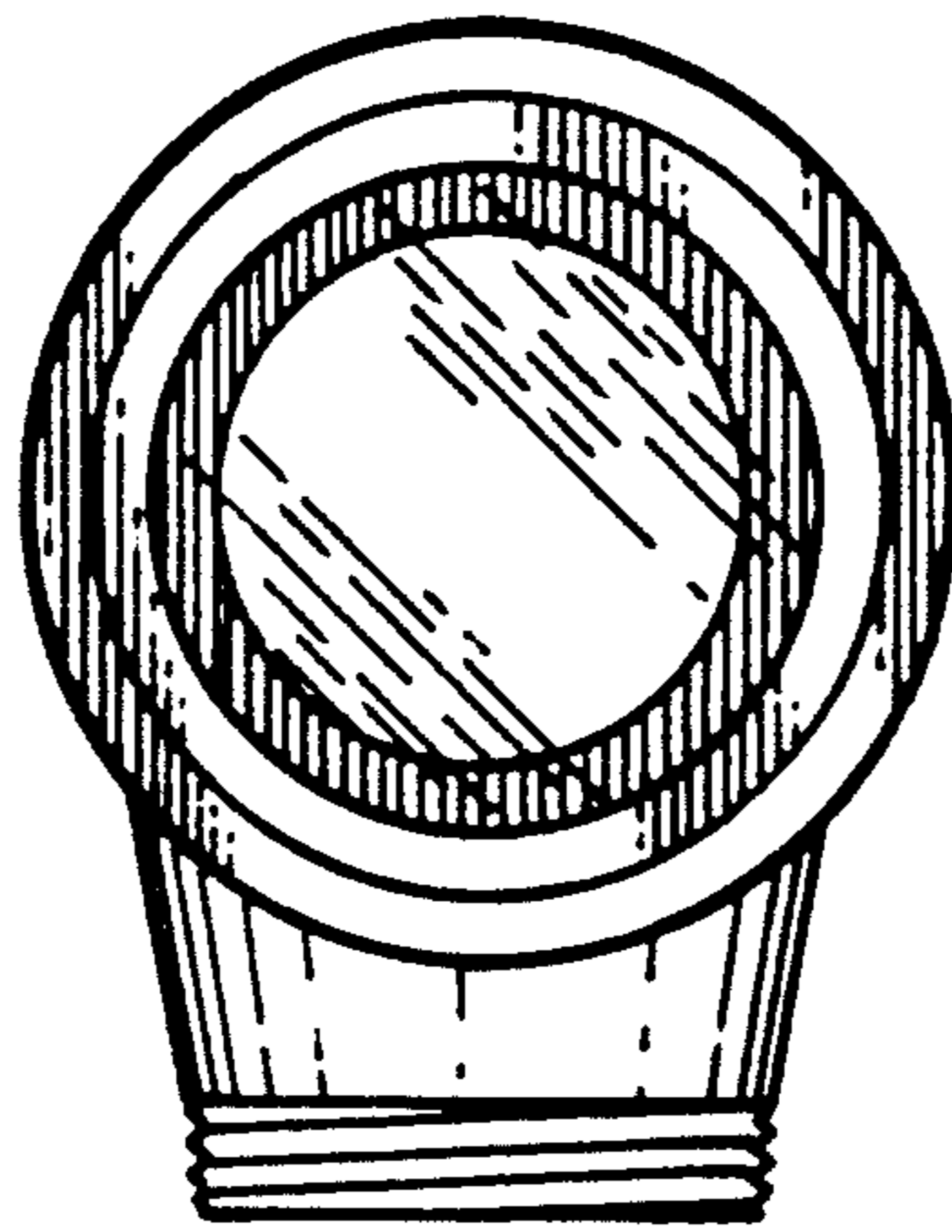


FIG. 3

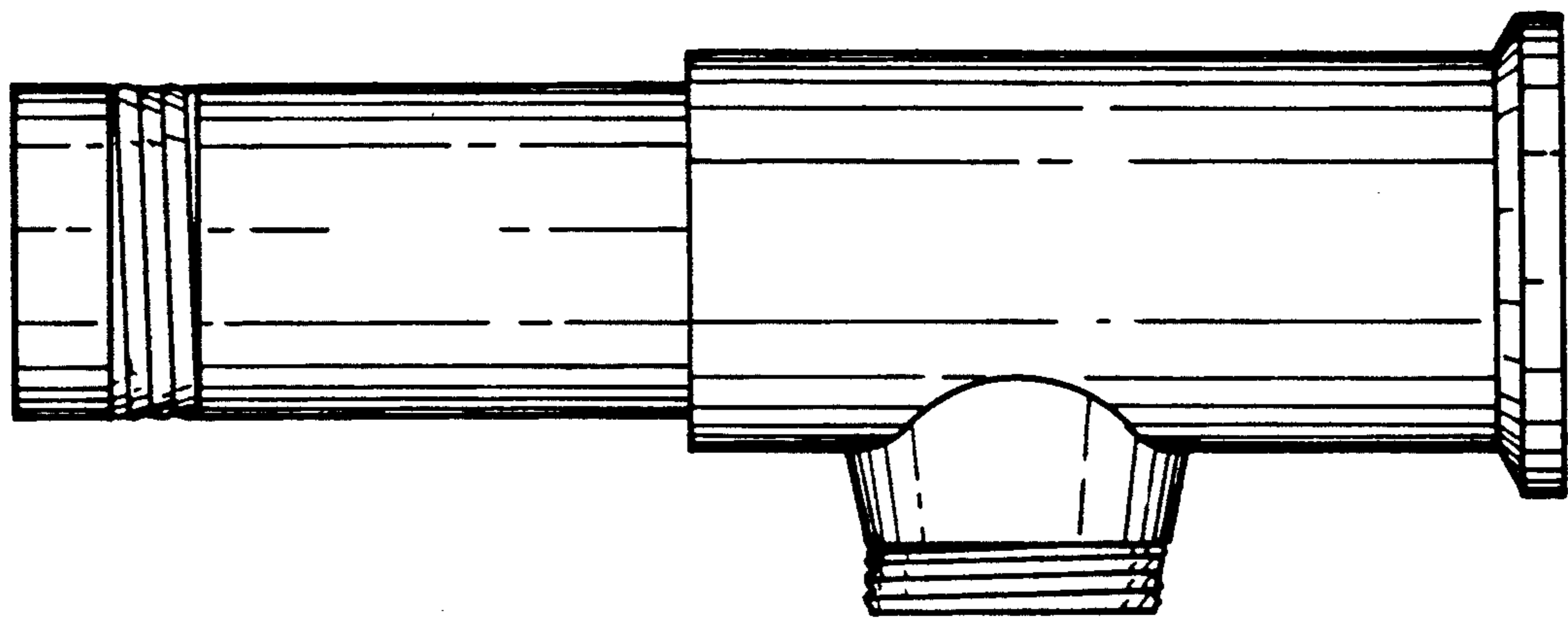


FIG. 4

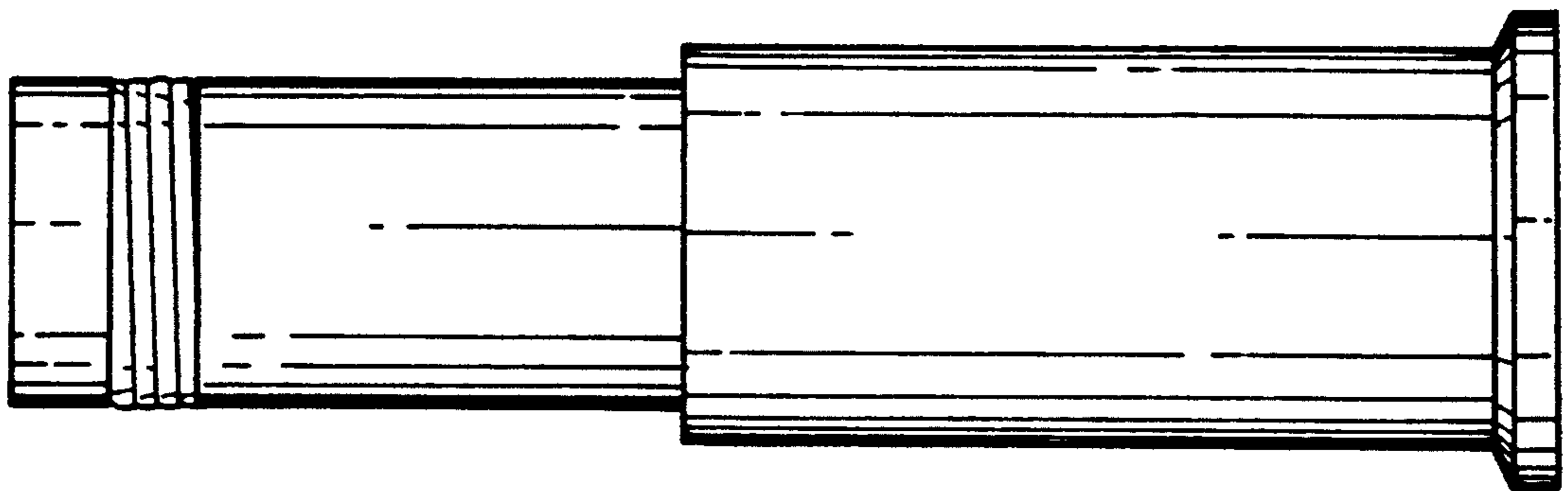


FIG. 5

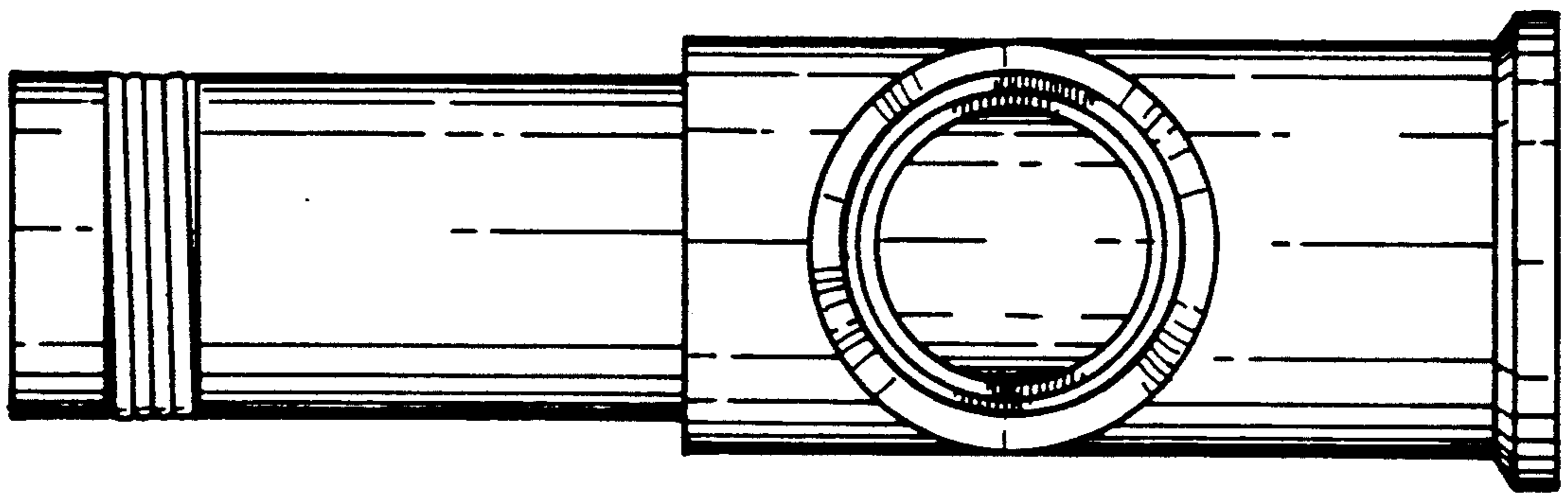


FIG. 6