



US00D342747S

United States Patent [19]

[11] Patent Number: **Des. 342,747**

Garcia

[45] Date of Patent: **** Dec. 28, 1993**

[54] WORK HOLDING JIG

[75] Inventor: **Jaime E. Garcia**, Wexford, Pa.

[73] Assignee: **Delta International Machinery Corp.**, Pittsburgh, Pa.

[**] Term: **14 Years**

[21] Appl. No.: **934,969**

[22] Filed: **Aug. 25, 1992**

[52] U.S. Cl. **D15/140**

[58] Field of Search **D15/138, 140, 199; 29/822; 269/42, 56, 57, 108, 109**

[56] References Cited

U.S. PATENT DOCUMENTS

1,730,510 10/1929 Jensen 269/42

Primary Examiner—Alan P. Douglas

Assistant Examiner—Antoine D. Davis

Attorney, Agent, or Firm—Kirkpatrick & Lockhart

[57] CLAIM

The ornamental design for the work holding jig, as shown.

DESCRIPTION

FIG. 1 is an isometric view of the work holding jig constructed according to the present invention with the moveable members in one position;

FIG. 2 is a front elevational view of the work holding jig illustrated in FIG. 1;

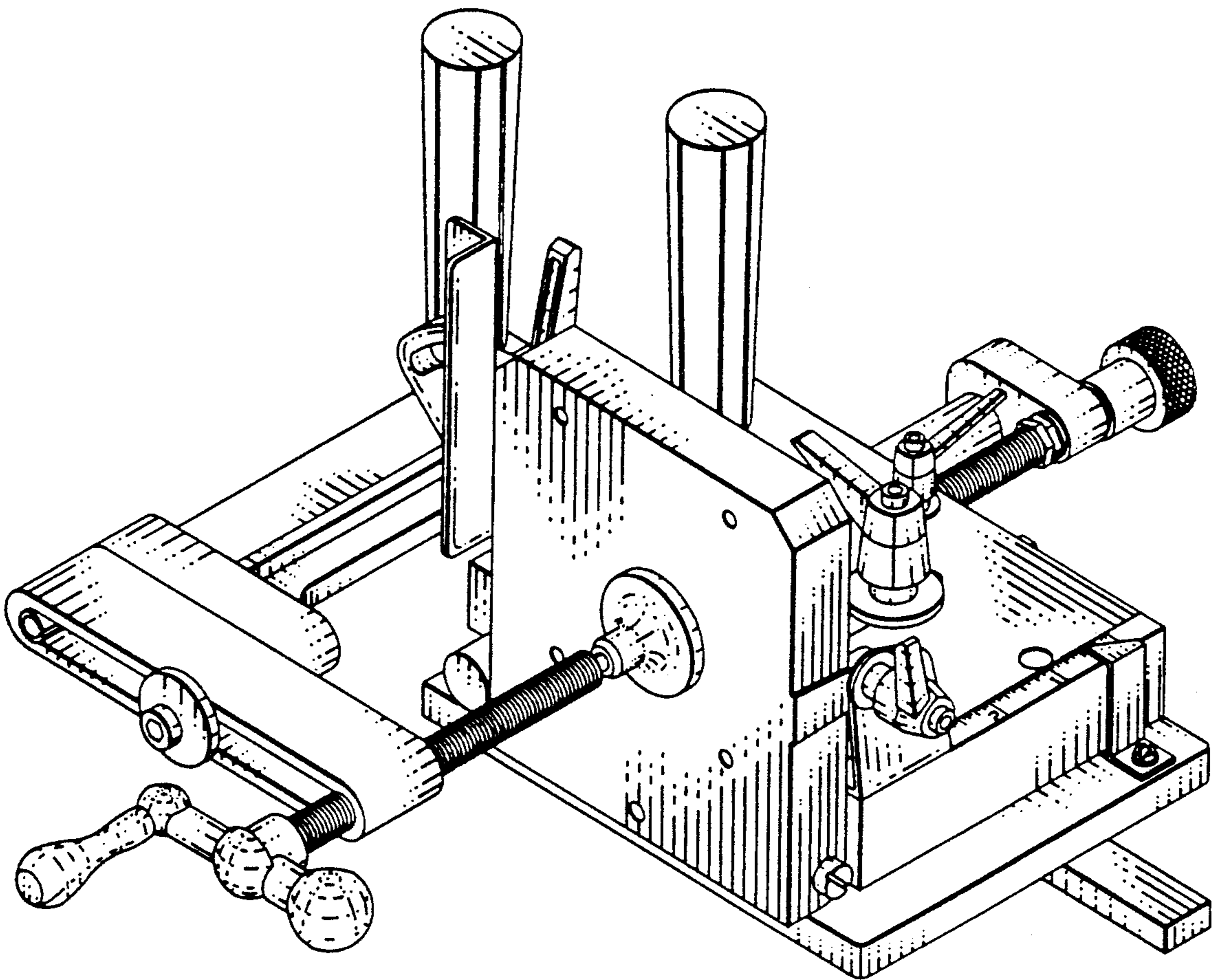
FIG. 3 is a rear elevational view of the work holding jig illustrated in FIG. 1;

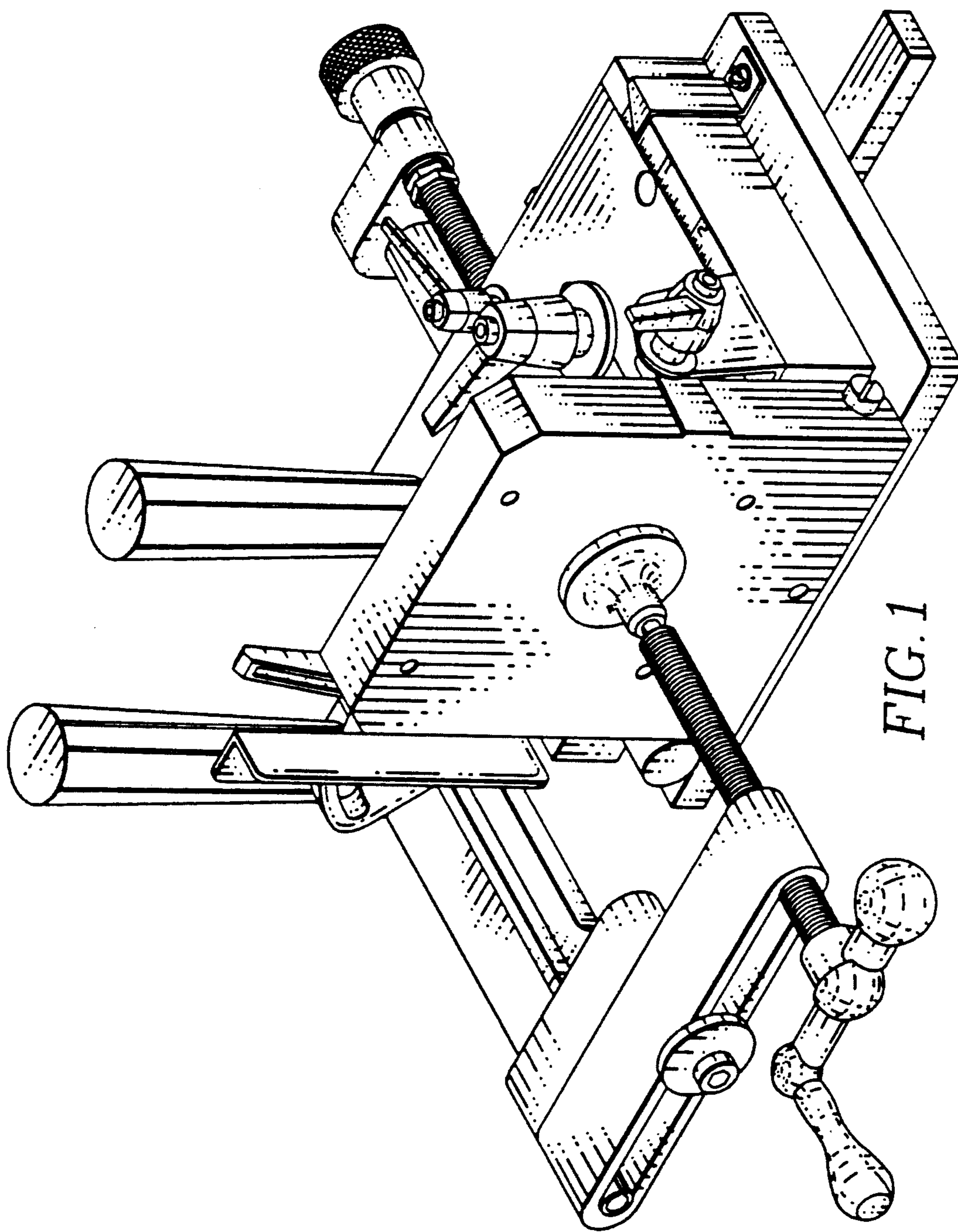
FIG. 4 is a right side elevational view of the work holding jig illustrated in FIG. 1;

FIG. 5 is a left side elevational view of the work holding jig illustrated in FIG. 1;

FIG. 6 is a top view of the work holding jig illustrated in FIG. 1; and,

FIG. 7 is a bottom view of the work holding jig illustrated in FIG. 1.





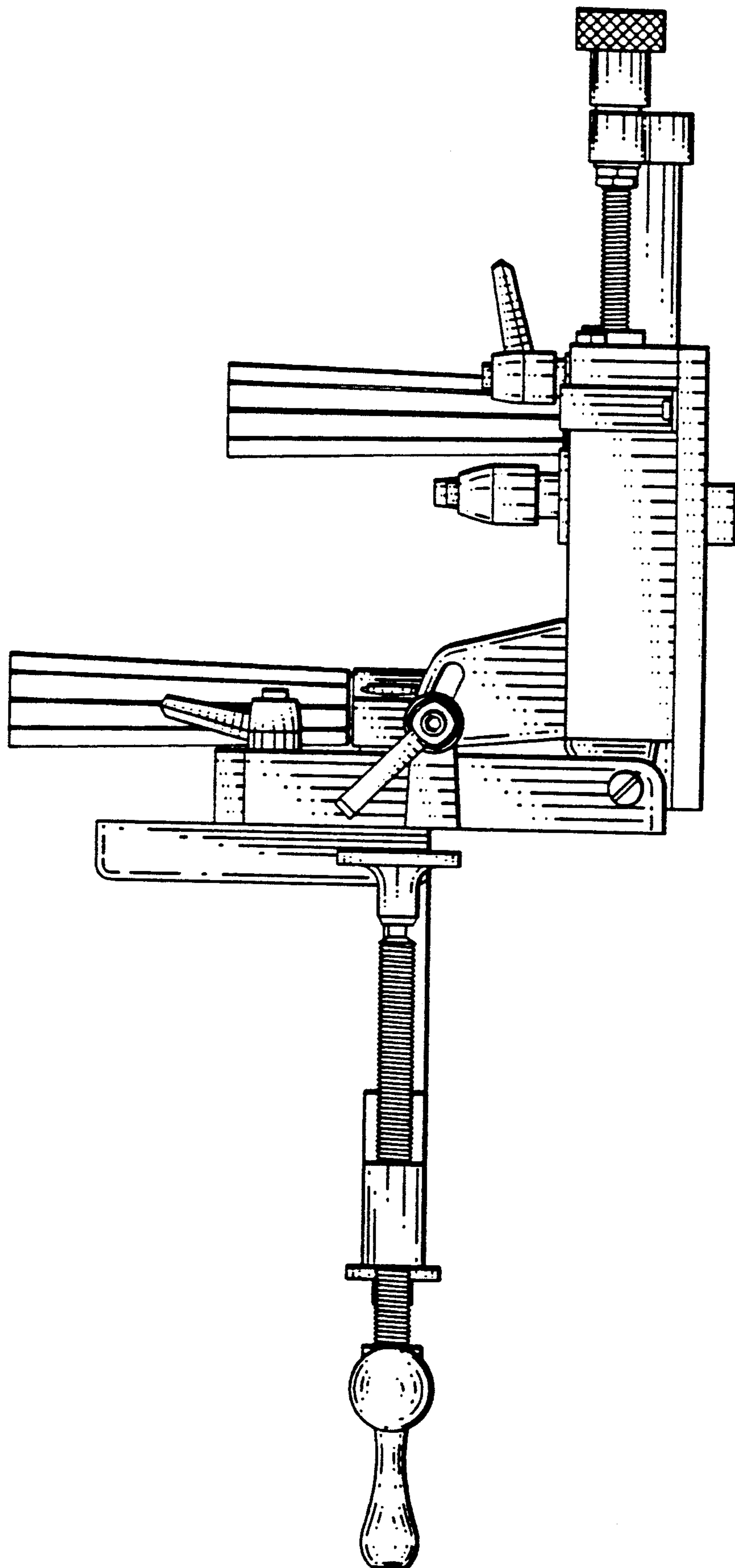


FIG. 2

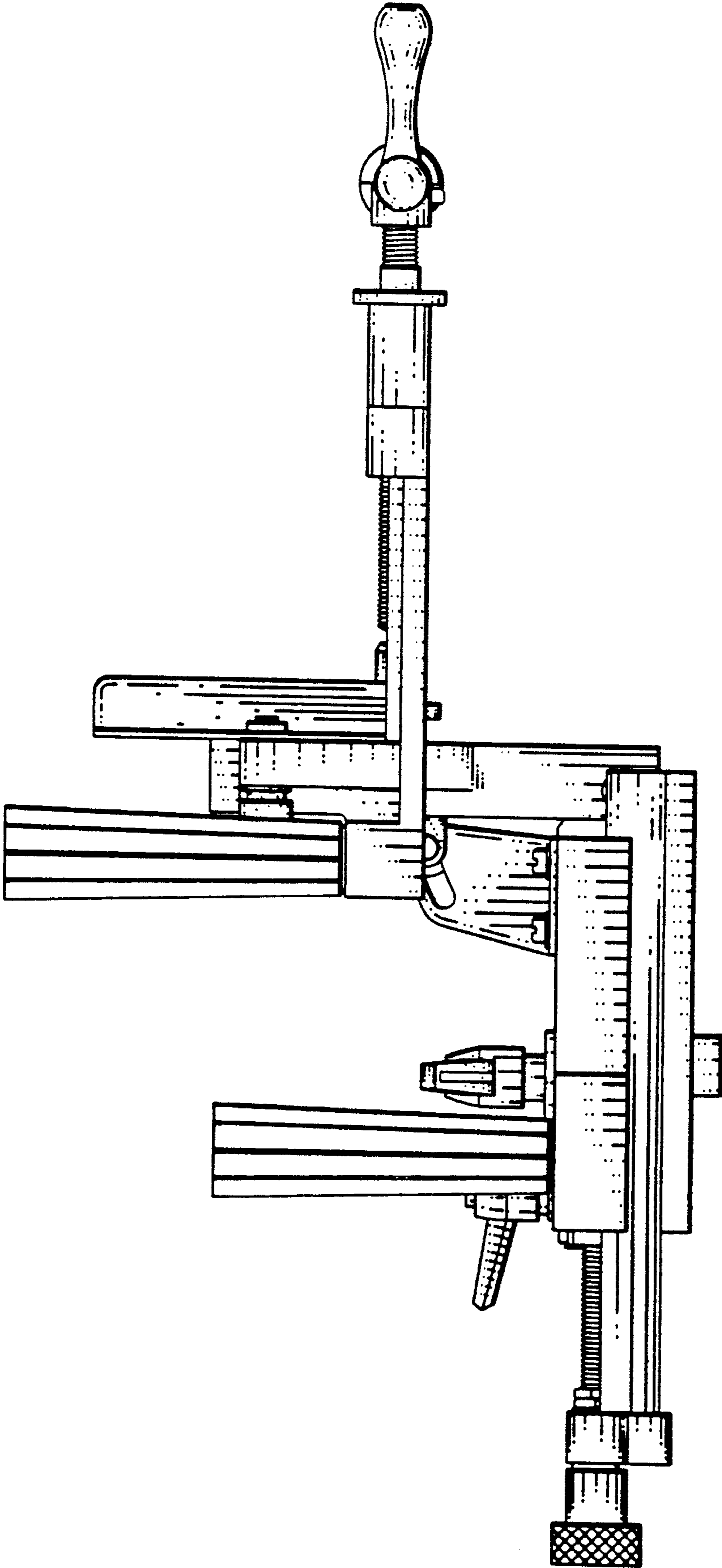


FIG. 3

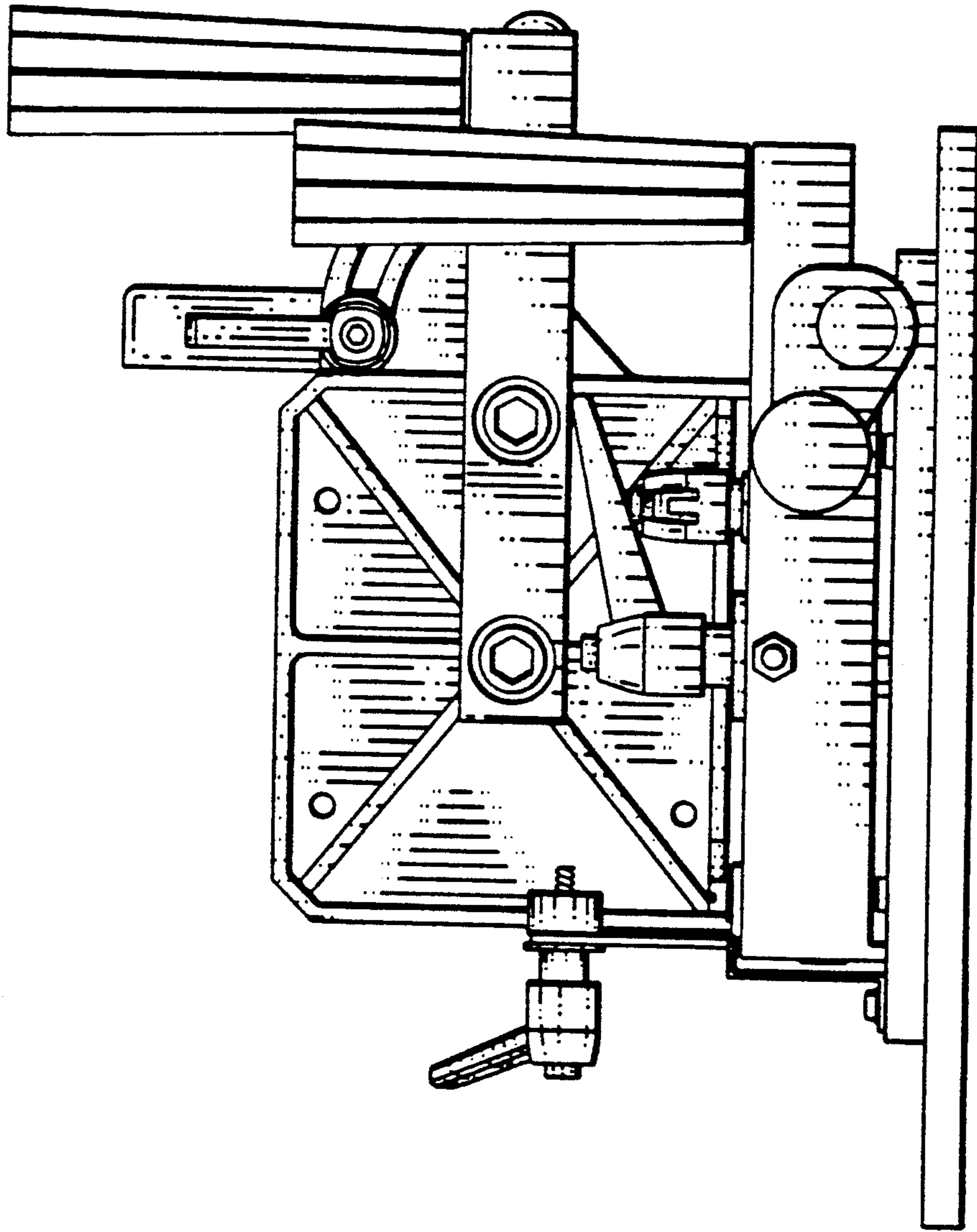


FIG. 4

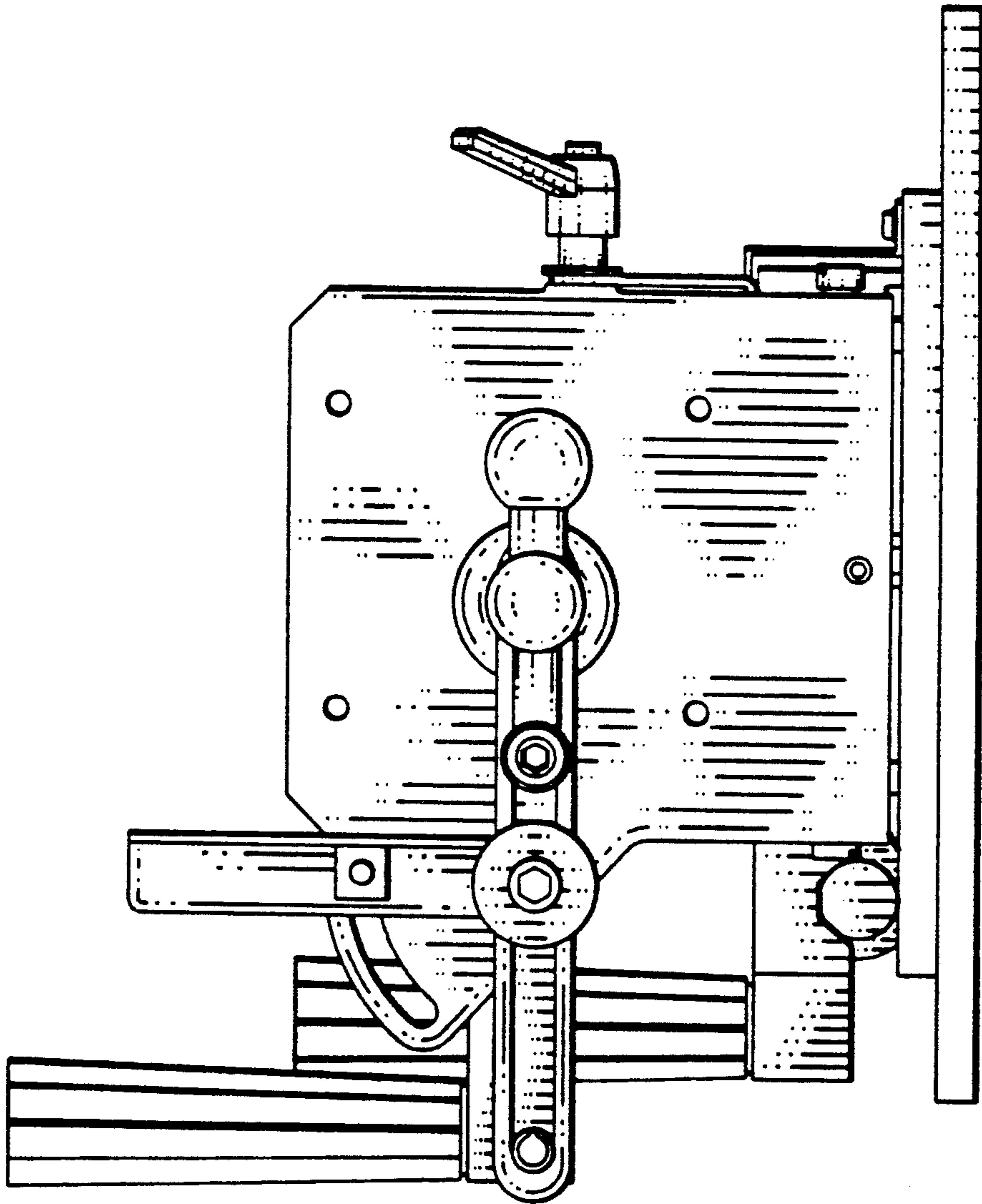


FIG. 5

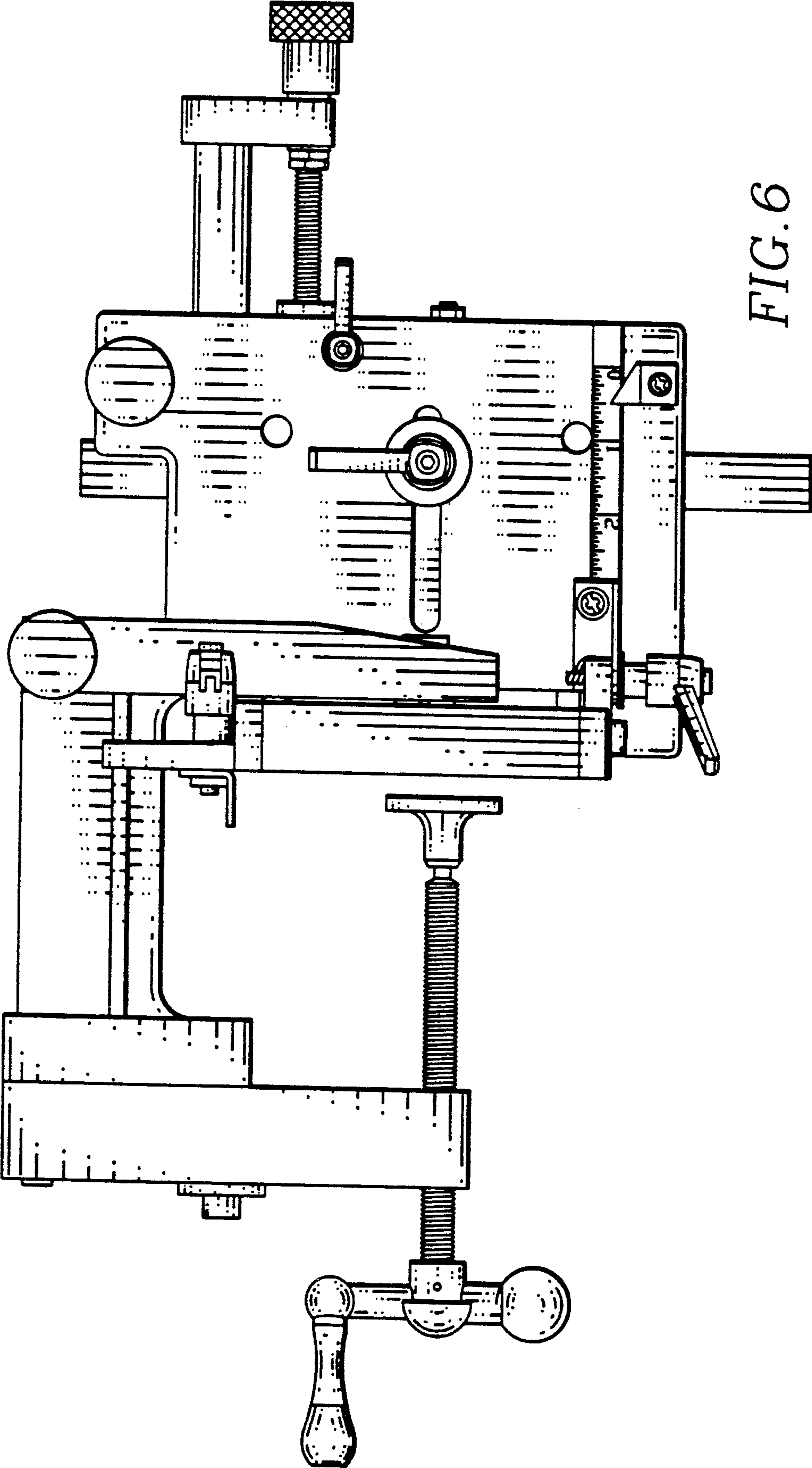


FIG. 6

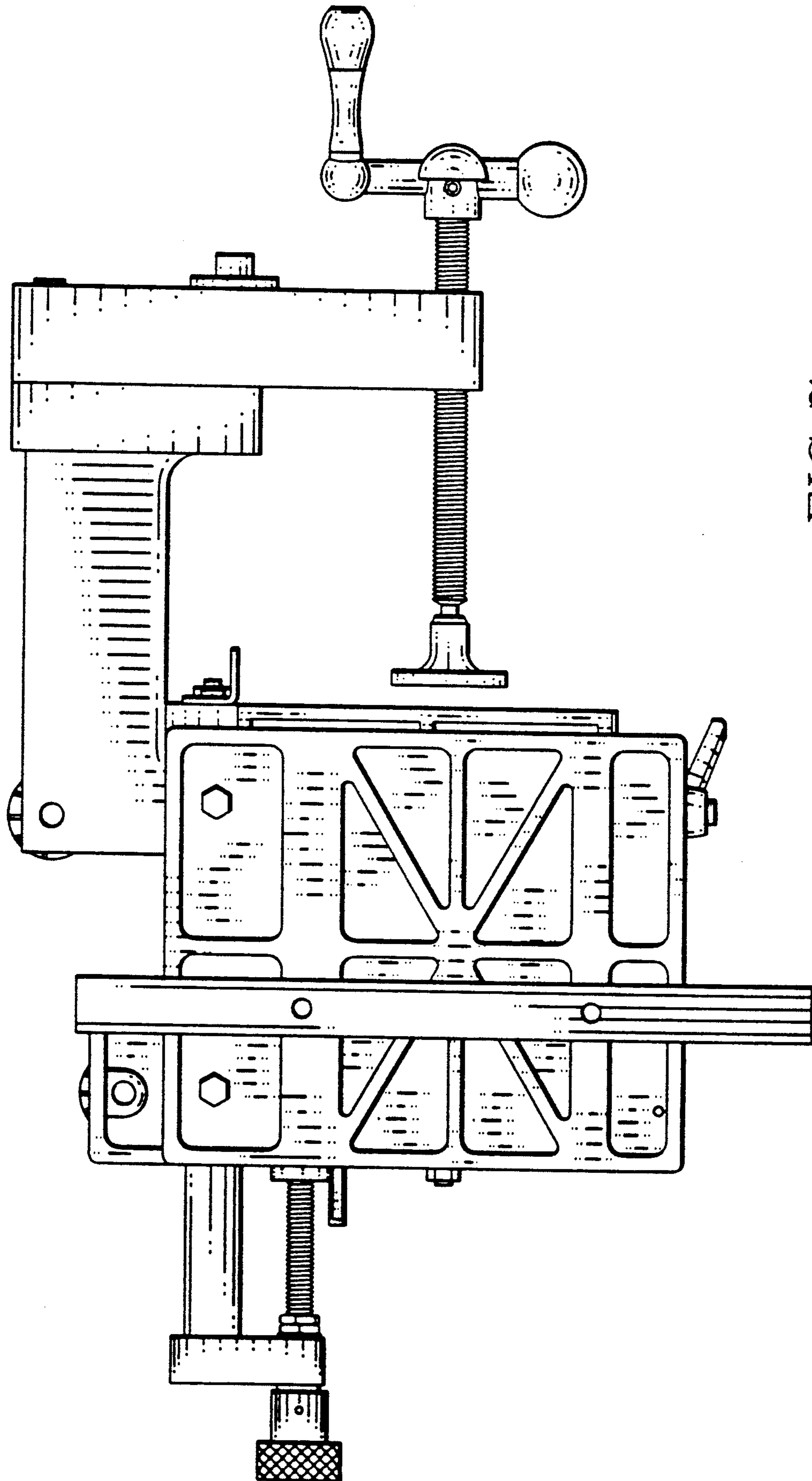


FIG. 7