



US00D342741S

# United States Patent [19]

[11] Patent Number: **Des. 342,741**

Nagele et al.

[45] Date of Patent: **\*\* Dec. 28, 1993**

[54] **RADIO TRANSCEIVER MOUNTING PLATE**

[75] Inventors: **Albert L. Nagele, Wilmette; Daniel J. Replinger, Lake Zurich; Brian D. Kay, Arlington Heights, all of Ill.**

[73] Assignee: **Motorola, Inc., Schaumburg, Ill.**

[\*\*] Term: **14 Years**

[21] Appl. No.: **523,166**

[22] Filed: **May 14, 1990**

[52] U.S. Cl. .... **D14/251**

[58] Field of Search ..... **D14/138, 251, 217; D8/380; 361/417, 418, 427; 379/454**

[56] **References Cited**

**U.S. PATENT DOCUMENTS**

- D. 282,169 1/1986 Larson ..... D14/217
- D. 296,187 6/1988 Mischenko ..... D8/380
- D. 300,429 3/1989 Watanabe ..... D14/138
- D. 301,340 5/1989 Pitkonen ..... D14/138 X

- D. 301,473 6/1989 Rojc ..... D14/138
- D. 309,560 7/1990 Warlick ..... D8/380 X
- D. 312,635 4/1990 Culbertson ..... D14/138
- D. 322,438 12/1991 Skowronski ..... D14/138 X
- 4,681,476 7/1987 Mischenko ..... 403/42
- 5,038,253 8/1991 Replinger ..... 361/417

*Primary Examiner*—James M. Gandy  
*Attorney, Agent, or Firm*—Roland R. Hackbart

[57] **CLAIM**

The ornamental design for a radio transceiver mounting plate, as shown and described.

**DESCRIPTION**

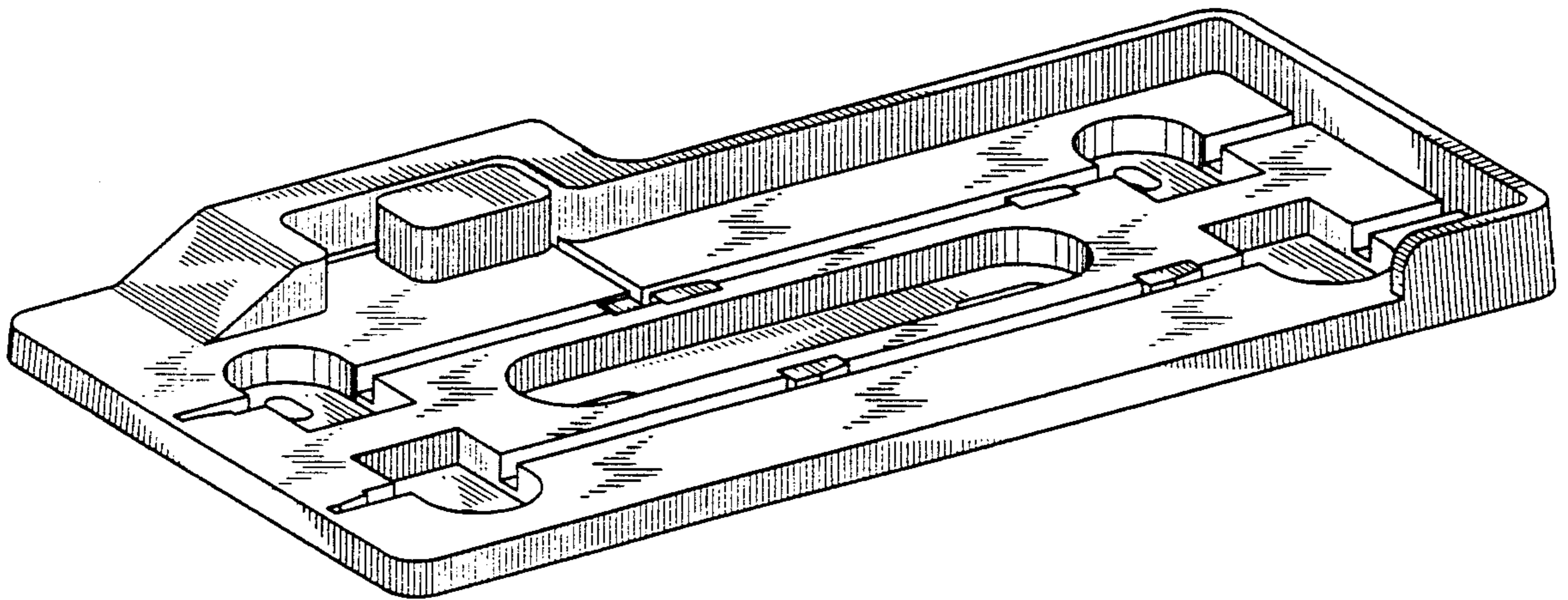
FIG. 1 is a front, top and right side perspective view of a radio transceiver mounting plate showing our new design;

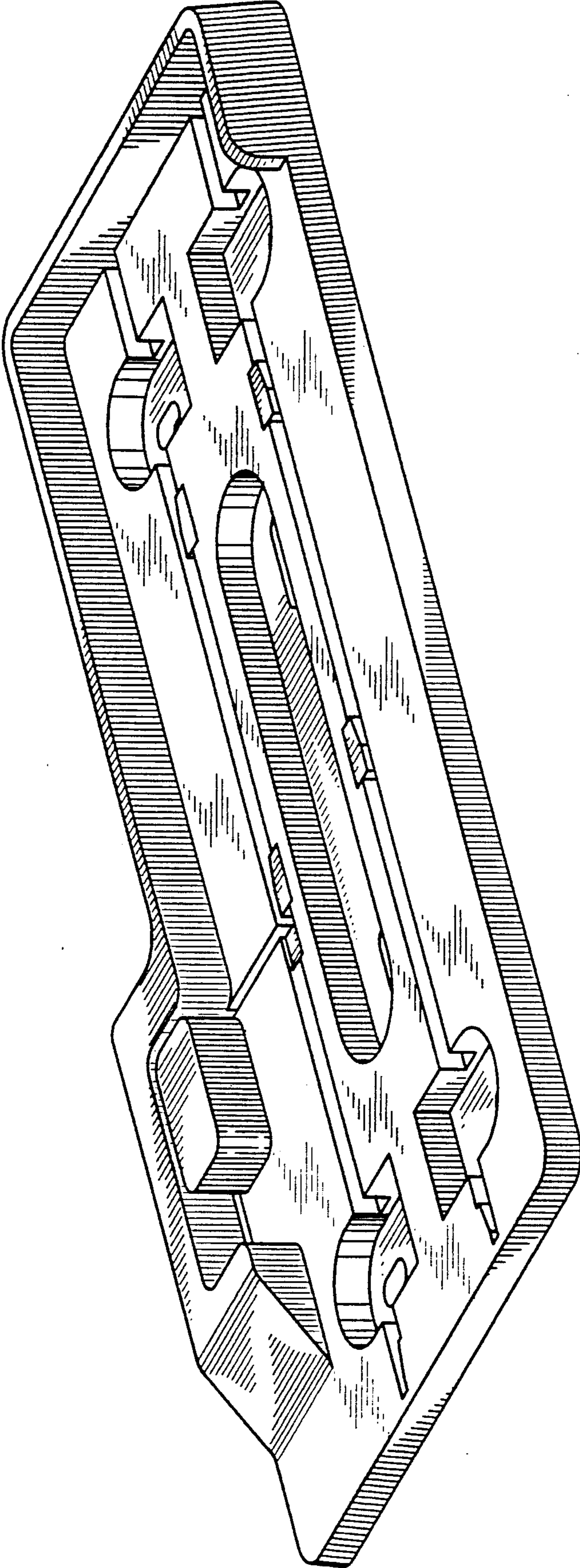
FIG. 2 is a left side elevation view thereof;

FIG. 3 is a rear elevational view thereof;

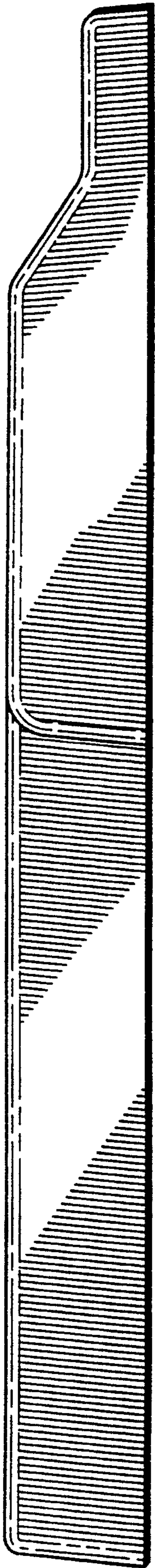
FIG. 4 is a bottom plan view thereof; and,

FIG. 5 is a top plan view thereof.

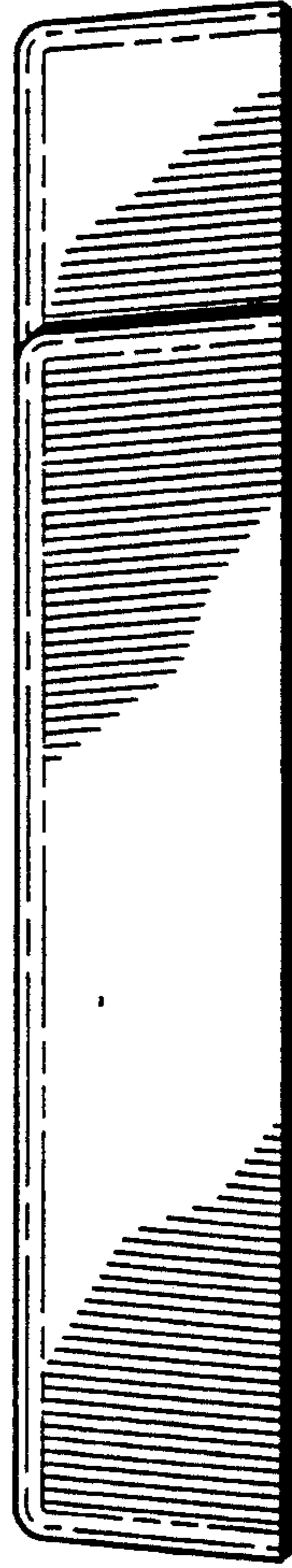




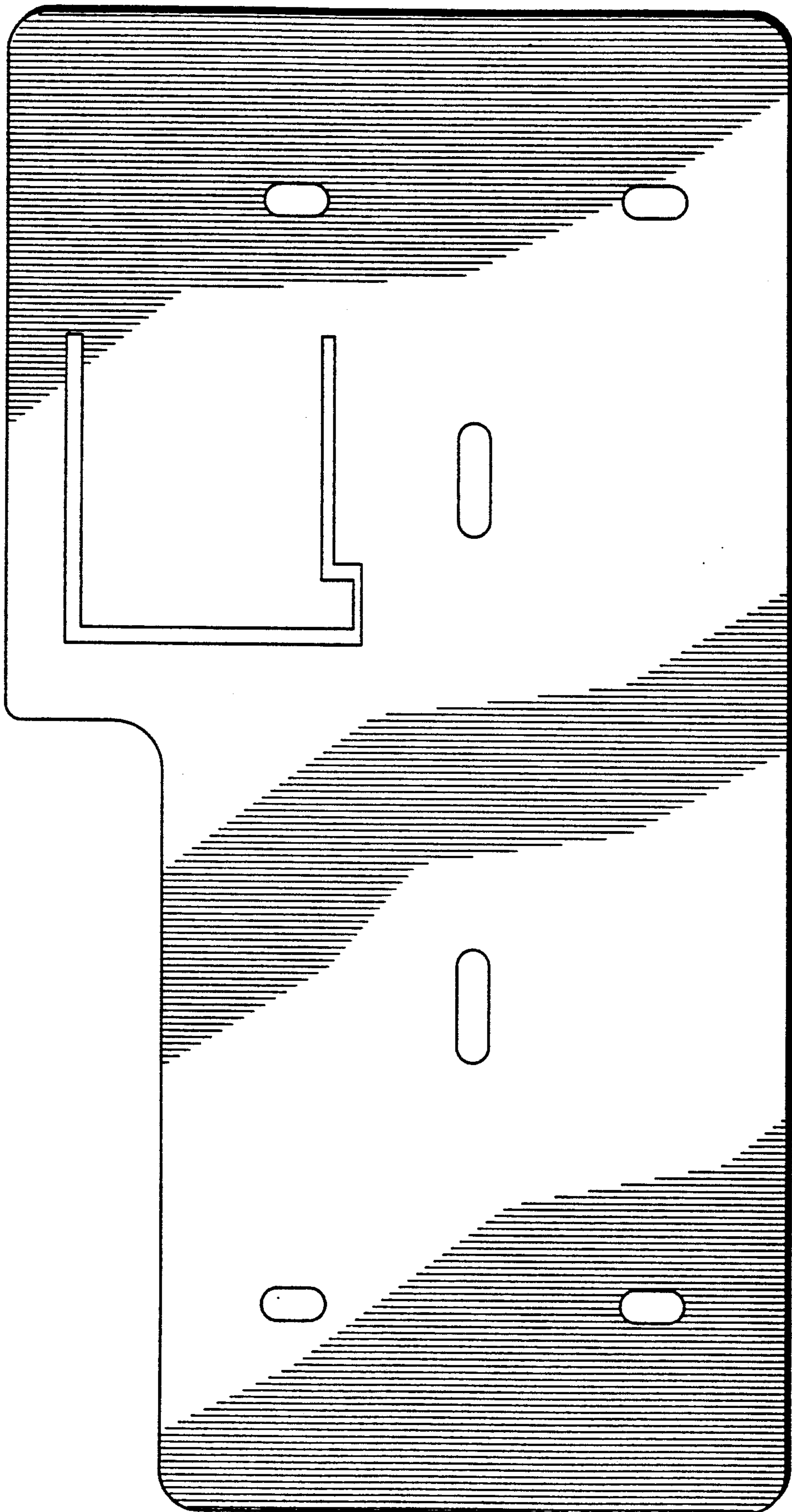
*FIG. 1*



*FIG. 2*



*FIG. 3*



*FIG. 4*

*FIG. 5*

