



US00D342740S

# United States Patent [19]

[11] Patent Number: **Des. 342,740**

**Parker**

[45] Date of Patent: **\*\* Dec. 28, 1993**

[54] **WRIST SUPPORTED REMOTE CONTROL**

4,977,404 12/1990 Durst .

[76] Inventor: **Gerald Parker, 818 E. College St., Jackson, Tenn. 38301**

5,050,138 9/1991 Yamada et al. .... 368/10

[\*\*] Term: **14 Years**

### OTHER PUBLICATIONS

Hong Kong Enterprise, Nov. 1988, p. 379, top-universal remote control.

[21] Appl. No.: **873,057**

*Primary Examiner*—Theodore M. Shooman  
*Attorney, Agent, or Firm*—Terry M. Gernstein

[22] Filed: **Apr. 24, 1992**

[52] U.S. Cl. .... **D14/218; D11/4**

[58] Field of Search ..... **D14/124, 217, 218, 299; D13/168; D18/6, 7, 11; 455/151.1, 352-355; 358/194.1; D10/31, 32; 368/10; D11/4, 26, 27**

### [57] CLAIM

The ornamental design for a wrist supported remote control, as shown and described.

### [56] References Cited

### DESCRIPTION

#### U.S. PATENT DOCUMENTS

D. 238,293	12/1975	Durante	.....	D11/4
D. 300,831	4/1989	Jenkins et al.	.....	D14/218
D. 301,037	5/1989	Matsuda	.....	D14/218
D. 310,219	8/1990	Carlile	.....	D14/218 X
4,750,118	6/1988	Heitschel	.	
4,847,818	7/1989	Olsen	.....	D10/31 X
4,912,463	3/1990	Li	.	
4,929,949	5/1990	Yamamoto	.	

FIG. 1 is a perspective view of the wrist supported remote control embodying the design of the present invention;

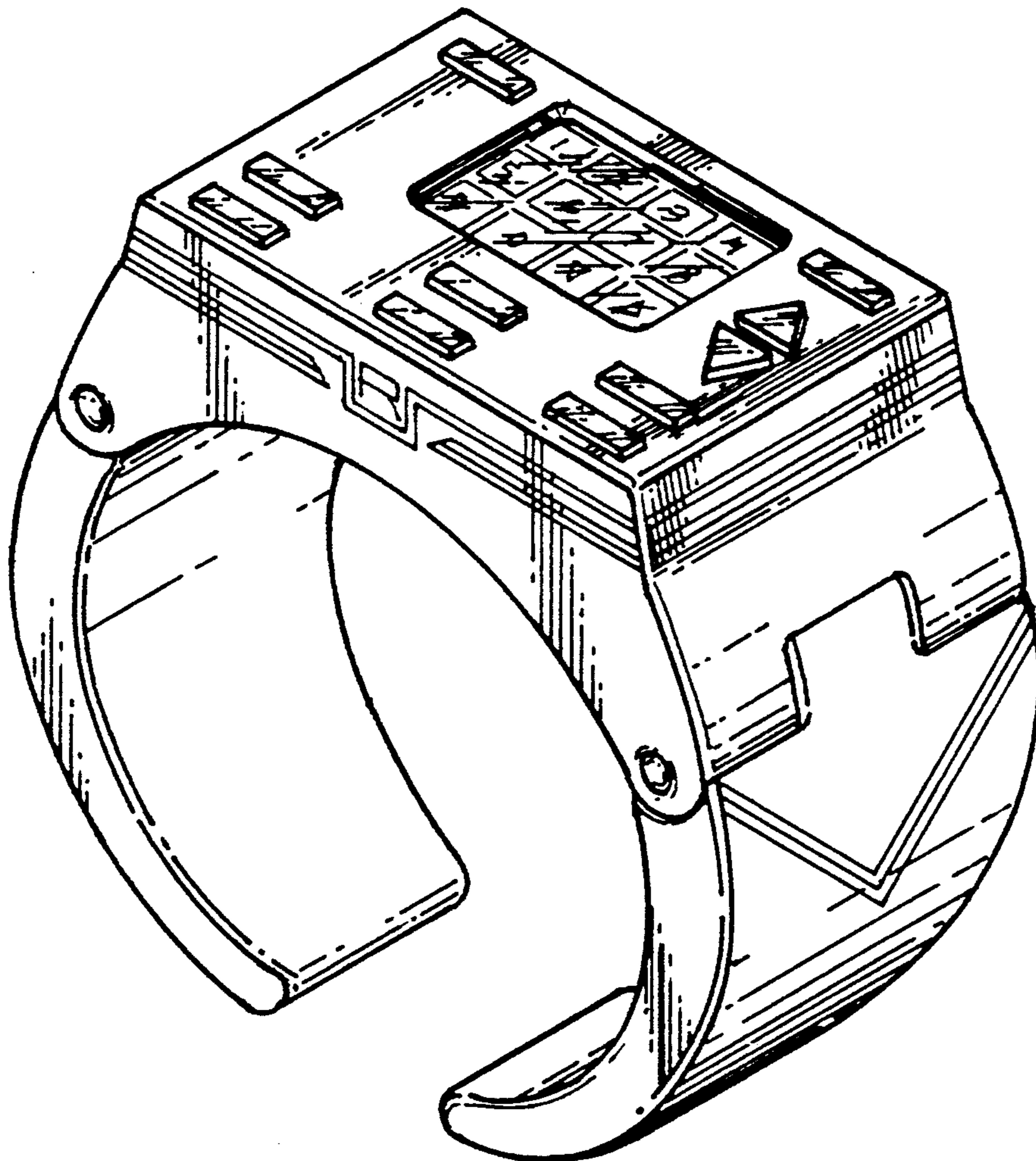
FIG. 2 is a front elevational view thereof;

FIG. 3 is a rear elevational view thereof;

FIG. 4 is a side elevational view thereof, the side opposite being a mirror image of the side shown in FIG. 4;

FIG. 5 is a top plan view thereof; and,

FIG. 6 is a bottom view thereof.



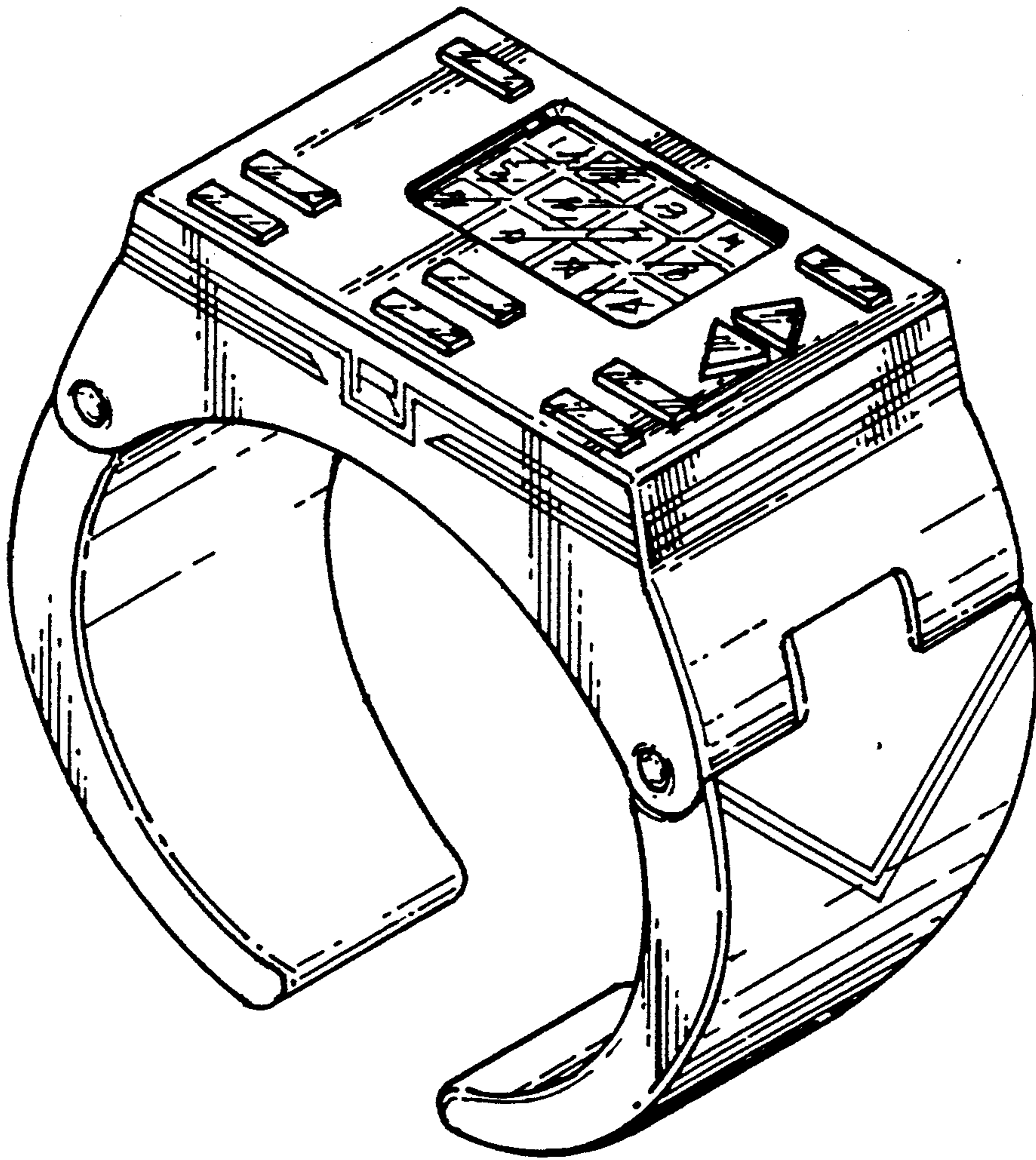


FIG. 1

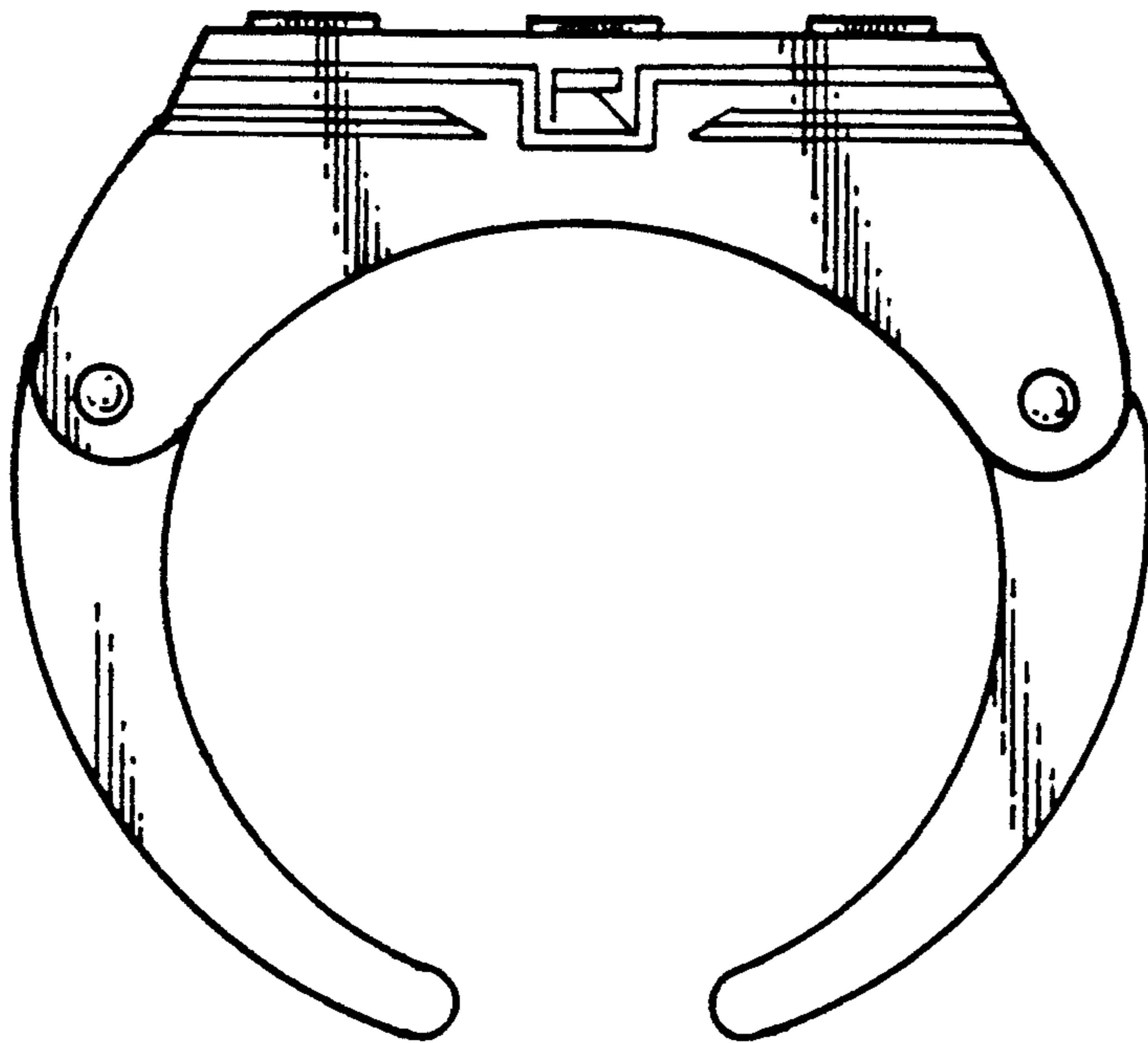


FIG. 2

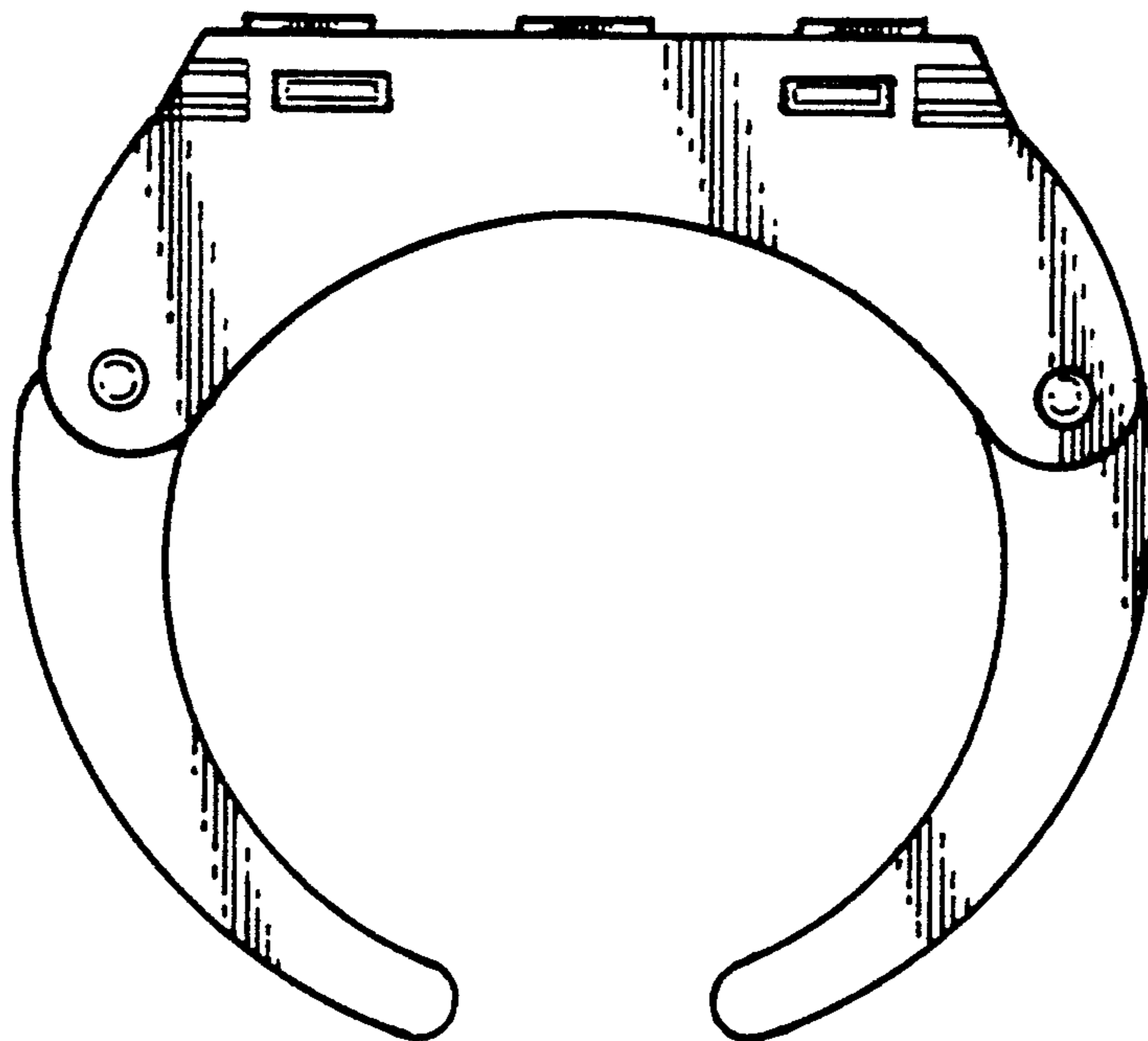


FIG. 3

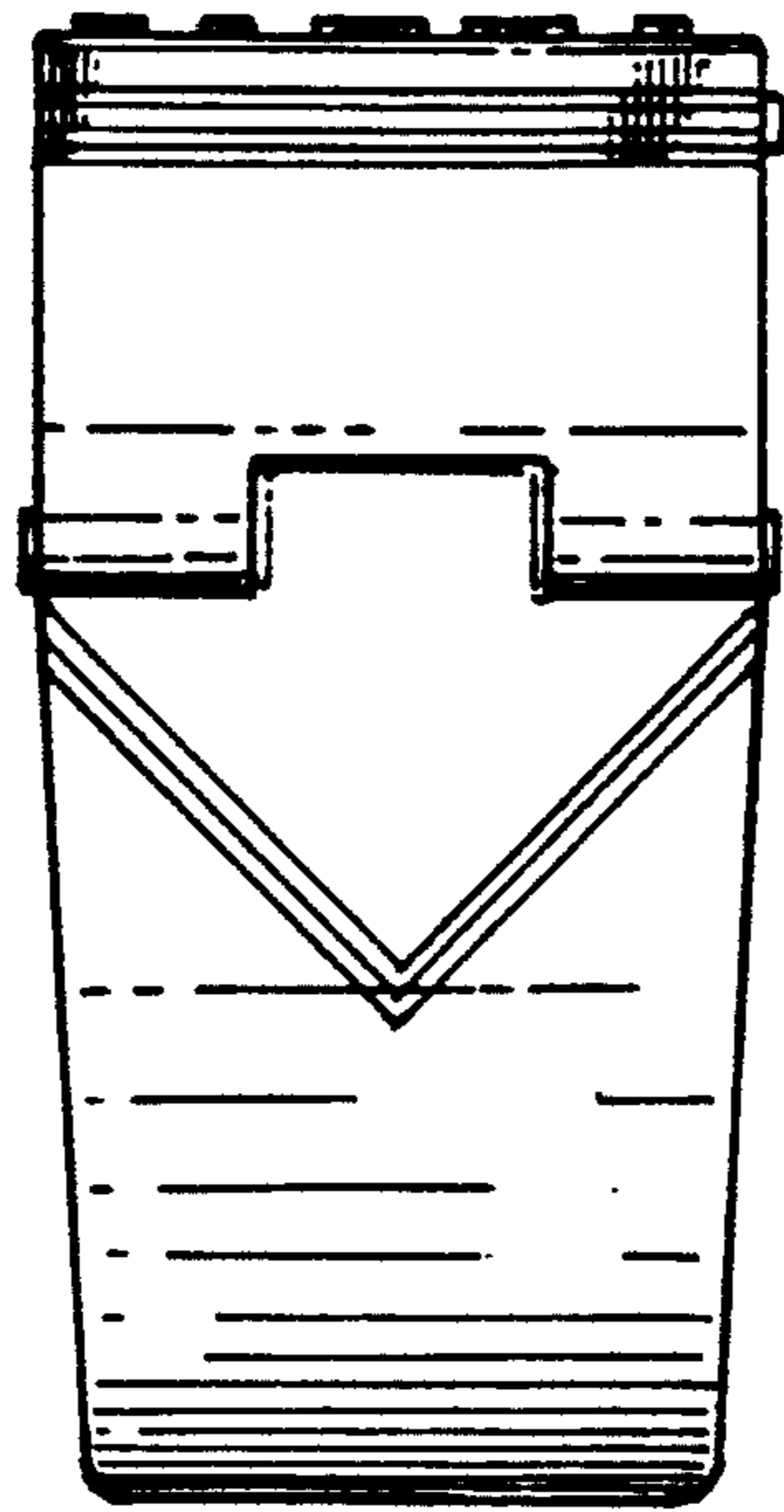


FIG. 4

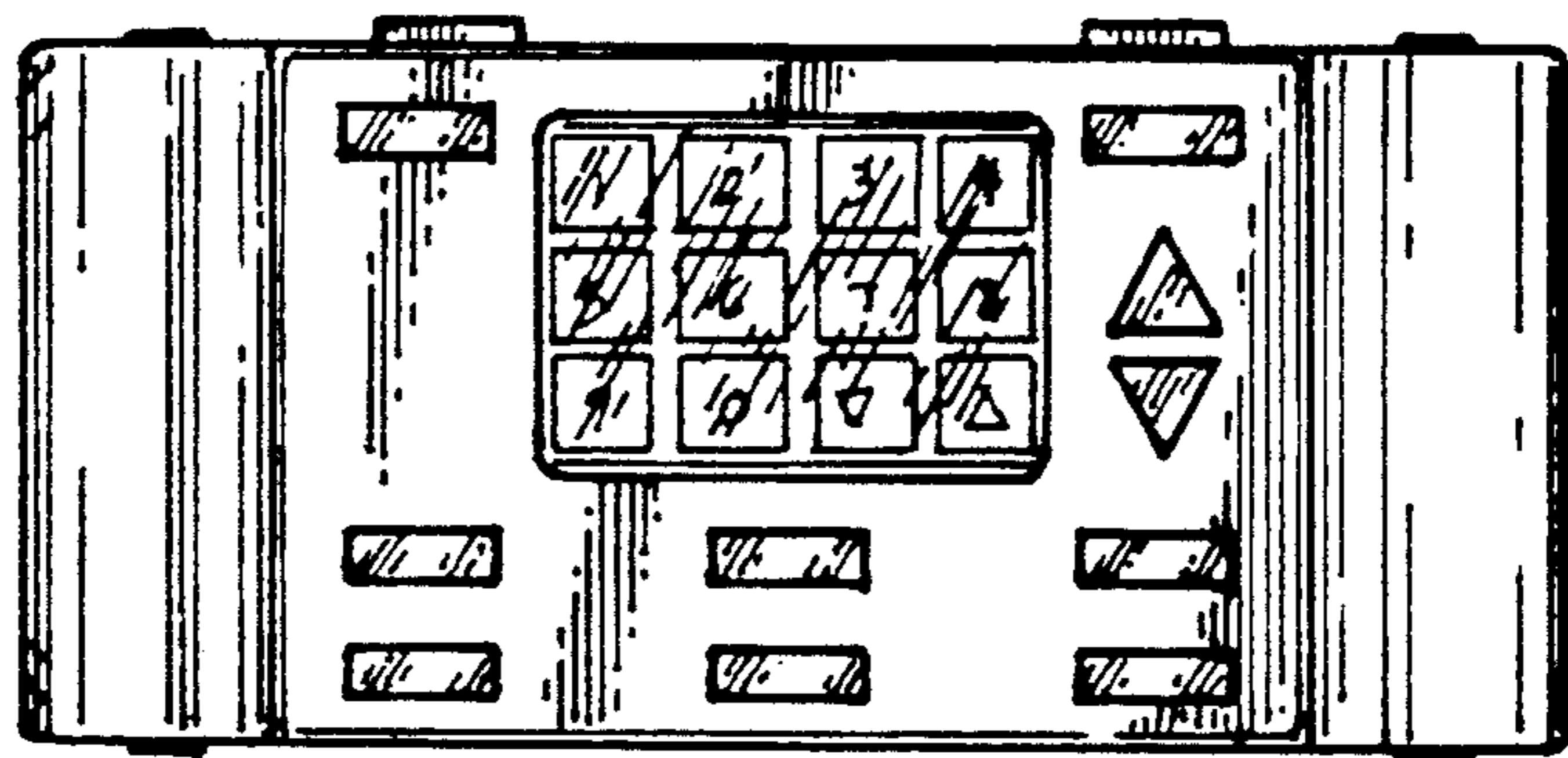


FIG. 5

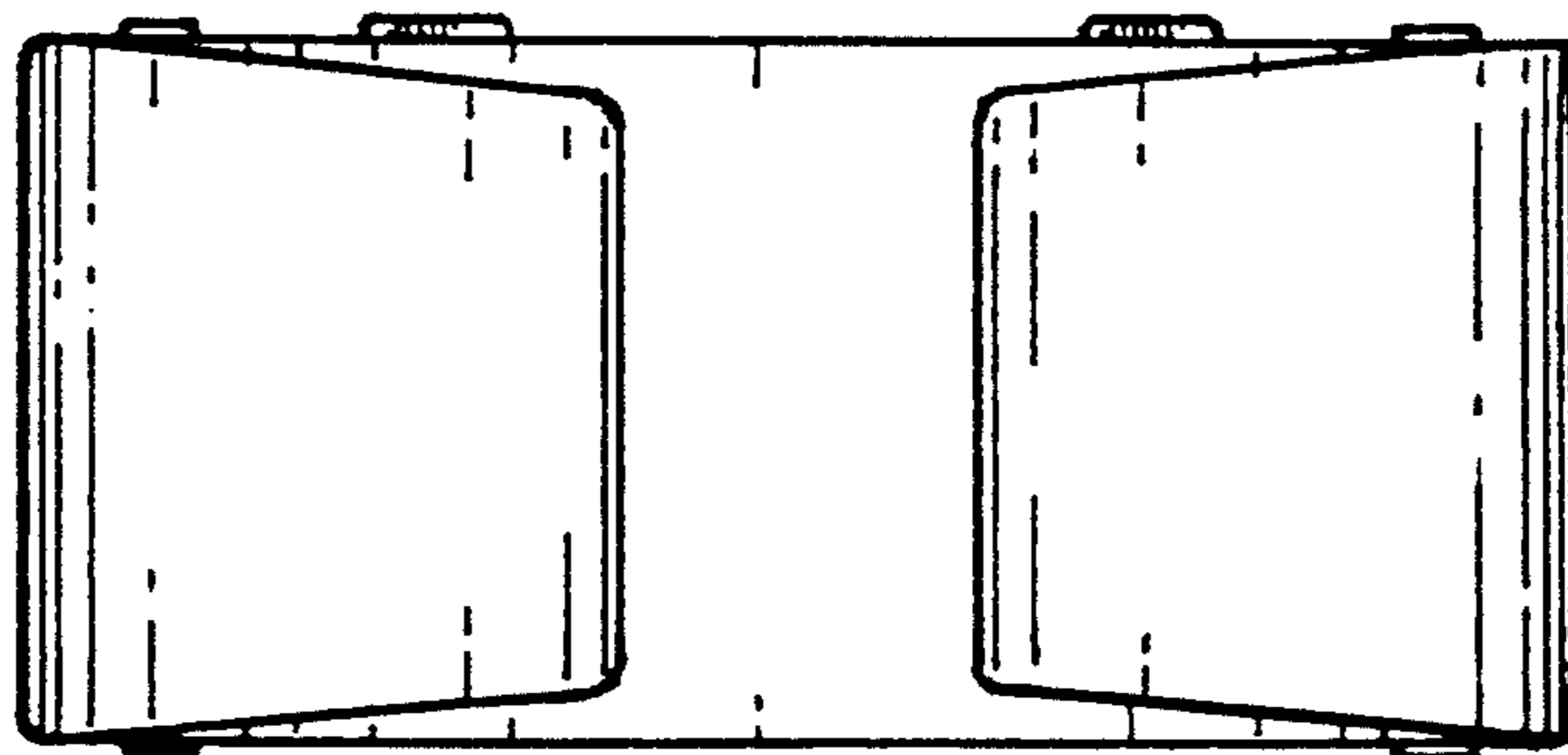


FIG. 6